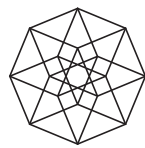


Sliding Shower Door /8mm Installation Instructions



AMLUXX

Size: 60"x78"

- Please read these instructions in full before installing


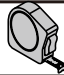

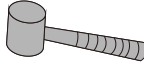






IMPORTANT

- Check that the tray has been installed to the manufacturer's instructions.
Please note - All product is supplied without a tray.
- Opening wall adjustments = (58.03"-60")x78"

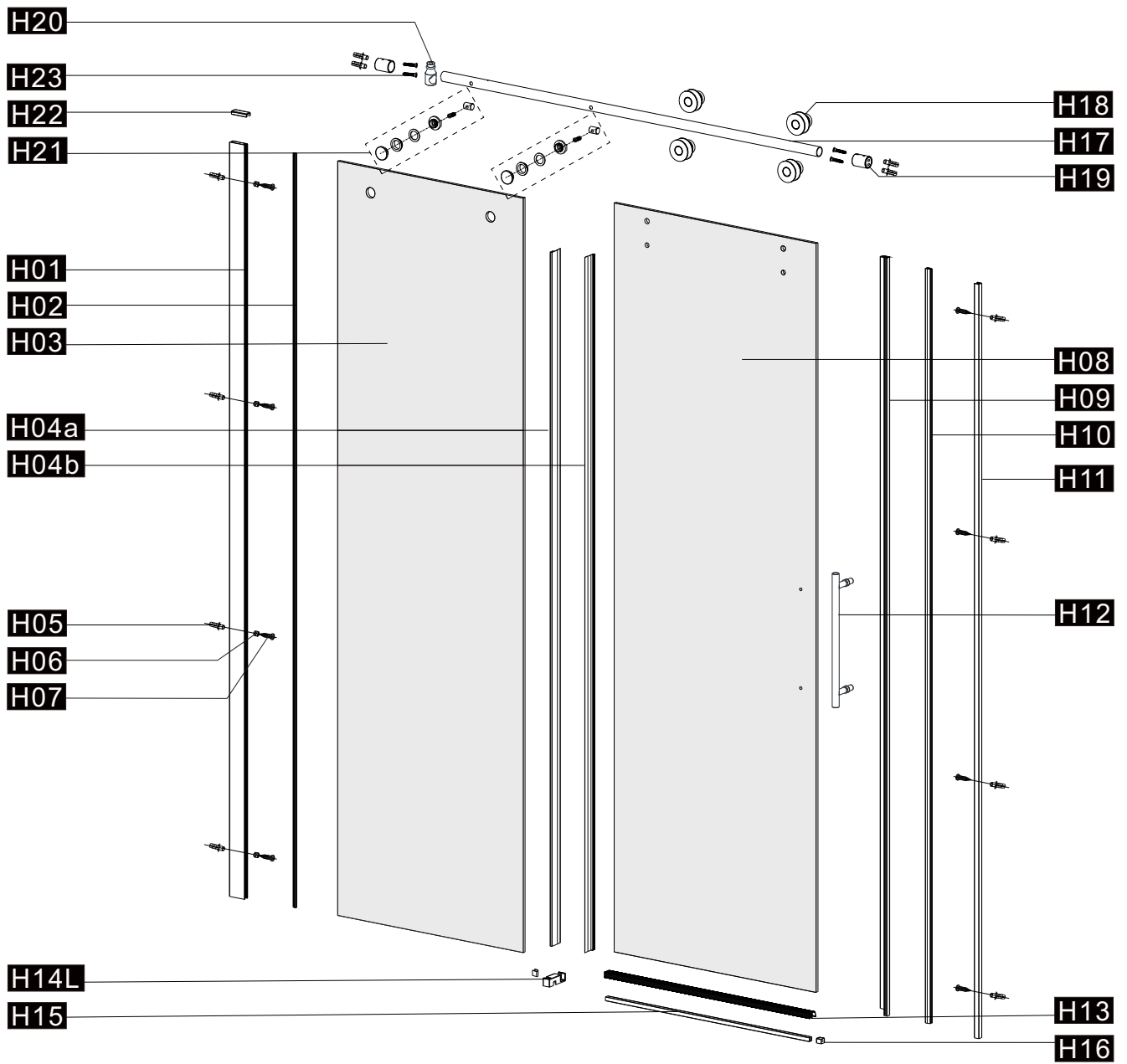
GENERAL SAFETY INSTRUCTIONS

- Do not fix the wall profile to newly plastered, painted or papered walls as chemical reaction may cause discolouration to the surface finish.
- Important: The wall plugs included in this pack are for solid walls only. If the product is to be mounted on a partition or stud wall, specialised fixings should be purchased separately.
- Fixing tips; A piece of insulating tape or a couple of layers of masking tape applied to the wall before marking out the fixing holes will help stop the drill from wandering, particularly on tiled surfaces.
- When working near a basin or bath insert the plug into the waste, this will help you avoid losing small parts. Also take care not to drop accessories or tools onto the bath or basin, use a towel or bathmat to protect delicate surfaces.
- **CAUTION!**
Before drilling into any walls check that there are no hidden cables or pipes. Exercise great care when using power tools near water. The use of a residual current device (RCD) or cordless drill is recommended. Always double check the positioning and measurements before drilling holes.
- This product is heavy and requires two people during lifting and operations.
- Glass is delicate, support on cardboard to minimise risk of damage.

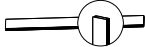




















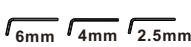



Tools required (not supplied)

Electric drill		Tape measure	
Drill(Ø3.2mm)		Rubber hammer	
Drill(Ø6mm)		Knife	
Cross head screw driver		Pencil	
Spirit level		Silicone sealant	

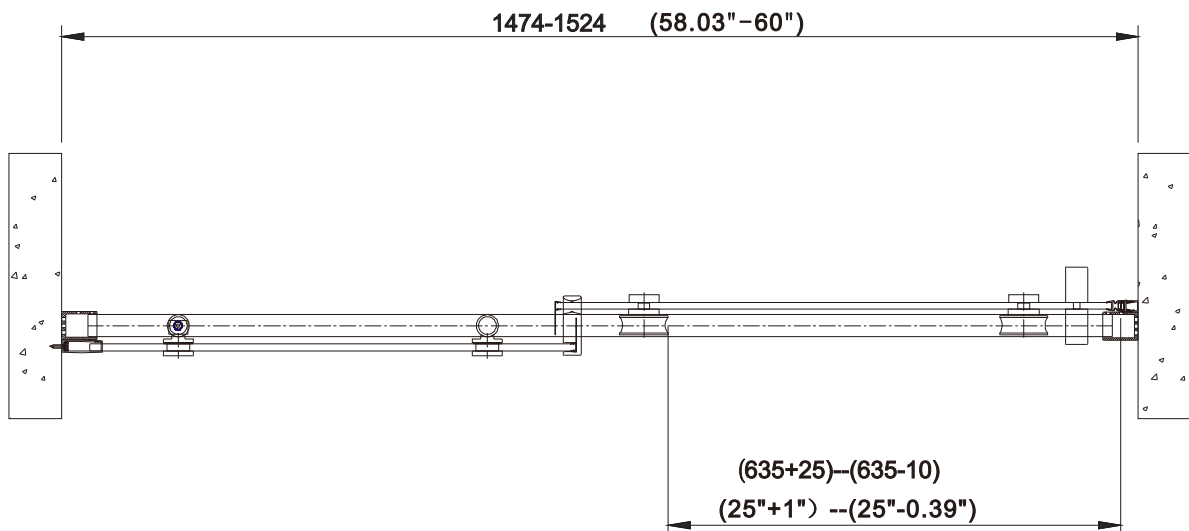
IDENTIFICATION OF PARTS

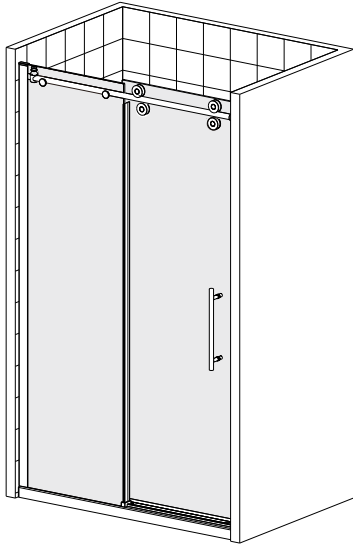


Fixings & fittings supplied

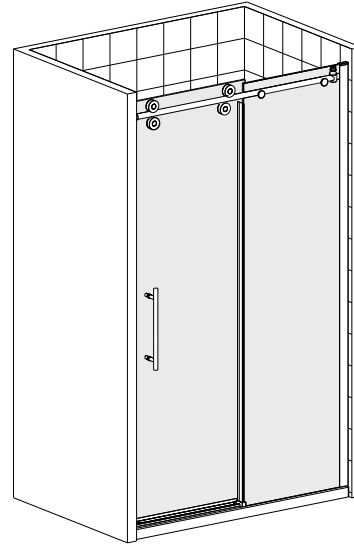
Item No.:	Part	Quantity	Item No.:	Part	Quantity
H01		X 1	H14		X 1
H02		X 1	H15		X 1
H03		X 1	H16		X 1
H04		X 1	H17		X 1
H05		X 12	H18		X 4
H06		X 4	H19		X 2
H07	 ST4X40	X 8	H20		X 1
H08		X 1	H21		X 2
H09		X 1	H22		X 1
H10		X 1	H23	 ST4X30	X 4
H11		X 1	H24	 6mm 4mm 2.5mm	X 1
H12		X 1	H25		X 1
H13		X 1			

Technical drawing





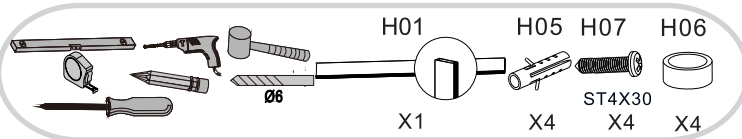
R



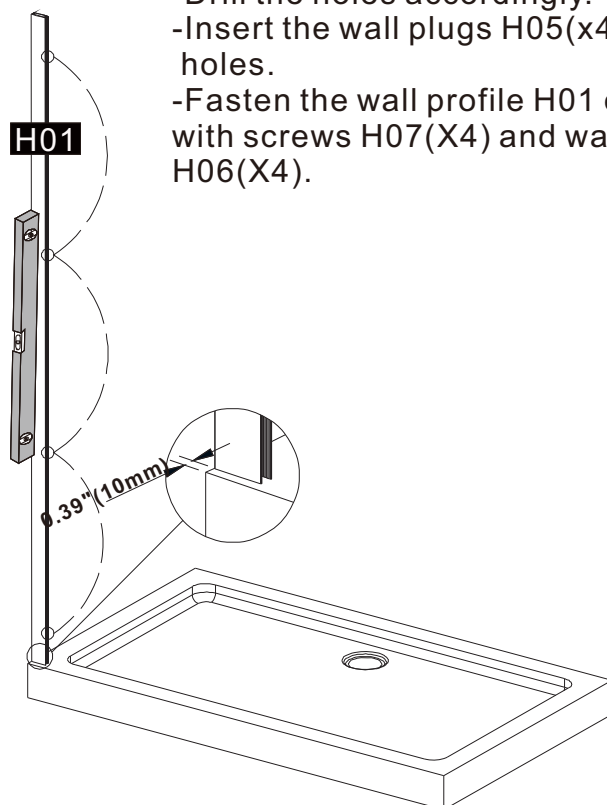
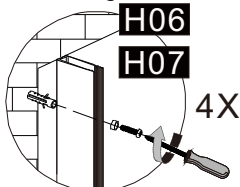
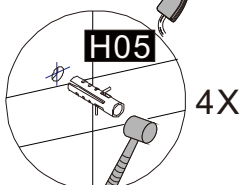
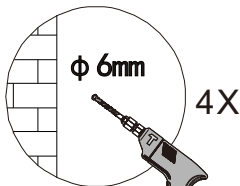
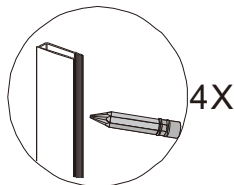
L

Slider is ok to be installed in left and right hand. Below steps are based on right hand. For left hand ,please follow below steps in mirror direction.

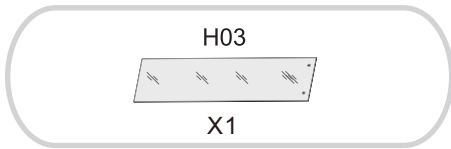
1.



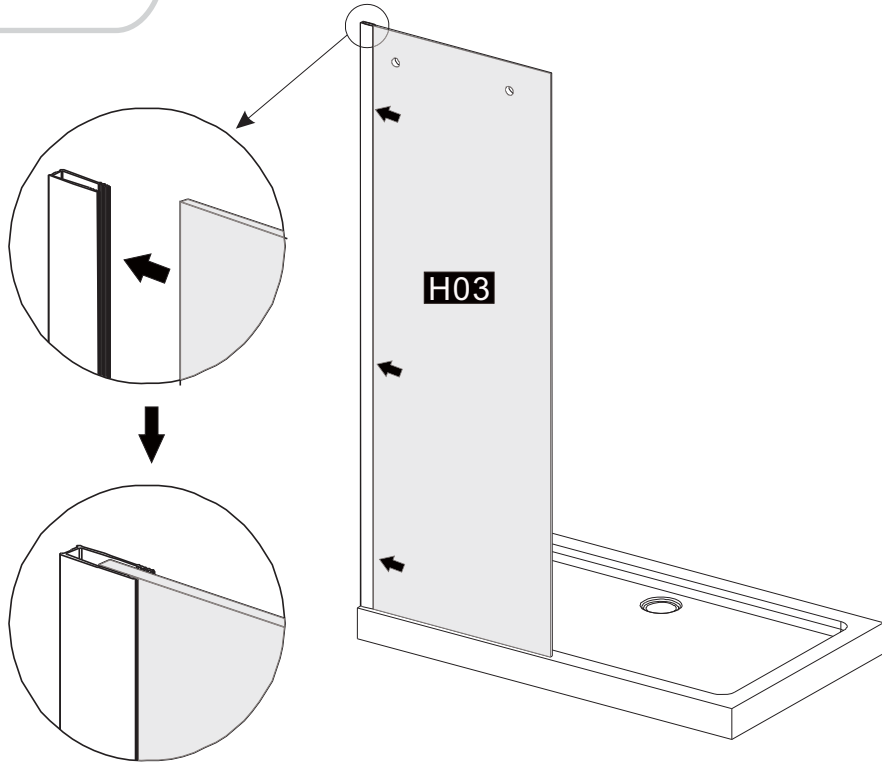
- Put the wall profile H01(X1)against the wall,and ensure it is vertical by spirit level.
- Mark the holes on the wall.
- Drill the holes accordingly.
- Insert the wall plugs H05(x4)into the holes.
- Fasten the wall profile H01 on the wall with screws H07(X4) and washers H06(X4).



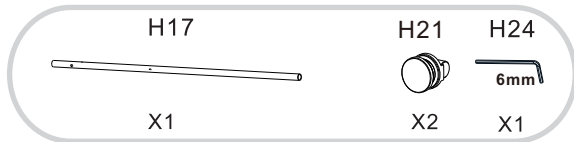
2.



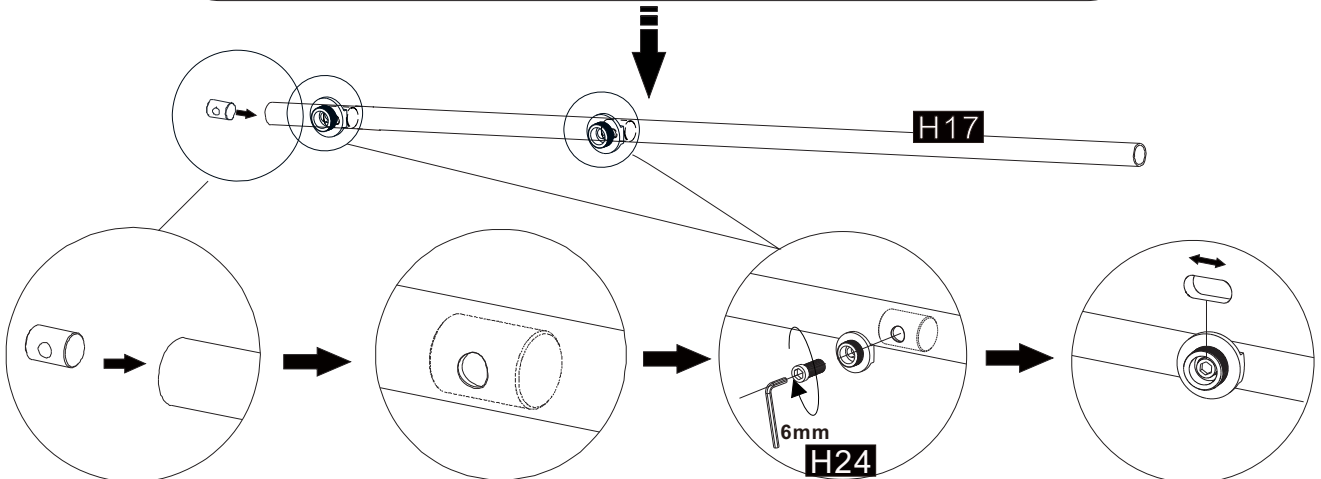
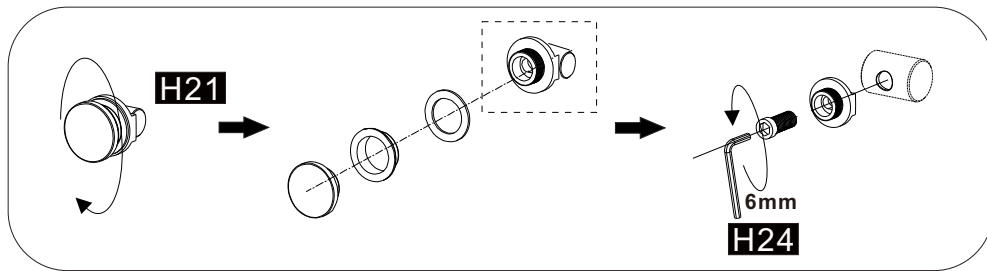
- Insert fix panel H03 into the channel of wall profile.



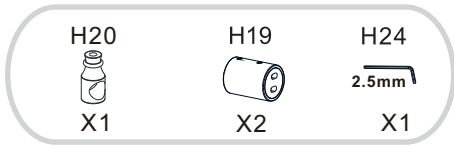
3.



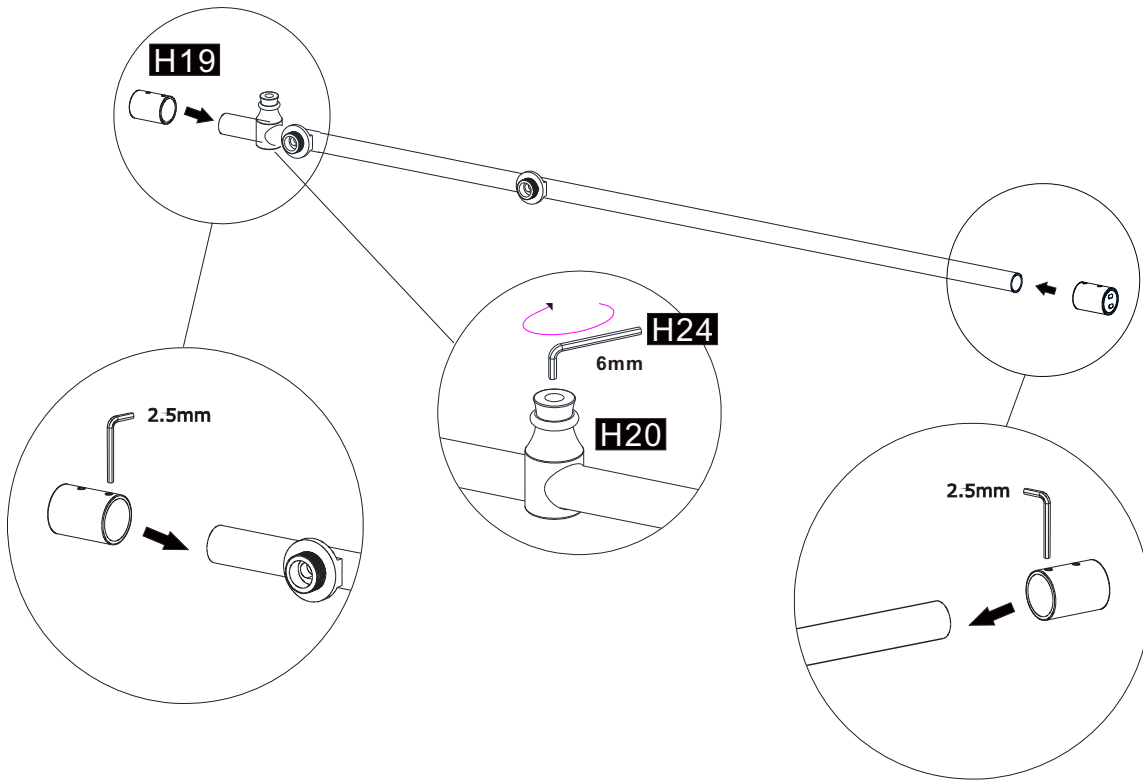
-Loose the part H21(X2) first.
-Then put the part H21(X2) on the top rail H17,
-Fixed the parts H21(X2) on the top rail with the hex key H24.



4.

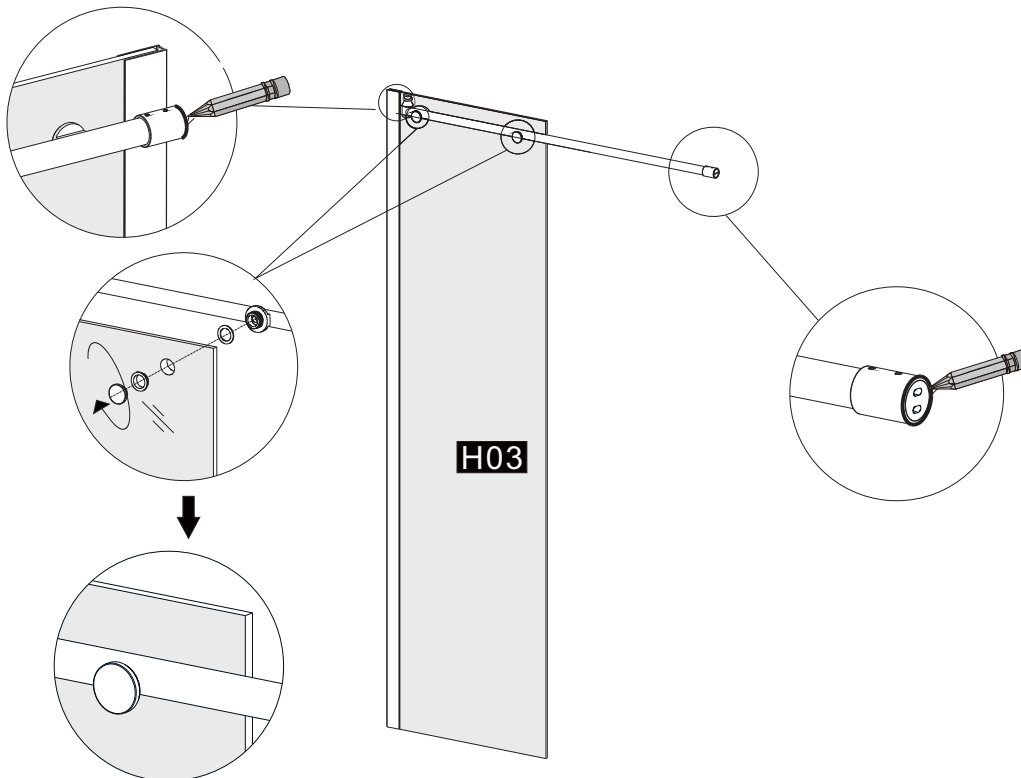


-Fix the part H20(X1) on the top rail with hex key H24.
-Insert the wall brackets H19(2X) on the both side of top rail.

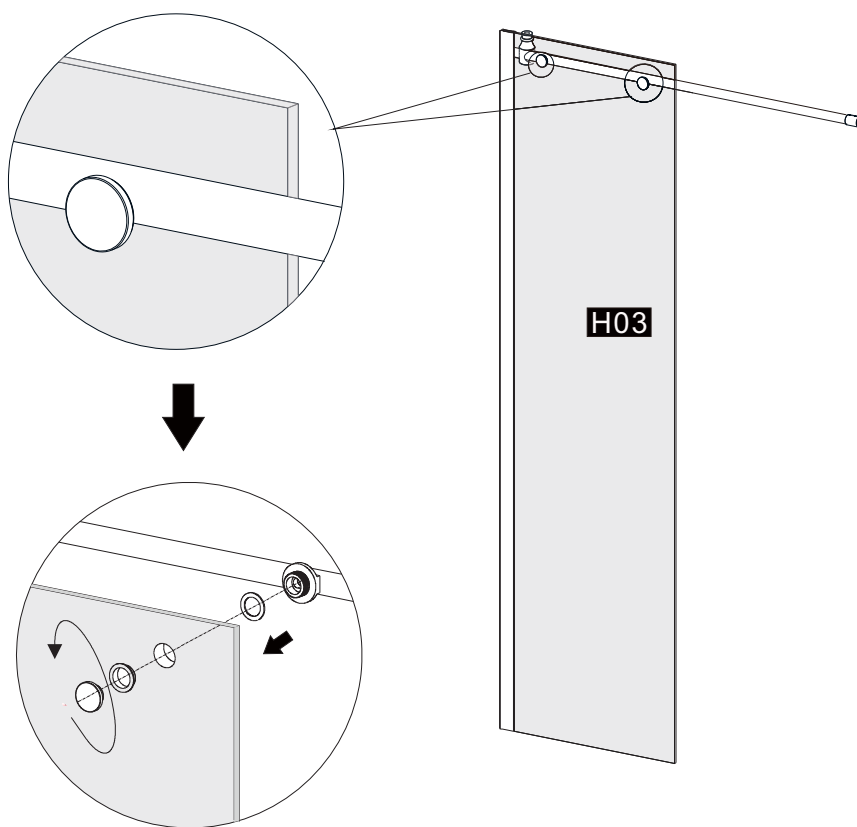


5.

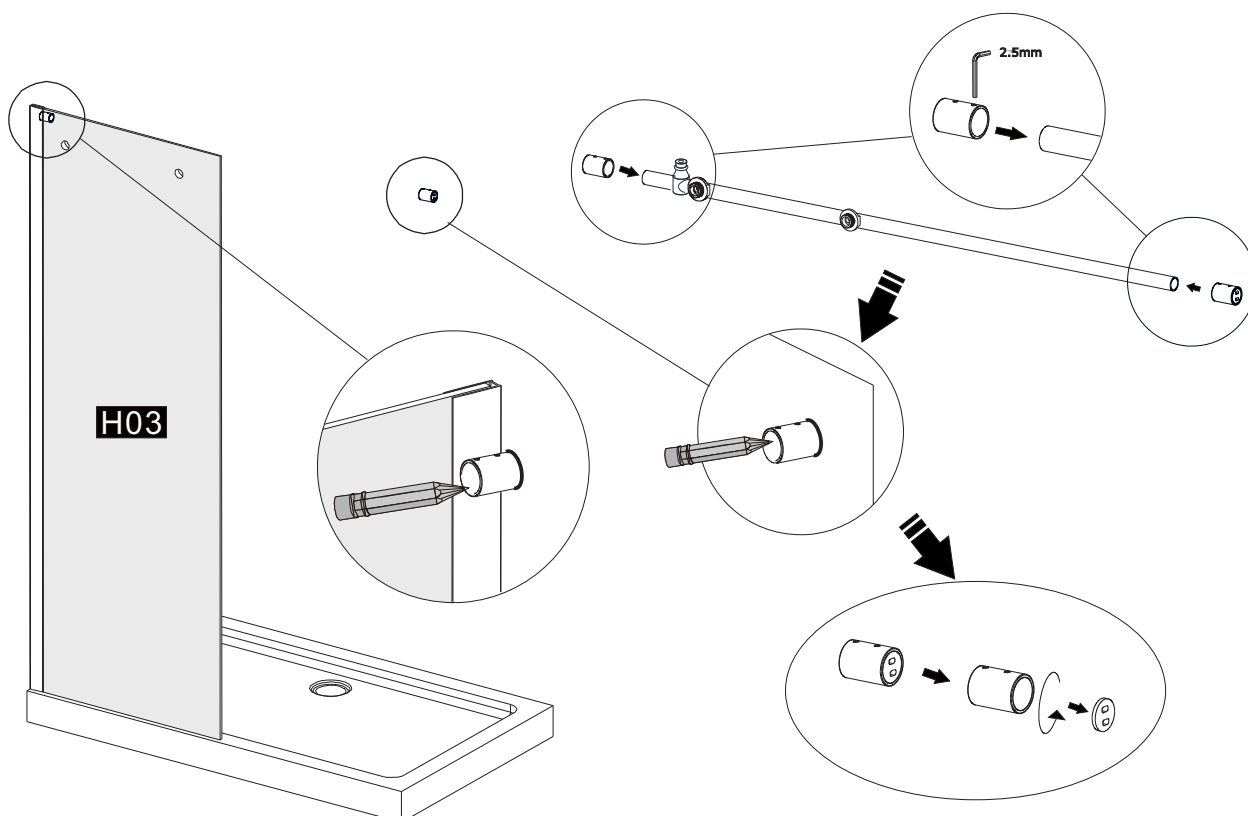
- Install the top rail with the wall brackets on the fixed panel H03 with the parts H21(X).
-Mark the position of the wall brackets on the wall.



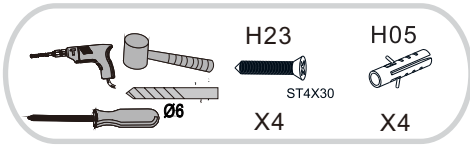
- 6** -Disassemble the rail profile H17 from fix panel H03 by loose fixing part H21(X2) with hex key H24.



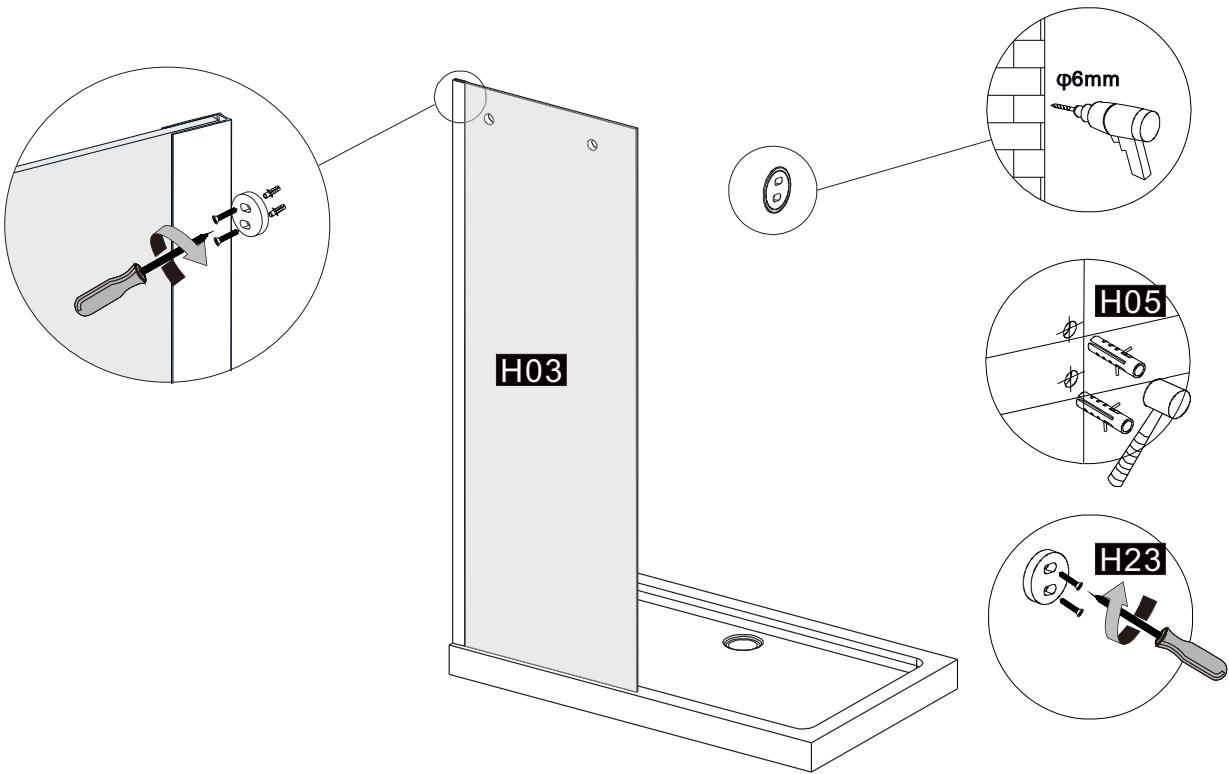
- 7** -Disassemble the wall brackets H19(X2) from the top rail with the hex key H24.
-Mark the holes of the wall brackets on the wall according to the position.
-Take off the wall seats from the wall brackets H19(x2).



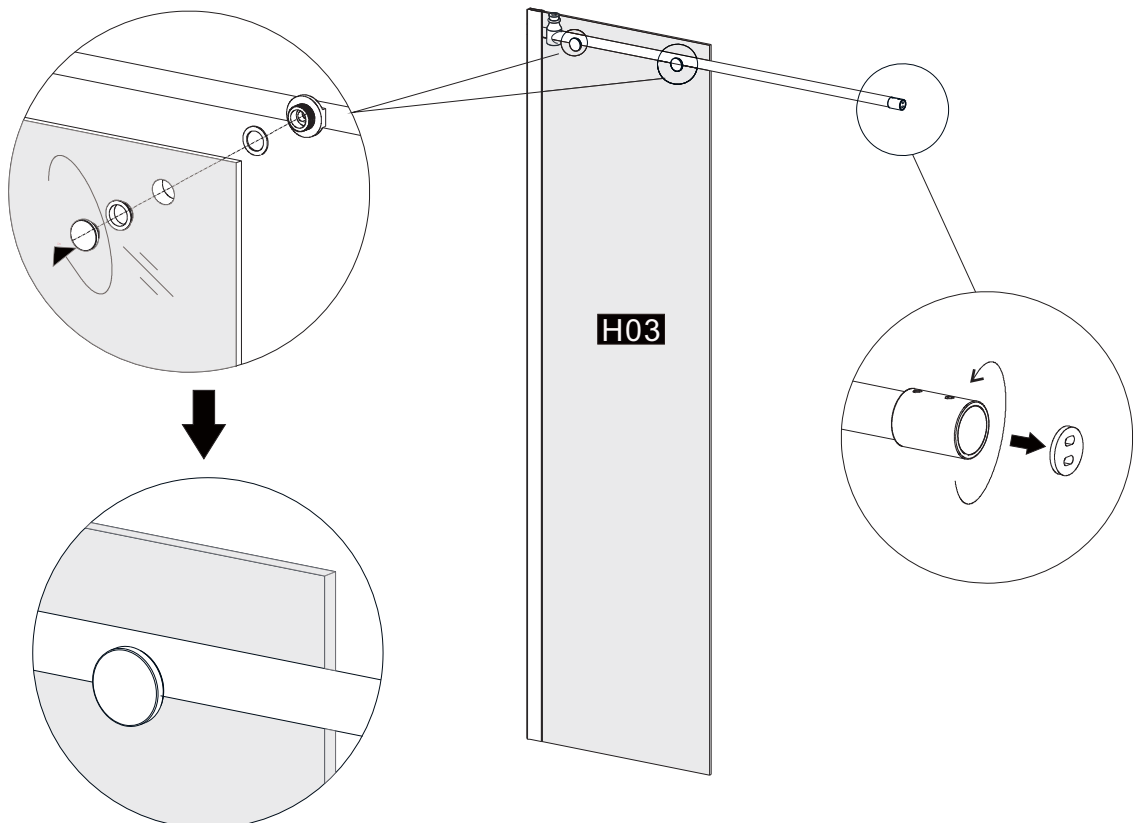
8.



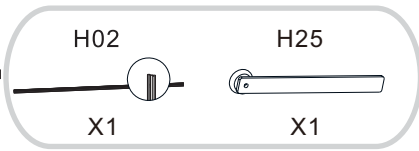
- Drill the holes according to the position.
- Insert the wall plugs H05(X4) on the wall.
- Fix the wall seats on the wall with the screws H24(X4).



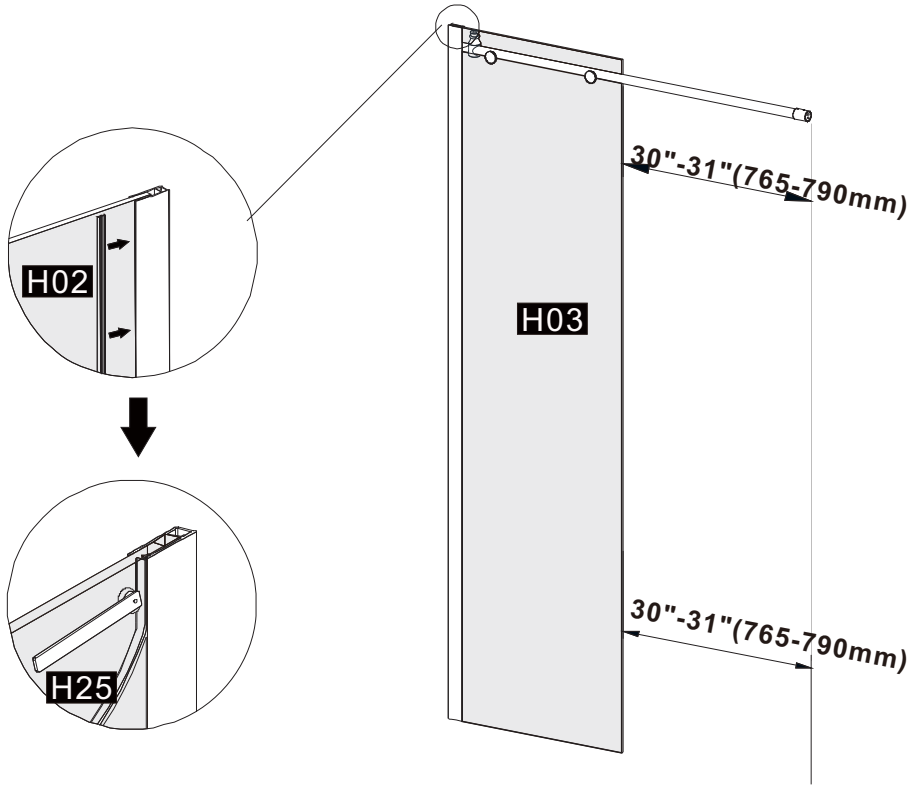
- # 9
- Insert rail profile H17 into the wall bracket H19 and fasten them together with inner screw.
 - Assemble fixing part H21 on the rail profile through fixing panel.



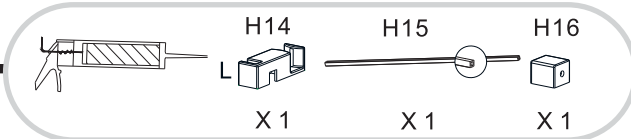
10.



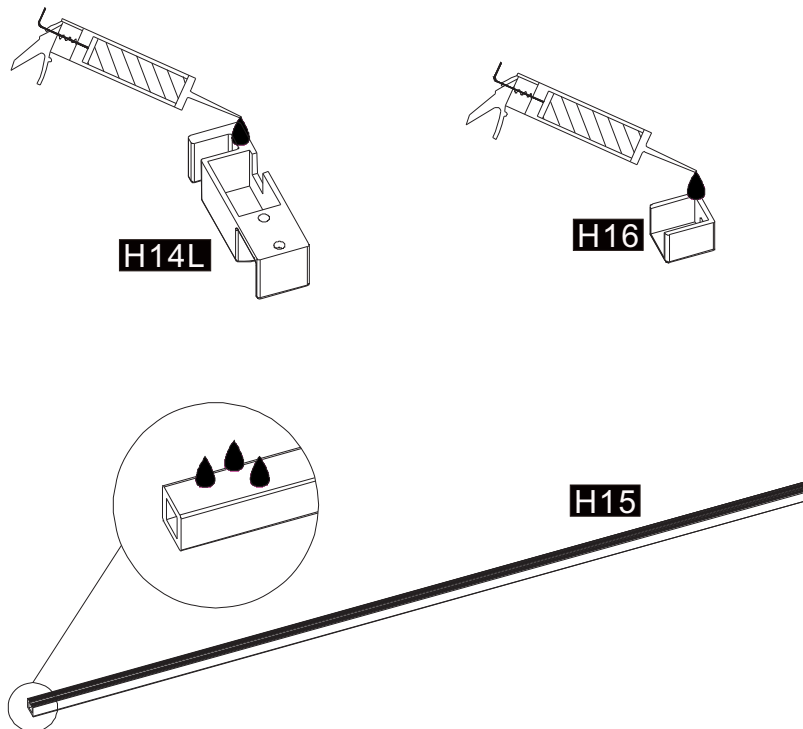
-Adjust the position of fix panel to meet with opening requirement. Please make sure the same opening both on top and bottom.
-Insert the single blade sealer H02(X1) between glass panel by tool H25 and wall profile from outside of cabin.



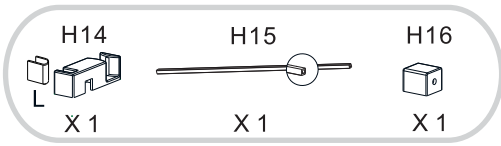
11.



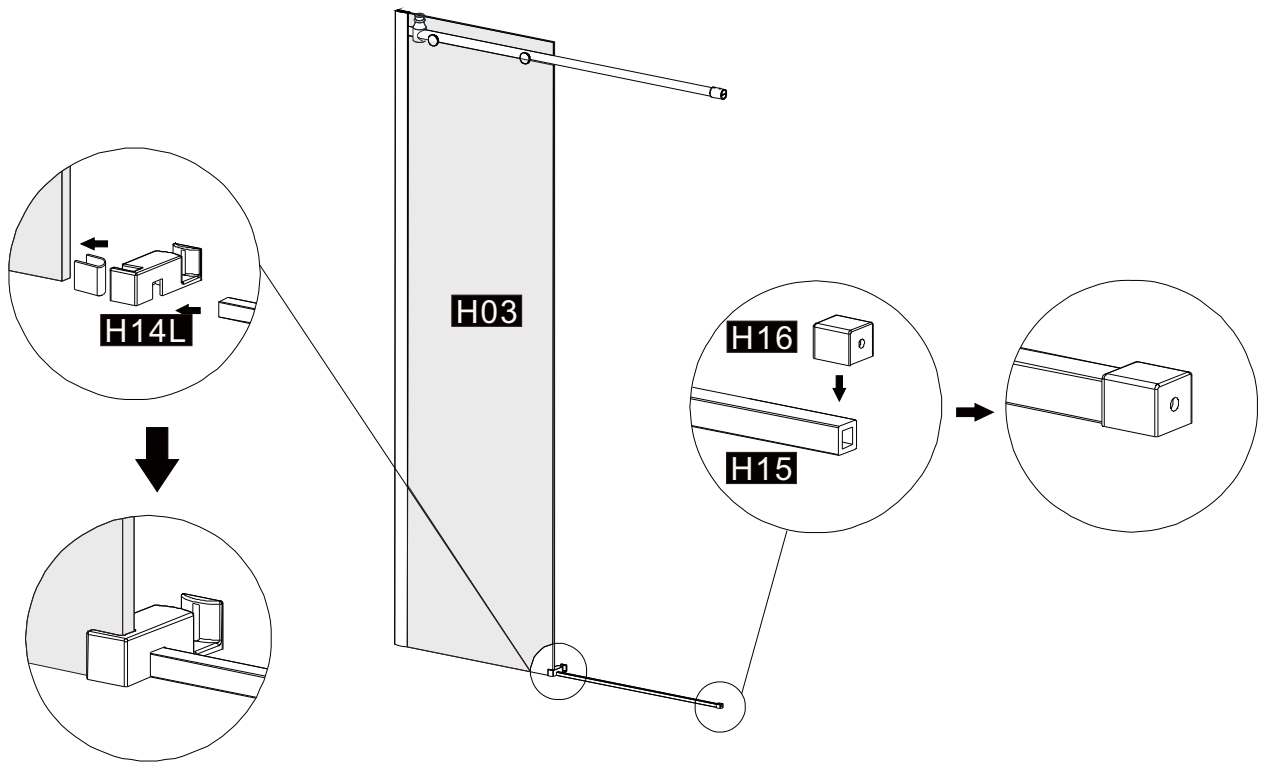
-Apply silicone glue on the back of the bottom anti-water profile H15(X1) and sliding guide H14L (X1) and end cover H16(X1).



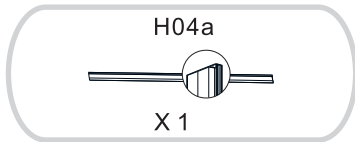
12.



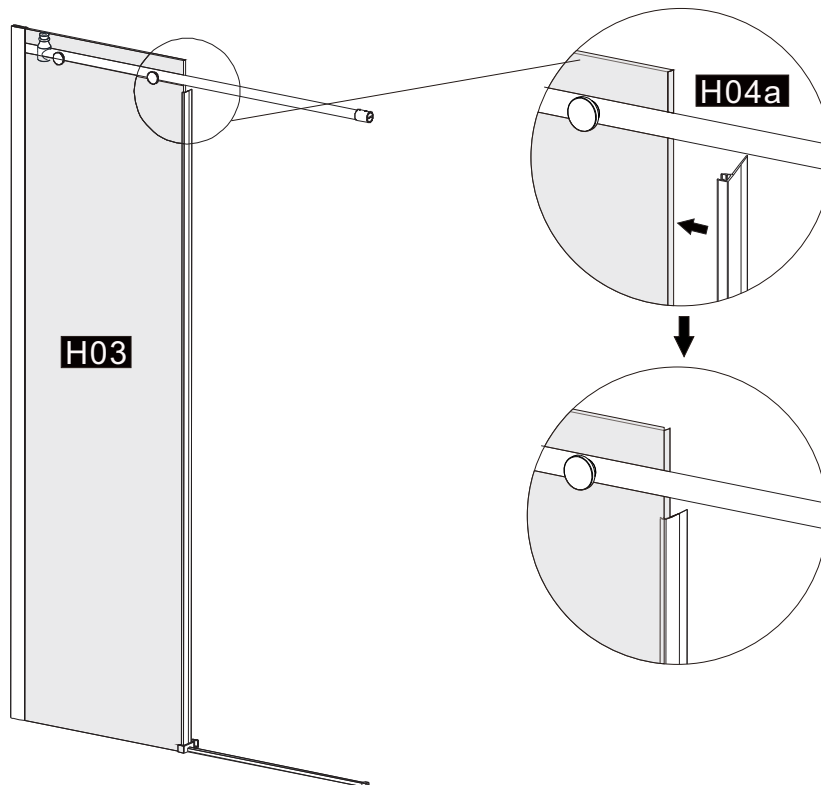
-Put sliding guide H14L(X1) next to the fix panel.
Insert bottom profile H15 into the guide.
-Put cover H16(X1) on the other end of H15.



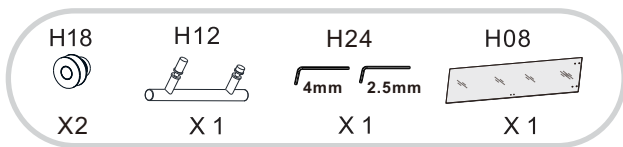
13.



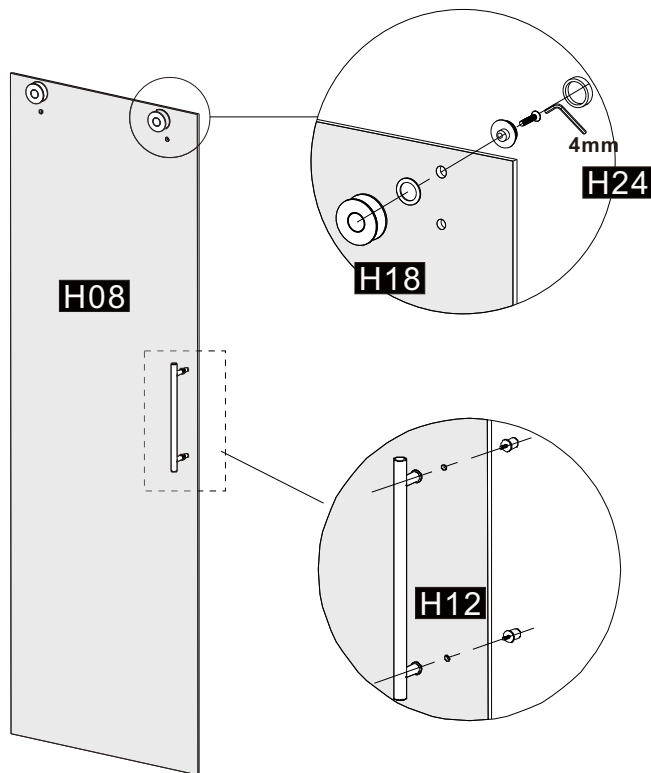
-Apply vertical sealer H04a(X1) on the edge of fixing panel H03.



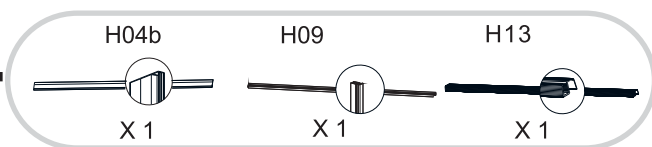
14.



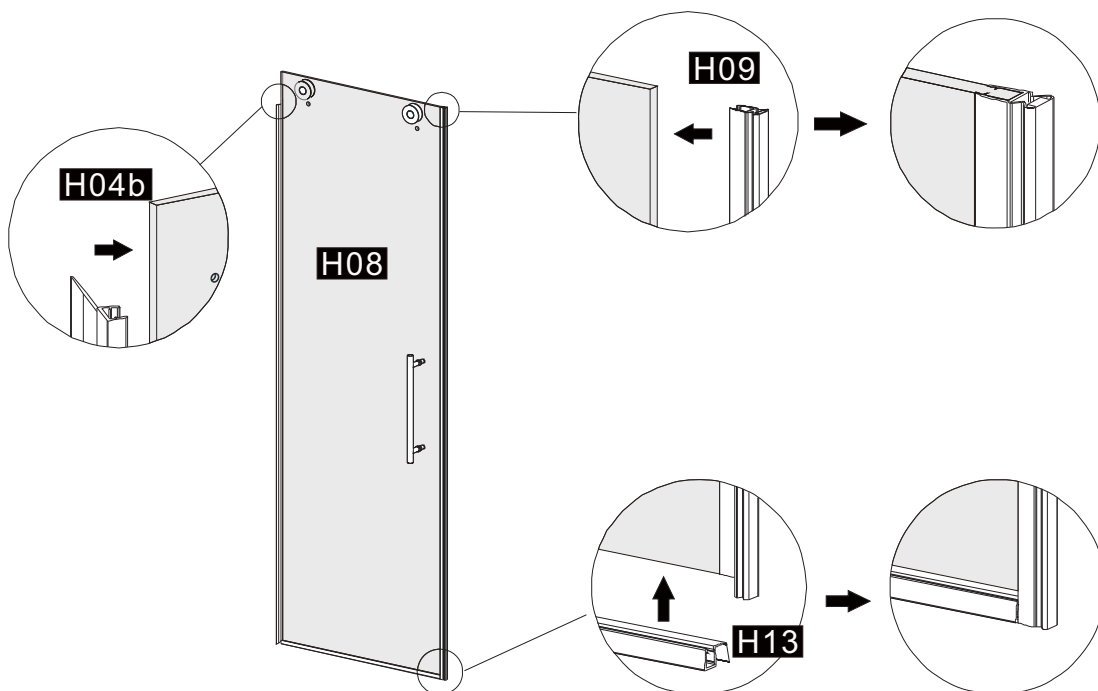
-Mount the rollers H18(X2) on the sliding panel H08 by hex key H24.
-Mount the handle H12(X1) on the sliding panel H08.



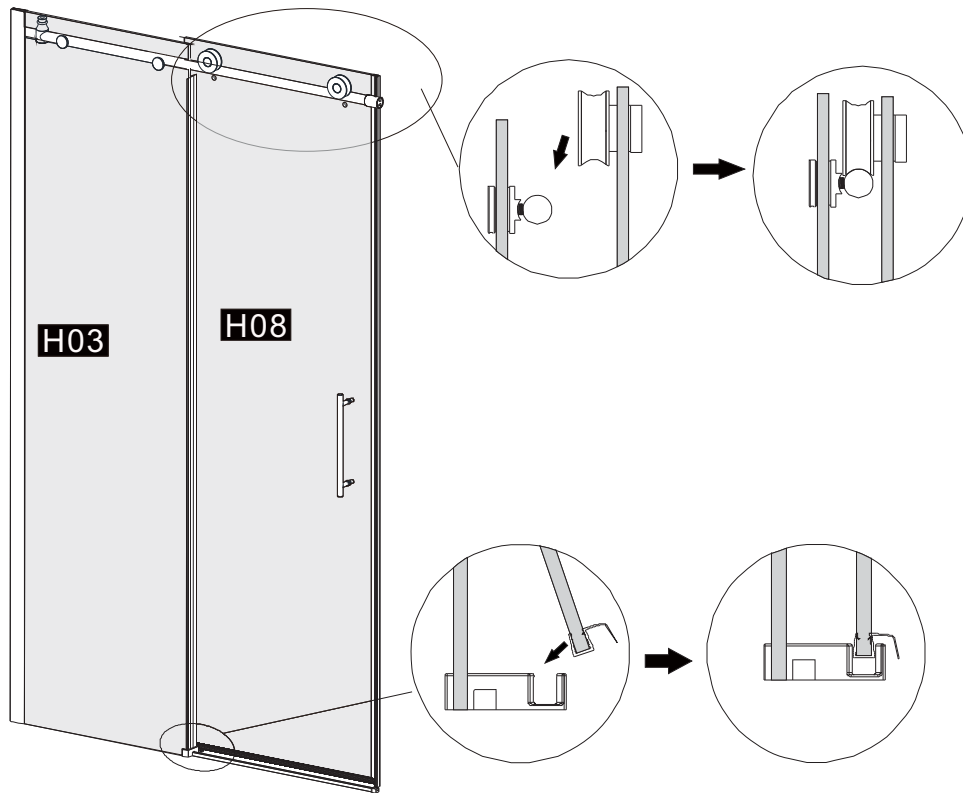
15.

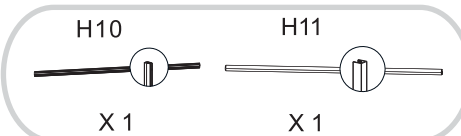


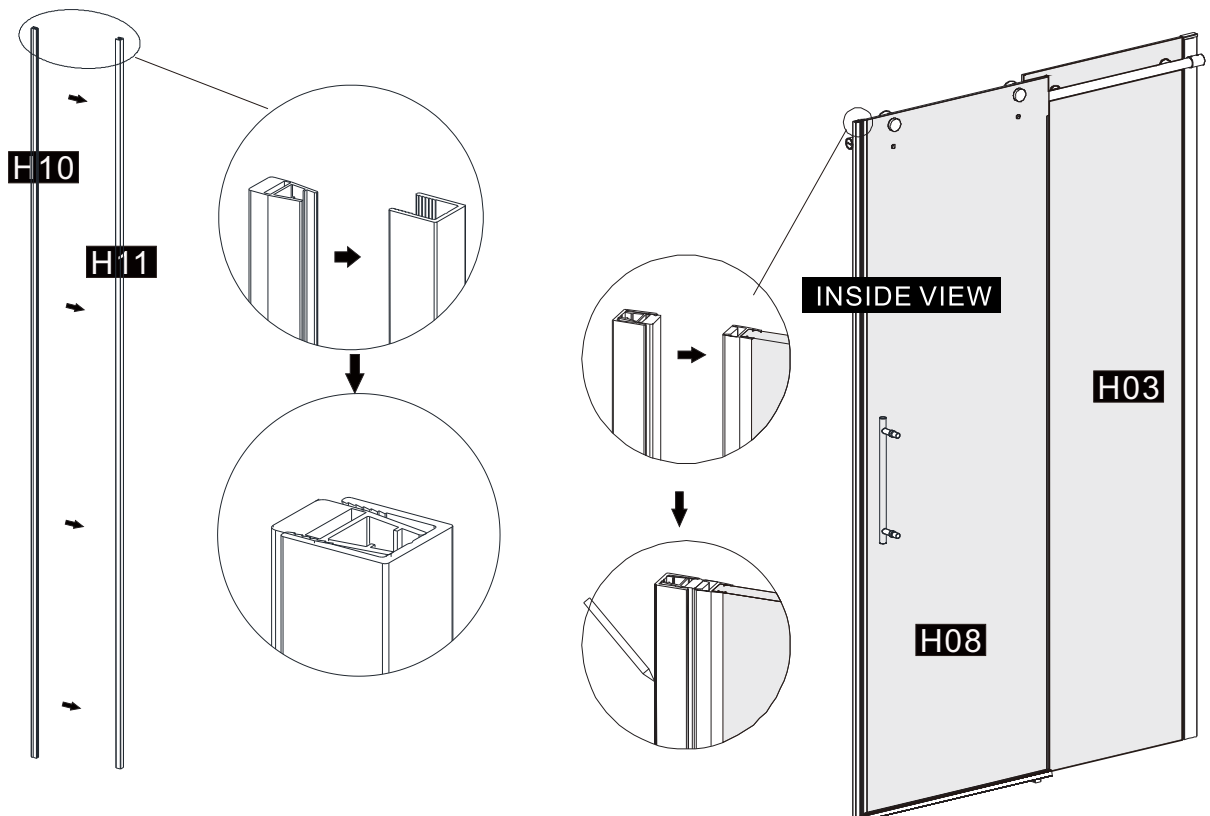
-Apply the vertical sealer H04b(X1) on the edge of slider panel H08;
-Apply the magnetic sealer H09 on the sliding panel edge next to the handle.
-Attach the bottom anti-water sealer H13 on the bottom of sliding panel.



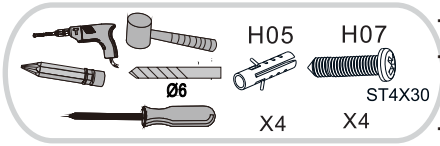
- 16.** - Mount sliding panel on the rail profile. Put the top roller on the top of rail profile and put anti-jump part into the channel of rail profile. Make sure the bottom sealer of sliding panel into the channel of bottom sliding bracket.



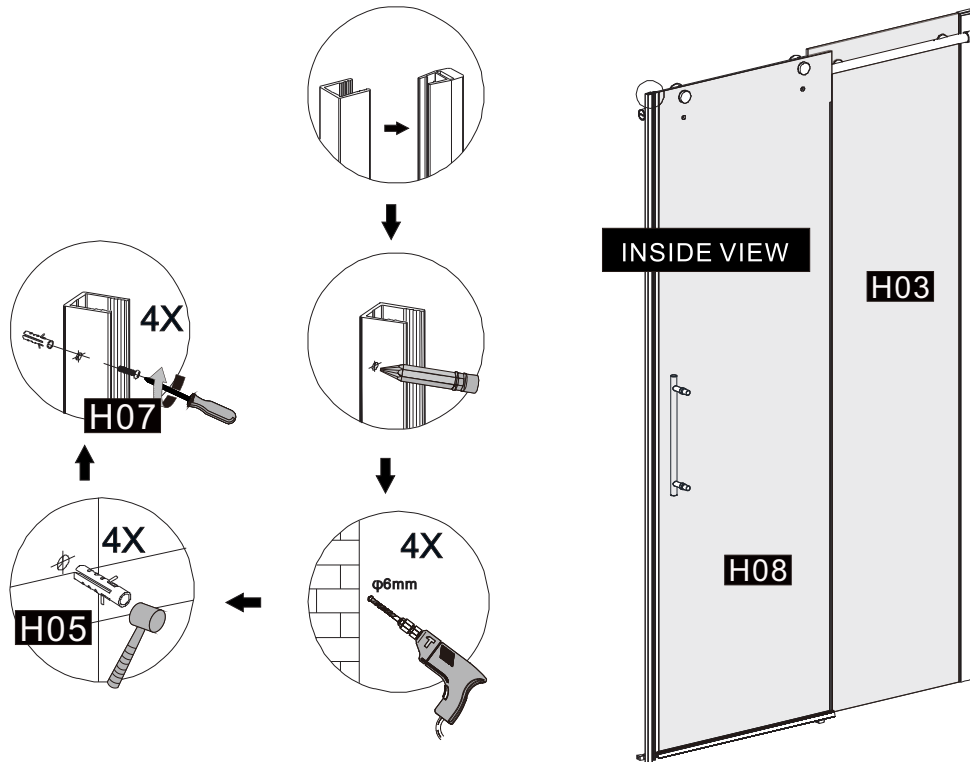
- 17.**  -Insert the magnetic strip H10 into the small wall jamb H11.
 -Put 2 magnetic strip closed on the sliding panel.
 -Close the door to mark the position of samll jamb.



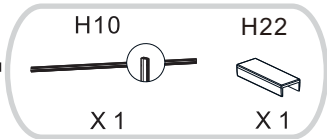
18.



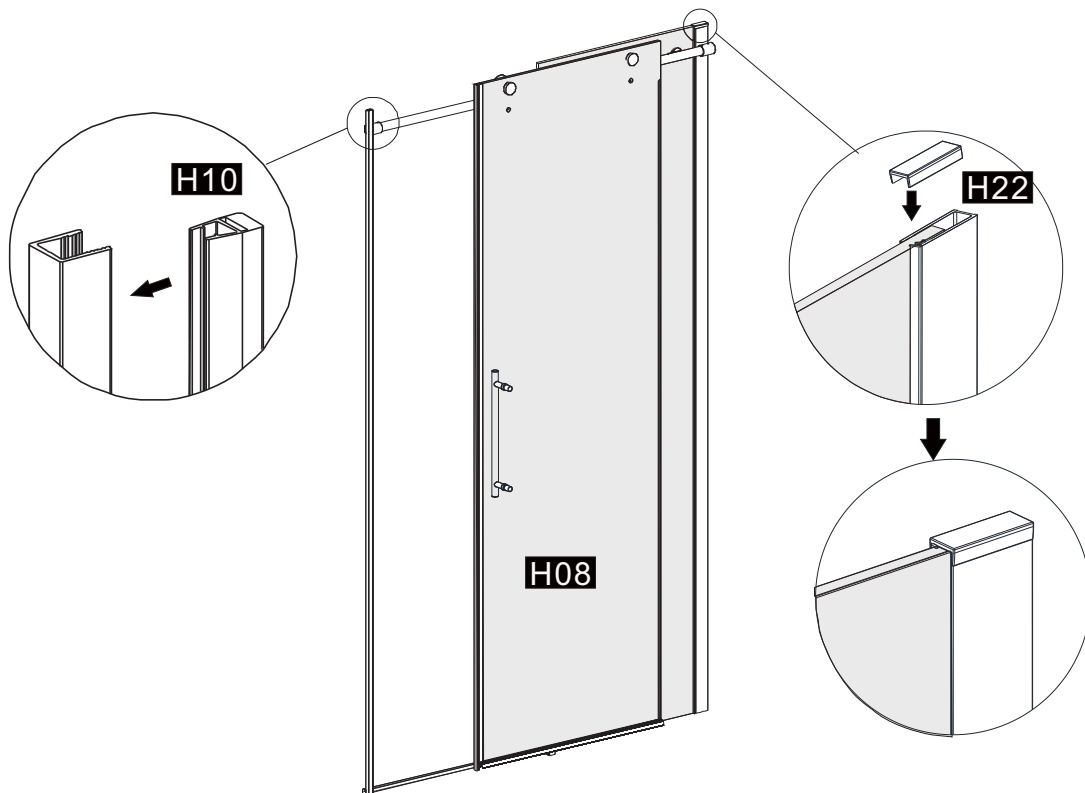
- Take off the magnetic strip out off the small wall jamb.
- Put the samll wall jamb H11 on the wall according to the mark.
- Mark the holes position, and drill the holes accordingly.
- Insert wall plugs H05(X4) into the holes.
- Fix the small wall jamb on the wall with screws H07(X4).



19.



- Insert magnetic strip H10 into the channel of small wall jamb.
- Put top cover H22 on the big wall profile.



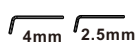
20.

H18



X2

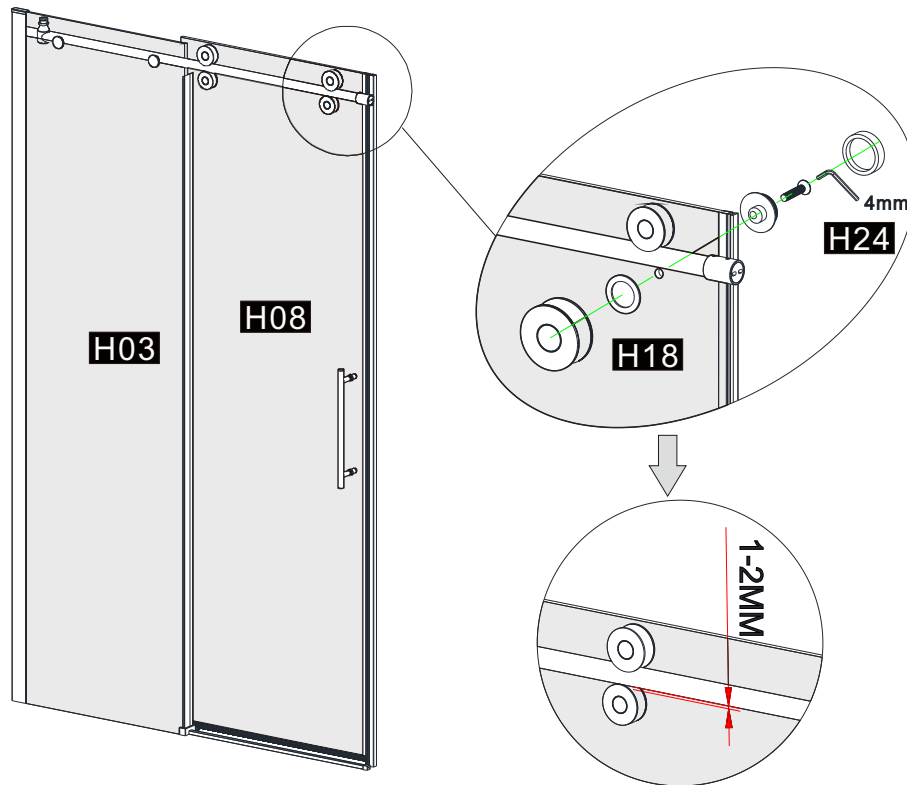
H24



X 1

-Mount another rollers H18(X2) on the sliding panel H08 under the top rail with the hex key H24.

-Ensure there have 1-2mm distance between rollers and top rail.

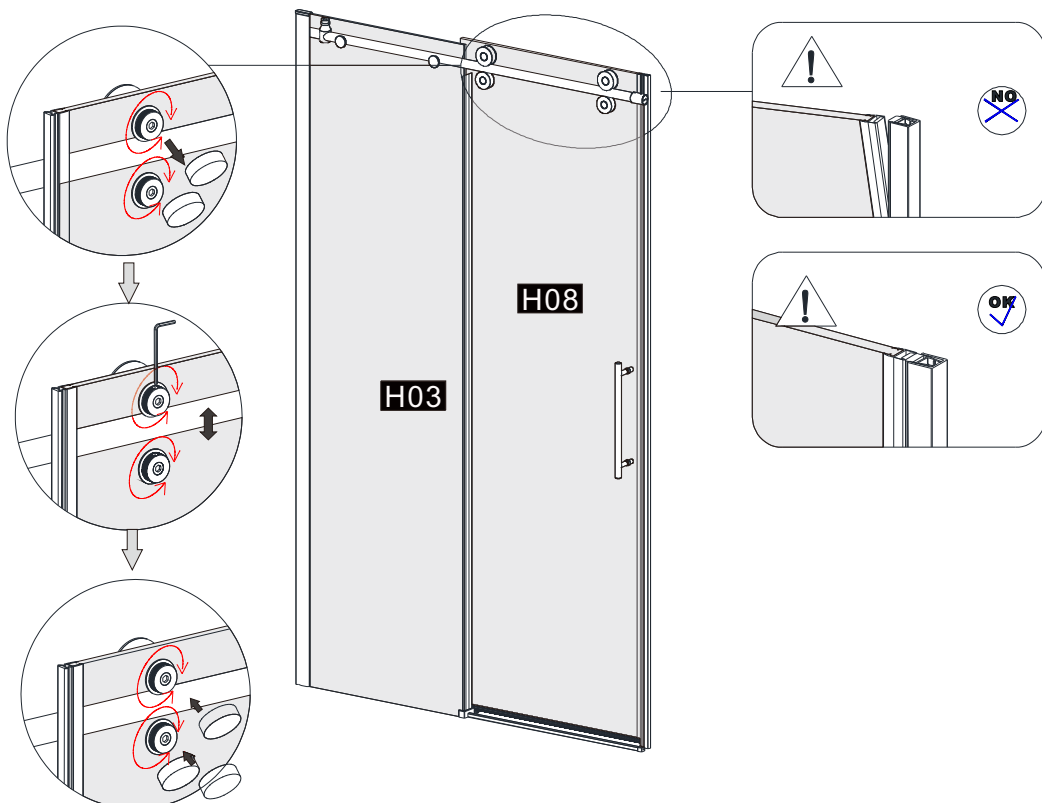


21.

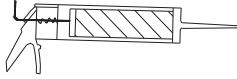
-The top roller is adjustable to make the door vertical.

-Take off the back cover, turn the nut until the door is vertical with magnetic strip closing well.

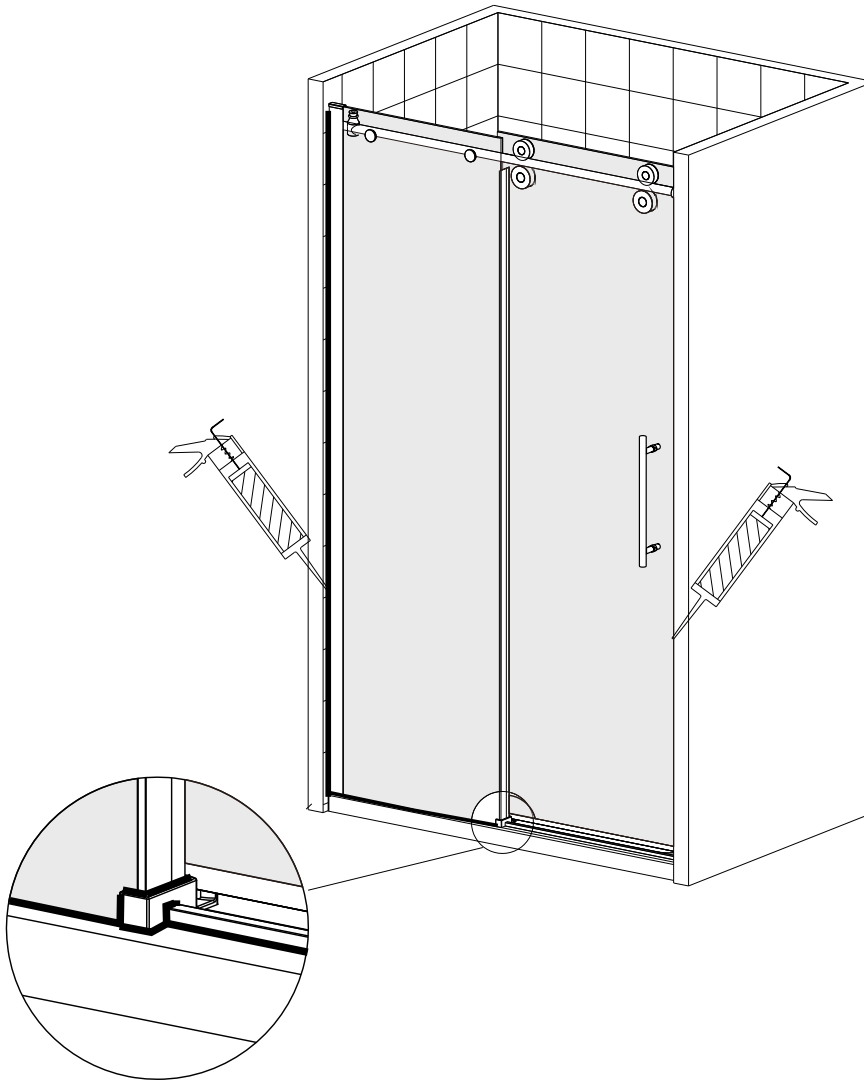
-Put the back cover on the rollers.



22.



- Apply silicone sealant to the outside of the enclosure.
Please note: Do not apply silicone sealant to the inside of the enclosure.



Cleaning and Maintenance:

Please do not use abrasive or strong cleaning solutions on the shower enclosure, such as alcohol, petroleum liquids or any other chemical cleaner.

Should there be any dirty stains on the shower enclosure, please clean it with a soft lint free cloth and warm soapy water. Please rinse it with clean water afterwards.

Sealant drying times may vary in cold damp conditions and will be extended where thicker beads of sealant are applied. Allow sealant to dry completely before exposing to water.

We have taken great care to ensure that this product reaches you in perfect condition. However should any parts be damaged or missing please contact your point of purchase. This does not affect your statutory rights. In addition if you require replacement parts your point of purchase will be happy to assist.

Technical and Customer Support : 1-312-666-3552