

48in VANITY COMBO

MODEL: D25948-L
D25948-R

LIMITED LIFETIME WARRANTY

WHAT IS COVERED

All products in the package carry a One-Year Limited Lifetime warranty. This warranty applies only to the original purchaser and to the original installation of the product.

WHAT IS NOT COVERED

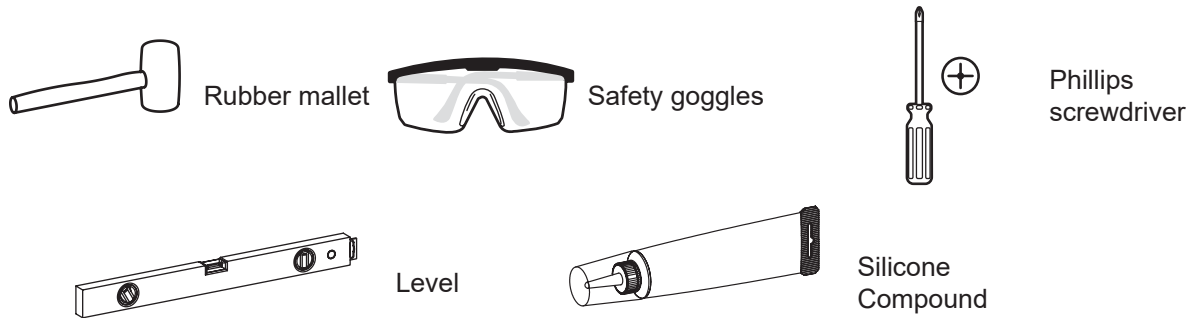
Damage caused during moving or during installation is not a defect or warranty issue and will not be considered as such. This warranty does not cover product failure caused by abusive treatment, surface scratches, misuse, neglect or damage due to handling or faulty installations. All wood naturally ages, darkens, changes in color, and mellows over time due to exposure to light. While this color change is imperceptible from day to day, it may be significant over a long period of time, or due to amount of light the wood is exposed to. Imperfections such as small surface splits, small dark holes or darker mineral streaks are natural and are not considered defects.

Toll free Customer Assistance at 877.659.2128

M - F: 7:30AM - 4:30PM PST.

PRE-INSTALLATION

Tools Required



Hardware Included



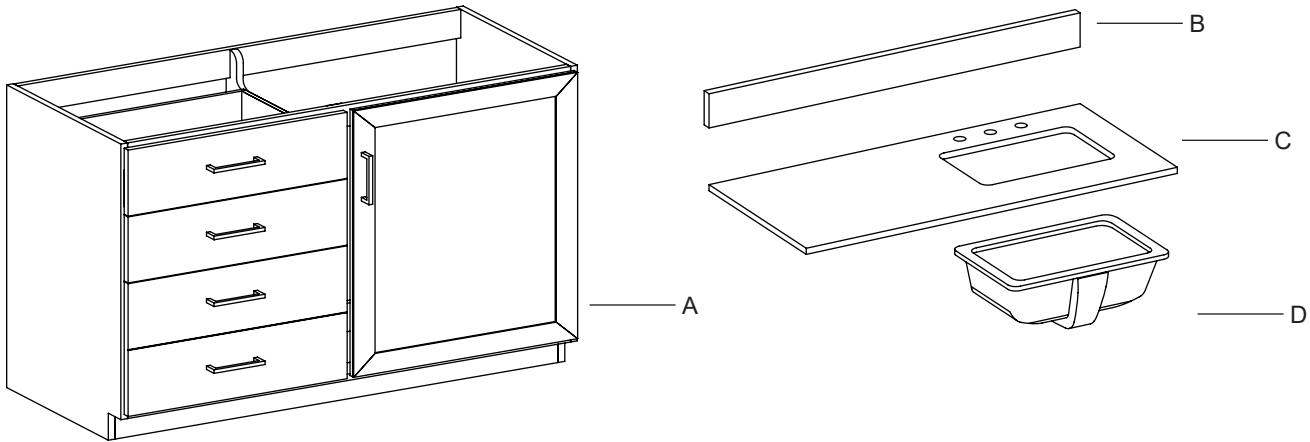
Part	Description	Quantity
AA	Leg levelers (pre-installed on legs)	4
BB	Round pegs for shelf	4

Materials Required

Description	Quantity
Wood screws	2
2" x 6" lumber (cut to fit between studs)	1
5/16" Lag Bolts (min. 250lbs) load bearing	2
Washers for Lag Bolts	2

PRE-INSTALLATION (continued)

Package Contents



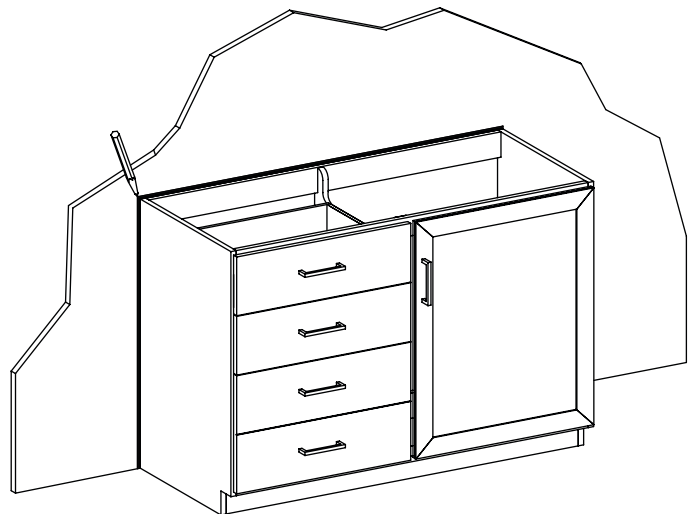
Part	Description	Quantity
A	Cabinet body	1
B	Backsplash	1
C	Stone vanity top	1
D	Vitreous china sink	1

INSTALLATION

1 Tracing the outline of the vanity

Determine the ideal location for your new bath furniture.

- Trace its outline on the wall.
- Use a stud finder to locate the studs to which you will attach the vanity.
- With a level, draw lines along the studs from the floor to the top of the vanity. These lines will help you spot where to place the screws in Step 3.

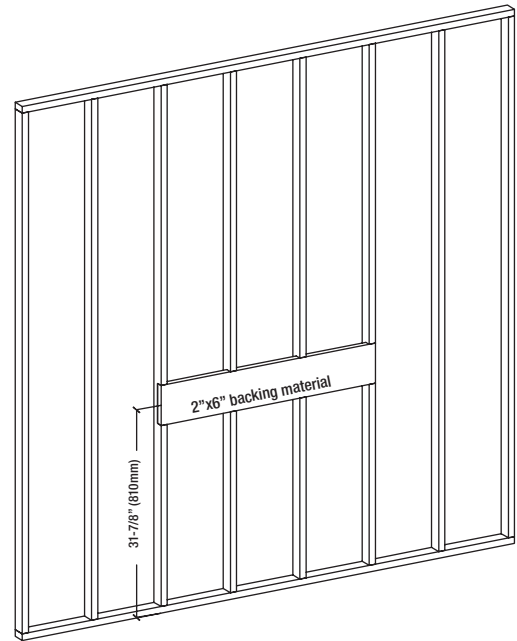


INSTALLATION (continued)

2 Installing support for vanity

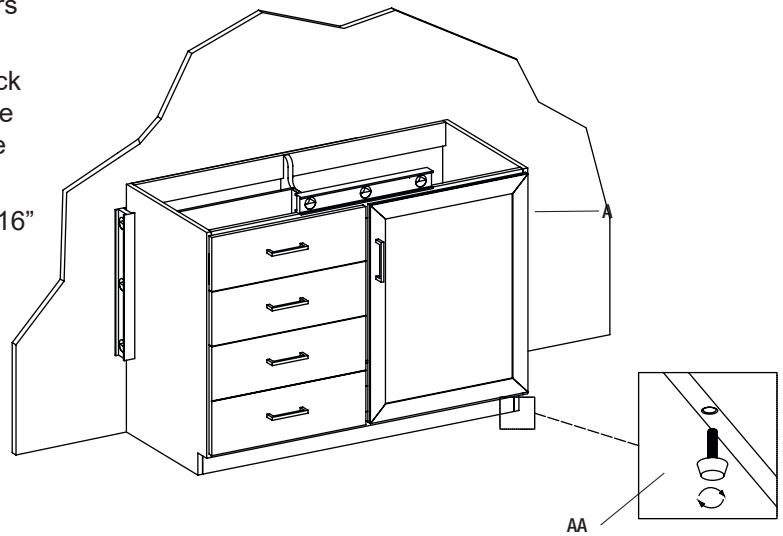
Provide 2x6 backing material behind the finished wall to properly support the vanity.

- To properly secure the vanity, the middle of the required 2x6 backing material must be 31-7/8" (810mm) from the finished floor.
- Extend the backing material beyond the width of the vanity to the nearest stud. This will ensure proper support for the vanity.
- Front-notch the studs to ensure the 2x6 backing material is flush against the studs.
- Secure the 2x6 backing material to the studs with framing nails.
- Rough-in the water supply and drain lines into the rough-in plumbing areas of the vanity.



3 Attaching the vanity

- Verify the vanity is level and back rail is plumb against the wall. If necessary, turn the leg levelers (AA) to adjust the vanity.
- Using drill bit, drill two pilot holes through the back rail and the finished wall. Verify the pilot holes are positioned to ensure the lag bolts will engage the 2x6 backing material.
- Secure the vanity to the finished wall with two 5/16" lag bolts and washers (not provided).



INSTALLATION (continued)

4

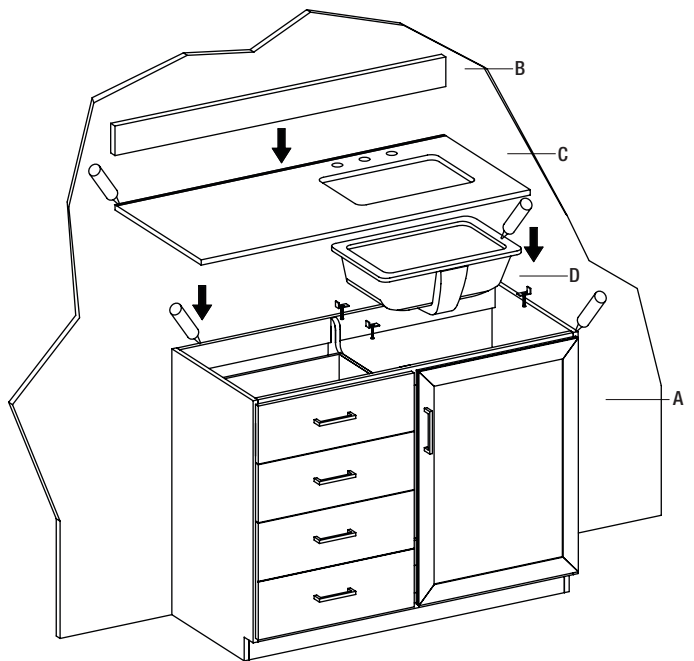
Installing the faucet to the vanity top

Follow the manufacturer's instructions to install the faucet and drain assembly to the vanity top.

5

Securing the vanity top

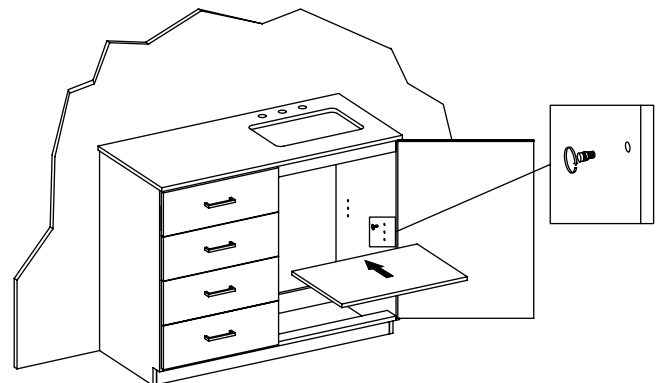
- Place the vanity top (C) with the pre-installed sink (D) over the vanity (A).
- Make sure the wall is straight and there are no gaps between the wall and vanity top (C).
- Remove the top (C) and apply a small bead of silicone compound to the top of the vanity before the vanity top is set into position.
- Firmly press the vanity top (C) into position; check the level and evenness across the front of the vanity (A), and make sure the vanity top (C) is flush to the wall.
- Apply silicone compound to the back and bottom of the backsplash (B). Firmly press the backsplash (B) to the vanity top (C) to set into place, then firmly press the backsplash (B) to the wall.



6

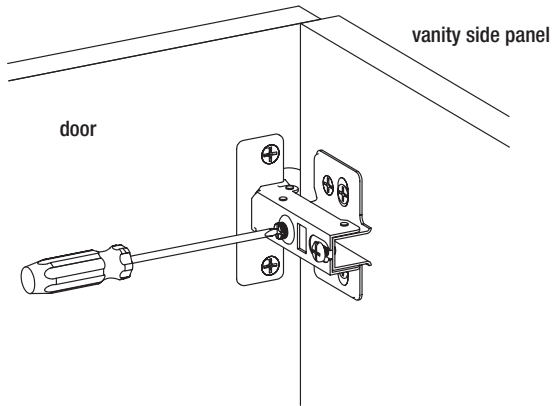
Reconnecting the water supply

- Install the 4 round pegs (BB) into the pre-drilled holes inside the vanity.
- Slide the wooden shelf over the round pegs (BB).
- Reconnect the faucet supply lines to the water supply and reconnect the p-trap.
- Install the pop-up drain.
- Turn on the water supply or the home's main water supply and test for leaks.



DOOR ADJUSTMENT

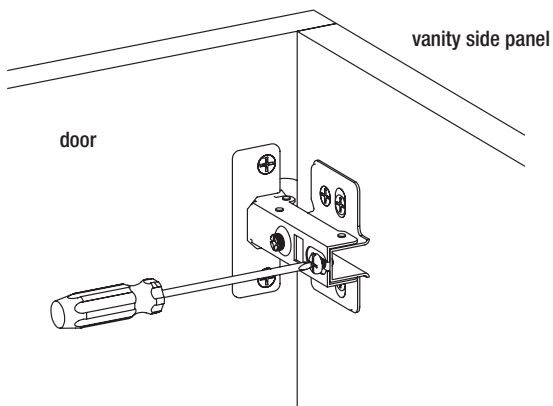
LEFT TO RIGHT



If the gap between the door and vanity side panel needs adjustment, turn the screw closest to the door clockwise or counter clockwise.

Make sure to adjust both the top and bottom hinges to keep the door level.

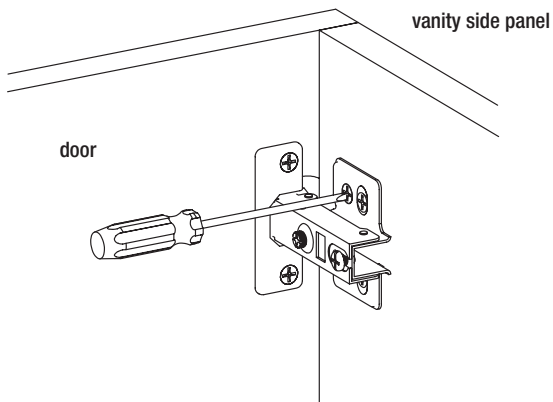
FRONT TO BACK



If the door is not aligned perfectly with the vanity frame, turn the screw closest to the vanity side panel clockwise or counter clockwise.

Make sure to adjust both the top and bottom hinges to keep the door level.

UP AND DOWN

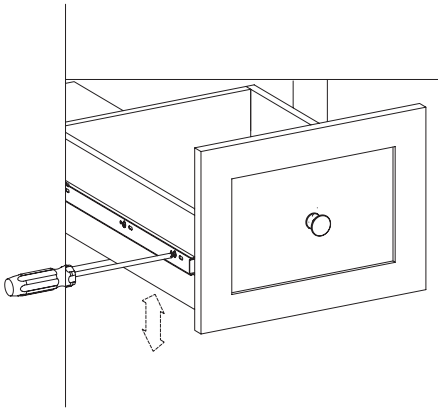


If the gap above or below the door needs adjustment, turn the screw that is mounted to the hinge plate of the vanity side panel.

Loosening the screw allows the door to move up or down.

Both hinges of the door need to be loosened to adjust the door.

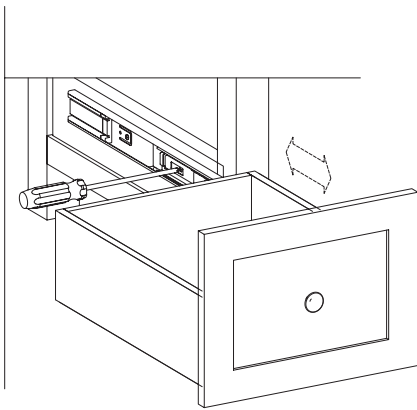
Remember to tighten the hinges after the door is in place.

DRAWER ADJUSTMENT**UP AND DOWN**

If the gaps above or below the drawer need adjustment, simply turn the screw that is mounted to the glide of the drawer box.

By loosening the screws this gives the drawer box freedom to move up or down.

Remember to tighten the screws after the drawer box is in place.

FRONT TO BACK

If the drawer is not aligned with the vanity frame, pull the drawer out to its furthest point to reveal the screw closest to you.

By turning the screw clockwise or counter clockwise it will adjust the depth of the drawer.

Adjust the drawer until the face is flush with the vanity frame.

CARE AND CLEANING

WOOD DOORS AND PANELS

Dust cabinets frequently with a soft, lint-free cloth. You may dampen the cloth with water or with a spray-type dust remover. Clean up spills immediately. Use a clean, damp cloth if necessary. Wipe dry with another clean soft cloth. Cloth is better than paper towels for this purpose.

For maintenance cleaning of your cabinet, there are a number of products available for your wood cleaning needs, typically promoted as furniture care products. We suggest using mild soap with a damp cloth to remove any build up on cabinets. Any product used should be applied and then quickly and completely removed with a damp cloth. Dry the cabinet completely after cleaning as excess moisture can be damaging to any fine wood finish. In addition, do not drape wet or damp cloths over the edge of doors.

Do not use detergents, soap pads, steel wool or any other type of abrasive pad on your cabinet. These products will damage the wood finish. We also suggest not using citrus oils, wax, or polishes that contain silicone because they leave a residue that is sometimes difficult to remove and attracts dust. Finally, do not use solvents such as ammonia, bleach, acetone, lacquer thinner or cleaners such as goof-off or WD40, all of which may damage or dissolve some or all of the finish.

LAMINATES

You can clean all laminated surfaces by using a damp, soft cloth. Do not use excessive amounts of water, it will seep into the seams of the cabinet. Sink base cabinets are the most common cabinet to have water damage and can usually be protected with a plastic liner or pan.

PREVENTING HEAT OR HUMIDITY DAMAGE

The bathroom environment is very common place for humidity. It is very important to dissipate the humidity in the room and not let it stay for long periods of time. If higher temperature settings are used for extended periods of time, the heat may be excessive and the doors and drawer fronts should be removed. This is particularly important on laminated panels, which cannot be exposed to extended temperatures beyond 160 degrees Fahrenheit without risking permanent damage.

SUNLIGHT AND AGING

Over time, exposure to sunlight, smoke and chemicals may cause some materials to fade or vary from their original color. Cabinets or accessories added at a later date may not match cabinets previously installed. For the same reason, finish samples on displays may not represent the exact color of cabinets received at the time of shipment.

VITREOUS CHINA

Vitreous china vanity tops and sinks are very durable. The glazing process provides years of enjoyment if cared for correctly. Rinse thoroughly and use a soft cloth to wipe the product dry after each use to prevent hard water stains. Soft abrasive cleaners may be used when necessary to clean vitreous china products.

GRANITE OR MARBLE TOPS

Natural stone is a porous material. Therefore, it may stain if not properly cared for. Granite counter tops should be sealed before using. Follow the instructions on the sealer label. The easiest way to clean granite counter tops is to simply use warm water and mild liquid dish soap, preferably without aromatics. This is a gentle way to clean the grease and grime from your granite counters without damaging them. If you use plain soap and water, this can lead to soap build up and over time, will dull the glossy finish of your polished granite. After cleaning you should rinse the counter top thoroughly and dry with a soft cotton cloth.

QUARTZ TOPS

Quartz is easy to maintain. It is a non-porous material that is highly resistant to stain, scratches and heat. However, it is not stain, scratch, or heat proof. Spills should be cleaned as soon as possible with soap and water on a regular basis to keep the polished quartz looking like new. Use warm water and a damp cloth with a small amount of non-abrasive cleaner that does not contain bleach.