

# ASSEMBLY INSTRUCTIONS

1. Place all parts on a flat smooth surface
2. Attach COLUMN to COUPLING
3. Install Bulb (Not included)

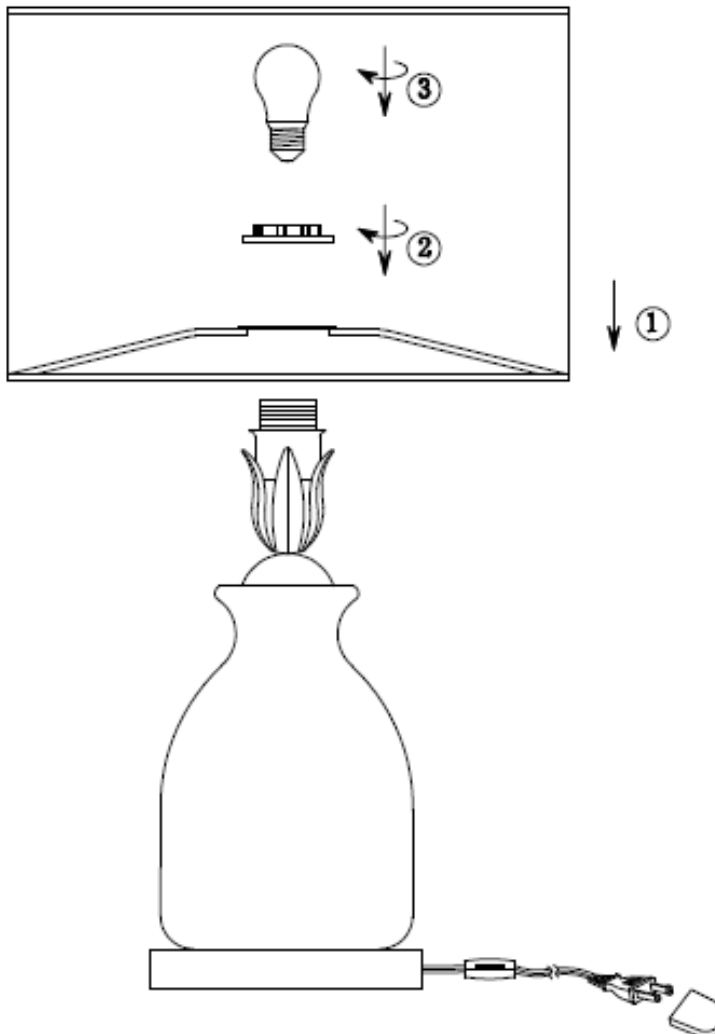
**CAUTION** - Refer to the wattage caution label located near the lamp holder for maximum wattage - do not exceed the maximum wattage.

**WARNING** - Do not attempt to replace the bulb(s) while the lamp is plugged into a wall receptacle

**CARE INSTRUCTIONS** - Use only a soft cloth; do not use any chemicals or abrasive cleaners.

## IMPORTANT SAFETY INSTRUCTIONS

This portable lamp has a polarized plug (one blade is wider than the other) as a safety feature to reduce the risk of electric shock. This plug will fit in a polarized outlet only one way. If the plug does not fit fully in the outlet, reverse the plug. If it still does not fit it, contact a qualified electrician. Never use with an extension cord unless plug can be fully inserted. Do not alter the plug.



E26 Type A.60W X 1 (Not included)

E26 CFL 13W X 1 (Not included)



MADE IN CHINA