

# HEPDs

## Square D

## Home Electronics Protective Devices

Square D™ brand Home Electronics Protective Devices (HEPDs) are compact and affordable surge suppressors designed for residential load centers. HEPDs work together with surge protection plug strips to provide surge suppression for sensitive electronics. HEPDs reduce surges that might otherwise overwhelm plug strips and damage connected household equipment.

HEPDs also provide surge suppression for important items such as washers, dryers, refrigerators, stoves, and lighting that plug strips don't protect.



by Schneider Electric

# Home Electronics Protective Devices (HEPDs) Features

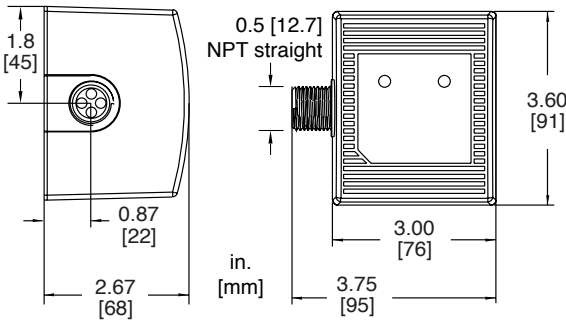
## Superior Performance

Square D brand Home Electronics Protective Devices (HEPDs) utilize high-energy suppression circuitry to protect household equipment.

Each MOV is individually fused with both thermal and overcurrent fusing. HEPDs carry a NEMA Type 4X rating suitable for installing indoors or outdoors.

## Warranty

The HEPD has a limited warranty of 5 years with a \$75,000 connected equipment warranty for residential applications.



As a Manufacturer in the NEMA Smart Grid SPD Program, Schneider Electric has determined that this product meets the NEMA Smart Grid SPD Program specifications for surge protective devices.

## HEPDs



### Performance

Surge Current Rating per Phase	80kA
Short Circuit Current Rating	25kA
Modes of Protection	6
Fusing	Individually fused MOVs
Thermal Fusing	Yes
Overcurrent Fusing	Yes
Operating Frequency	50/60 Hz

### Mechanical Description

Enclosure	Non-Metallic
NEMA Rating	Type 4X
Connection Method	#12 AWG, Solid
Weight	1.8 lbs
Mounting Method	Close Nipped, Side Mounted
Operating Altitude	Sea Level-12,000' (3,658 m)
Storage Temperature	-40° F to +149° F (-40° C to +65° C)
Operating Temperature	-40° F to +149° F (-40° C to +65° C)
Operating Humidity	0 to 95% non-condensing

### Diagnostics

Green status LEDs

### Listings and Performance

cULus Listed to UL 1449 4th Edition Type 1 SPD, CSA C22.2 No. 8-M1986, C233.1-87

Square D brand Home Electronics Protective Devices are critical surge suppression elements for sensitive equipment and devices. When mounted in residential load centers, they are ideal for providing surge suppression to important household items that plug strips typically don't protect (e.g. washers, dryers, refrigerators, stoves, and lighting).

Voltage	Surge Current per Phase	Modes of Protection	Configuration	Model Number	MCOV	SCCR	I <sub>n</sub>	VPR			
								L-N	L-G	L-L	N-G
120/240V	80kA	6	1 Ø, 3-wire+G, side mount	HEPD80	150V	25kA	10kA	600V	700V	1000V	1000V

**Schneider Electric USA, Inc.**  
800 Federal Street  
Andover, MA 01810  
Telephone: (978) 794-0800  
www.schneider-electric.com/us

**Schneider Electric México, S.A. de C.V.**  
Calz. J. Rojo Gómez 1121-A  
Col. Gpe. del Moral 09300 México, D.F.  
Tel. 55-5804-5000  
www.schneider-electric.com.mx

**Schneider Electric Canada, Inc.**  
5985 McLaughlin Road  
Mississauga, ON L5R 1B8 Canada  
Tel: 1-800-565-6699  
www.schneider-electric.ca