



ENGLISH

ESPAÑOL

OWNER'S MANUAL AIR CONDITIONER

Please read this manual carefully before operating your set and retain it for future reference.

TYPE : PORTABLE AIR CONDITIONER
MODEL : LP1415WXRSM

INTRODUCTION

IMPORTANT SAFETY INSTRUCTIONS

Basic Safety Precautions	3 - 6
Electrical Safety	6, 7

PARTS AND FEATURES

Key Parts and Components	8
Control Panel and Remote	9

HOW TO USE

Before Using Your Air Conditioner	10, 11
Using the Controls	12- 14
LG Smart AC (WI-FI)	15

INSTALLATION INSTRUCTIONS

Preparing for Installation	16
Selection of Installation Location	17
Window Vent Panel and Extensions	18
Installation in Vertical Sliding Windows	19, 20
Installation in Casement Style Windows	21, 22

CARE AND CLEANING

Cleaning the Case	23
Cleaning the Air Filter	23
Emptying the Water Collection Tank	24, 25
Storing the Air Conditioner	26

TROUBLESHOOTING

Before Calling for Service.	27, 28
-------------------------------------	--------

WARRANTY

Product Registration Information	29
--	----

THANK YOU!

Congratulations on your purchase
and welcome to the LG family.

Your new LG Air Conditioner
combines high-efficiency operation
with portable convenience.

If you follow the operating and care
instructions in this manual, your
air conditioner will provide you with
many years of reliable service.

IMPORTANT SAFETY INSTRUCTIONS

BASIC SAFETY PRECAUTIONS



To prevent injury to the user or other people and property damage, the following instructions must be followed.

■ Incorrect operation due to ignoring instruction will cause harm or damage. The seriousness is classified by the following indications.

⚠ WARNING This symbol indicates the possibility of death or serious injury.

⚠ CAUTION This symbol indicates the possibility of injury or damage to properties only.

■ Meanings of symbols used in this manual are as shown below.

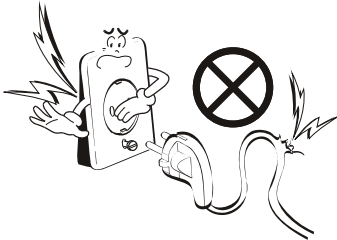
	Be sure not to do.
	Be sure to follow the instruction.

⚠ WARNING

■ Installation

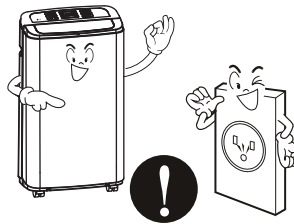
Don't use a power cord, a plug, or a loose socket which is damaged.

- Otherwise, it may cause a fire or electrical shock.



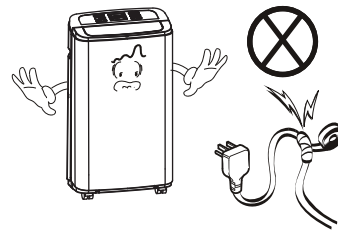
Always plug into a grounded outlet.

- Otherwise, it may cause a fire or electrical shock.



Do not modify or extend the power cord length.

- It will cause electric shock or fire due to heat generation.



Do not disassemble or modify products.

- It may cause failure and electric shock.



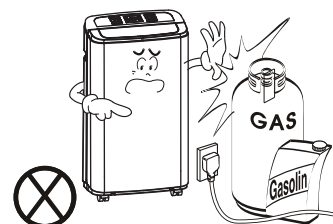
Be caution when unpacking and installing.

- Sharp edges may cause injury.



Do not store flammables like gasoline, benzene, thinner, etc. near the air conditioner.

- It may cause explosion or fire.

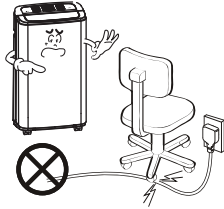


IMPORTANT SAFETY INSTRUCTIONS

■ Operation

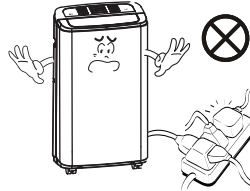
Do not place heavy object on the power cord and take care so that the cord should not be pressed.

- There is danger of fire or electric shock.



Do not share the outlet with other appliances.

- It will cause electric shock or fire due to heat generation.



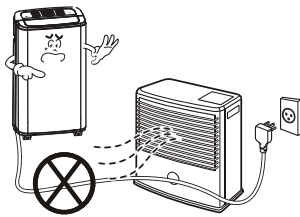
Take the power plug out if necessary, holding the head of the plug and do not touch it with wet hands.

- Otherwise, it may cause a fire or electrical shock.



Do not place the power cord near a heater.

- It may cause fire and electric shock.



Do not allow water to run into electric parts.

- It will cause failure of machine or electric shock.



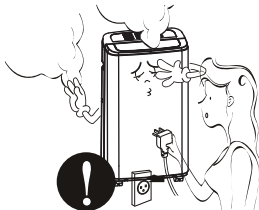
Use a soft cloth to clean. Do not use wax, thinner, or a strong detergent.

- The appearance of the air conditioner may deteriorate, change color, or develop surface flaws.



Unplug the unit if strange sounds, odors, or smoke come from it.

- Otherwise it may cause fire and electric shock accident.

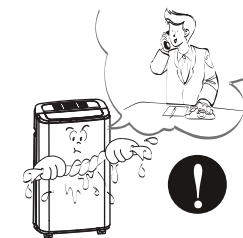


Turn off the power and breaker first when cleansing the unit.

- Since the fan rotates at high speed during operation, it may cause injury.



If water enters the product, turn off the the power switch of the main body of appliance. Contact service center after taking the power-plug out from the socket.



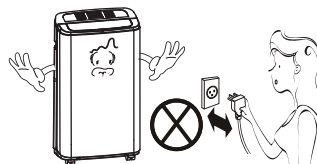
Unplug the unit when not using it for a long time.

- Prevent accidental startup and the possibility of injury.



Do not operate or stop the unit by inserting or pulling out the power plug.

- It will cause electric shock or fire due to heat generation.



Do not damage or use an unspecified power cord.

- It will cause electric shock or fire.



IMPORTANT SAFETY INSTRUCTIONS

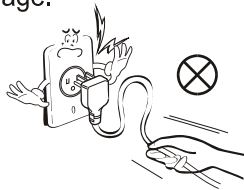
Do not operate with wet hands or in damp environment.

- It will cause electric shock.



Hold the plug by the head (not the cable) when taking it out.

- It may cause electric shock and damage.



When gas leaks, open the window for ventilation before operating the unit.

- Otherwise, it may cause explosion, and a fire.



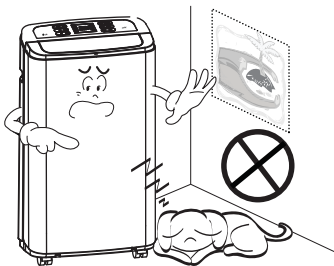
For inner cleaning, contact an Authorized Service Center or a dealer.
Do not use harsh detergent that causes corrosion or damage on the unit.
Harsh detergent may also cause failure of product, fire, or electric shock.

CAUTION

Operation

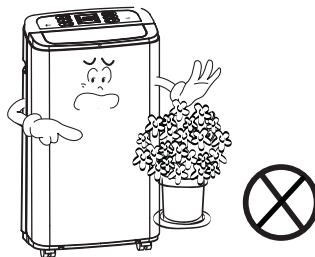
Do not use this appliance for special purposes such as cooling pets, foods, precision machinery, or objects of art

- It is an air conditioner, not a precision refrigeration system.



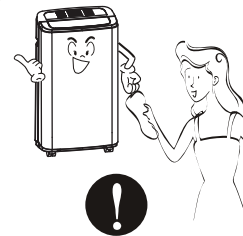
Do not block the inlet or outlet of air flow.

- It may cause product failure.



Use a soft cloth to clean. Do not use wax, thinner, or a strong detergent.

- The appearance of the air conditioner may deteriorate, change color, or develop surface flaws.



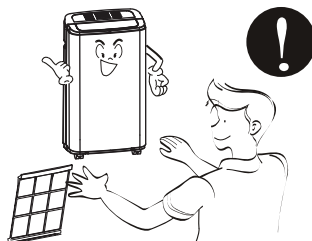
Do not step on the indoor/outdoor unit and do not put anything on it.

- It may cause an injury through dropping of the unit or falling down.



Always insert the filter securely. Clean it every two weeks.

- Operation without filters will cause failure.



Do not drink water drained from air conditioner.

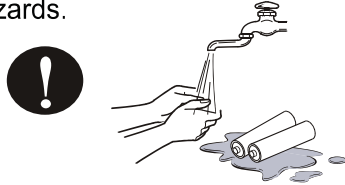
- It contains contaminants and will make you sick.



IMPORTANT SAFETY INSTRUCTIONS

If the liquid from the battery gets onto your skin or clothes, wash it well with clean water. Do not use the remote if the battery has leaked.

- The chemicals in battery could cause burns or other health hazards.



If you eat the liquid from the battery, brush your teeth and see doctor. Do not use the remote if the battery has leaked.

- The chemicals in battery could cause burns or other health hazards.



ELECTRICAL SAFETY

WARNING

Electrical Shock Hazard

Failure to follow these instructions can result in death, fire, or electrical shock.

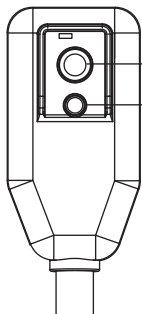
- This unit must be properly grounded.
- Do not, under any circumstances, cut or remove the ground prong.
- If you do not have a properly grounded outlet, or if there is any doubt that the outlet is not properly grounded, a qualified electrician should check the outlet and circuit, and, if necessary, install a properly grounded outlet.
- This air conditioner must be plugged into a grounded 60 Hz, 120 VAC outlet protected by a 15 amp time delay fuse or circuit breaker.
- This air conditioner must be installed in accordance with national wiring codes.
- Do not alter or modify the plug or cord of this air conditioner. If the power cord becomes worn or damaged, the cord should only be replaced by a qualified service technician using genuine replacement parts.
- Do not use an extension cord.

IMPORTANT SAFETY INSTRUCTIONS

READ ALL INSTRUCTIONS BEFORE USE

ELECTRICAL SAFETY

INTEGRATED CIRCUIT BREAKER



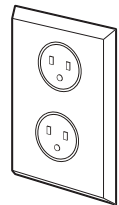
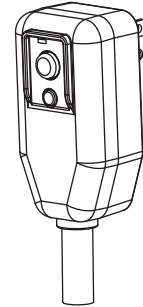
Reset
Test

For additional safety, the power cord features an integrated circuit breaker. Test and reset buttons are provided on the plug case.

The circuit breaker should be tested periodically by pressing the TEST

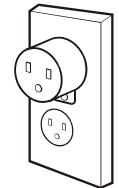
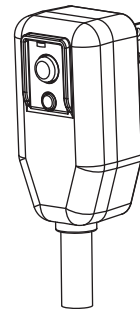
button then the RESET button. If the TEST button does not cause the circuit breaker to trip, or if the RESET button will not stay engaged, unplug the air conditioner immediately and contact your LG service technician.

PREFERRED GROUNDING METHOD



Ensure proper ground exists before use.

TEMPORARY GROUNDING METHOD



Ensure proper ground exists before use.

Due to potential safety hazards, the use of an adapter plug is strongly discouraged. For temporary connections, use only a UL-listed adapter. Ensure that the large slot in the adapter is aligned with the large slot in the outlet.

To prevent damage to the adapter's ground terminal, hold the adapter in place while plugging in or unplugging the air conditioner.

- Attaching the adapter ground terminal to the wall receptacle cover screw does not ground the appliance unless the cover screw is metal and not insulated, and the wall receptacle is grounded through the house wiring.

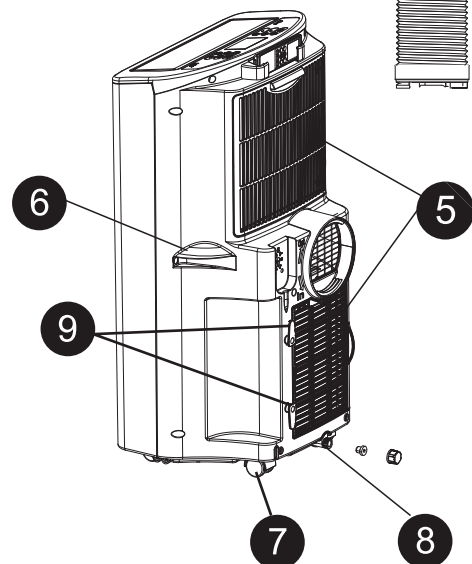
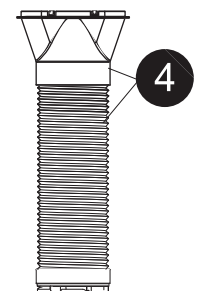
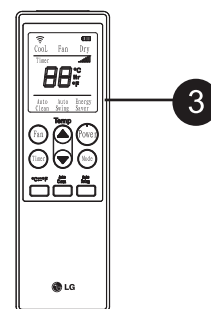
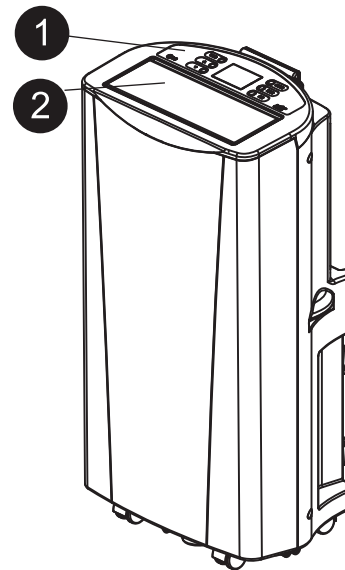
- Frequent connection and disconnection can damage the ground terminal on the adapter. Never use a broken or damaged adapter.

SAVE THESE INSTRUCTIONS

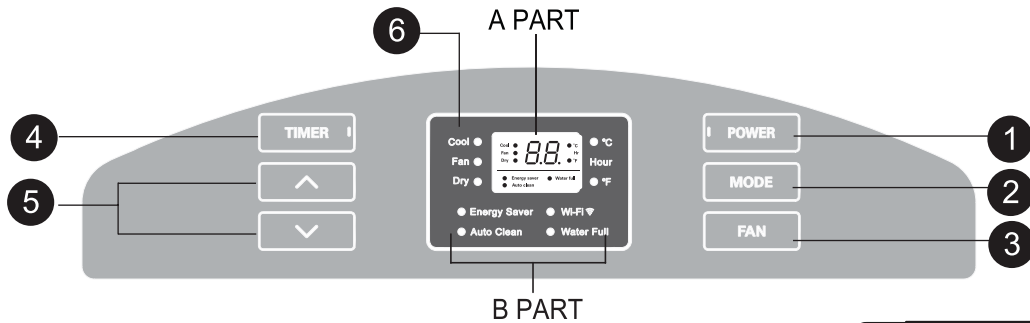
PARTS AND FEATURES

KEY PARTS AND COMPONENTS

- 1 CONTROL PANEL AND DISPLAY**
Easy-to-read white LED display shows the operating state. Digital touch buttons make changing settings quick and easy.
- 2 MOTORIZED AIR DISCHARGE**
The adjustable louvered air discharge opens automatically when the air conditioner is turned on, and closes when it is turned off. It can also be set to oscillate to distribute air more evenly through the room.
- 3 INFRARED REMOTE CONTROL**
The LCD remote control allows you to adjust the temperature and operate most functions of the air conditioner from across the room.
- 4 HOSE AND DIFFUSER**
Use the diffuser and hose to connect the air conditioner to the window installation kit to vent exhaust air outside.
- 5 FILTER**
You can pull out and insert the filter easily.
- 6 HANDLES**
The handles provide a convenient grip when lifting the air conditioner.
- 7 SWIVELING CASTERS**
Swiveling casters allow you to move the air conditioner easily on most floor surfaces.
- 8 BOTTOM DRAIN PORT**
Before moving the air conditioner, drain the internal water in collection tank completely using bottom drain port.
- 9 POWER SUPPLY CORD HOLDER**
Wrap the power supply cord around the holders for your convenience.



CONTROL PANEL AND REMOTE



Operation of functions is the same when using the remote or the control panel, unless otherwise stated.

For detailed instructions on each function, see the following pages.

1 POWER ON/OFF

Turns the air conditioner on and off. When turning on, a rising tone will sound to confirm. When turning off, a descending tone will sound.

2 MODE

Switches the air conditioner between COOL, FAN, DRY, ENERGY SAVER modes. The active mode will be shown in the LED display.

3 FAN

Adjusts the circulation fan speed among low (F1), medium (F2), and high (F3).

4 TIMER

Allows you to set a delay from 1 to 24 hours that will turn the air conditioner on or off automatically.

5 ▲ / ▼ (TEMP/TIMER)

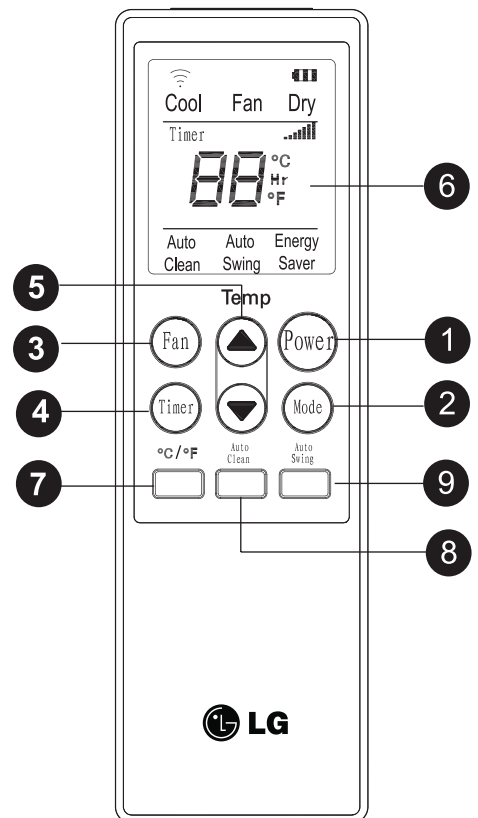
Use these buttons to adjust the set temperature up or down, or to adjust the timer delay time.

6 LED DISPLAY

A PART shows the set temperature (°C or °F), fan speed, or the selected TIMER delay.
B PART shows the active mode (Cool, Fan, Dry Energy Saver), Auto clean, Water Full, WI-FI.

7 °C/°F

Use this button, the temperature display can be switched between degrees Celsius (°C) and degrees Fahrenheit (°F).



8 AUTO CLEAN

The AUTO CLEAN function is used to remove moisture from the heat exchangers and helps prevent odor from forming. This function can be activated from the remote only.

9 AUTO SWING

Sets the motorized air discharge to oscillate, improving air circulation in the room. This function can be activated from the remote only.

NOTICE AUTO RESTART

During operation in failure of electric power, the unit runs as previous setting operation.

HOW TO USE

BEFORE USING YOUR AIR CONDITIONER

PREPARING FOR OPERATION

Refer to the Installation Instructions included in this manual before using the air conditioner. Once the air conditioner has been properly assembled and installed:

- 1 Plug the power cord into its own dedicated properly grounded outlet. Do not plug other appliances into the same outlet; it could overload the outlet and create a fire hazard.
- 2 Make sure the air conditioner and cord is positioned where it does not create a tripping hazard and will receive adequate ventilation. Do not place it directly next to furniture or objects that could block the vent openings.
- 3 Make sure that any items that could be blown over or damaged by the airflow from the fan are out of the airflow path.

UNPACKING THE AIR CONDITIONER

Remove and store packing materials for reuse. Remove any shipping tape before using the air conditioner. If the tape leaves behind any adhesive, rub a small amount of liquid dish soap onto it and wipe with a damp cloth. Do NOT use sharp instruments, alcohol, thinners, or abrasive cleaners to remove adhesive. They could damage the finish.

IMPORTANT:

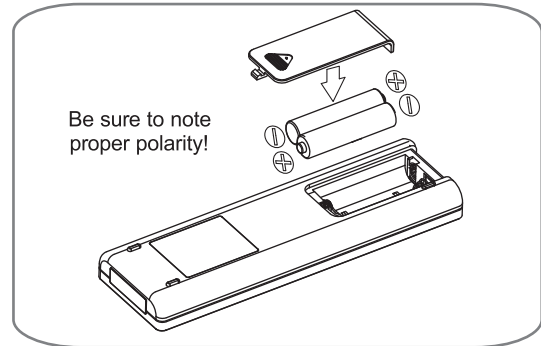
- Do not remain in the direct airflow from the air conditioner for extended periods of time.
- When used at the same time as stoves, fireplaces, and other combustion devices, make sure there is a sufficient flow of fresh air into the room. Do not use in tightly enclosed spaces with these types of devices.
- This air conditioner is intended for household use as a consumer comfort appliance. Do not use it as a precision climate control system, or for purposes such as cooling precision equipment, food, pets, plants, artwork, etc. Such items could be damaged.
- Do not bend the hose downward when window installation kit is not applied. It may cause failure of air conditioner or performance deterioration.

BEFORE USING YOUR AIR CONDITIONER

INSERTING BATTERIES IN THE REMOTE

Before using your remote, install the provided AAA batteries.

- 1 Press and glide the battery cover on the back of the remote, then you can remove the cover.
- 2 Insert two new alkaline AAA batteries into the battery compartment, being sure to note the proper polarity.
- 3 Reattach the battery cover, making sure the locking tab clicks into place.

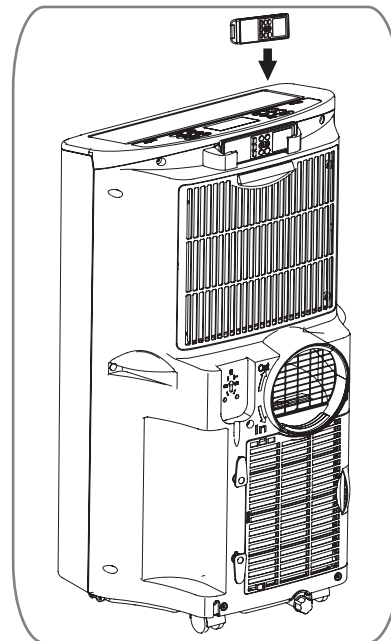


NOTES:

- Use only alkaline batteries. Do not use rechargeable batteries.
- When replacing batteries, always replace both batteries with new batteries. Do not mix old and new batteries.
- If the air conditioner will not be used for an extended period of time, remove the batteries from the remote.

REMOTE STORAGE

Your air conditioner has a special place for convenient storage the remote control. See the drawing to the right.



NOTE:

In order to avoid losing the remote, please put the remote inside of the storage place when you not use it.

⚠ CAUTION

- **If the liquid from the batteries gets onto your skin or clothes, wash it well with clean water.** Do not use the remote if the batteries have leaked.
- **If you eat the liquid from the batteries, brush your teeth and see doctor.** The chemicals in batteries could cause burns or other health hazards.

HOW TO USE

USING THE CONTROLS

Control panel buttons shown. Operation using the remote control is the same, unless specifically noted.

NOTE: The remote sensor is located under the air discharge and on the front panel.

POWER

Press the **POWER** button to turn the air conditioner ON or OFF. When you turn the air conditioner on, an ascending tone will play and the LED display will show the set temperature and any active mode. The air discharge on the top of the air conditioner will automatically open.

When turning the air conditioner off, you will hear a descending tone and the air discharge on the top of the air conditioner will close.

Any control settings such as Mode, Set Temperature, Auto Swing, etc. will be retained in memory when the power is off.

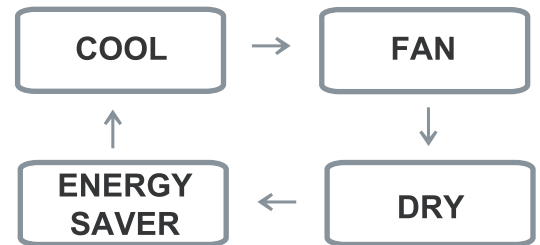
NOTE: When turned on after being unplugged, the air conditioner will automatically reset to COOL mode, with a temperature setting of 72°F. Any settings will need to be re-entered.

MODE

Press the **MODE** button to select the operating mode (COOL, FAN, DRY, ENERGY SAVER) for the air conditioner. And you can see the active mode through the LED Display.

The default setting is COOL. Press the **MODE** button to change to FAN, press again to change to DRY, again to change to ENERGY SAVER, again to change to HEAT and again to return to COOL.

Always point the remote at the sensor. The remote may not work if the sensor is in bright light or if there is not a clear path between the remote and the sensor.



Mode	Features
COOL	Compressor runs and cools the room. Use the ▲ / ▼ and FAN buttons to set the desired temperature and circulation fan speed.
FAN	Fan circulates air but compressor does not run. Use the FAN button to set the desired fan speed.
DRY	Dry mode is used to remove humidity from the room without additional cooling. Once the set temperature is reached, the compressor and circulation fan turns off and only the exhaust fan will run. Fan speed is pre-set and can not be adjusted.
ENERGY SAVER	Under normal operation, the exhaust fan cycles on and off with the compressor, and the circulation fan runs at the set speed. The mode helps reduce power consumption by automatically turning off the circulation fan as well as the exhaust fan when the compressor is off. The air conditioner will automatically cycle both fans on and off with the compressor as needed for cooling.

USING THE CONTROLS

FAN

Pressing the **FAN** button cycles the circulation fan speed from low (F1) to medium (F2) to high (F3). The selected fan speed will be shown in the LED display.

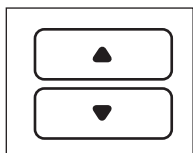


The function can be used in either COOL or FAN modes.

When changing fan speeds, there is a brief delay before the fan motor changes speed.

▲ / ▼ (TEMP/TIMER)

In COOL, and DRY modes, the ▲ / ▼ (TEMP/TIMER) buttons adjust the set temperature up to 86°F or



down to 60°F, in one degree increments. The temperature can be switched between degrees Fahrenheit and degrees Celsius, pressing the ▲ button and ▼ button

at the same time, or pressing °C=°F button on the remote.

When the TIMER function is selected, use the ▲ / ▼ (TEMP/TIMER) buttons to adjust the delay time from 1 to 24 hours, in one hour increments.

If you press and hold the ▲ / ▼ (TEMP/TIMER) buttons, the set temperature or time will change automatically after a few seconds.

NOTE: The displayed temperature is the SET temperature, not the room temperature. In COOL, DRY, ENERGY SAVER mode, the thermostat in the air conditioner will run the compressor until the set temperature is reached, then cycle the compressor on and off to maintain the set temperature.

TIMER

When the **TIMER** function is selected, you can set the air conditioner to either automatically turn OFF or turn ON after a delay of up to 24 hours. The display will show 0. Use the ▲ / ▼ (TEMP/TIMER) buttons to adjust the delay time from 1 to 24 hours, in one hour increments.



To set an automatic off delay, press the **TIMER** button while the air conditioner is running and use the ▲ / ▼ (TEMP/TIMER) buttons to adjust the delay time. The air conditioner will automatically turn OFF after the set delay.

To set an automatic on delay, press the **TIMER** button while the air conditioner is off and use the ▲ / ▼ (TEMP/TIMER) buttons to adjust the delay time.

The display will show the number of hours remaining until the unit is set to come on. The air conditioner will automatically turn ON after the set delay.

If you want to know how many hours you have set, press the **TIMER** button and then you can see the time through the LED display.

If you want to change the set timer, press the **TIMER** button and adjust the time when the number is flickering.

To cancel the Timer function, press the **TIMER** button and adjust the number to 0 when the number is flickering, then the function will be canceled in a few seconds.

Another better method is press the **TIMER** button and press this button again when the number is still flickering.

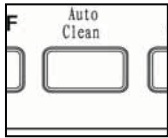
NOTE: Do not unplug the air conditioner when using the timer function.

HOW TO USE

USING THE CONTROLS

AUTO CLEAN

- To turn the **AUTO CLEAN** function on, press the **AUTO CLEAN** button while the air



conditioner is running in COOL, DRY, ENERGY SAVER mode. This function can only be selected from the remote; it is not available from the control panel. It must be

set each time you wish to run the **AUTO CLEAN** function.

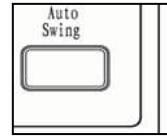
AUTO CLEAN is used to remove moisture from the heat exchange coils. This helps prevent the formation of mildew and odors.

- 1** To use **AUTO CLEAN**
With the air conditioner running in COOL, DRY, ENERGY SAVER mode, press the **AUTO CLEAN** button.
- 2** **AUTO CLEAN** will be displayed in the LED display.
Press the POWER button to turn the air conditioner off. **AUTO CLEAN** will run the circulation and exhaust fans with the compressor off for a few minutes after the power is turned off.

To cancel **AUTO CLEAN**, or to stop an **AUTO CLEAN** cycle in process, simply press the **AUTO CLEAN** button again. The **AUTO CLEAN** function will not operate if the air conditioner is already off.

AUTO SWING

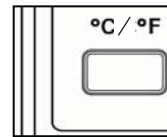
AUTO SWING function can only be activated with the remote. When this function is on, the air discharge will oscillate to circulate air more evenly through the room. To turn this function off, simply press the **AUTO SWING** button with the



remote again.

With **AUTO SWING** off, you may also manually adjust the air discharge to the desired position. It will maintain this position until the air conditioner is turned off or **AUTO SWING** is activated.

°C / °F



When the displayed temperature is °C (or °F), you can press this button to switch to °F (or °C).

LG Smart AC (WI-FI)

LG Smart AC uses WI-FI that allows the user to control the unit with the LG mobile app.

Minimal Specifications

- Android OS 4.0 or higher at 320 x 480 or higher screen resolution.
- iOS 6 or higher at 960 x 640 or higher screen resolution.

Some phones meeting the above criteria may not operate every function of the unit, but phones below this minimum specification cannot operate the unit.

Supported wireless routers

CISCO, APPLE, ASUS, D-LINK, TP LINK, TRENDNET, ACTIONTEC, NETGEAR, 2WIRE

Other routers are not supported for the Wi-Fi application.

The above models are optimized for the Wi-Fi service, but any device that does not meet the minimum system requirements will not be able to run the program.

NOTE : The Wi-Fi app is only compatible with smart phones and is not available for laptops or tablets.

User Guide

- The mobile App will continue to be updated with design and content improvements. Check for updates at the Play Store or the App Store.
- Some models of Wi-Fi-capable units will not have every function available through the mobile App remote control.
- You can check Wi-Fi connection on your app or module after finish the registration.

Setting the Environment

1. Search and download 'LG Smart AC' in Google play or App store.
2. Become a member in LG Smart AC app or web site.
 - North America : <http://us.smarthinq.com>
 - Canada : <http://ca.smarthinq.com>
3. Please log in and register the product.
 - For detail usage guide, refer to the LG Smart AC manual.

NOTE : For details, refer to the following web site.

- North America : <http://us.smarthinq.com>
- Canada : <http://ca.smarthinq.com>

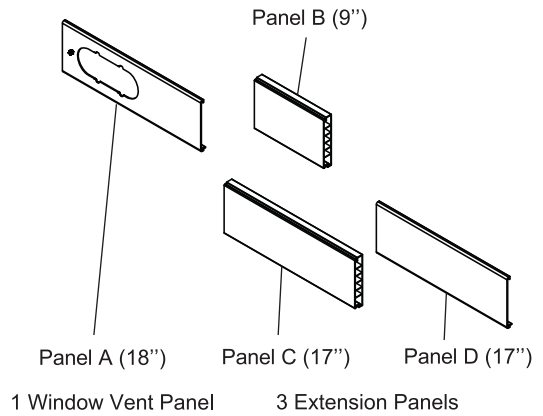
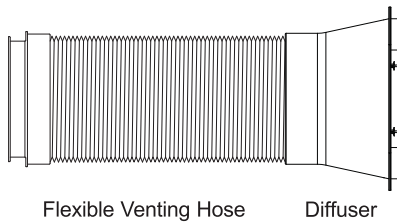
INSTALLATION INSTRUCTIONS

PREPARING FOR INSTALLATION

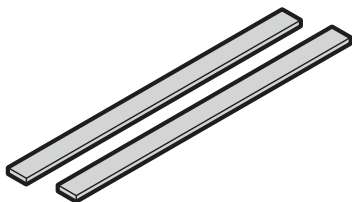
⚠ WARNING The air conditioner is heavy! Use two or more people to lift and install the unit! Failure to do so could result in back injury or other injuries.

EXHAUST COMPONENTS

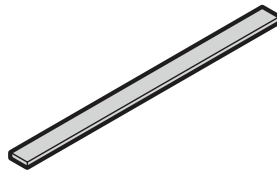
The following components are used for window venting. Not all components are used for every installation.



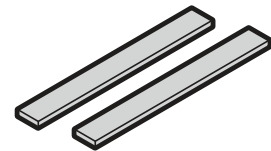
Window Installation Kit (includes 1 Window Vent Panel and 3 Extension Panels)



2 Type A Foam Seals
(Adhesive)



1 Type B Foam Seal
(Non-adhesive)



2 Type C Foam Seals
(Adhesive type-Shorter)



Security Bracket



2 Type A Screws



1 Type B Screw



1 Type C Screw

Additional Parts (For Drainage)

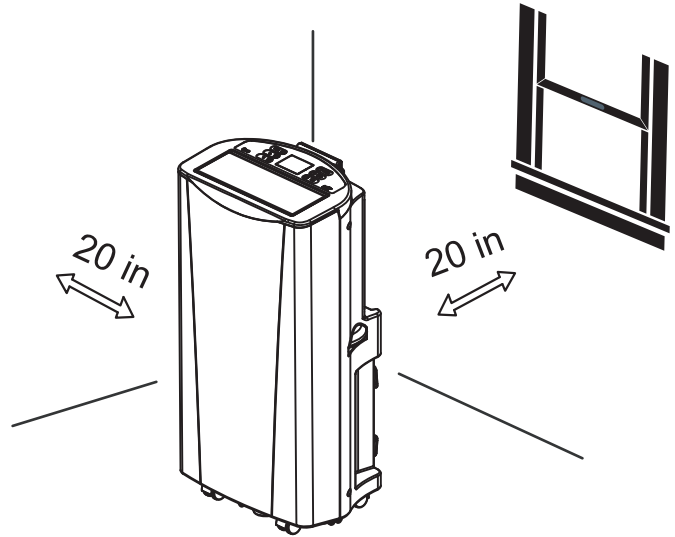


Drain Pipe
(In The Accessory Box)

INSTALLATION INSTRUCTIONS

SELECTION OF INSTALLATION LOCATION

- 1 Place the unit on a level floor.
- 2 For best performance, allow at least 20 in of air space on back side of the unit for good air circulation.
- 3 Place the unit near a window. The hose and diffuser will be used to connect the air conditioner to the window installation kit to vent exhaust air outside.



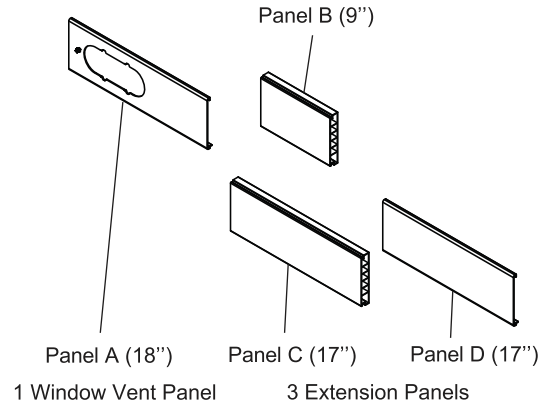
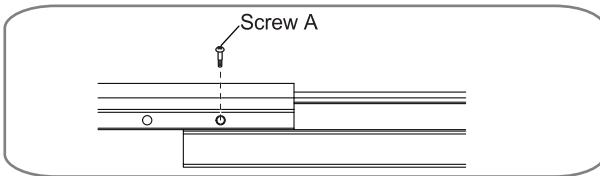
INSTALLATION INSTRUCTIONS

WINDOW VENT PANEL AND EXTENSIONS

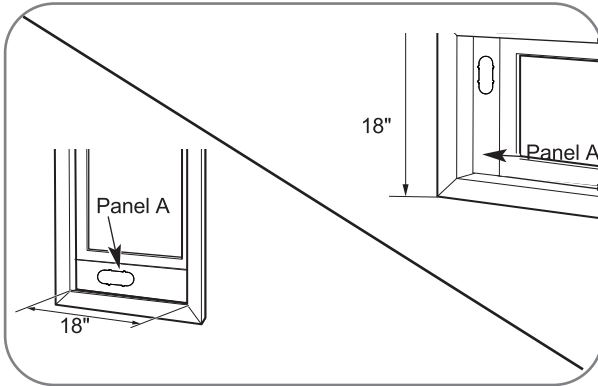
The window installation kit allows you to install the air conditioner in most vertical-sliding windows 18" to 50" wide, or casement-style windows from 18" to 50" high.

Panel \ Window Length	A 18"	B 9"	C 17"	D 17"	Fig.
18"	✓				a
19" - 26"	✓	✓			b
27" - 34"	✓		✓		c
35" - 50"	✓		✓	✓	d

1. Please check your window length and choose the fit panels from the above table.
2. If your window length need more than 2 panels, after adjust the length, please use type A screw to fix them.

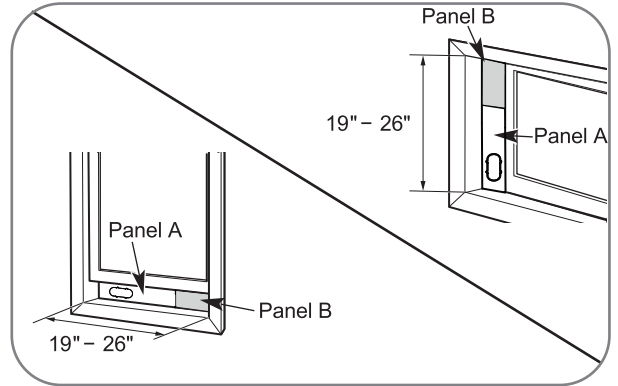


Window Installation Kit (includes 1 Window Vent Panel and 3 Extension Panels)



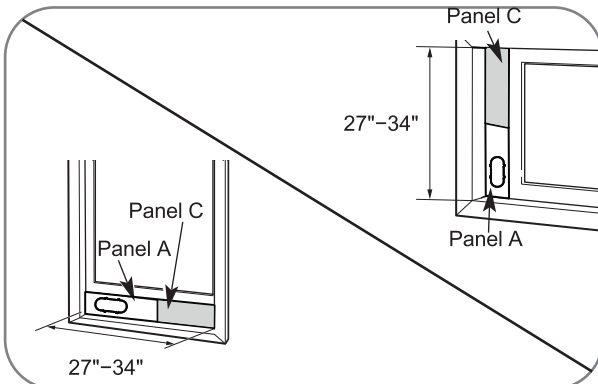
For an 18" window opening, use the window vent panel by itself.

Fig. "a"



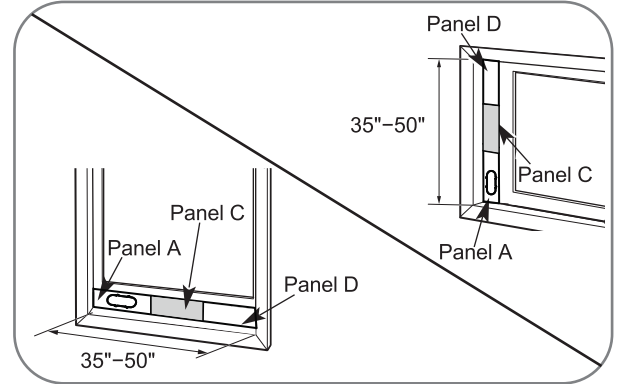
For window openings from 19" to 26", use the window vent panel (Panel A) and an extension panel (Panel B).

Fig. "b"



For window openings from 27" to 34", use the window vent panel (Panel A) and an extension panel (Panel C).

Fig. "c"



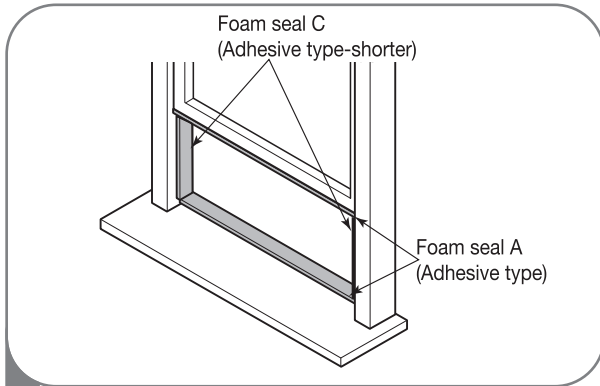
For window openings from 35" to 50", use the window vent panel and two extension panels (Panel C and Panel D).

Fig. "d"

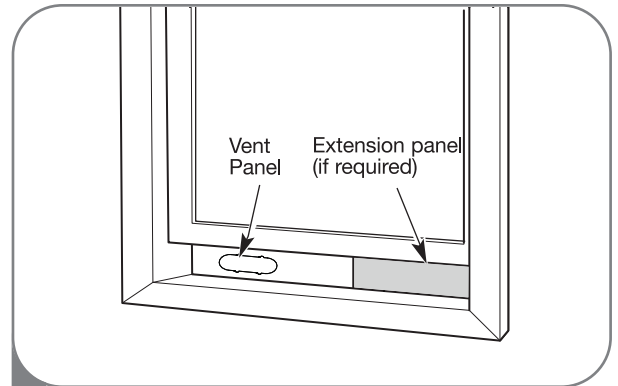
INSTALLATION INSTRUCTIONS

INSTALLATION IN VERTICAL SLIDING WINDOWS

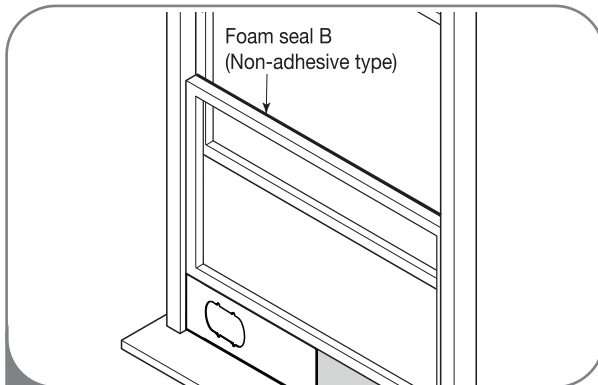
NOTE: The window installation kit can be used with vertical sliding windows between 18" and 50" wide.



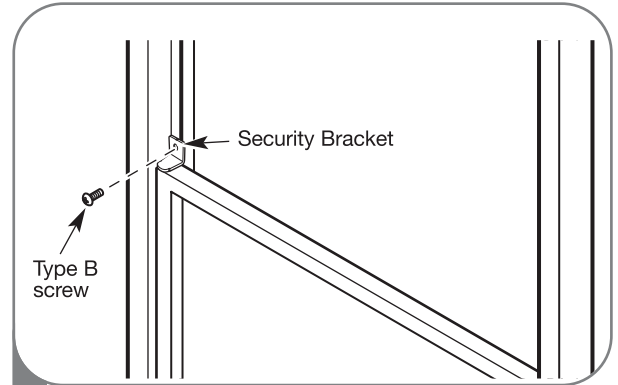
- 1 Cut the foam seal A (adhesive type) & C (adhesive type-shorter) to the proper length, and attach it to the window sash and frame.



- 2 Insert the vent panel assembly, including extension panels, if needed, into the window opening. Extend the extension panels, if used.



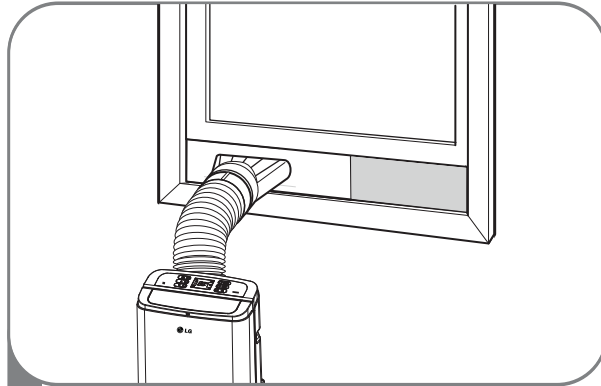
- 3 Cut the foam seal B (Non-adhesive type) to the window width. Stuff the foam seal B between the glass and the window to prevent air and insects from getting into the room.



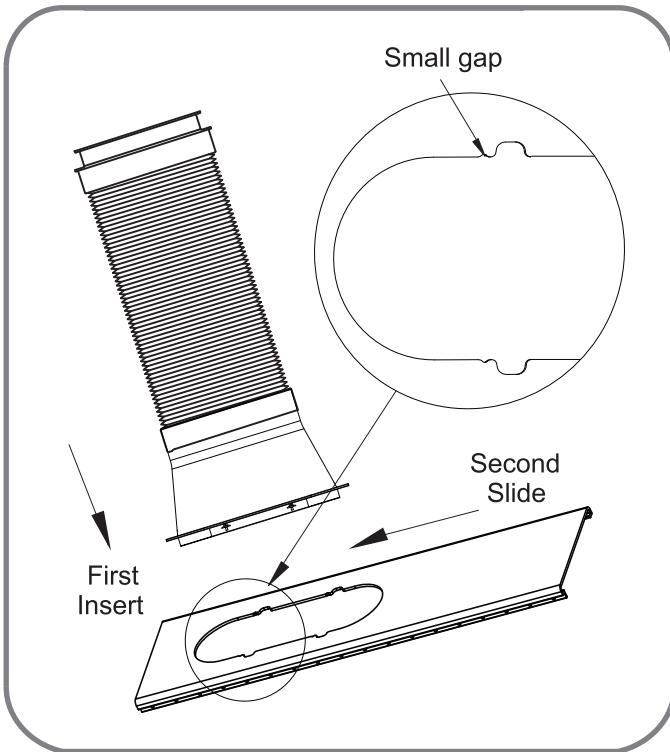
- 4 Install the security bracket with a type B screw as shown if you need.

INSTALLATION INSTRUCTIONS

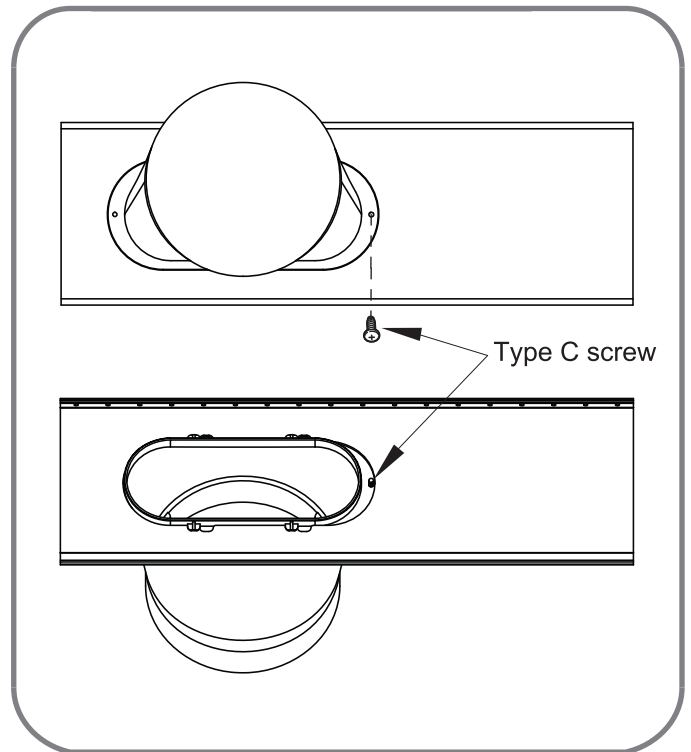
INSTALLATION IN VERTICAL SLIDING WINDOWS



5 Insert the diffuser into the Vent Panel. And then slide.



First insert to the vent panel fully and then slide for locking.

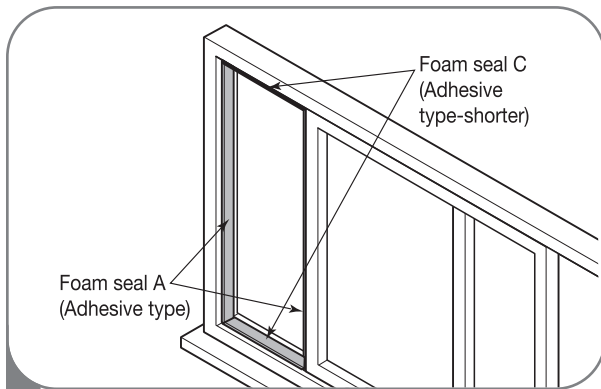


If you want fix the diffuser more firmly, use the type C screw.

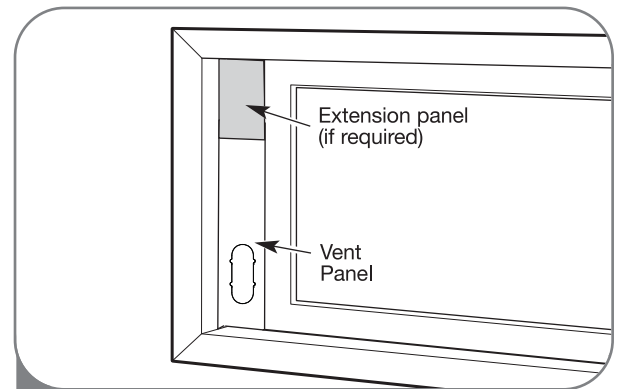
INSTALLATION INSTRUCTIONS

INSTALLATION IN CASEMENT STYLE WINDOWS

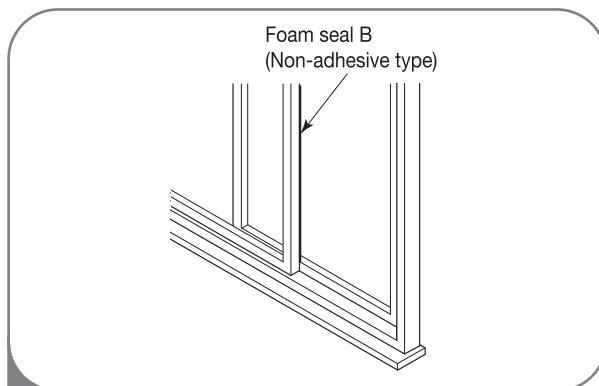
NOTE: The window installation kit can be used with casement windows between 18" and 50" tall.



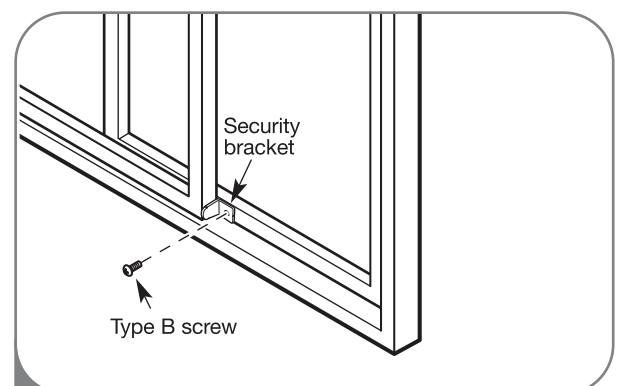
- 1 Cut the foam seal A (adhesive type) & C (adhesive type-shorter) to the proper length, and attach it to the window sash and frame.



- 2 Insert the vent panel assembly, including extension panels, if needed, into the window opening. Extend the extension panels, if used.



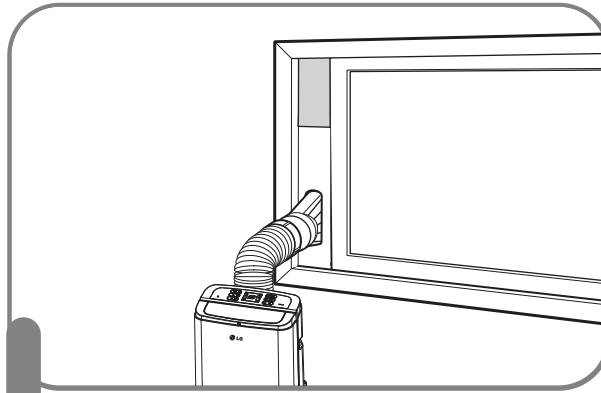
- 3 Cut the foam seal B (Non-adhesive type) to the window height. Stuff the foam seal B between the glass and the window to prevent air and insects from getting into the room.



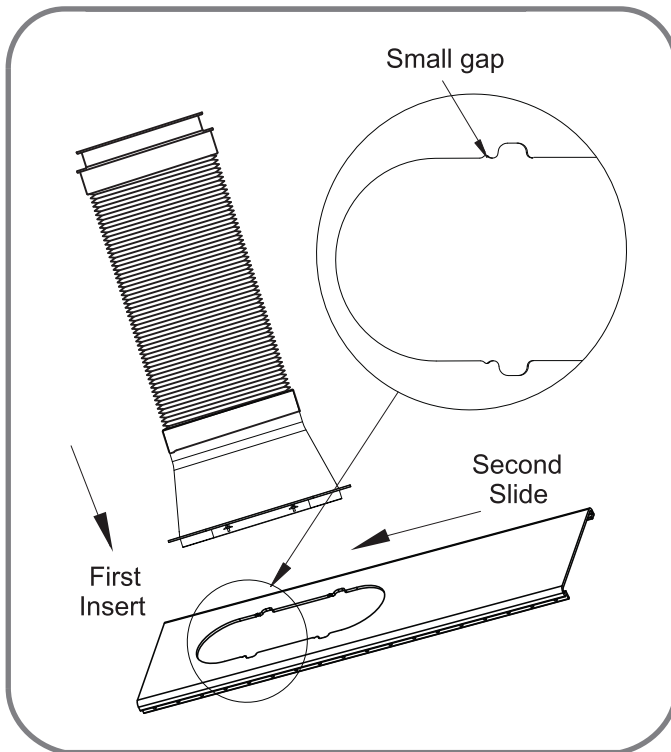
- 4 Install the window security bracket with a type B screw as shown.

INSTALLATION INSTRUCTIONS

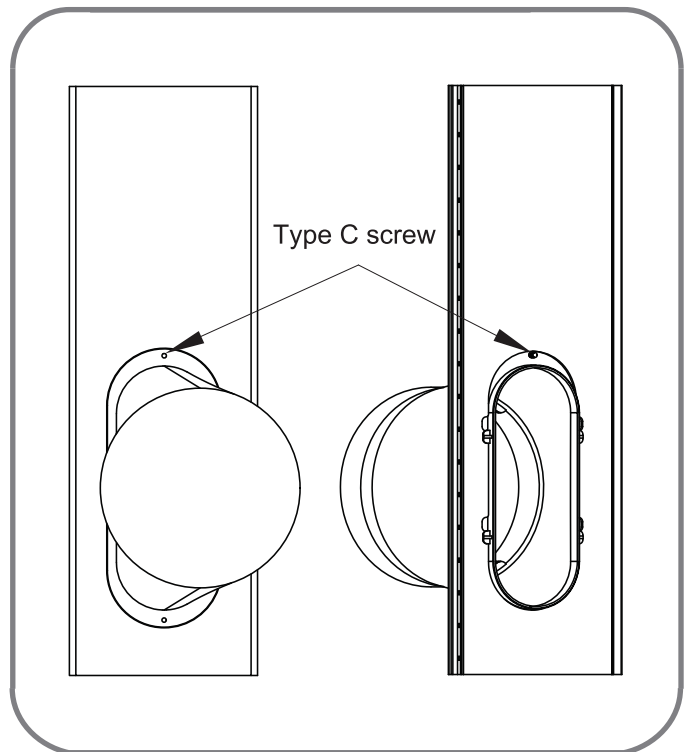
INSTALLATION IN CASEMENT STYLE WINDOWS



5 Insert the diffuser into the Vent Panel. And then slide.



First insert to the vent panel fully and then slide for locking.



If you want fix the diffuser more firmly, use the type C screw.

CARE AND CLEANING

Your air conditioner is designed for year-round operation with only minimal cleaning and maintenance.

For maximum efficiency, it is recommended that you have the cooling coils inspected and cleaned annually. Your local LG Authorized Service Center can provide this inspection and cleaning service for a nominal fee.

WARNING

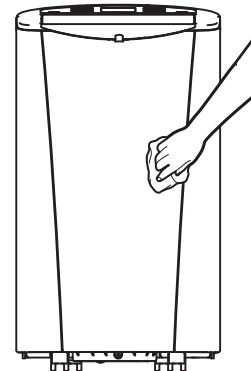
- Unplug the air conditioner before cleaning or performing any maintenance or servicing.
- Be careful when cleaning coils or removing or reinstalling the filter-the cooling fins are sharp!

Failure to follow the above precautions could result in electrical shock or personal injury.

CLEANING THE CASE

Wipe the case with a slightly damp cloth, then wipe dry with a dry cloth or towel.

- To prevent damage to the finish, do not use gasoline, benzene, thinner, etc., or any abrasive cleansers to clean the air conditioner; they may damage the finish.
- Never pour water onto or into the air conditioner. It could damage internal components and create a shock and fire hazard.



CLEANING THE AIR FILTER

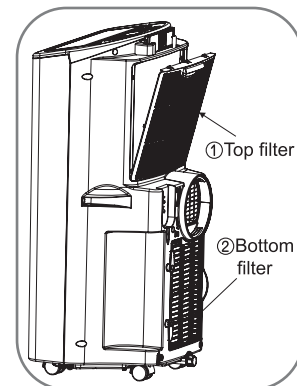
The air filter should be cleaned every two weeks; depending on indoor air quality, more frequent cleaning may be needed. A dirty air filter will decrease airflow and reduce efficiency.

Do not operate the air conditioner without the air filter in place.

- 1 Grasp the grip which is in the center and on the top of the top filter(①) & in the center and on the top of the bottom filter(②) and pull out the filter directly.
- 2 Use a vacuum cleaner to clean the filter. If the filter is heavily soiled, it can be washed in warm water using a mild detergent.

**Do not use harsh cleaners or very hot water.
Do not wash in a dishwasher.**

- 3 Allow the filter to dry completely before reinstalling.
- 4 Reinsert the filter, making sure that the filter are between the tabs and the coil guard. Reinstall the filter cover, making sure it clips into place.



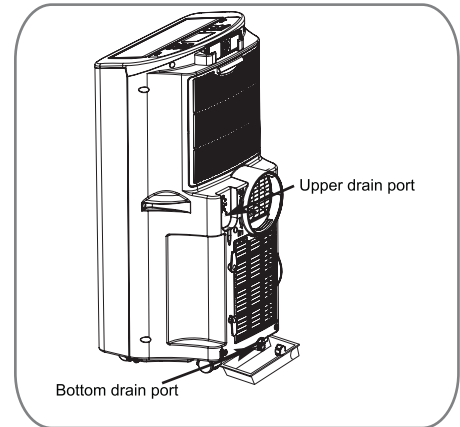
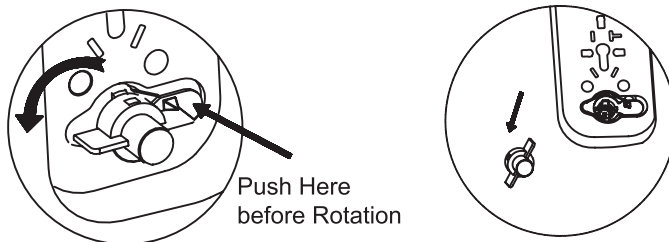
CARE AND CLEANING

EMPTYING THE WATER COLLECTION TANK

When the internal water collection tank is full, FL will appear in the display and the air conditioner will turn off until the tank is emptied.



Using the upper drain port

- 1 Remove the water plug firstly on the back of the product.



- 2 Install end point of the drain pipe to the unit, and put the other end of the pipe into a bucket.
(Bigger than 28oz)

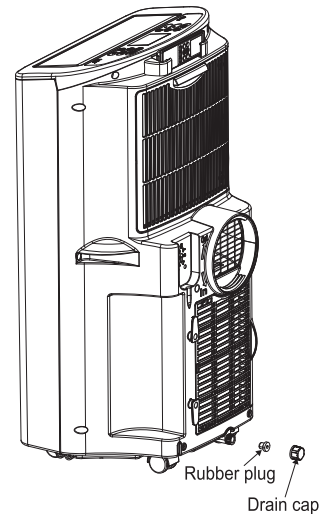


- 3 Press TIMER and DOWN () buttons simultaneously to activate drain pump inside of product.
- 4 This pump will be activated during 3 minutes. (If you want to stop draining before 3 minutes, you can press TIMER and DOWN () buttons simultaneously again.)
- 5 Pull out drain pipe from the product.
- 6 Reassemble the drainage cover.

EMPTYING THE WATER COLLECTION TANK

Using the bottom drain port

- 1 Unplug the air conditioner, disconnect the exhaust hose from the back, and move the air conditioner to a suitable drain location or outdoors. You may also place a pan under the drain that will hold up to 3 pints of water.
- 2 Remove the drain cap and the rubber plug from the drain outlet.
- 3 Once the water collection tank is drained, reinstall the rubber plug and the drain cap, making sure it is on securely.
- 4 Place the air conditioner in the desired location, reconnect the exhaust hose, and plug in the air conditioner.



Use Drain hose when use the DRY mode

- 1 When need running in high humidity, or during the DRY mode remove the drain cap and the exhaust from the back of the unit.
- 2 Install a drain hose (11/16" [18mm] inside diameter) and place the open end of the hose a suitable drain location or outdoors.

NOTICE *FL apperars in the display*

The water collection tank is full, drain the tank and restart the air conditioner.

NOTES: When turned on after being unplugged, the air conditioner will automatically reset to COOL mode, with a temperature setting of 72°F.

CARE AND CLEANING

STORING THE AIR CONDITIONER

If the air conditioner will not be used for an extended period of time:

- 1 To drain the water collection tank completely, leave the bottom drain cap off long enough to allow any residual water to drain out. Once the tank is completely drained and no more water flows out, reinstall the cap.
- 2 Remove and clean the filter, allow it to dry completely, then reinstall it.
- 3 Remove the batteries from the remote.
- 4 Store the air conditioner in a cool, dry location, away from direct sunlight, extreme temperatures, and excessive dust.

Before using the air conditioner again:

- 1 Make sure the filter and drain cap are in place
- 2 Check the power cord to make sure it is in good condition, with no cracks or damage.
- 3 Place new batteries in the remote.
- 4 Install the air conditioner as described in the Installation Instructions.

TROUBLESHOOTING

BEFORE CALLING FOR SERVICE

Before you call for service, review this list. It may save you time and expense. This list includes common occurrences that are not the result of a defect in workmanship or materials.

<i>Self Diagnosis</i>	<i>Possible Causes</i>	<i>What To Do</i>
Air conditioner does not start	The air conditioner is unplugged.	Make sure the air conditioner plug is pushed completely into the outlet.
	The fuse is blown/circuit breaker is tripped.	Check the house fuse/circuit breaker box and replace the fuse or reset the breaker.
	Power failure.	If power failure occurs, turn the mode control to Off. When power is restored, wait 3 minutes to restart the air conditioner to prevent tripping of the compressor overload.
	The current interrupter device is tripped.	Press the RESET button located on the power cord plug. If the RESET button will not stay engaged, discontinue use of the air conditioner and contact a qualified service technician.
	FL appears in the display.	The water collection tank is full. Drain the tank and reset your settings.
	Room temperature is less than the set temperature.	This is normal. The air conditioner automatically shuts off when the room equals or is less than the set temperature. Adjust the temperature setting, if needed.
Air conditioner does not cool as it should	Airflow is restricted.	Make sure there are no curtains, blinds, or furniture blocking the front of the air conditioner.
	The temp control may not be set correctly.	In COOL model, press the DECREASE ▼ pad.
	The air filter is dirty.	Clean the filter at least every 2 weeks. See the Care and Cleaning section.
	The room may have been hot.	When the air conditioner is first turned on, you need to allow time for the room to cool down.
Air conditioner freezing up	The cooling coils are iced over.	Ice may block the air flow and obstruct the air conditioner from properly cooling the room. Set the mode control at High Fan or High Cool .
Air conditioner runs too often or too long	Area to be cooled is too large for the air conditioner.	Consult your dealer for the air conditioner capacity necessary to cool the desired area.
	Doors or windows are open.	Make sure doors and windows are closed.

TROUBLESHOOTING

BEFORE CALLING FOR SERVICE

<i>Self Diagnosis</i>	<i>Possible Causes</i>	<i>What To Do</i>
Code appears in the display. F1, F2 or F3	Air conditioner is in FAN mode and the number shown is the set fan speed.	This is normal. The air conditioner is working properly.
FL	The water collection tank is full.	Empty the water collection tank. See the Care and Cleaning section.
CH01	Short or open circuit in the indoor air thermistor.	Unplug the air conditioner and contact your authorized LG service center.
CH02	Short or open circuit in the indoor pipe thermistor.	Unplug the air conditioner and contact your authorized LG service center.

LG PORTABLE AIR CONDITIONER LIMITED WARRANTY - USA

WHAT THIS WARRANTY COVERS:

LG Electronics U.S.A., Inc. ("LG") warrants your LG Portable Air Conditioner ("product") against defect in materials or workmanship under normal household use, during the warranty period set forth below, LG will, at its option, repair or replace the product. This limited warranty is valid only to the original retail purchaser of the product, is not assignable or transferrable to any subsequent purchaser or user, and applies only when the product is purchased through an LG authorized dealer or distributor and used within the United States ("U.S.") including U.S. Territories.

Note: Replacement products and repair parts may be new or factory-remanufactured and are warranted for the remaining portion of the original unit's warranty period or ninety (90) days, whichever is longer. Please retain dated receipt or delivery ticket as evidence of the Date of Purchase for proof of warranty (you may be required to submit a copy to LG or authorized representative).

WARRANTY PERIOD:

1 year from the Date of Purchase: **Any internal/ functional Parts and Labor.**

HOW SERVICE IS HANDLED: In-Home Service

In-home service will be provided during the warranty period subject to availability within the United States. In-home service may not be available in all areas. To receive in-home service, the product must be unobstructed and accessible to service personnel. If during in-home service repair cannot be completed, it may be necessary to remove, repair and return the product. If in-home service is unavailable, LG may elect, at our option, to provide for transportation of our choice to and from a LG authorized service center.

THIS LIMITED WARRANTY DOES NOT COVER:

1. Service trips to deliver, pick up, or install the product or for instruction on product use.
2. Replacing house fuses or resetting of circuit breakers, correction of house wiring or plumbing, or correction of product installation.
3. Damage or failure caused by leaky/ broken/ frozen water pipes, restricted drain lines, inadequate or interrupted water supply or inadequate supply of air.
4. Damage or failure caused by accidents, pests and vermin, lightning, wind, fire, floods or acts of God.
5. Damage or failure resulting from misuse, abuse, improper installation, repair or maintenance. Improper repair includes use of parts not approved or specified by LG.
6. Damage or failure caused by unauthorized modification or alteration to the product.
7. Damage or failure caused by incorrect electrical current, voltage, or plumbing codes.
8. Cosmetic damage, including scratches, dents, chips or other damage to the finish of the product, unless such damage results from defects in materials or workmanship and is reported to LG within seven (7) calendar days from the date of delivery.
9. Damage or missing items to any display, open box, discounted, or refurbished product.
10. Product where the original factory serial numbers have been removed, defaced or changed in any way.
11. Repairs when product is used in other than normal and usual household use (e.g. rental, commercial use, offices, or recreational facilities) or contrary to the instructions outlined in the owner's manual.
12. The removal and reinstallation of the Product if it is installed in an inaccessible location.

THIS WARRANTY IS IN LIEU OF ANY OTHER WARRANTY, EXPRESS OR IMPLIED, INCLUDING AND WITHOUT LIMITATION TO, ANY WARRANTY OF MERCHANTABILITY OR FITNESS FOR A PARTICULAR PURPOSE. TO THE EXTENT ANY IMPLIED WARRANTY IS REQUIRED BY LAW, THIS WARRANTY IS LIMITED IN DURATION TO THE TERM PERIOD EXPRESSED ABOVE. REPAIR OR REPLACEMENT AS PROVIDED UNDER THIS WARRANTY IS THE EXCLUSIVE REMEDY FOR THE CUSTOMER. NEITHER THE MANUFACTURER NOR ITS U.S. DISTRIBUTOR SHALL BE LIABLE FOR ANY INCIDENTAL, CONSEQUENTIAL, INDIRECT, SPECIAL, OR PUNITIVE DAMAGES OF ANY NATURE, INCLUDING AND WITHOUT LIMITATION TO, LOST REVENUES OR PROFITS, OR ANY OTHER DAMAGE, WHETHER BASED IN CONTRACT, TORT, OR OTHERWISE.

SOME STATES DO NOT ALLOW THE EXCLUSION OR LIMITATION OF INCIDENTAL OR CONSEQUENTIAL DAMAGES OR LIMITATIONS ON HOW LONG AN IMPLIED WARRANTY LASTS, SO THE ABOVE EXCLUSION OR LIMITATION MAY NOT APPLY TO YOU. THIS WARRANTY GIVES YOU SPECIFIC LEGAL RIGHTS AND YOU MAY ALSO HAVE OTHER RIGHTS THAT VARY FROM STATE TO STATE.

HOW TO OBTAIN WARRANTY SERVICE & ADDITIONAL INFORMATION:

Call 1-800-243-0000 or visit our website at www.lg.com.

Mail to: LG Customer Information Center (ATTN: CIC)
201 James Record Road, Huntsville, AL 35824

INTRODUCCIÓN

INSTRUCCIONES DE SEGURIDAD IMPORTANTES

Precauciones básicas de seguridad	31-34
Seguridad eléctrica	34,35

PIEZAS Y CARACTERÍSTICAS

Piezas y componentes clave	36
Panel de control y control remoto	37

CÓMO UTILIZAR EL ARTEFACTO

Antes de utilizar su acondicionador de aire.	38,29
Cómo usar los controles	40-42
LG Smart AC (WI-FI)	43

INSTRUCCIONES DE INSTALACIÓN

Preparación para la instalación	44
Elección de ubicación para la instalación	45
Panel de ventilación y extensiones de la ventana.	46
Instalación en ventanas de deslizamiento vertical	47, 48
Instalación en ventanas de deslizamiento horizontal	49, 50

CUIDADO Y LIMPIEZA

Cómo limpiar el filtro de aire.	51
Cómo limpiar la cubierta	51
Cómo vaciar el tanque de recolección de agua.	52, 53
Cómo guardar el acondicionador de aire.	54

DETECCIÓN DE PROBLEMAS

Antes de llamar al servicio técnico	55, 56
---	--------

GARANTÍA

Información sobre registro de producto.	57
---	----

¡GRACIAS!

Felicitaciones por su compra y bienvenido a la familia de LG. Su nuevo acondicionador de aire LG combina un funcionamiento de alta eficiencia con la comodidad de la portabilidad. Siguiendo las instrucciones de funcionamiento y cuidados de este manual, su acondicionador de aire le brindará muchos años de servicio confiable.

INSTRUCCIONES DE SEGURIDAD IMPORTANTES

PRECAUCIONES BÁSICAS DE SEGURIDAD

Hemos incluido muchos mensajes de seguridad importantes en este manual y en su artefacto. Siempre lea y obedezca todos los mensajes de seguridad.



Este es el símbolo de alerta de seguridad.

Este símbolo lo alerta sobre peligros potenciales que pueden matarlo a lastimarlo a usted o a otros.

Todos los mensajes de seguridad se encontrarán después de los símbolos de alerta de seguridad y de las palabras "ADVERTENCIA" O "PRECAUCIÓN". Estas palabras significan:

⚠ ADVERTENCIA Este símbolo indica la posibilidad de muerte o lesiones graves.

⚠ PRECAUCIÓN Este símbolo indica la posibilidad de lesiones o daños a la propiedad.

■ Significados de los símbolos utilizados en este manual.

	No hacer.
	Siga estas instrucciones.

⚠ ADVERTENCIA

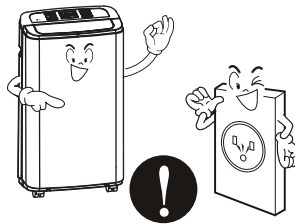
No utilice un cable de alimentación, enchufe o una toma suelta que esté dañada.

- De lo contrario, podría provocar un incendio o descarga eléctrica.



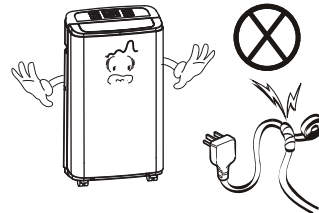
Enchufe siempre a un tomacorriente que tenga toma a tierra.

- De lo contrario, podría provocar un incendio o descarga eléctrica.



No modifique ni alargue el cable de alimentación.

- De lo contrario, puede provocar una descarga eléctrica o incendio debido a la generación de calor.



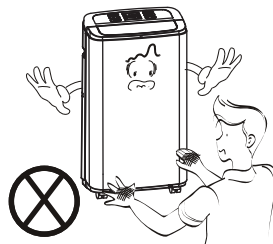
No desmonte ni modifique los productos.

- Puede ocasionar fallos y una descarga eléctrica.



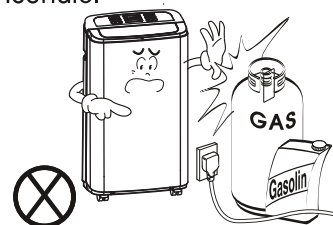
Tenga cuidado al desembalar e instalar el aparato.

- Los bordes afilados pueden provocar lesiones.



No use el cable de alimentación cerca gas inflamable o materiales combustibles tales como la gasolina, benceno, disolvente, etc.

- Podría ocurrir una explosión o incendio.

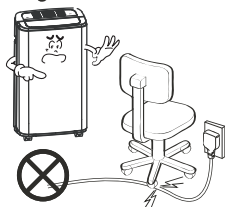


INSTRUCCIONES DE SEGURIDAD IMPORTANTES

■ Operation

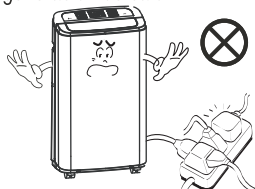
No use el cable de alimentación cerca gas inflamable o materiales combustibles tales como la gasolina, benceno, disolvente, etc.

- Puede ocasionar una explosión o descarga eléctrica.



No comparta el tomacorriente con otros electrodomésticos.

- De lo contrario, puede provocar una descarga eléctrica o incendio debido a la generación de calor.



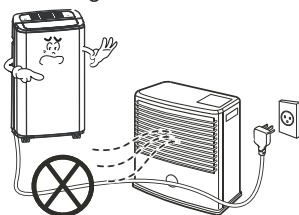
Saque el enchufe en caso de necesidad, sosteniendo la cabeza del enchufe y no lo toque con las manos mojadas.

- De lo contrario, podría provocar un incendio o descarga eléctrica.



No ponga el cable de alimentación cerca de un calentador.

- Puede ocasionar un incendio y una descarga eléctrica.



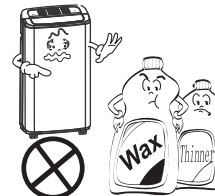
No permita que entre agua en las piezas eléctricas.

- Puede provocar fallos en el producto o descargas eléctricas.



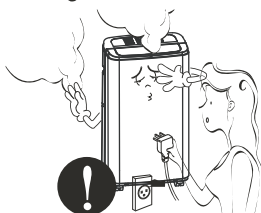
Utilice un paño suave para limpiar. No utilice cera, disolventes o detergentes fuertes.

- La apariencia del aparato de aire acondicionado puede deteriorar, cambiar el color o desarrollar flujos en las superficies.



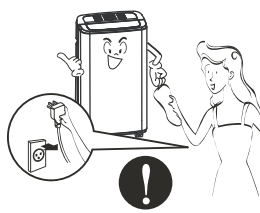
Desenchufe la unidad si oye un sonido extraño, olores, o si observa salir humo.

- De lo contrario, puede ocurrir un incendio y un accidente por descarga eléctrica.



No abra la parrilla de entrada al aparato mientras está en funcionamiento.

- De lo contrario, pueden ocurrir descargas eléctricas y fallos.

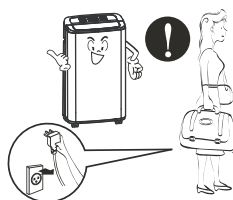


Si entra agua en el producto, apague el interruptor de la carcasa principal del aparato. Póngase en contacto con el centro de servicio después de haber sacado el enchufe del tomacorriente.



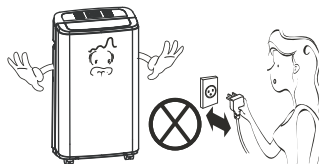
Apague el interruptor de alimentación principal cuando no vaya a utilizar el aparato durante mucho tiempo.

- Evitará el arranque accidental y la posibilidad de lesiones.



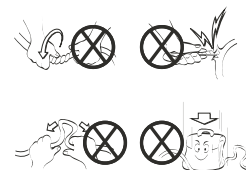
No opere ni detenga la unidad insertando o estirando de enchufe.

- De lo contrario, puede provocar una descarga eléctrica o incendio debido a la generación de calor.



No dañe ni use un enchufe de alimentación no especificado.

- Provocará descargas eléctricas o incendios.



INSTRUCCIONES DE SEGURIDAD IMPORTANTES

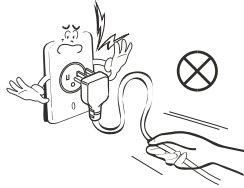
No toque el producto con las manos mojadas o en un ambiente húmedo.

- Provocará descargas eléctricas.



No toque el producto con las manos mojadas o en un ambiente húmedo.

- Provocará descargas eléctricas.



Cuando haya un escape de gas, abra la ventana para ventilar antes de poner en marcha la unidad.

- De lo contrario, podría ocurrir una explosión o incendio.



Para una limpieza interior, póngase en contacto con un Centro de Servicios Autorizado o un revendedor.

No utilice detergentes abrasivos que causan corrosión o dañan la unidad.

Los detergentes abrasivos pueden igualmente provocar un fallo del producto, un incendio o una descarga electrónica.

⚠️ ADVERTENCIA

■ Operación

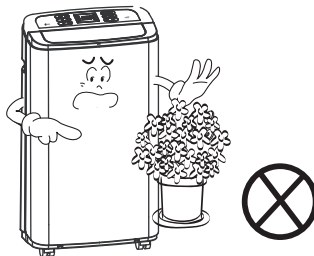
No ponga plantas ni animales en la trayectoria que recorrerá el aire caliente.

- Podría ocasionar lesiones.



No ponga plantas ni animales en la trayectoria que recorrerá el aire caliente.

- Podría ocasionar lesiones.



Utilice un paño suave para limpiar. No utilice cera, disolventes o detergentes fuertes.

- La apariencia del aparato de aire acondicionado puede deteriorar, cambiar el color o desarrollar flujos en las superficies.



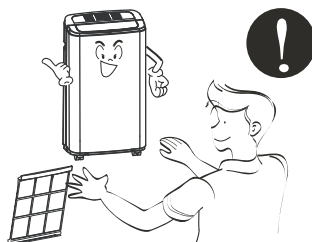
Utilice un paño suave para limpiar. No utilice cera, disolventes o detergentes fuertes.

- La apariencia del aparato de aire acondicionado puede deteriorar, cambiar el color o desarrollar flujos en las superficies.



Inserte siempre el filtro correctamente. Límpielo cada dos semanas.

- El funcionamiento sin filtros puede provocar fallos.



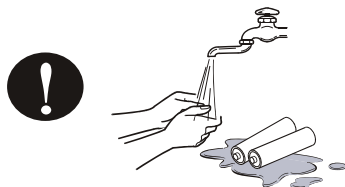
No beba el agua que drena el aparato de aire acondicionado.



INSTRUCCIONES DE SEGURIDAD IMPORTANTES

Si entra líquido de las pilas en contacto con la piel o la ropa, lávela inmediatamente con agua. No utilice el control remoto si las pilas tienen fugas.

- Los productos químicos de las pilas podrían causar quemaduras u otros perjuicios a la salud.



Si el líquido de las pilas alcanzara su boca, cepille sus dientes y consulte a un médico. No utilice el mando a distancia si las pilas han experimentado fugas.

- Los productos químicos de las pilas podrían causar quemaduras u otros perjuicios a la salud.



⚠️ ADVERTENCIA

Peligro de descarga eléctrica

No seguir estas instrucciones puede provocar la muerte, un incendio o una descarga eléctrica.

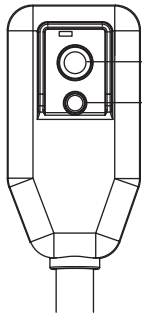
- Esta unidad debe contar con una adecuada conexión a tierra.
- Bajo ninguna circunstancia corte o quite la pata de conexión a tierra.
- Si no cuenta con un tomacorriente con una adecuada conexión, o si existe alguna duda sobre el mismo, un electricista calificado debe verificar el tomacorriente o el circuito, y si fuese necesario, instalar un tomacorriente con adecuada conexión.
- Este acondicionador de aire debe conectarse en un tomacorriente con conexión a tierra de 60 Hz, 120 VAC protegido por una fusible de acción retardada de 15 amperes o un disyuntor.
- Este acondicionador de aire debe instalarse de acuerdo con los códigos nacionales de cableado.
- No altere o modifique el enchufe o cable de este acondicionador de aire. Si el cable de energía se gasta o daña, sólo un técnico calificado puede cambiarlo utilizando piezas de repuesto genuinas.
- No utilice un cable de extensión.

INSTRUCCIONES DE SEGURIDAD IMPORTANTES

LEA TODAS LAS INSTRUCCIONES ANTES DE USAR

SEGURIDAD ELÉCTRICA

DISYUNTOR INTEGRADO

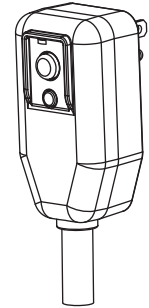


Para seguridad adicional, el cable de energía cuenta con un disyuntor integrado. Los botones de prueba y de reconfiguración se encuentran en el enchufe.

El disyuntor debe probarse en forma periódica presionando el botón TEST (prueba) y

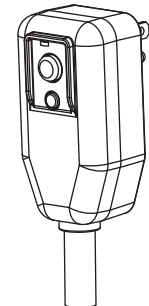
luego el botón RESET (reconfiguración). Si el botón TEST (prueba) no hacen saltar el disyuntor, o si el botón RESET (reconfiguración) no queda trabado, desenchufe el acondicionador de aire de inmediato y comuníquese con un técnico de LG.

MÉTODO DE CONEXIÓN A TIERRA PREFERIDO



Verifique que haya una conexión a tierra adecuada antes del uso.

MÉTODO DE CONEXIÓN A TIERRA TEMPORAL



Verifique que haya una conexión a tierra adecuada antes del uso.

Debido a peligros de seguridad potenciales, recomendamos enfáticamente no utilizar un enchufe adaptador.

Para conexiones temporales, use solo un adaptador listado UL. Verifique que la ranura grande del adaptador esté alineada con la ranura grande del tomacorriente.

Para evitar daños a la terminal de la conexión a tierra del adaptador, sostenga el adaptador en su lugar mientras enchufa o desenchufa el acondicionador de aire.

- **Conectar la terminal de la conexión a tierra del adaptador al tornillo de la tapa del tomacorriente de pared no conectará el artefacto a tierra a menos que el tornillo sea de metal y no aislado, y el tomacorriente de pared esté conectado a tierra a través del cableado doméstico.**

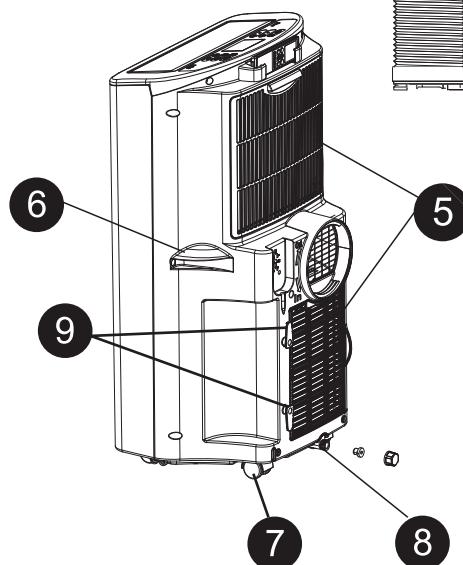
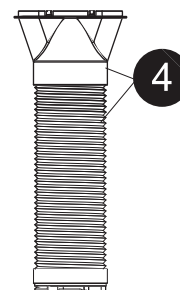
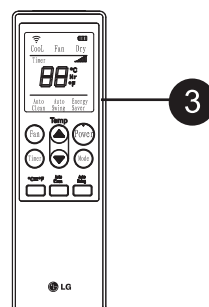
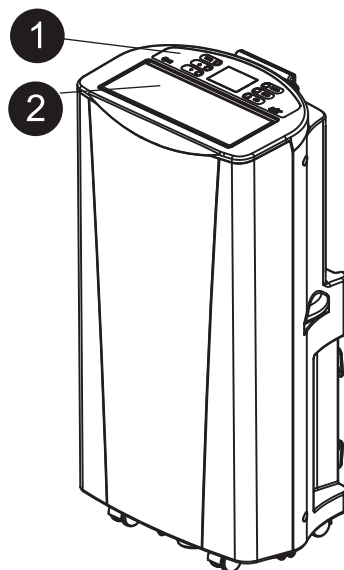
- **Una conexión y desconexión frecuente pueden dañar la terminal de tierra del adaptador. Nunca utilice un adaptador roto o dañado.**

GUARDE ESTAS INSTRUCCIONES

PIEZAS Y CARACTERÍSTICAS

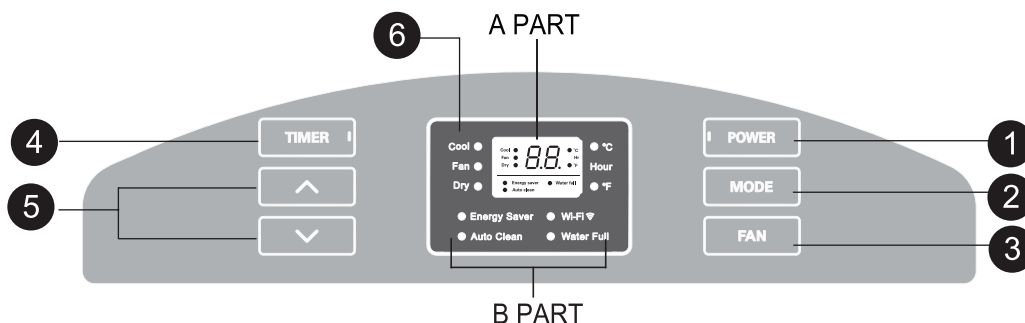
PIEZAS Y COMPONENTES CLAVE

- 1 PANEL DE CONTROL Y PANTALLA**
La pantalla digital de fácil lectura muestra la temperatura configurada y las luces indicadoras indican el modo de funcionamiento. Los simples botones de presión facilitan y aceleran los cambios de configuración.
- 2 SALIDA DE AIRE MOTORIZADA**
La salida de aire ajustable con rejillas se abre automáticamente cuando se enciende el acondicionador de aire, y se cierra cuando se lo apaga. También puede configurarse para oscilar y así distribuir el aire de manera más pareja en toda la habitación.
- 3 CONTROL REMOTO INFRARROJO**
El control remoto le permite ajustar la temperatura y manejar la mayoría de las funciones del acondicionador de aire desde lejos.
- 4 MANGUERA Y DIFUSOR**
Utilice el difusor y la manguera para conectar el acondicionador de aire al equipo de instalación de la ventana para enviar el aire de salida hacia fuera.
- 5 FILTRO**
Puede sacar e insertar el filtro con facilidad.
- 6 TIRADORES**
Los tiradores proporcionarán un agarre cómodo cuando se levanta el aire acondicionado.
- 7 RUEDAS GIRATORIAS**
Las ruedas giratorias le permiten desplazar el acondicionador de aire fácilmente sobre la mayoría de las superficies.
- 8 PUERTO INFERIOR DE DRENAJE**
Antes de desplazar la unidad, drene completamente el depósito interno de recogida de agua mediante el puerto inferior de drenaje.
- 9 SOPORTE DEL CABLE DE ALIMENTACIÓN**
Enrolle el cable de alimentación alrededor del soporte, para su comodidad.



PIEZAS Y CARACTERÍSTICAS

PANEL DE CONTROL Y CONTROL REMOTO



El uso de funciones es el mismo cuando utilice el control remoto o el panel de control, a menos que se indique lo contrario.

Para instrucciones detalladas de cada función, lea las páginas siguientes.

1 **POWER ON/OFF (encendido/apagado)**

Enciende y apaga el acondicionador de aire. Al encenderse, se oír una señal sonora ascendente para confirmar. Al apagar, se oír una señal sonora descendente.

2 **MODE (modo)**

El interruptor de aire acondicionado tiene modos de FRESCO, VENTILACIÓN, SEQUEDAD Y AHORRO DE ENERGÍA. El modo activo se mostrará en la pantalla LCD/LED.

3 **FAN (ventilador)**

Ajusta la velocidad del ventilador de circulación entre baja (F1), media (F2), y alta (F3).

4 **TIMER (temporizador)**

Le permite establecer un retraso de 1 a 24 horas, por eso el aire acondicionado se encenderá o se apagará de forma automática.

5 **▲ / ▼ (TEMP/TIMER) (temperatura/ temporizador)**

Utilice estos botones para subir o bajar la temperatura configurada o para configurar la programación del temporizador.

6 **PANTALLA LED**

A PART muestra la temperatura establecida (°C o °F), la velocidad del ventilador, o el retardo seleccionado del TEMPORIZADOR.

B PART muestra el modo activo (FRESCO, VENTILACIÓN, SEQUEDAD Y AHORRO DE ENERGÍA), Auto limpieza, Agua Llena, WI-FI.

7 **°C/°F**

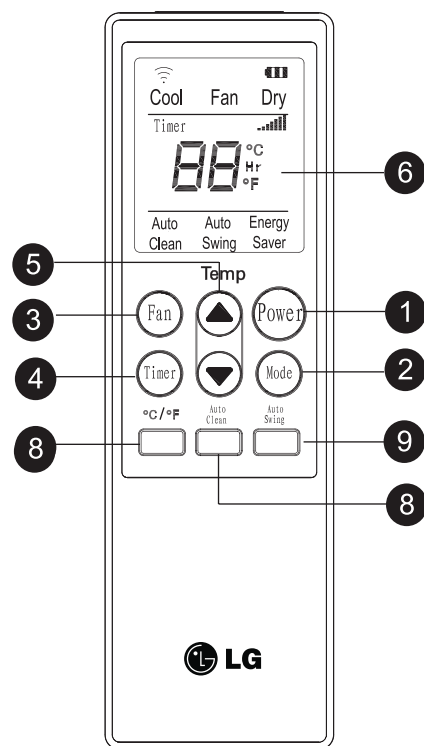
Utilice este botón, y la muestra de temperatura se puede cambiar entre grados Celsius (°C) y Fahrenheit (°F).

8 **AUTO CLEAN (autolimpieza)**

La función de AUTOLIMPIEZA sirve para eliminar la humedad del intercambiador de calor y ayudar a prevenir la formación de olor. Esta función se puede activar solamente desde el remoto.

9 **AUTO SWING (balanceo automático)**

Hace que la salida de aire motorizada oscile, mejorando así la circulación de aire dentro de la habitación. Esta función sólo puede activarse desde el control remoto.



NOTA AUTO-ARRANQUE

En caso de fallo de la corriente eléctrica, la unidad funcionará como antes cuando vuelve la corriente.

CÓMO UTILIZAR EL ARTEFACTO

ANTES DE UTILIZAR EL ACONDICIONADOR DE AIRE

PREPARACIÓN PARA LA OPERACIÓN

Lea las Instrucciones de instalación incluidas en este manual antes de usar el acondicionador de aire.

Una vez que el acondicionador de aire se ha montado e instalado correctamente:

- 1 Conecte el cable en su propia fuente de alimentación bien colocada en el suelo. No conecte otros aparatos en la misma fuente, si no, podría causar una sobrecarga de la toma de corriente y crear un peligro de incendio.
- 2 Asegúrese de que el acondicionador de aire y el cable estén ubicados en un lugar donde nadie pueda tropezarse y donde reciban una ventilación adecuada. No lo coloque directamente al lado de muebles u objetos que podría bloquear las aberturas de ventilación.
- 3 Verifique que los elementos que podrían volarse o dañarse por la corriente de aire proveniente del ventilador no se encuentren en el camino de la corriente.

CÓMO DESEMPACAR EL ACONDICIONADOR DE AIRE

Quite y guarde los materiales de empaque para volverlos a usar.

Quite la cinta de embalaje antes de usar el acondicionador de aire. Si la cinta deja restos de adhesivo, frote una pequeña cantidad de jabón líquido y limpie con un paño húmedo. **NO USE** instrumentos afilados, alcohol, solventes, o limpiadores abrasivos para quitar el adhesivo. Podrían arruinar el acabado.

IMPORTANTE:

- No permanezca frente a la corriente de aire del acondicionador de aire por períodos largos.
- Para evitar el daño o lesión a mascotas o plantas, constate que no estén expuestos a la corriente directa del acondicionador de aire.
- Cuando lo use al mismo tiempo con cocinas, chimeneas, u otros dispositivos de combustión, asegúrese de que haya una suficiente corriente de aire fresco en la habitación. **NO** lo use en espacios muy cerrados con esta clase de dispositivos.
- Este acondicionador de aire es para uso doméstico como un artefacto de confort para el consumidor. **NO** lo use como un sistema de control preciso de clima, o para enfriar equipamientos de precisión, alimentos, mascotas, plantas, obras de arte, etc. Dichos elementos podrían dañarse.
- No doble el tubo flexible hacia abajo si no dispone del conjunto de instalación de la ventana. Se puede dañar el sistema de aire acondicionado o se puede deteriorar su funcionamiento.

CÓMO UTILIZAR EL ARTEFACTO

ANTES DE UTILIZAR EL ACONDICIONADOR DE AIRE

CÓMO COLOCAR LAS BATERÍAS EN EL CONTROL REMOTO

Antes de usar el control remoto, instale las baterías AAA provistas:

- 1 Presione la lengüeta de bloqueo de la tapa de las baterías en la parte trasera del control remoto y quite la tapa.
- 2 Introduzca dos baterías alcalinas nuevas AAA en el compartimento de las baterías, asegurando de utilizar la polaridad correcta.
- 3 Vuelva a colocar la tapa de las baterías, verificando que la lengüeta queda trabada en su lugar.

NOTAS

- Sólo use baterías alcalinas. No utilice baterías recargables.
- Al cambiar las baterías, siempre reemplácelas con unidades nuevas. No mezcle baterías usadas con nuevas.
- Si el acondicionador de aire no será utilizado por un período prolongado, quite las baterías del control remoto.

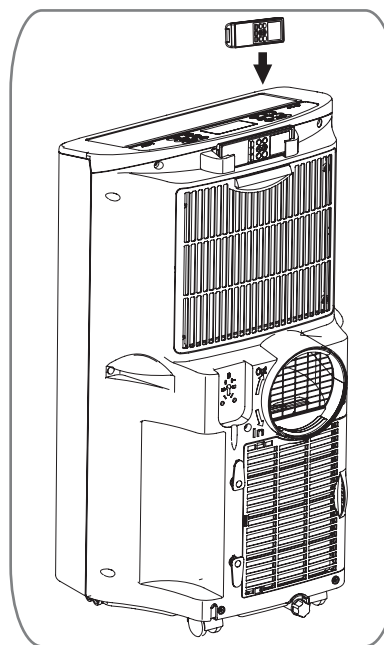
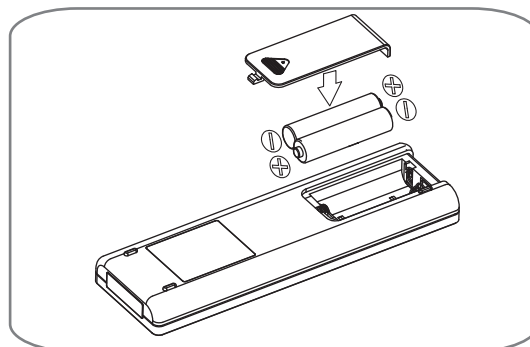
ALMACENAMIENTO DEL REMOTO

Su aire acondicionado tiene un lugar especial para un almacenamiento cómodo del control remoto.

Véase la ilustración derecha.

NOTA:

Con el fin de evitar la pérdida del control remoto, por favor, pongalo dentro de la cajita de almacenamiento cuando no lo usa.



⚠ PRECAUCIÓN

- Si entra líquido de las pilas en contacto con la piel o ropa, lávela inmediatamente con agua. No utilice el control remoto si las pilas tienen fugas.
- Si el líquido de las pilas alcanzara su boca, cepille sus dientes y consulte a un médico. Los productos químicos de las pilas podrían causar quemaduras u otros perjuicios a la salud.

CÓMO UTILIZAR EL ARTEFACTO

CÓMO USAR LOS CONTROLES

A continuación pueden verse los botones del panel de control. La operación con el control remoto es la misma, a menos que se especifique lo contrario. **NOTA:** El sensor remoto se encuentra debajo de la descarga de aire y de arriba del panel frontal.

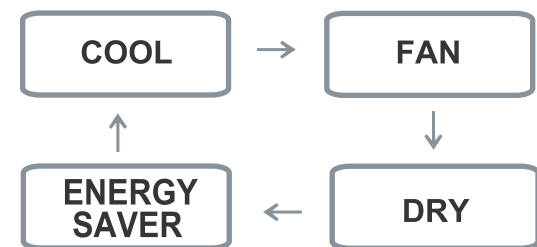
POWER (encendido)

Presione el botón POWER para encender (ON) o apagar (OFF) el acondicionador de aire. Al encender el acondicionador de aire, se oír una señal sonora ascendente y la pantalla mostrará la temperatura configurada e indicadores de configuración de modos especiales. La salida de aire ubicada en el frente del acondicionador de aire se abrirá automáticamente.

Al apagar el acondicionador de aire, se oír una señal sonora descendente y la salida de aire ubicada en el frente del artefacto se cerrará.

Cuando se apague el acondicionador de aire, las configuraciones del control tales como Modo, Temperatura, Balanceo automático, etc., se conservarán en la memoria.

NOTA: Cuando se encienda después de estar desenchufado, el acondicionador de aire volverá a configurarse en el modo COOL (frío), con una temperatura de 72°F. Cualquier clase de configuración deberá volver a ingresarse.



Siempre apunte el control remoto al sensor. El control remoto puede no funcionar si el sensor se encuentra cerca de luces brillantes o si el camino entre el control remoto y el sensor está bloqueado.

MODE (modo)

Apriete el botón MODO para elegir el modo de funcionamiento (FRESCO, VENTILACIÓN, SEQUEDAD Y AHORRO DE ENERGÍA) por el aire acondicionado. Y usted puede ver el modo activo a través de la Pantalla LED.

El valor pre-establecido es FRESCO. Marque el botón MODO para cambiar al modo de VENTILACIÓN, y hagalo una otra vez para cambiar al SECO, una vez más para cambiar al AHORRO DE ENERGÍA, y de nuevo para volver al FRESCO.

Mode	Features
COOL (frío)	El compresor funciona y enfría la habitación. Use los botones TEMP/TIMER ▲ / ▼ y FAN (ventilador) para configurar la temperatura deseada y la velocidad de circulación del ventilador.
FAN (ventilador)	El ventilador hace circular el aire pero el compresor no funciona. Utilice el botón FAN (ventilador) para configurar la velocidad deseada del ventilador.
DRY	El modo seco se utiliza para remover humedad de la habitación sin frío adicional. Una vez que se ha alcanzado la temperatura configurada, el compresor y ventilador de circulación se apagan y sólo el ventilador de salida funcionarán. La velocidad del ventilador está pre-programada y no puede modificarse.
AHORRO DE ENERGÍA	Bajo la operación normal, el ventilador de escape se enciende y se apaga de acuerdo con el compresor, y el ventilador de circulación funciona a la velocidad establecida. El modo ayuda a reducir el consumo de energía a través de apagarse automáticamente el ventilador de circulación y también el de escape cuando el compresor está apagado. El aire acondicionado funcionará automáticamente ambos ventiladores encendidos y apagados de acuerdo con el compresor por la necesidad del enfriamiento.

CÓMO UTILIZAR EL ARTEFACTO

CÓMO USAR LOS CONTROLES

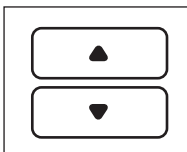
FAN SPEED (velocidad del ventilador)

Presionando el botón **FAN SPEED** la velocidad del ventilador de circulación pasa de baja (F1) a media (F2) a alta (F3). En la pantalla podrá verse la velocidad de ventilador seleccionada. La función puede utilizarse en los modos COOL (frío) o FAN (ventilador). Cuando se cambian las velocidades del ventilador, se produce una pequeña demora antes de que el motor las modifique.



TEMP/TIMER ▲ / ▼ (temperatura/temporizador)

En los modos COOL (frío) y DRY (seco), los botones **TEMP/TIMER ▲ / ▼** modifican la temperatura desde 86°F hasta 60°F, en incrementos de un grado. La temperatura se mide en grados Fahrenheit. No puede cambiarse a grados Celsius.



Cuando se elige la función **TIMER** (temporizador), utilice los botones **TEMP/TIMER ▲ / ▼** (temperatura/temporizador) para ajustar el tiempo de demora de 1 a 24 horas, en incrementos de una hora.

Si presiona y sostiene los botones **TEMP/TIMER ▲ / ▼**, la temperatura configurada o tiempo se modificarán automáticamente después de unos segundos.

NOTA: La temperatura de la pantalla es la CONFIGURADA, **no** la temperatura de la habitación. En los modos COOL (frío) o DRY (seco) el termostato del acondicionador de aire hará funcionar al compresor hasta alcanzar la temperatura configurada, luego encenderá o apagará el compresor para mantener la temperatura configurada.

TIMER 1-24 Hr (temporizador 1-24 hs)

Cuando se elige la función **TIMER** (temporizador), se puede configurar el acondicionador de aire para que se encienda o apague automáticamente después de un tiempo de espera de hasta 24 horas. En la pantalla podrá verse **0**. Utilice los botones **TEMP/TIMER ▲ / ▼** (temperatura/temporizador) para ajustar el tiempo de espera de 1 a 24 horas, en incrementos de una hora.

Para establecer un modo del apagado de retraso, apriete el botón **TEMPORIZADOR** cuando el aire acondicionado está trabajando y marque los botones **▲ / ▼** (TEMPERATURA / Temporizador) para ajustar la demora. El air acondicionado se apagará automáticamente después de estar establecida ésta.

Para establecer un retraso automático, apriete el botón **TEMPORIZADOR** cuando el aire acondicionado está apagado y use los botones **▲ / ▼** (TEMPERATURA / Temporizador) para ajustar el tiempo de retraso.

La pantalla va a mostrar cuántas horas quedan hasta que la unidad se vaya a encender. El aire acondicionado va a encender automáticamente después de la demora establecida.

Si quiere usted conocer cuántas horas ha establecida, apriete el botón **Temporizador** y entonces puede ver el tiempo mostrado en la pantalla LED. Si quiere cambiar el tiempo establecido, marque el botón **Temporizador** y ajústelo cuando el número está centellando. Para cancelar la función **Temporizador**, es una manera apretar el botón **Temporizador** y ajustar el número hasta "0" cuando el número está entrelando, y la misma función va a cancelarse en unos segundos.

Una mejor manera es apretar el botón **Temporizador** y hacerlo de nuevo cuando el número está aún entrelando.

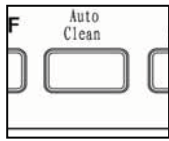
NOTA: No desenchufe el acondicionador de aire cuando utilice la función de temporizador.

CÓMO UTILIZAR EL ARTEFACTO

CÓMO USAR LOS CONTROLES

AUTO CLEAN(autolimpieza)

- Para encender la función de **AUTO CLEAN**, apriete el botón **AUTO CLEAN**, cuando el aire acondicionado está trabajando en modos de como **FRESCO**, **SECO** o **AHORRO** de **ENERGÍA**. Dicha función se selecciona sólo desde el panel.



Se debe establecer nuevamente cada vez cuando quiere usted lanzar la función de **AUTO CLEAN**.

AUTO CLEAN, sirve para eliminar la humedad de la bobina de intercambio de calor. Eso ayuda a prevenir la formación de mildiu y olores.

- 1 Para utilizar **AUTO CLEAN**
Al funcionar el aire acondicionado en modo de **FRESCO**, **SEQUEDAD** o **AHORRO** de **ENERGÍA**, apriete el botón de **AUTO CLEAN**.

- 2 **AUTO CLEAN** se mostrará en la pantalla LED.

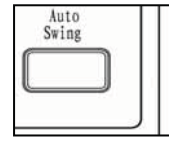
Predione el botón **POWER** para apagar el acondicionador de aire. **AUTO CLEAN** hará funcionar los ventiladores de circulación y de salida con el compresor apagado durante unos minutos más.

Para cancelar **AUTO CLEAN**, o para detener un ciclo de **AUTO CLEAN** en marcha, simplemente presione el botón **AUTO CLEAN** de nuevo. La función **AUTO CLEAN** no se activará si el acondicionador de aire ya está apagado.

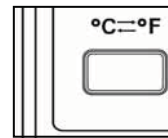
AUTO SWING(balanceo automático)

La función **AUTO SWING** solo puede activarse mediante el control remoto. Cuando esta función se encuentra activada, la salida de aire se balancea para hacer circular el aire de modo más parejo en toda la habitación. Pa apagar esta función, presione de nuevo el botón **AUTO SWING** mediante el control remoto. Esta configuración se conservará en la memoria, aún si se apaga el artefacto.

Con la función **AUTO SWING** apagada, también se puede ajustar manualmente la salida de aire en la posición deseada. Mantendrá está posición hasta que el acondicionador de aire se apague o se active la función **AUTO SWING**.



°C / °F



Cuando la temperatura mostrada es °C (o °F), puede apretar el botón para cambiar el °F (o °C).

CÓMO UTILIZAR EL ARTEFACTO

LG Smart AC (WI-FI)

LG Smart AC utiliza WI-FI que permite al usuario controlar la unidad con la aplicación LG móvil.

Especificaciones mínimas

- Android OS 4.0 o posterior con resolución de pantalla 320 x 480 o mayor.
- iOS 6 o posterior con resolución de pantalla 960 x 640 o mayor.

Algunos teléfonos que cumplen los criterios indicados pueden no ejecutar todas las funciones de la unidad, pero los teléfonos por debajo de esta especificación mínima no pueden usarse para manejar la unidad.

Routers inalámbricos compatibles

CISCO, APPLE, ASUS, D-LINK, TP LINK, TRENDNET, ACTIONTEC, NETGEAR, 2WIRE
Otros routers no son compatibles con la aplicación Wi-Fi.

Los modelos citados están optimizados para el servicio Wi-Fi, pero los dispositivos que no cumplan los requisitos mínimos del sistema no podrán ejecutar el programa.

NOTA : La aplicación Wi-Fi solo es compatible con smartphones y no está disponible para ordenadores portátiles o tablets.

Guía de usuario

- La aplicación móvil continuará actualizándose con mejoras de diseño y contenido. Compruebe las actualizaciones en Play Store o App Store.
- Algunos modelos de unidades con capacidad Wi-Fi no tendrán disponibles todas las funciones a través del control remoto de la aplicación móvil.
- Puede comprobar la conexión Wi-Fi en su aplicación o módulo tras completar el registro.

Ajuste del entorno

1. Busque y descargue la aplicación 'LG Smart AC' en Google Play o App Store.
2. Hágase miembro en la aplicación LG Smart AC o en el sitio Web.
 - Norteamérica: <http://us.smarthinq.com>
 - Canadá: <http://ca.smarthinq.com>
3. Inicie sesión y registre el producto.
 - Para una guía detallada de uso, Consulte el manual de LG Smart AC.

NOTA : Para más información, consulte el sitio Web siguiente.

- North America : <http://us.smarthinq.com>
- Canada : <http://ca.smarthinq.com>

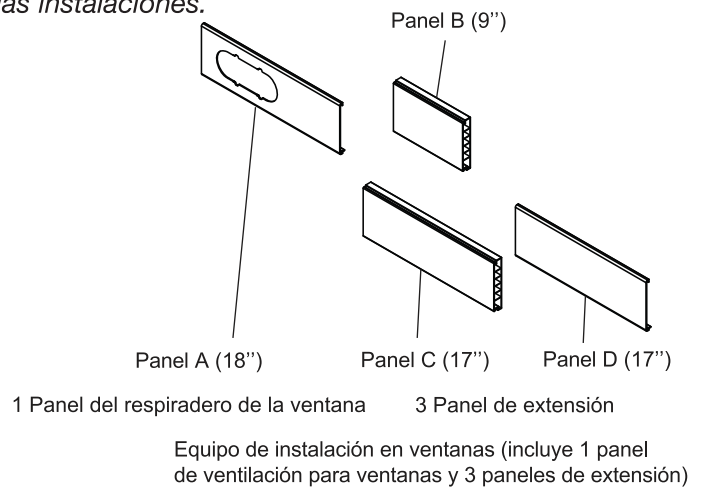
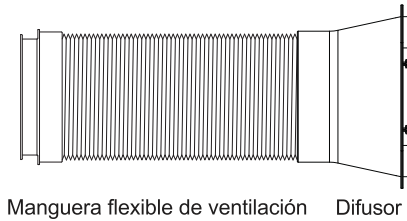
INSTRUCCIONES DE INSTALACIÓN

PREPARACIÓN PARA LA INSTALACIÓN

⚠ ADVERTENCIA ¡El acondicionador de aire es pesado! ¡Utilice dos o más personas para levantar e instalar la unidad! No hacerlo puede provocar lesiones en la espalda u otras lesiones.

COMPONENTES DE SALIDA

Los siguientes componentes se usan para la ventilación de la ventana.
No todos los componentes se utilizan en todas las instalaciones.



Soporte de seguridad



2 tornillos Tipo A



1 tornillos Tipo B



1 tornillos Tipo C

Piezas adicionales

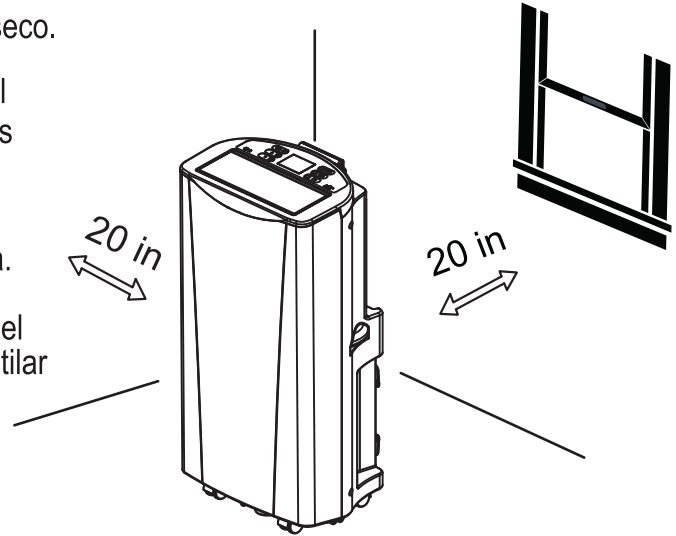


Tubo de Dren (en caja de accesorios)

INSTRUCCIONES DE INSTALACIÓN

ELECCIÓN DE UBICACIÓN PARA LA INSTALACIÓN

- 1 Instale la unidad sobre un sitio plano y seco.
- 2 Para lograr un mejor rendimiento, deje al menos 20 in de espacio a todos los lados de la unidad para una buena circulación de aire.
- 3 Coloque la unidad cerca de una ventana. La manguera y el difusor se utiliza para conectar el acondicionador de aire para el kit de instalación de la ventana para ventilar fuera de escape de aire.



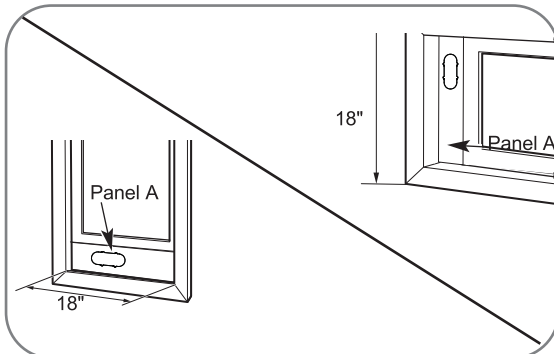
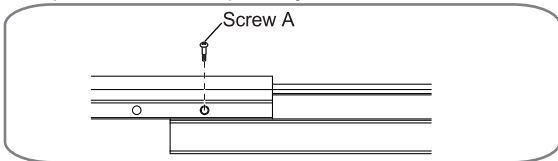
INSTRUCCIONES DE INSTALACIÓN

PANEL DE VENTILACIÓN Y EXTENSIONES DE LA VENTANA

El kit de instalación de la ventana permite que usted instale los acondicionadores de aire en la mayoría de las ventanas vertical-que resbalan 18" a 50" de par en par, o las ventanas del marco-estilo a partir del 18" a 50" arriba.

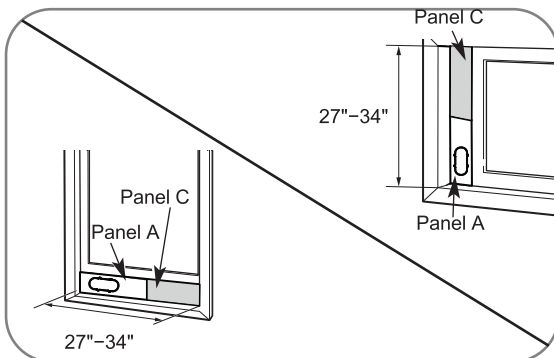
Panel	A	B	C	D	Fig.
Longitud de la ventana	18"	9"	17"	17"	
18"	✓				a
19" - 26"	✓	✓			b
27" - 34"	✓		✓		c
35" - 50"	✓		✓	✓	d

1. Compruebe por favor su longitud de la ventana y eligió los paneles aptos del tabel antedicho.
2. Si la longitud de la ventana es mas de 2 paneles, después de ajusta la longitud. Utilice por favor el tipo tornillo de A para fijarlos.



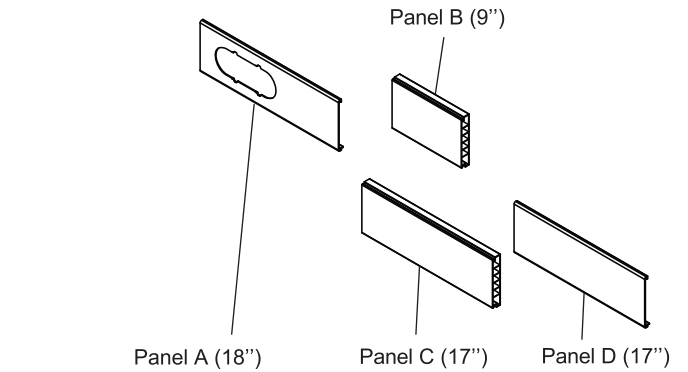
Para 18" la abertura de la ventana, utiliza el panel del respiradero de la ventana por sí mismo. Fig. "a"

Fig. "a"



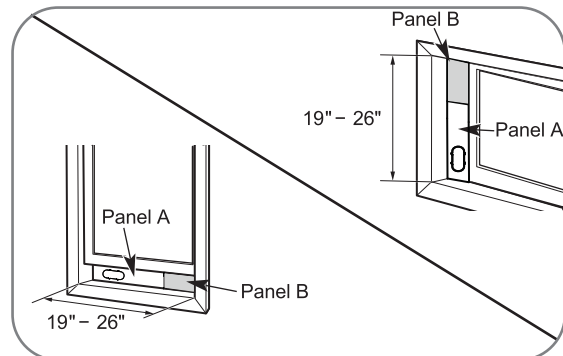
Para las aberturas de la ventana a partir de 27" a 34", utilice el panel del respiradero de la ventana (artesonado A) y un panel de la extensión (panel C). Fig. "c"

Fig. "c"



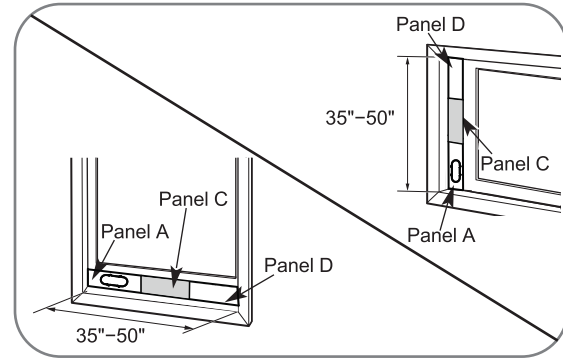
1 Panel del respiradero de la ventana 3 Panel de extensión

Equipo de instalación en ventanas (incluye 1 panel de ventilación para ventanas y 3 paneles de extensión)



Para las aberturas de la ventana a partir de 19" a 26" el panel del respiradero de la ventana (artesonado A) y un panel del extension (panel B). Fig. "b"

Fig. "b"



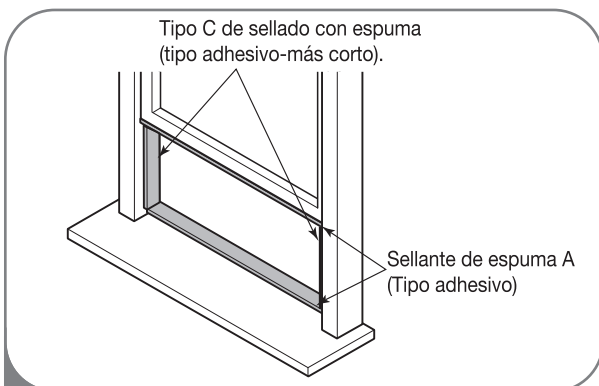
Para las aberturas de la ventana a partir del 35" a 50", utilice el panel del respiradero de la ventana y dos paneles de la extensión (el panel C y artesona D). Fig. "d"

Fig. "d"

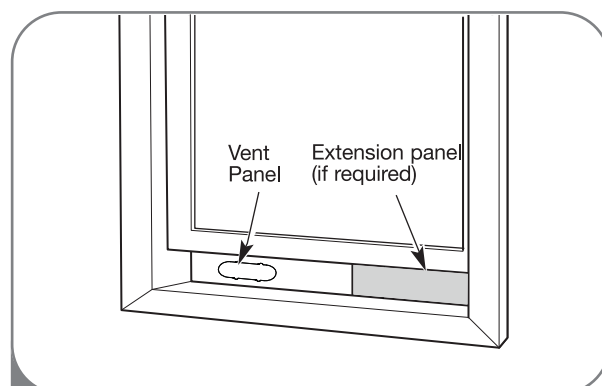
INSTRUCCIONES DE INSTALACIÓN

INSTALACIÓN EN VENTANAS DE DESLIZAMIENTO VERTICAL

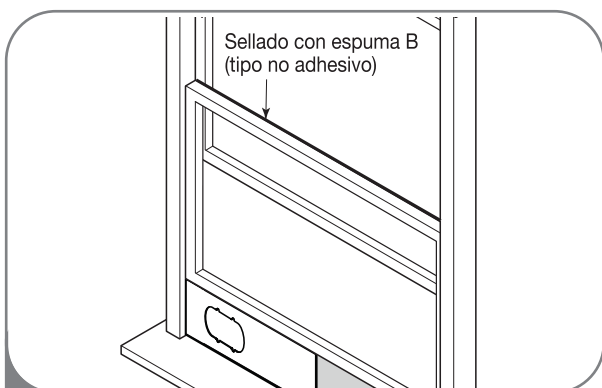
NOTA: El kit de instalación de la ventana se puede utilizar con la vertical que resbala ventanas entre 18" y 50" de ancho.



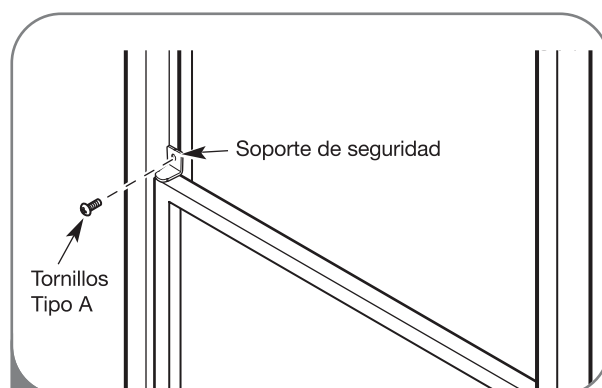
- 1 Corte la espuma A (tipo adhesivo) y C (tipo adhesivo-más corto) según la longitud adecuada, y colóquelo en la hoja y el marco de la ventana.



- 2 Introduzca el montaje de panel de ventilación, incluyendo los paneles de extensión, si fueran necesarios, en la abertura de la ventana. Extienda los paneles de extensión, si los está utilizando.



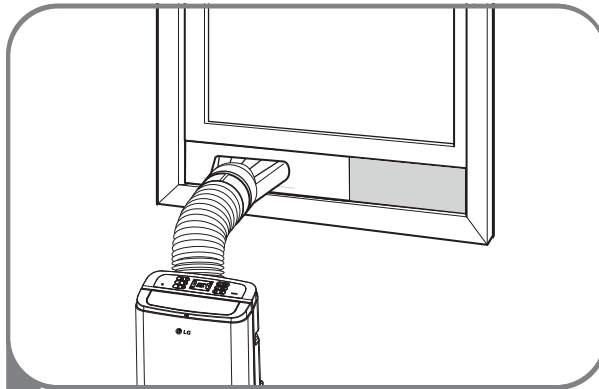
- 3 Corte la espuma B (tipo no adhesivo) según el ancho de la ventana. Rellene con la espuma B la separación existente entre el cristal y la ventana a fin de prevenir la entrada de aire o insectos en la habitación.



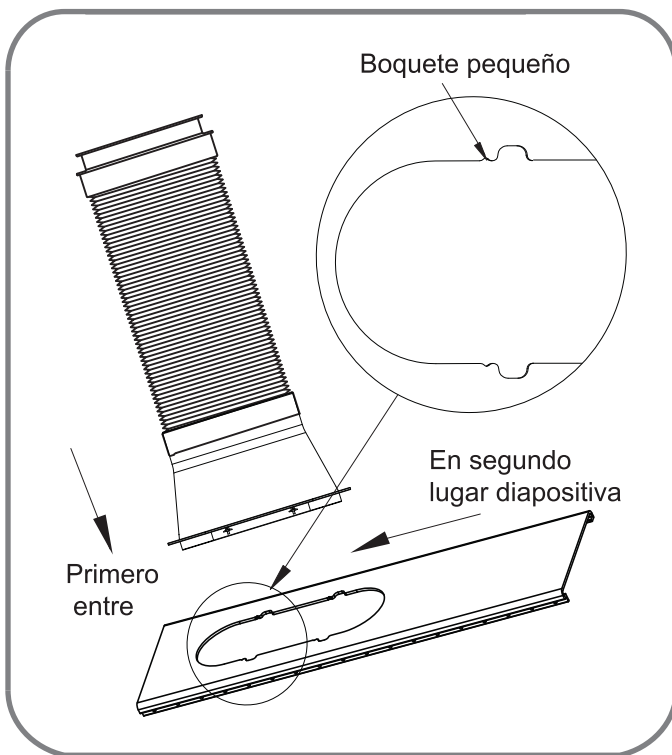
- 4 Instale el soporte de seguridad con un tornillo tipo A, como puede verse.

INSTRUCCIONES DE INSTALACIÓN

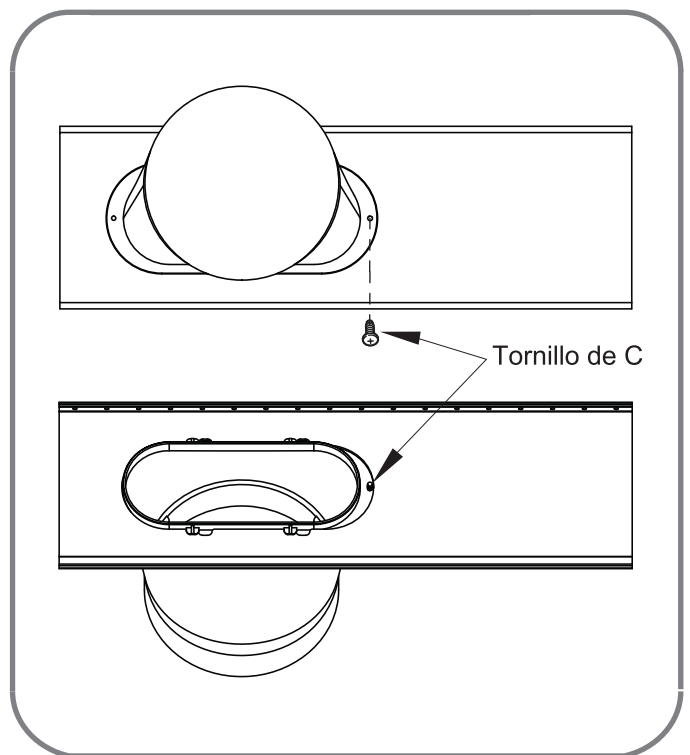
INSTALACIÓN EN VENTANAS DE DESLIZAMIENTO VERTICAL



5 Inserte el difusor en el panel del respiradero.
Y entonces resbale.



Primero entre el panel del respiradero
completamente y entonces resbala para
asegurar.

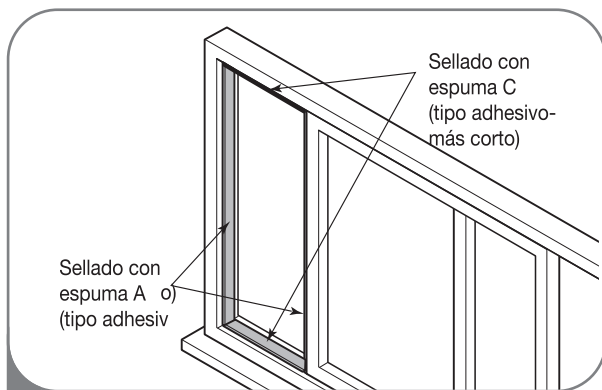


Si usted desea arreglo el difusor más
firmemente, utilice el tipo tornillo de C.

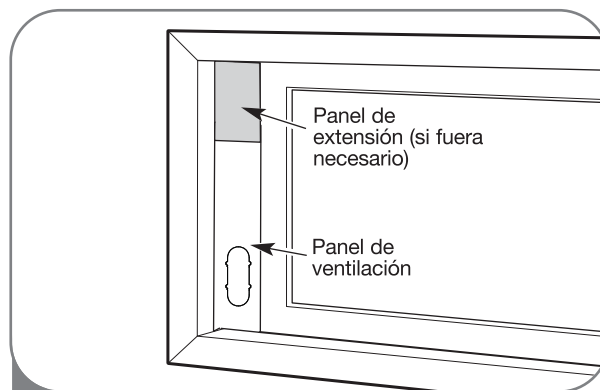
INSTRUCCIONES DE INSTALACIÓN

INSTALACIÓN EN VENTANAS DE DESLIZAMIENTO HORIZONTAL

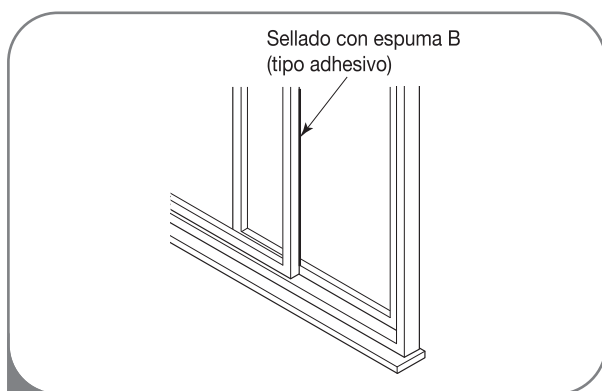
NOTE: El kit de instalación de la ventana se puede utilizar con la vertical que resbala ventanas entre 18" y 50" altos.



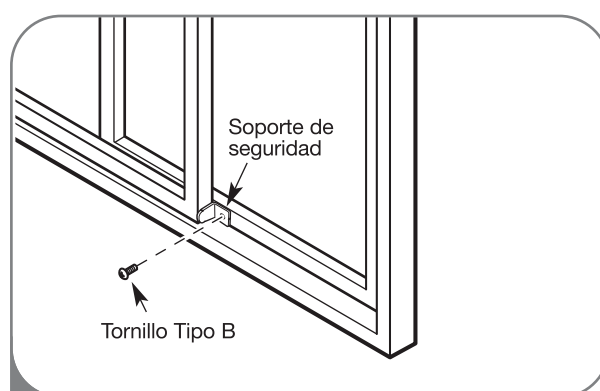
- 1 Corte la espuma A (tipo adhesivo) y C (tipo adhesivo-más corto) según la longitud adecuada, y colóquelo en la hoja y el marco de la ventana.



- 2 Introduzca el montaje de panel de ventilación, incluyendo los paneles de extensión, si fueran necesarios, en la abertura de la ventana. Extienda los paneles de extensión, si los está utilizando.



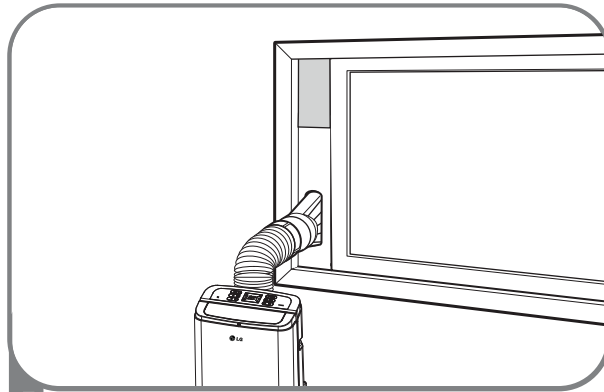
- 3 Corte la espuma B (tipo no adhesivo) según el ancho de la ventana. Rellene con la espuma B la separación existente entre el cristal y la ventana a fin de prevenir la entrada de aire o insectos en la habitación.



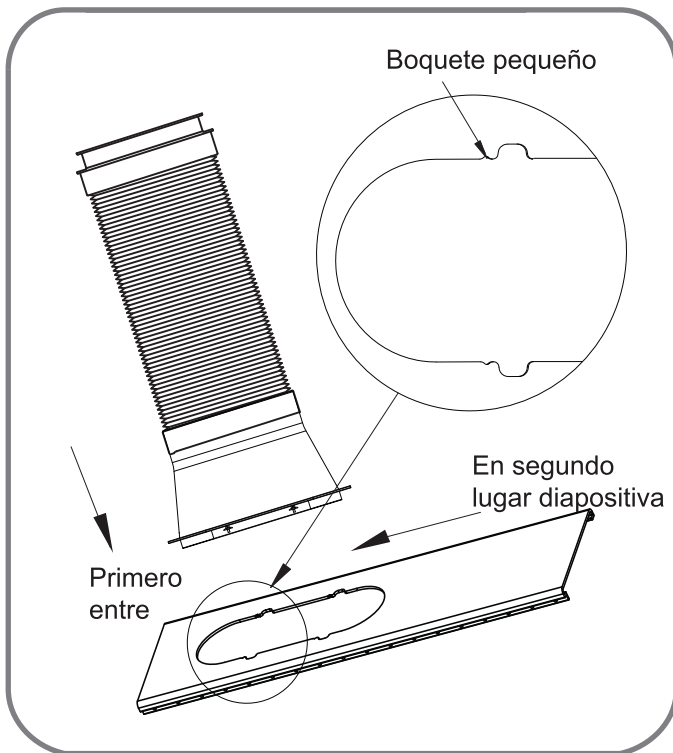
- 4 Instale el soporte de seguridad con un tornillo tipo B, como puede verse.

INSTRUCCIONES DE INSTALACIÓN

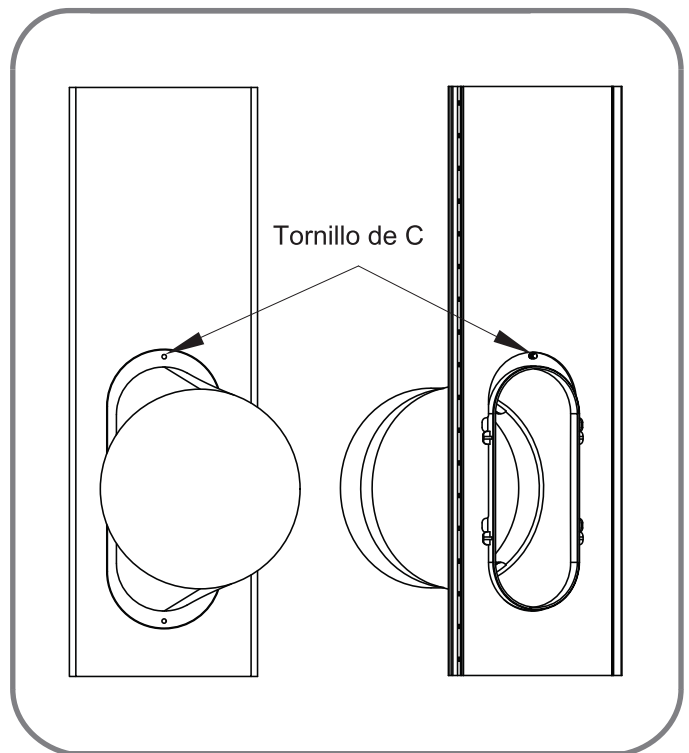
INSTALACIÓN EN VENTANAS DE DESLIZAMIENTO HORIZONTAL



5 Inserte el difusor en el panel del respiradero. Y entonces resbale.



Primero entre el panel del respiradero completamente y entonces resbala para asegurar.



Si usted desea arreglo el difusor más firmemente, utilice el tipo tornillo de C.

Su acondicionador de aire está diseñado para funcionar durante todo el año con sólo una limpieza y mantenimiento mínimos.

Para una eficiencia máxima, se recomienda que haga inspeccionar y limpiar las serpentinas de enfriamiento una vez por año. Su Centro de Servicio Autorizado LG local puede prestar este servicio de inspección y limpieza por una módica suma.

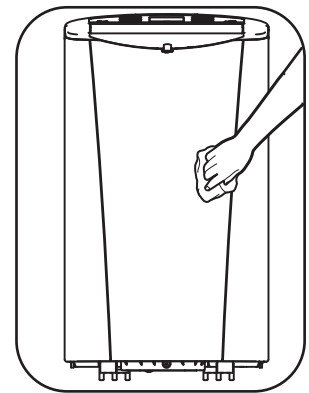
ADVERTENCIA

- **Desenchufe el acondicionador de aire antes de limpiar o realizar cualquier clase de mantenimiento o arreglo.**
 - **Tenga cuidado al limpiar las serpentinas o al quitar o volver a instalar el filtro: ¡las aletas de enfriamiento son filosas!**
- No seguir estas precauciones puede provocar una descarga eléctrica o lesiones personales.**

CÓMO LIMPIAR LA CUBIERTA

Limpie la cubierta con un paño ligeramente húmedo, luego seque con un paño o toalla.

- **Para evitar daños al acabado, no utilice gasolina, benceno, solvente, etc., o cualquier limpiador abrasivo para limpiar el acondicionador de aire; pueden dañar el acabado.**
- **Nunca vierta agua sobre o dentro de la unidad; podría dañar los componentes internos y generar un peligro de descarga eléctrica o incendio.**

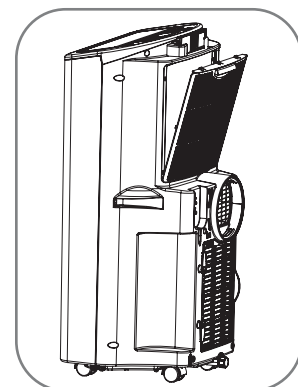


CÓMO LIMPIAR EL FILTRO DE AIRE

El filtro de aire debe limpiarse cada dos semanas; dependiendo de la calidad de aire interior, puede necesitarse una limpieza más frecuente. Un filtro de aire sucio disminuye la corriente de aire y reduce la eficiencia.

No opere el acondicionador de aire sin el filtro en su lugar.

- 1 Levante el filtro de aire de la manija.
- 2 Use una aspiradora para limpiar el filtro. Si el filtro está muy sucio, puede lavarse en agua tibia utilizando un detergente suave.
No use limpiadores potentes o agua muy caliente. No lo lave en el lavavajillas.
- 3 Deje que el filtro se seque por completo antes de volver a instalarlo.
- 4 Vuelva a colocar el filtro.



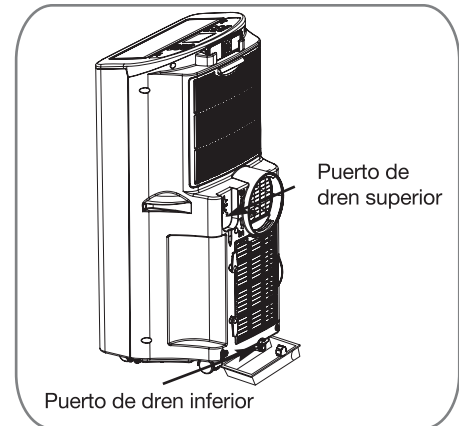
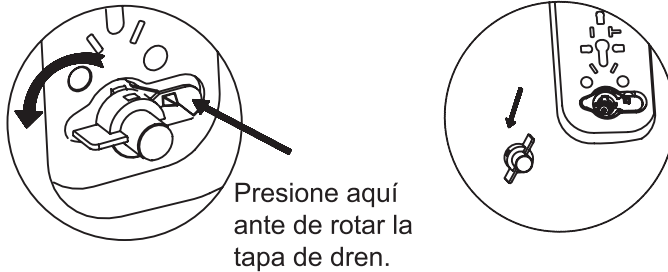
CUIDADO Y LIMPIEZA

CÓMO VACIAR EL TANQUE DE RECOLECCIÓN DE AGUA

Cuando el tanque interno de recolección de agua está lleno, aparecerá FL en la pantalla y el acondicionador de aire se apagará hasta que se vacíe el tanque.

Utilizando el puerto de dren superior

- 1 Quite la tapa del agua en primer.



- 2 Insale un extremo de tubo al dispositivo, y ponga el otro adentro de cubo. (Mayor que 28 onzas '830 ml')

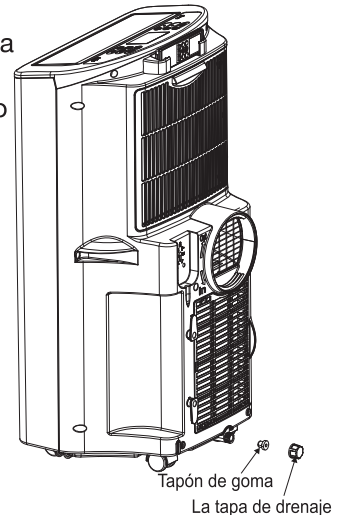


- 3 Presionar los botones de TIMER y DOWN (▼) simultáneamente para activar la bomba de dren que esta dentro del equipo
- 4 Esta bomba se activara durante 3 minutos. (si desea detenerla antes de los 3 minutos, puede presionar nuevamente los botones TIMER y DOWN (▼) simultáneamente)
- 5 Jale el tubo de dren hacia afuera del equipo
- 6 Re ensamble la cubierta de drenado.

CÓMO VACIAR EL TANQUE DE RECOLECCIÓN DE AGUA

Empleando el puerto inferior de drenaje

- 1 Desenchufe el acondicionador de aire, desconecte la manguera de salida de la parte trasera, y traslade el acondicionador de aire a un lugar de drenaje adecuado o al exterior. También puede colocar un recipiente bajo el drenaje con capacidad para 1 cuarto de galón de agua.
- 2 Quite la tapa de drenaje de la salida de drenaje.
- 3 Una vez que el tanque de recolección de agua se ha drenado, vuelva a instalar la tapa de drenaje, cerciorándose que esté bien colocada.
- 4 Coloque el acondicionador de aire en la ubicación deseada, reconecte la manguera de salida, y enchufe el acondicionador de aire.



Utilice la manguera de desagüe cuando utilice el modo DRY

- 1 Durante el modo de deshumidificación, quite el tapón de drenaje y la tubería de escape de la espalda de la unidad.
- 2 Instale un manguera de drenaje (dimensión interior 18mm [11/16"]) y colo que el extremo abierto a una ubicación adecuada de drenaje o al aire libre.

NOTA Cuando FL aparece en la pantalla:
El tanque para recoger el agua está lleno. Vacie el tanque y restablezca el sistema.

NOTAS:

- Cuando se lo encienda después de haber sido desenchufado, el acondicionador de aire se reconfigurará automáticamente en el modo COOL (frío), con una temperatura establecida de 72°F.

CUIDADO Y LIMPIEZA

CÓMO GUARDAR EL ACONDICIONADOR DE AIRE

Si no va a usar el acondicionador de aire durante un período prolongado:

- 1 Drene el tanque de recolección de agua completamente y deje el pico de drenaje destapado el tiempo suficiente para eliminar el agua residual. Una vez que el tanque se haya drenado por completo y no salga más agua, vuelva a colocar la tapa.
- 2 Quite y limpie el filtro, deje que se seque por completo y vuelva a instalarlo.
- 3 Quite las baterías del control remoto.
- 4 Guarde el acondicionador de aire en un lugar frío y seco, lejos de luz solar directa, temperaturas extremas, y polvillo excesivo.

Antes de volver a usar el acondicionador de aire:

- 1 Verifique que el filtro y la tapa de drenaje estén en su lugar.
- 2 Verifique el cable para asegurar que esté en buenas condiciones, sin grietas o daños.
- 3 Coloque baterías nuevas en el control remoto.
- 4 Instale el acondicionador de aire como se indica en las Instrucciones de instalación.

CÓMO UTILIZAR EL ARTEFACTO

ANTES DE LLAMAR AL SERVICIO TÉCNICO

Antes de llamar al servicio técnico, examine esta lista. Puede ahorrarle tiempo y dinero. La lista incluye situaciones comunes que no son el resultado de mano de obra o materiales defectuosos del artefacto.

<i>Auto Diagnóstico</i>	<i>Causas posibles</i>	<i>Qué hacer</i>
El aire acondicionado no enciende	El aire acondicionado está desconectado.	Asegúrese que el aire acondicionado está conectado completamente a la fuente de energía.
	El fusible está quemado/el interruptor de energía se habloqueado.	Cheque los fusibles/interruptor de la casa y reemplace los fusibles o reestablezca el interruptor de energía.
	Falta de energía.	Cuando la energía se reestablezca, espere 3 minutos para encender de nuevo el aire acondicionado. Con esto evítara que se produzca una sobrecarga en el compresor.
	El dispositivo interruptor de corriente está desconectado.	Presione el botón RESET situado en el enchufe del cable de alimentación Si el botón RESET no permanece activo, suspenda el uso del aire acondicionado y pongase en contacto con un técnico de servicio cualificado.
	AGUA COMPLETA luz indicadora en la pantalla.	El tanque de recolección de agua está lleno. Drene el tanque y vuelva a configurar.
	La temperatura de la habitación es menor a la temperatura programada.	Esto es normal. El acondicionador de aire se apaga automáticamente cuando la temperatura de la habitación es igual o menor a la configurada. Si hace falta, ajuste la configuración de temperatura.
El aire acondicionado no enfría como debiera	El flujo de aire está restringido.	Asegúrese que no haya cortinas, persianas o muebles bloqueando el frente del aire acondicionado.
	Coloque el control de TEMPERATURA en un número más alto.	Ajustar el control de temperatura a un número más bajo.
	El filtro de aire está sucio.	Limpe el filtro por lo menos cada dos semanas. Vea la sección de instrucciones de operación.
	El cuarto aún está caliente.	Cuando usted enciende el aire acondicionado debe esperar un momento para que la habitación se enfríe.
El aire acondicionado enfría demasiado	El hielo bloquea el flujo de aire y detiene el enfriamiento del cuarto.	Elija el modo alto del ventilador High Fan o enfriado alto High Cool .
El acondicionador de aire funciona muy a menudo o durante mucho tiempo	El área a enfriar es demasiado grande para el artefacto.	Consulte a su vendedor sobre la capacidad necesaria para enfriar el área deseada.
	Hay puertas o ventanas abiertas.	Asegúrese de que puertas y ventanas estén cerradas.

DETECCIÓN DE PROBLEMAS

ANTES DE LLAMAR AL SERVICIO TÉCNICO

<i>Auto Diagnóstico</i>	<i>Causas posibles</i>	<i>Qué hacer</i>
Código se muestra en la pantalla F1, F2, o F3	El acondicionador de aire está en el modo FAN (ventilador) y el número en pantalla es la velocidad de ventilador configurada.	Esto es normal. El acondicionador de aire funciona correctamente.
FL	El tanque de recolección de agua está lleno.	Vacíe el tanque de recolección de agua. Ver la sección Cuidado y limpieza.
CH01	Cortocircuito o circuito abierto en la termostato de aire interno.	Desenchufe el acondicionador de aire y comuníquese con su centro autorizado de LG.
CH02	Cortocircuito o circuito abierto en la termostato de tubo interno.	Desenchufe el acondicionador de aire y comuníquese con su centro autorizado de LG.

GARANTÍA LIMITADA DEL AIRE ACONDICIONADO LG - EE.UU.

COBERTURA DE LA GARANTÍA:

LG Electronics Inc. ("LG") garantiza que reparará o sustituirá, gratuitamente, su producto si resulta defectuoso en materiales o mano de obra bajo condiciones normales de uso durante el periodo de garantía mencionado más abajo, efectivo a partir de la fecha de compra del producto original por parte del consumidor. Esta garantía limitada sólo es válida para el comprador original del producto y no es asignable ni transferible a ningún otro comprador o usuario final subsecuentes, y efectiva únicamente cuando el producto se compra a través de un distribuidor autorizado de LG y se utiliza en los Estados Unidos ("EE UU") o en cualquiera de sus territorios.

Nota: Los recambios y piezas de repuesto pueden ser nuevos o estar reconstruidos de fábrica y están garantizados durante el tiempo restante del periodo de garantía de la unidad original o noventa días (90), el periodo de los dos que sea más largo. Por favor, guarde el recibo de compra o la nota de entrega como prueba de la fecha de compra como comprobante de garantía (se le puede pedir que presente una copia a LG o a su representante autorizado).

PERIODO DE GARANTÍA:

1 año desde la fecha de compra: **Cualquier repuesto interno/funcional y mano de obra**

PROCESO DE SERVICIO: Servicio a domicilio

Los servicios a domicilio se prestarán durante el periodo de garantía sujeto a disponibilidad en los Estados Unidos. El servicio a domicilio puede no estar disponible en todas las áreas. Para recibir asistencia técnica a domicilio, el producto debe estar en un entorno despejado y accesible al personal técnico. Si durante el servicio a domicilio la reparación no se puede llevar a cabo, es posible que sea necesario desplazarlo a nuestras instalaciones, repararlo y devolverlo a su hogar. Si este fuera el caso, LG puede optar, a petición nuestra, a utilizar el transporte de nuestra elección para desplazar la unidad al y del centro de servicio autorizado de LG.

ESTA GARANTÍA LIMITADA NO SE APLICA A:

1. Las visitas de Asistencia a domicilio para entregar, recoger y/o instalar el producto, instruir o sustituir fusibles.
2. Sustitución de fusibles de la casa o reajuste de interruptores de circuito, la corrección del cableado de la casa o de la tubería, o la corrección de la instalación del producto.
3. Los daños o averías causados por fugas / roturas/ congelación de tuberías de agua, líneas de drenaje restringido, suministro insuficiente de agua o interrupción, o suministro insuficiente de aire.
4. Los daños o averías causados por accidentes, plagas e insectos, rayos, viento, fuego, inundaciones o actos de Dios.
5. Los daños o fallos ocasionados por el mal uso, abuso, instalación inadecuada, reparación o mantenimiento. Se considera reparación inadecuada aquella en que se hayan utilizado piezas no aprobadas o especificadas por LG.
6. Los daños o averías causados por modificaciones no autorizadas o alteraciones del producto.
7. Los daños o averías causados por la utilización de una corriente eléctrica, tensión o código de plomería incorrectos.
8. Daños estéticos, incluyendo arañazos, abolladuras, desportilladuras u otros daños en el acabado del producto, a menos que dichos daños sean el resultado de defectos en los materiales o mano de obra y se informe a LG en el plazo de siete días naturales (7) a partir de la fecha de entrega.
9. Los daños o la pérdida de componentes de cualquier producto cuya caja haya sido abierta, haya sido objeto de un descuento o se haya restaurado.
10. Los productos cuyos números de serie de fábrica originales hayan sido quitados, borrados o cambiados de ninguna manera.
11. Las reparaciones cuando el producto se utiliza para cualquier cosa fuera de lo normal y del uso doméstico habitual (por ejemplo su alquiler, uso comercial, en oficinas o en instalaciones de ocio) o en contra de la instrucciones que se indican en el manual del propietario.
12. La extracción y reinstalación del producto si está instalado en un lugar inaccesible.

ESTA GARANTÍA SE OTORGA EN SUSTITUCIÓN O EXCLUSIÓN DE TODA OTRA GARANTÍA, EXPRESA O IMPLÍCITA, INCLUYENDO SIN LIMITAR CUALQUIER GARANTÍA DE CALIDAD O IDONEIDAD CON UN PROPÓSITO CONCRETO. EN LA MEDIDA EN QUE CUALQUIER GARANTÍA IMPLÍCITA ES OBLIGADA POR LA LEY, ESTÁ LIMITADA EN DURACIÓN AL PERIODO DE GARANTÍA YA MENCIONADO. LA REPARACIÓN O REEMPLAZO DE PIEZAS, SEGÚN LO ESTABLECIDO EN ESTA GARANTÍA, ES EL ÚNICO QUE PUEDE RECLAMAR EL CLIENTE. NI EL FABRICANTE NI SU DISTRIBUIDOR EN LOS EE.UU. SE HACE RESPONSABLE DE CUALQUIER DAÑO (DERIVADO, INDIRECTO, ESPECIAL O PENAL) DE CUALQUIER NATURALEZA, INCLUYENDO, SIN LIMITACION, LA PÉRDIDA DE INGRESOS O BENEFICIOS O CUALQUIER OTRO TIPO DE DAÑO, AÚN BASADO EN UN CONTRATO, SEA UN AGRAVIO O DE CUALQUIER OTRA MANERA.

ALGUNOS ESTADOS NO PERMITEN LA EXCLUSIÓN O LIMITACIÓN DE DAÑOS IMPREVISTOS O RESULTANTES, O LIMITACIONES A LA DURACIÓN DE LAS GARANTÍAS IMPLÍCITAS, POR LO QUE LA EXCLUSIÓN O LIMITACIÓN MENCIONADA ANTERIORMENTE NO SERÁ APLICABLE AL USUARIO. ESTA GARANTÍA LE OTORGA DERECHOS LEGALES ESPECÍFICOS Y TAMBIÉN PUEDE TENER OTROS QUE VARIARÁN DE UN ESTADO A OTRO.

COMO OBTENER EL SERVICIO DE ESTA GARANTÍA E INFORMACIÓN ADICIONAL:

Llame al 1-800-243-0000 o visite nuestra página web: www.lg.com.

Dirección de correo ordinario: LG Customer Information Center (ATTN: CIC)
201 James Record Road, Huntsville, AL 35824



LG ELECTRONICS, INC.
1000 Sylvan Ave., Englewood Cliffs, NJ 07632

LG Customer Information Center

1-800-243-0000

Register your product Online!

www.lg.com