



1/2" throw stainless steel latch bolt



Larger rose diameter covers existing bore hole scratch marks

Compatible with US15995 series cylinders

Single-piece hydroformed knob provides enhanced quality

Description

Recommended for use on all residential, industrial and commercial applications where normal traffic is anticipated.

Features

Backset	Fixed 2-3/8" or 2-3/4"
Keyway	Schlage SC1*
Cylinder	6 pin cylinder keyed to 5 pins
Keying	KA4*
Door Thickness	1-1/4" to 1-3/4"
Door Prep	2-1/8" Bore & 1" Latch Hole
Strike Plate	T-Strike 1-1/8" x 2-3/4"
Latch Type	Standard
Latchplate Face	1" or 1-1/8" x 2-1/4"***
Fire Rating	3 Hours
Knob Styles	Ball or Plymouth

*Less cylinder options available

**2-3/8 backset = 1", 2-3/4" backset = 1-1/8"

Finishes



Brushed Stainless
US32D



Bright Brass
US3



Oil Rubbed Bronze
US10B

Approvals

UL File Number R14631 - Latch is fire rated for 3 hours
ANSI Grade 2

Warranty

Limited Lifetime Warranty

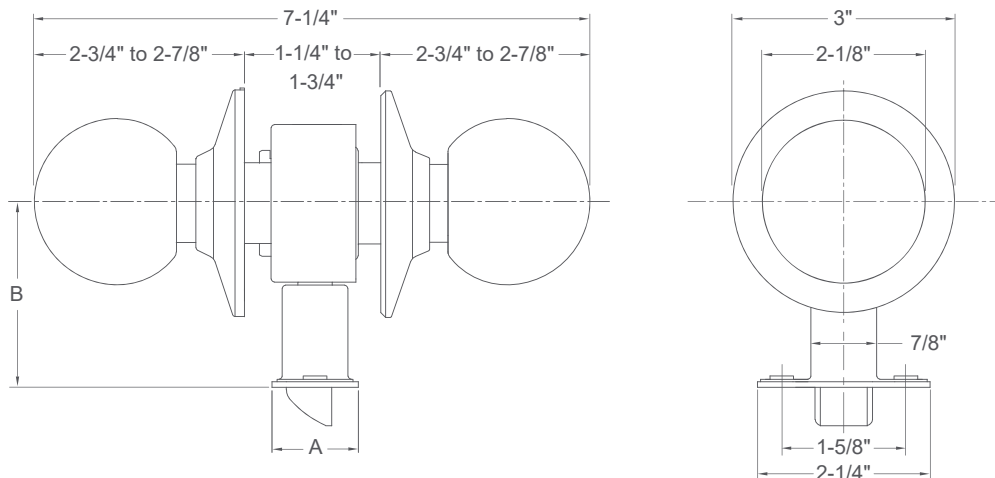
Refer to US Lock warranty program for further details and restrictions

Replacement Parts & Accessories

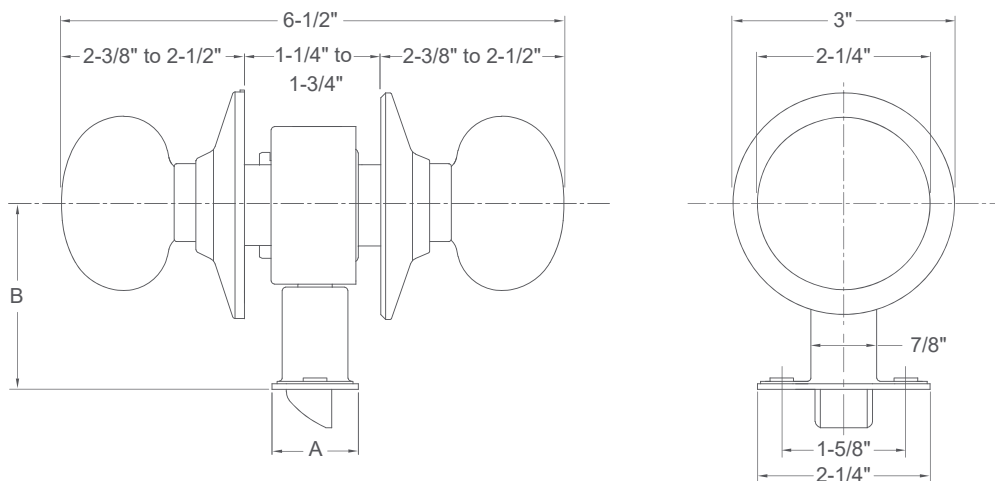
USN	US Lock No.	Product Type
3585141	USX2010SCREWPK	Screw Pack
3585142	USX2010SL32D	Standard 2-3/8" Spring Latch, US32D
3585143	USX2011SL32D	Drive-In 2-3/8" Spring Latch, US32D
3585144	USX2012SL32D	Standard 2-3/4" Spring Latch, US32D
3585145	USX2013SL32D	Drive-In 2-3/4" Spring Latch, US32D
3585146	USX2010SL3	Standard 2-3/8" Spring Latch, US3
3585147	USX2012SL10B	Standard 2-3/4" Spring Latch, US10B
3585148	USX2010DL32D	Standard 2-3/8" Deadlatch, US32D
3585149	USX2011DL32D	Drive-In 2-3/8" Deadlatch, US32D
3585150	USX2012DL32D	Standard 2-3/4" Deadlatch, US32D
3585151	USX2013DL32D	Drive-In 2-3/4" Deadlatch, US32D
3585152	USX2010DL3	Standard 2-3/8" Deadlatch, US3
3585153	USX2012DL3	Standard 2-3/4" Deadlatch, US3
3585154	USX2012DL10B	Standard 2-3/4" Deadlatch, US10B
3585155	USX2010S2032D	Strike - Full Lip, US32D
3585156	USX2010S203	Strike - Full Lip, US3
3585157	USX2010S2010B	Strike - Full Lip, US10B
3585158	USX2010S1032D	Strike - T, US32D
3585159	USX2010S103	Strike - T, US3
3585160	USX2010S1010B	Strike - T, US10B
3585161	USX2010ASA32D	Strike - ASA, US32D
3585162	USX2010ASA3	Strike - ASA, US3
3585163	USX2010ASA10B	Strike - ASA, US10B

Available Product Offering - Passage

USN	US Lock No.	Vendor Part #	Product Type	Knob	Finish	Latch Width (A)	Backset (B)
3585036	USX2010NB32D	C363B-L67BJQ	Lockset - Passage	Ball	US32D	1"	2-3/8"
3585038	USX2012NB32D	C363B-L77BJQ	Lockset - Passage	Ball	US32D	1-1/8"	2-3/4"
3585040	USX2010NB3	C373B-L67BJQ	Lockset - Passage	Ball	US3	1"	2-3/8"
3585041	USX2010NB10B	C3X63B-L67BJQ	Lockset - Passage	Ball	US10B	1"	2-3/8"



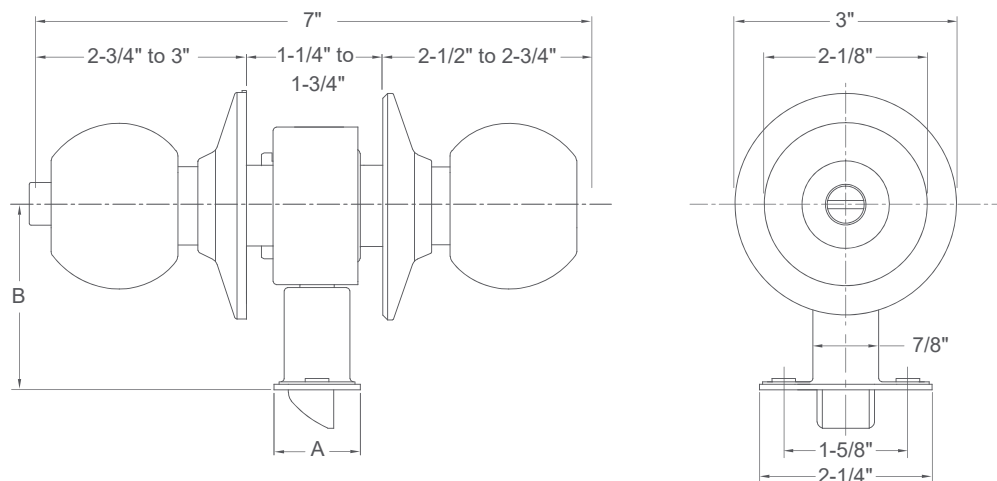
USN	US Lock No.	Vendor Part #	Product Type	Knob	Finish	Latch Width (A)	Backset (B)
3585037	USX2010NP32D	C163B-L67BJQ	Lockset - Passage	Plymouth	US32D	1"	2-3/8"
3585039	USX2012NP32D	C163B-L77BJQ	Lockset - Passage	Plymouth	US32D	1-1/8"	2-3/4"



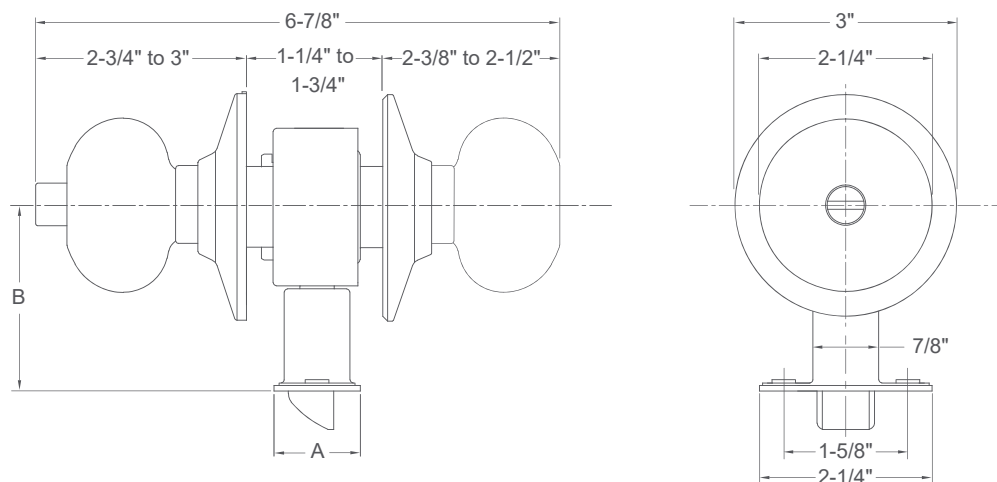
Available Product Offering - Privacy

Features push button to lock and coin slot to open.

USN	US Lock No.	Vendor Part #	Product Type	Knob	Finish	Latch Width (A)	Backset (B)
3585042	USX2010LB32D	C361B-L67BJQ	Lockset - Privacy	Ball	US32D	1"	2-3/8"
3585044	USX2012LB32D	C361B-L77BJQ	Lockset - Privacy	Ball	US32D	1-1/8"	2-3/4"
3585046	USX2010LB3	C371B-L67BJQ	Lockset - Privacy	Ball	US3	1"	2-3/8"
3585047	USX2010LB10B	C3X61B-L67BJQ	Lockset - Privacy	Ball	US10B	1"	2-3/8"

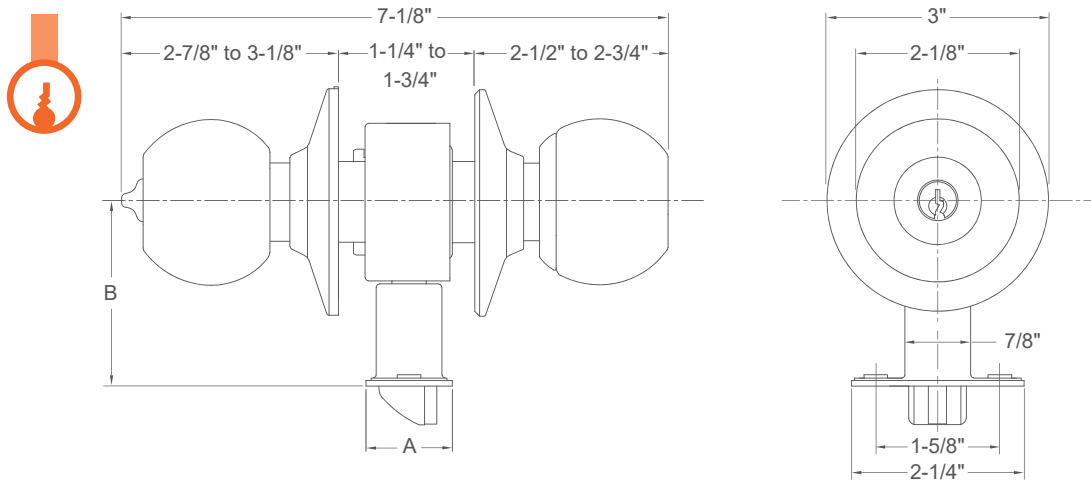


USN	US Lock No.	Vendor Part #	Product Type	Knob	Finish	Latch Width (A)	Backset (B)
3585043	USX2010LP32D	C161B-L67BJQ	Lockset - Privacy	Plymouth	US32D	1"	2-3/8"
3585045	USX2012LP32D	C161B-L77BJQ	Lockset - Privacy	Plymouth	US32D	1-1/8"	2-3/4"

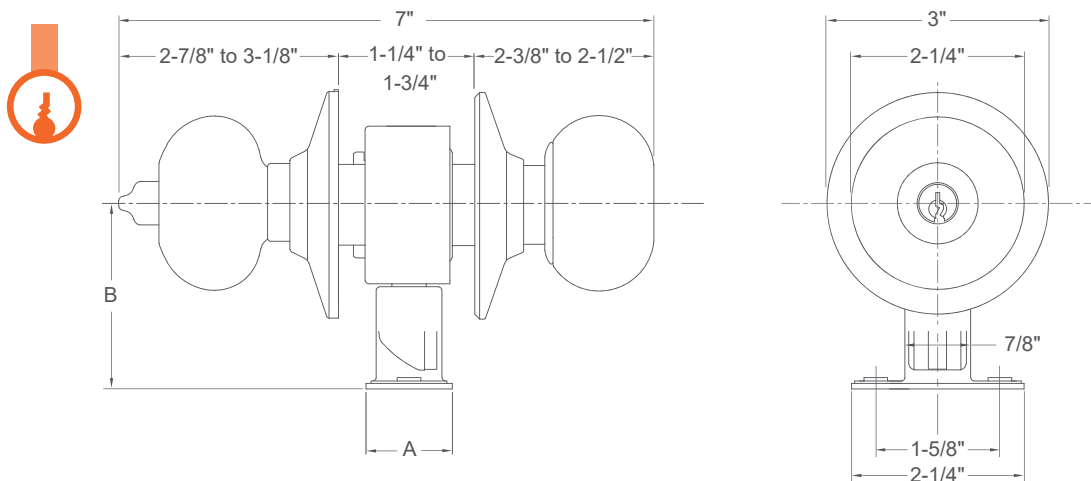


Available Product Offering - Entrance

USN	US Lock No.	Vendor Part #	Product Type	Knob	Finish	Latch Width (A)	Backset (B)
3585048	USX2010A1B32D	C360B-L67BJQ	Lockset - Entrance	Ball	US32D	1"	2-3/8"
3585050	USX2012A1B32D	C360B-L77BJQ	Lockset - Entrance	Ball	US32D	1-1/8"	2-3/4"
3585052	USX2010A1B3	C370B-L67BJQ	Lockset - Entrance	Ball	US3	1"	2-3/8"
3585054	USX2012A1B3	C370B-L77BJQ	Lockset - Entrance	Ball	US3	1-1/8"	2-3/4"
3585056	USX2010A1B10B	C3X60B-L67BJQ	Lockset - Entrance	Ball	US10B	1"	2-3/8"
3585057	USX2012A1B10B	C3X60B-L77BJQ	Lockset - Entrance	Ball	US10B	1-1/8"	2-3/4"
3585070	USX2010AB32DLC	C360B-L67BJQ-LC	Lockset - Entrance (Less Cylinder)	Ball	US32D	1"	2-3/8"
3585071	USX2012AB32DLC	C360B-L77BJQ-LC	Lockset - Entrance (Less Cylinder)	Ball	US32D	1-1/8"	2-3/4"
3585072	USX2010AB3LC	C370B-L67BJQ-LC	Lockset - Entrance (Less Cylinder)	Ball	US3	1"	2-3/8"
3585073	USX2012AB3LC	C370B-L77BJQ-LC	Lockset - Entrance (Less Cylinder)	Ball	US3	1-1/8"	2-3/4"
3585074	USX2010AB10BLC	C3X60B-L67BJQ-LC	Lockset - Entrance (Less Cylinder)	Ball	US10B	1"	2-3/8"
3585075	USX2012AB10BLC	C3X60B-L77BJQ-LC	Lockset - Entrance (Less Cylinder)	Ball	US10B	1-1/8"	2-3/4"

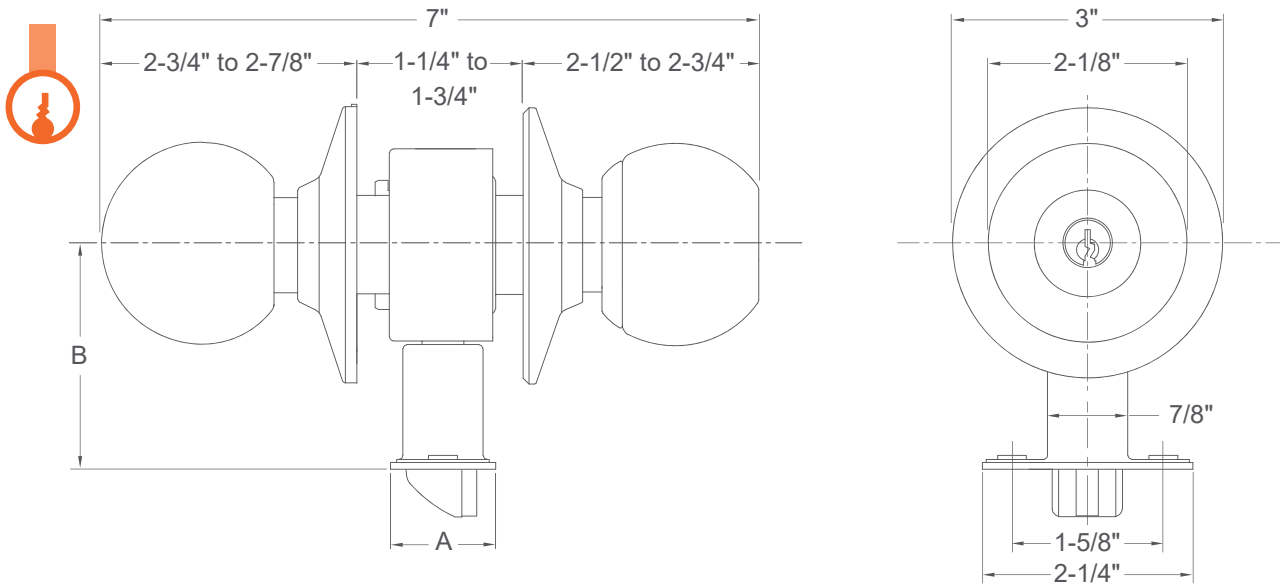


USN	US Lock No.	Vendor Part #	Product Type	Knob	Finish	Latch Width (A)	Backset (B)
3585049	USX2010A1P32D	C160B-L67BJQ	Lockset - Entrance	Plymouth	US32D	1"	2-3/8"
3585051	USX2012A1P32D	C160B-L77BJQ	Lockset - Entrance	Plymouth	US32D	1-1/8"	2-3/4"
3585053	USX2010A1P3	C170B-L67BJQ	Lockset - Entrance	Plymouth	US3	1"	2-3/8"
3585055	USX2012A1P3	C170B-L77BJQ	Lockset - Entrance	Plymouth	US3	1-1/8"	2-3/4"



Available Product Offering - Storeroom & Classroom Ball Knob

USN	US Lock No.	Vendor Part #	Product Type	Knob	Finish	Latch Width (A)	Backset (B)
3585058	USX2010D1B32D	C365B-L67BJQ	Lockset - Storeroom	Ball	US32D	1"	2-3/8"
3585060	USX2012D1B32D	C365B-L77BJQ	Lockset - Storeroom	Ball	US32D	1-1/8"	2-3/4"
3585062	USX2010D1B3	C375B-L67BJQ	Lockset - Storeroom	Ball	US3	1"	2-3/8"
3585064	USX2012D1B3	C375B-L77BJQ	Lockset - Storeroom	Ball	US3	1-1/8"	2-3/4"
3585066	USX2010D1B10B	C3X65B-L67BJQ	Lockset - Storeroom	Ball	US10B	1"	2-3/8"
3585067	USX2012D1B10B	C3X65B-L77BJQ	Lockset - Storeroom	Ball	US10B	1-1/8"	2-3/4"
3585068	USX2010R1B32D	C368B-L67BJQ	Lockset - Classroom	Ball	US32D	1"	2-3/8"
3585069	USX2012R1B32D	C368B-L77BJQ	Lockset - Classroom	Ball	US32D	1-1/8"	2-3/4"
3585076	USX2010DB32DLC	C365B-L67BJQ-LC	Lockset - Storeroom (Less Cylinder)	Ball	US32D	1"	2-3/8"
3585077	USX2012DB32DLC	C365B-L77BJQ-LC	Lockset - Storeroom (Less Cylinder)	Ball	US32D	1-1/8"	2-3/4"
3585078	USX2010DB3LC	C375B-L67BJQ-LC	Lockset - Storeroom (Less Cylinder)	Ball	US3	1"	2-3/8"
3585079	USX2012DB3LC	C375B-L77BJQ-LC	Lockset - Storeroom (Less Cylinder)	Ball	US3	1-1/8"	2-3/4"
3585080	USX2010DB10BLC	C3X65B-L67BJQ-LC	Lockset - Storeroom (Less Cylinder)	Ball	US10B	1"	2-3/8"
3585081	USX2012DB10BLC	C3X65B-L77BJQ-LC	Lockset - Storeroom (Less Cylinder)	Ball	US10B	1-1/8"	2-3/4"
3585082	USX2010RB3LC	C378B-L67BJQ-LC	Lockset - Classroom (Less Cylinder)	Ball	US3	1"	2-3/8"
3585083	USX2012RB3LC	C378B-L77BJQ-LC	Lockset - Classroom (Less Cylinder)	Ball	US3	1-1/8"	2-3/4"
3585084	USX2010RB10BLC	C3X68B-L67BJQ-LC	Lockset - Classroom (Less Cylinder)	Ball	US10B	1"	2-3/8"
3585085	USX2012RB10BLC	C3X68B-L77BJQ-LC	Lockset - Classroom (Less Cylinder)	Ball	US10B	1-1/8"	2-3/4"
3585086	USX2010RB32DLC	C368B-L67BJQ-LC	Lockset - Classroom (Less Cylinder)	Ball	US32D	1"	2-3/8"
3585087	USX2012RB32DLC	C368B-L77BJQ-LC	Lockset - Classroom (Less Cylinder)	Ball	US32D	1-1/8"	2-3/4"



Available Product Offering - Storeroom Plymouth Knob

USN	US Lock No.	Vendor Part #	Product Type	Knob	Finish	Latch Width (A)	Backset (B)
3585059	USX2010D1P32D	C165B-L67BJQ	Lockset - Storeroom	Plymouth	US32D	1"	2-3/8"
3585061	USX2012D1P32D	C165B-L77BJQ	Lockset - Storeroom	Plymouth	US32D	1-1/8"	2-3/4"
3585063	USX2010D1P3	C175B-L67BJQ	Lockset - Storeroom	Plymouth	US3	1"	2-3/8"
3585065	USX2012D1P3	C175B-L77BJQ	Lockset - Storeroom	Plymouth	US3	1-1/8"	2-3/4"

