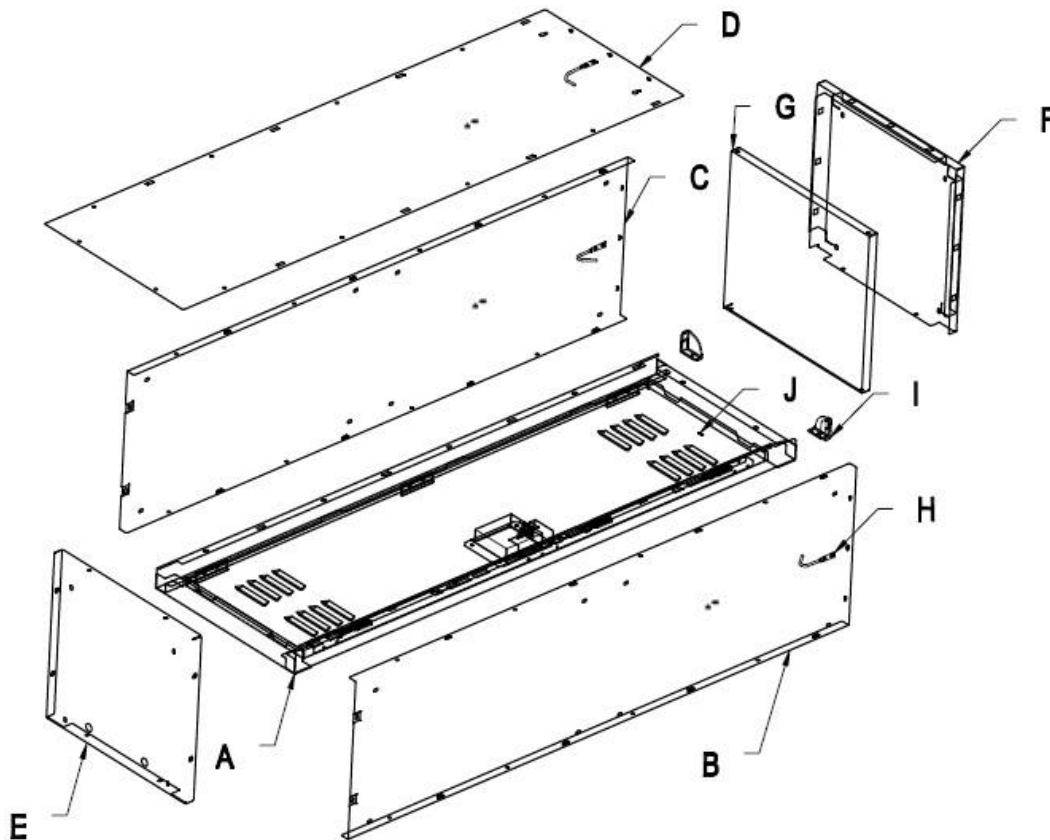
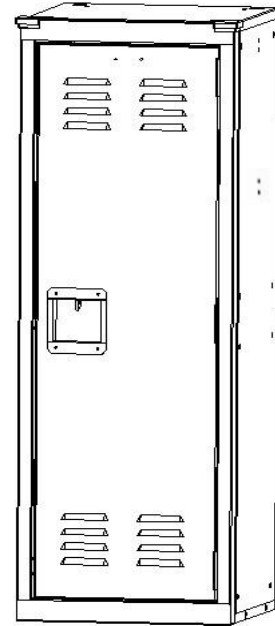


Stackable Individual Locker 48"

Please read and save these instructions. Read through this owner's manual carefully before using product. Protect yourself and others by observing all safety information, warnings, and cautions. Failure to comply with instructions could result in personal injury and/or damage to product or property. Please retain instructions for future reference.

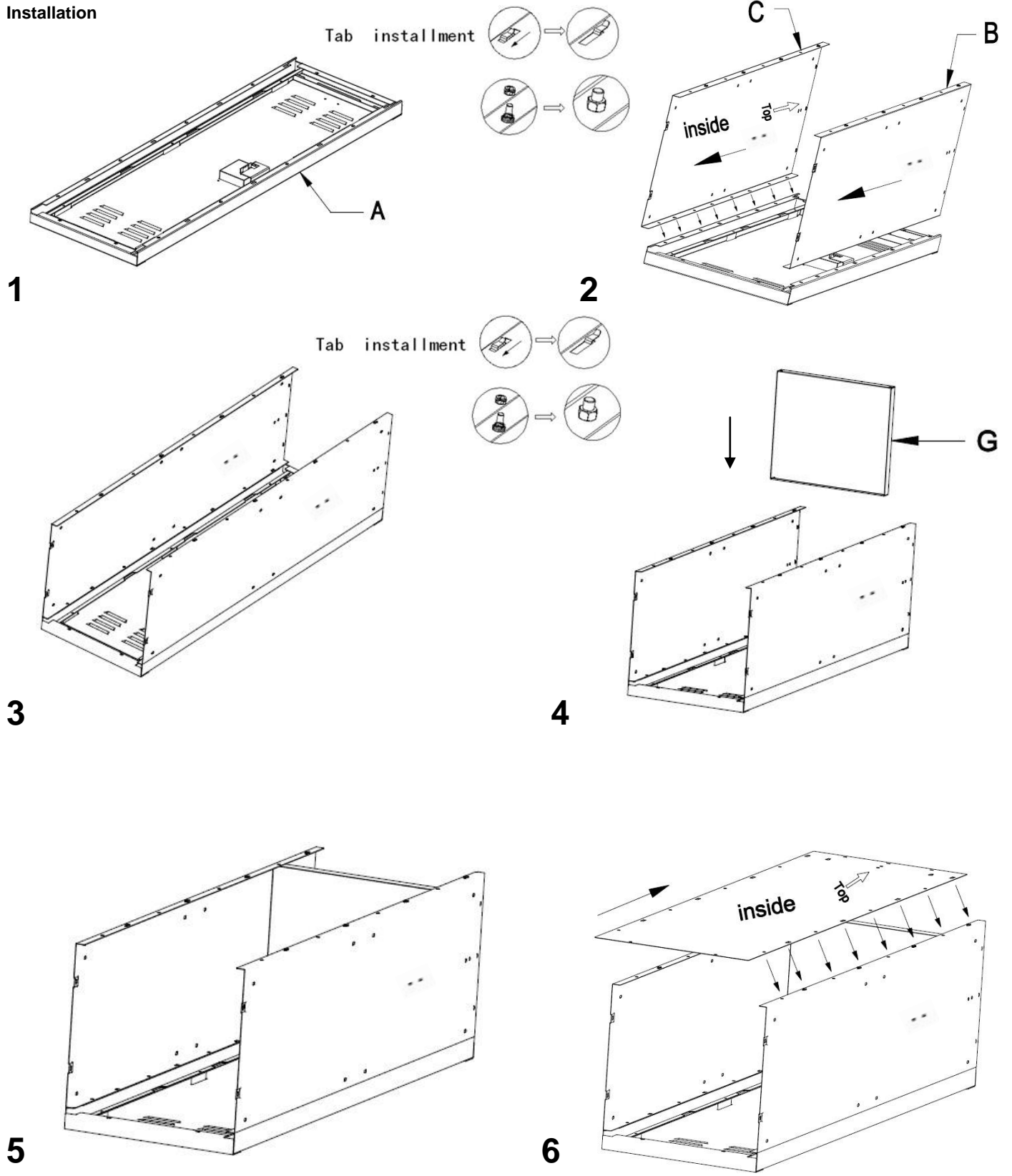
Stackable Individual Locker 48"

REF. #	Parts Description & Qty		PART #
A	1 Frame and Door Assembly		MK042
B	1 Left Side Panel		CB673
C	1 Right Side Panel		CB707
D	1 Back Panel		HB386
E	1 Bottom Panel		CB108
F	1 Top Assembly		DB085
G	1 Shelf Panel		CB119
H	3 Hooks		GJ000101
I	2 Corner Protectors		FZJLK001
J	1 Number Plate assembly	1 Number Plate	TH00151
		2 M3*5 Screws	
		2 M3*2.5 Nuts	
K	30 M5*10 Screws		LS051003
L	30 M5*3 Nuts		LMKBC00 1
M	1 Outer Hexagon Wrench		BSKL0501

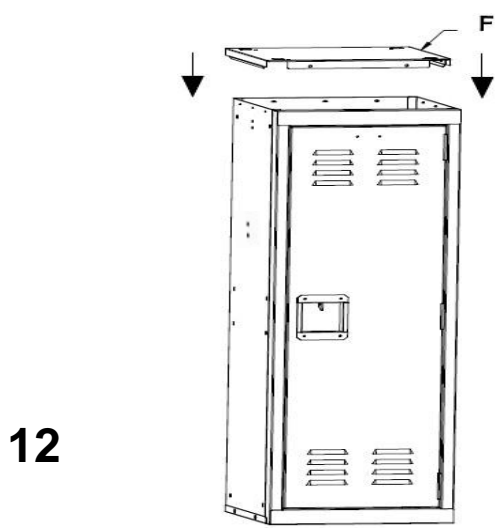
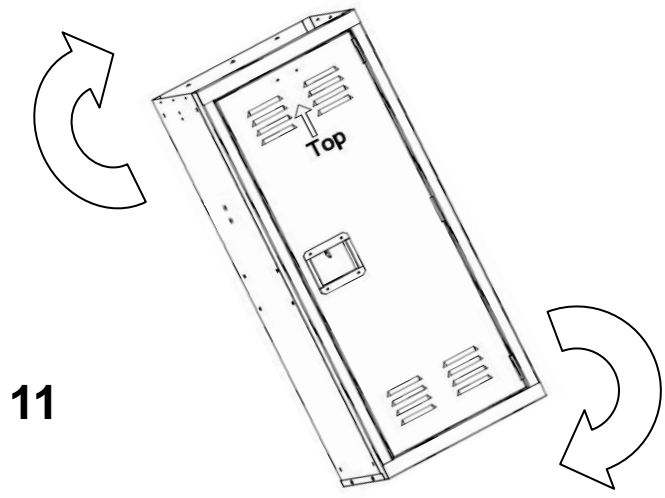
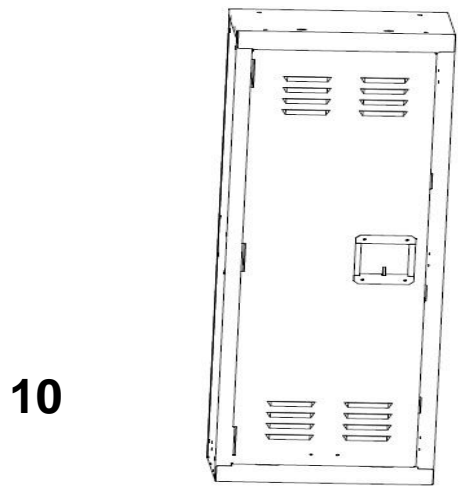
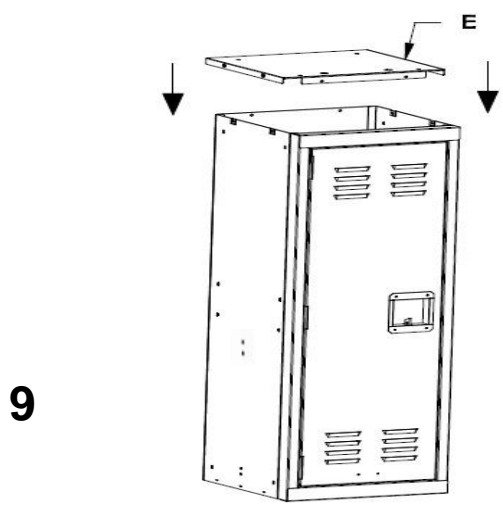
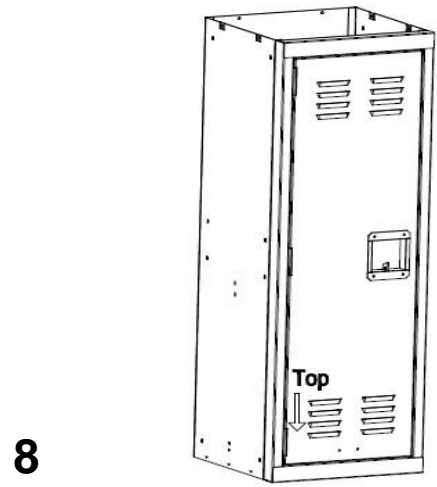
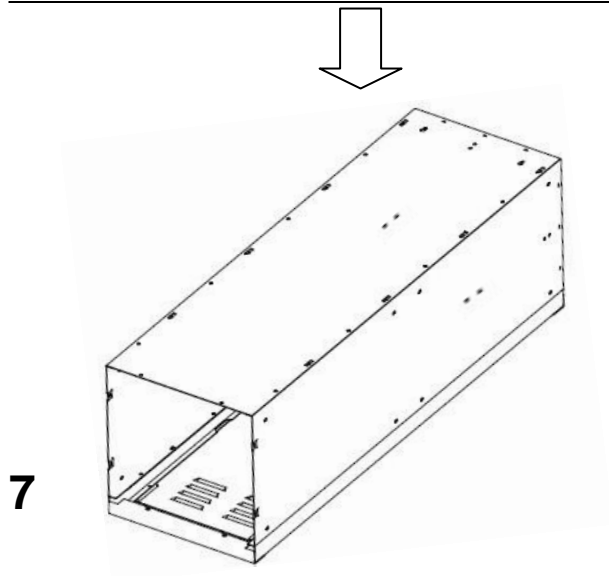


Stackable Individual Locker 48"

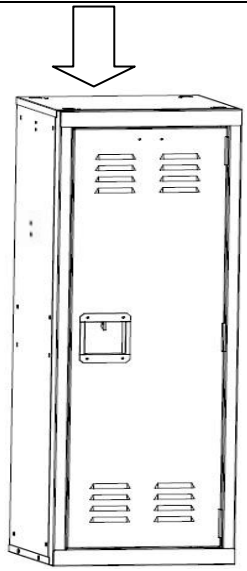
Installation



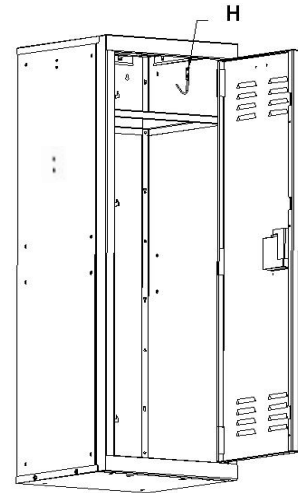
Stackable Individual Locker 48"



Stackable Individual Locker 48"

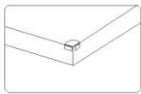


13

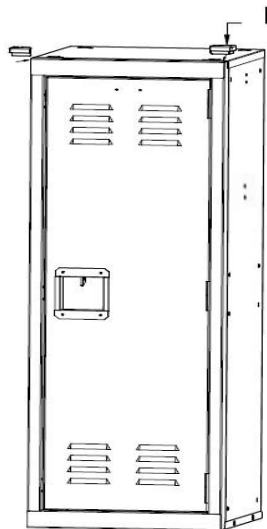
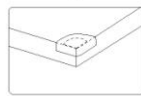


14

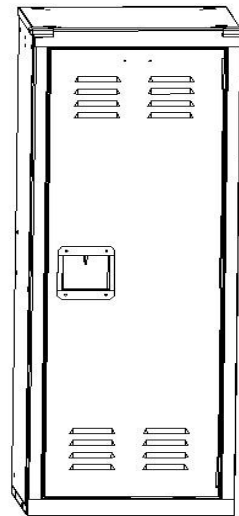
picture 1



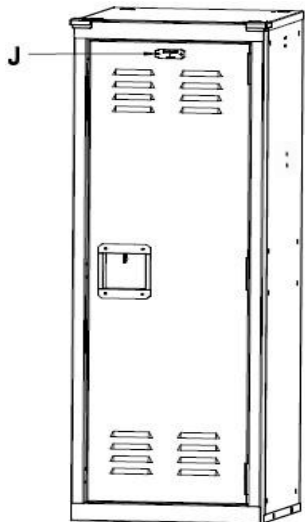
picture 2



15



16



17

Stackable Individual Locker 48"

Written Instructions

1. Lay door frame horizontally on a clean flat surface. (Step 1)
2. Insert left and right panel horizontally, use 6 screws to secure the bottom, leave the two screw holes on the top, they are used to install shelf. (Step 2-3)
3. Slant insert the shelf, the two holes are used to install shelf with screws, Shelves are adjustable in the 3 slots. (Step 4-5)
4. Install the back panel horizontally, use 8 screws to secure. (Step 6-8)
5. Assemble bottom with 8 screws. (Step 9-10)
6. Assemble top with 2 screws. (Step 11-13)
7. Install the 3 hooks (2 screws per hook) (Step 14)
8. Clean the surface and apply 3M double sided tape to the two front corners.(picture 1)
Apply corner protectors and press firmly. (picture2) (Step 15-16)
9. Install number plate with two screws. (Step 17)

★★★ Safety warning

- A. Choking hazard. Keep small parts away from small children.
- B. Mind fingers when closing door.
- C. To avoid tilting, please install the two tilting holes(key hole) on the back panel into the wall, using Philips flat head self-drilling Screws: 10# * 1" (2PCS)