

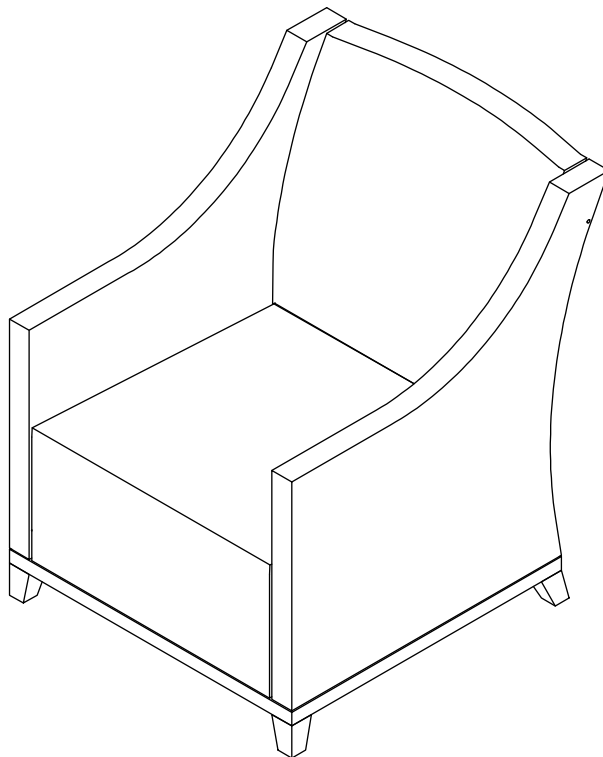
Item #
1000 000 000



Model #
HD19304

USE AND CARE GUIDE

BAINBRIDGE LOUNGE CHAIR



Questions, problems, missing parts? Before returning to the store,
call Hampton Bay Customer Service
8:00 a.m. - 7:00 p.m., EST, Monday - Friday
9:00 a.m. - 6:00 p.m., EST, Saturday

1-855-HD-HAMPTON

HAMPTONBAY.COM

THANK YOU

We appreciate the trust and confidence you have placed in Hampton Bay through the purchase of this lounge chair. We strive to continually create quality products designed to enhance your home. Visit us online to see our full line of products available for your home improvement needs. Thank you for choosing Hampton Bay!

Table of Contents

Table of Contents.....	2	Care Instructions.....	2
Safety Information.....	2	Pre-Assembly.....	3-4
Warranty.....	2	Planning Assembly.....	3
2 Year Frame Limited Warranty.....	2	Hardware Included.....	3
What Is Covered.....	2	Package Contents.....	4
What Is Not Covered.....	2	Assembly.....	5-9

Important Safety Instructions

SAVE THESE INSTRUCTIONS



WARNING: FUELS USED IN LIQUEFIED PROPANE GAS APPLIANCES, AND THE PRODUCTS OF COMBUSTION OF SUCH FUELS, CAN EXPOSE YOU TO CHEMICALS INCLUDING BENZENE, WHICH IS KNOWN TO THE STATE OF CALIFORNIA TO CAUSE CANCER AND CAUSE BIRTH DEFECTS OR OTHER REPRODUCTIVE HARM. For more information go to: www.P65Warnings.ca.gov.



WARNING: FUELS USED IN WOOD OR CHARCOAL BURNING APPLIANCES, AND THE PRODUCTS OF COMBUSTION OF SUCH FUELS, CAN EXPOSE YOU TO CHEMICALS INCLUDING CARBON BLACK, WHICH IS KNOWN TO THE STATE OF CALIFORNIA TO CAUSE CANCER, AND CARBON MONOXIDE, WHICH IS KNOWN TO THE STATE OF CALIFORNIA TO CAUSE BIRTH DEFECTS OR OTHER REPRODUCTIVE HARM. For more information go to: www.P65Warnings.ca.gov.

READ ALL INSTRUCTIONS BEFORE USE

To reduce the risk of injury to persons:

1. Close supervision is necessary when this furnishing is used by or near children, or disabled persons, if applicable.
2. Use this furnishing only for its intended use as described in these instructions. Do not use attachments not recommended by the manufacturer.



DANGER: Keep children out of the assembly area before assembly.



WARNING: Do not put heavy objects on the chair.



IMPORTANT: Check the tightness of all bolts at least once every 90 days.

Warranty

2 YEAR FRAME LIMITED WARRANTY

WHAT IS COVERED

We warrant the frame to be free of manufacturing defects to the original purchaser for two years.

WHAT IS NOT COVERED

It remains the customer's responsibility for freight and packaging charges to and from our service center. This warranty does not cover commercial use, hardware, acts of nature, fire, freezing and abusive use. In addition, purchased parts are not covered under this warranty. We reserve the right to make substitutions with similar merchandise, if the model in question is no longer in production.

Care Instructions

Before using, wipe with a clean, dry cloth. Do not use bleach or solvents. Treat the frame with liquid wax for maximum protection against UV light and salty, damp air. When not in use, store furniture in a cool, dry place. If the set includes cushions or mesh fabric, they may be cleaned by hand with a mild solution of soap and water. Rinse cushions thoroughly and allow to drip dry. Do not machine wash or tumble dry, as cushions may shrink. Do not use bleach or solvents on fabrics. Make sure to use a soft, clean cloth that does not bleed color.

You may contact our customer service department with any questions by phone at 1-855-HD-HAMPTON or visit www.hamptonbay.com.

Pre-assembly

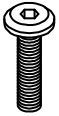
PLANNING ASSEMBLY

Assemble this product on a blanket, towel or other soft, non-abrasive surface to avoid scratching the finish.

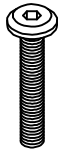
HARDWARE INCLUDED



NOTE: Hardware not shown to actual size.



___ AA



___ BB



___ CC



___ DD

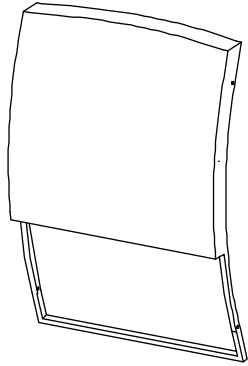


___ EE

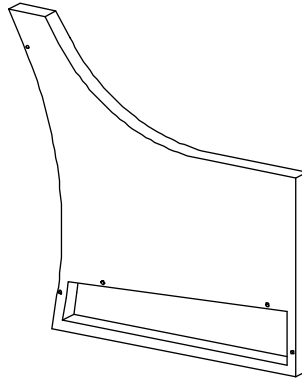
Part	Description	Quantity
AA	Bolt (M6 x 30 mm)	2
BB	Bolt (M6 x 45 mm)	10
CC	Bolt (M6 x 75 mm)	2
DD	Metal Washer ($\Phi 16^*1.0\text{mm}$)	14
EE	Hex Wrench (M6)	1

Pre-Assembly (continued)

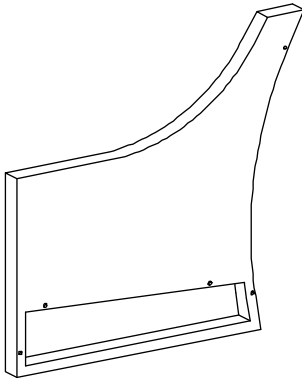
PACKAGE CONTENTS



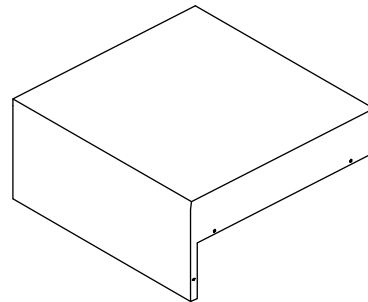
_____ A



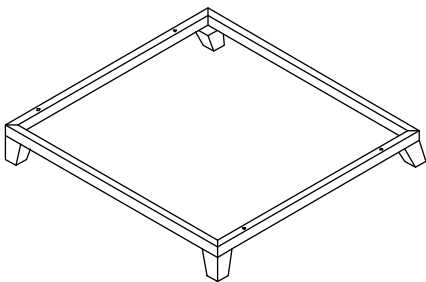
_____ B



_____ C



_____ D



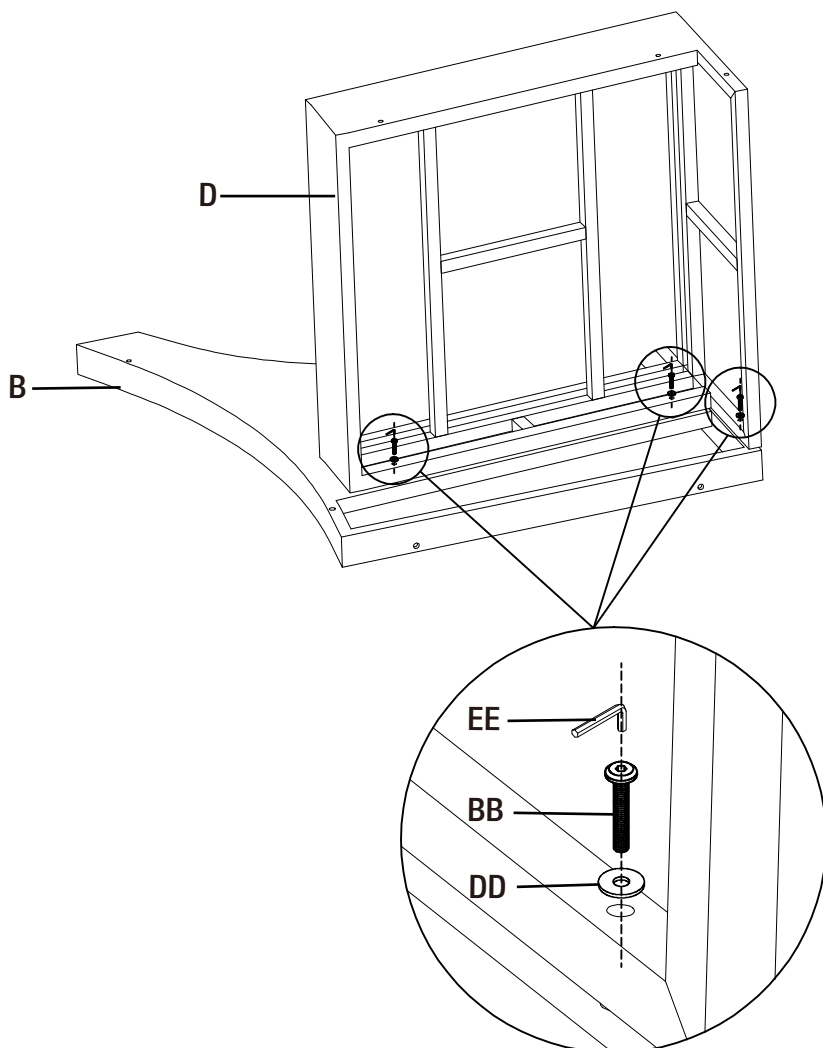
_____ E

Part	Description	Quantity
A	Chair Back	1
B	Left Arm	1
C	Right Arm	1
D	Chair Seat	1
E	Chair Base	1




Assembly

1 Attaching the chair seat to the left arm

- Using bolts (BB) with metal washers (DD) through the holes on the inner side of the chair seat (D) to the predrilled holes on the left arm (B). Do not tighten completely until assembly is completed.



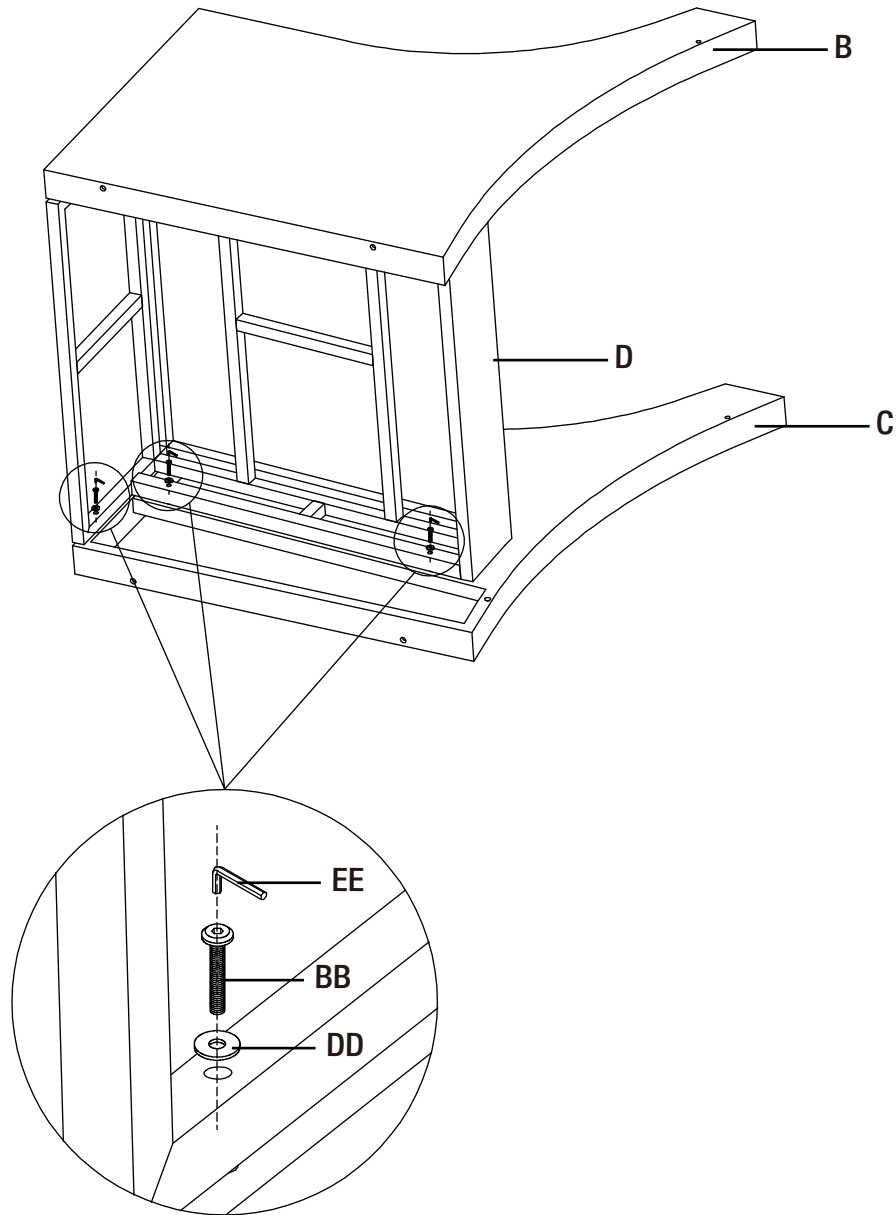
IMPORTANT: Do not tighten completely until assembly is completed.

Part	Description		Quantity
BB	Bolt (M6 x 45 mm)		3
DD	Metal Washer (Φ16*1.0mm)		3
EE	Allen Wrench (M6)		1




Assembly (continued)

2 Attaching the right arm to the chair seat

- Place the right arm (C) on the ground, the holes should face the sky, attach the left arm and seat combination (B&D) to the right arm (C) by using bolts (BB) with metal washers (DD) through the holes on the inner side of the chair seat (D) to the predrilled holes on the the right arm (C). Do not tighten copletely until assembly is completed.



IMPORTANT: Do not tighten completely until assembly is completed.




Part	Description		Quantity
BB	Bolt (M6 x 45 mm)		3
DD	Metal Washer (Φ16*1.0mm)		3
EE	Allen Wrench (M6)		1

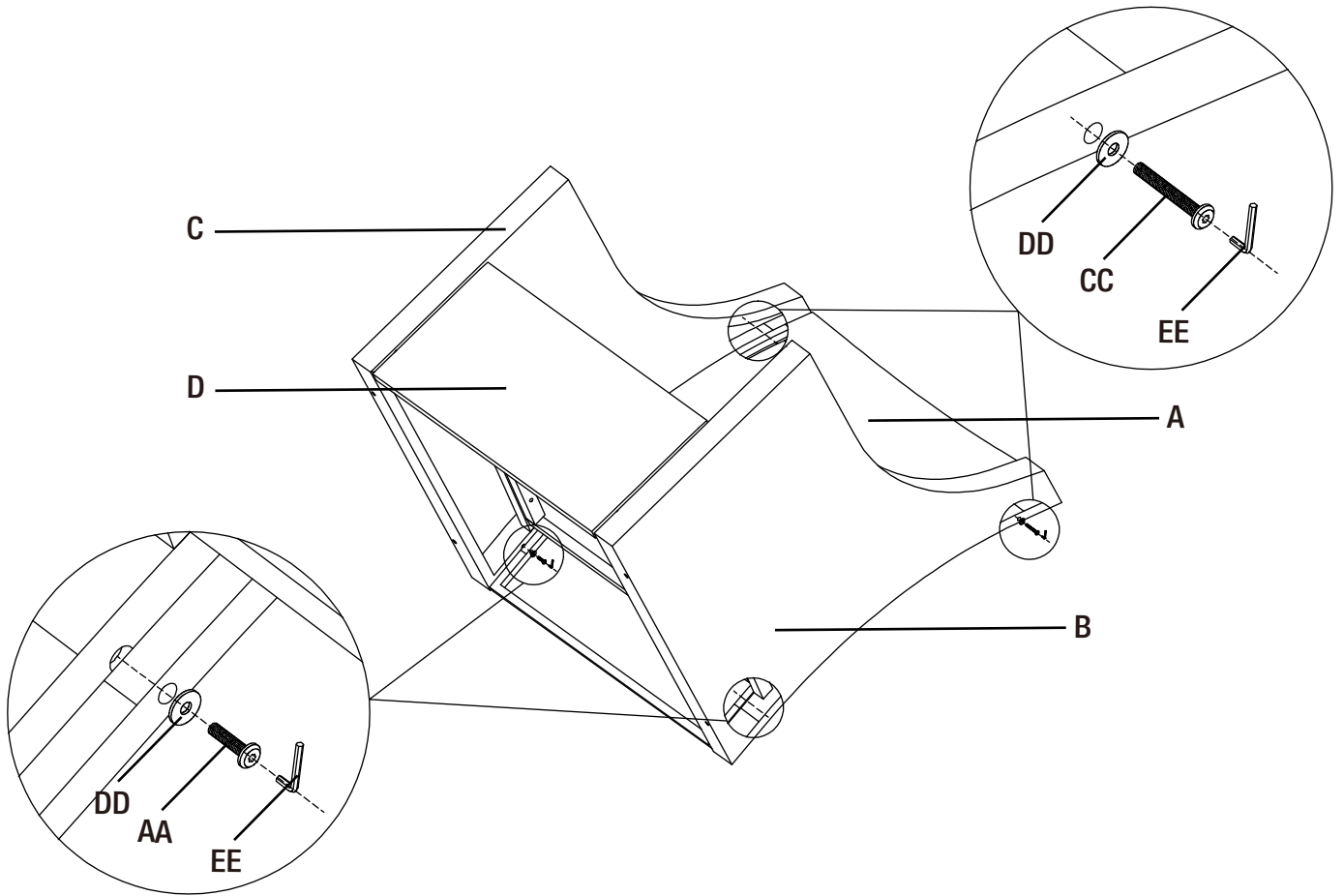
Assembly (continued)

3 Attaching the chair back to the seat and arms combination




- Place the chair back (A) on the ground, attach the seat and arms combination (B,C&D) to the chair back (A) .
- For the arm top area using bolts (CC) and metal washers (DD) from the side of the top, through the holes on arms to the pre-drilled holes on the top side of chair back. Do not tighten completely until assembly is completed.
- For the arm bottom area using bolts (AA) and metal washers (DD) from the inner side of the bottom, through the holes on chair seat to the pre-drilled holes on the bottom side of each arms. Do not tighten completely until assembly is completed.

! IMPORTANT: Do not tighten completely until assembly is completed.

Part	Description		Quantity
CC	Bolt (M6 x 75 mm)		2
DD	Metal Washer (Φ16*1.0mm)		2
EE	Allen Wrench (M6)		1



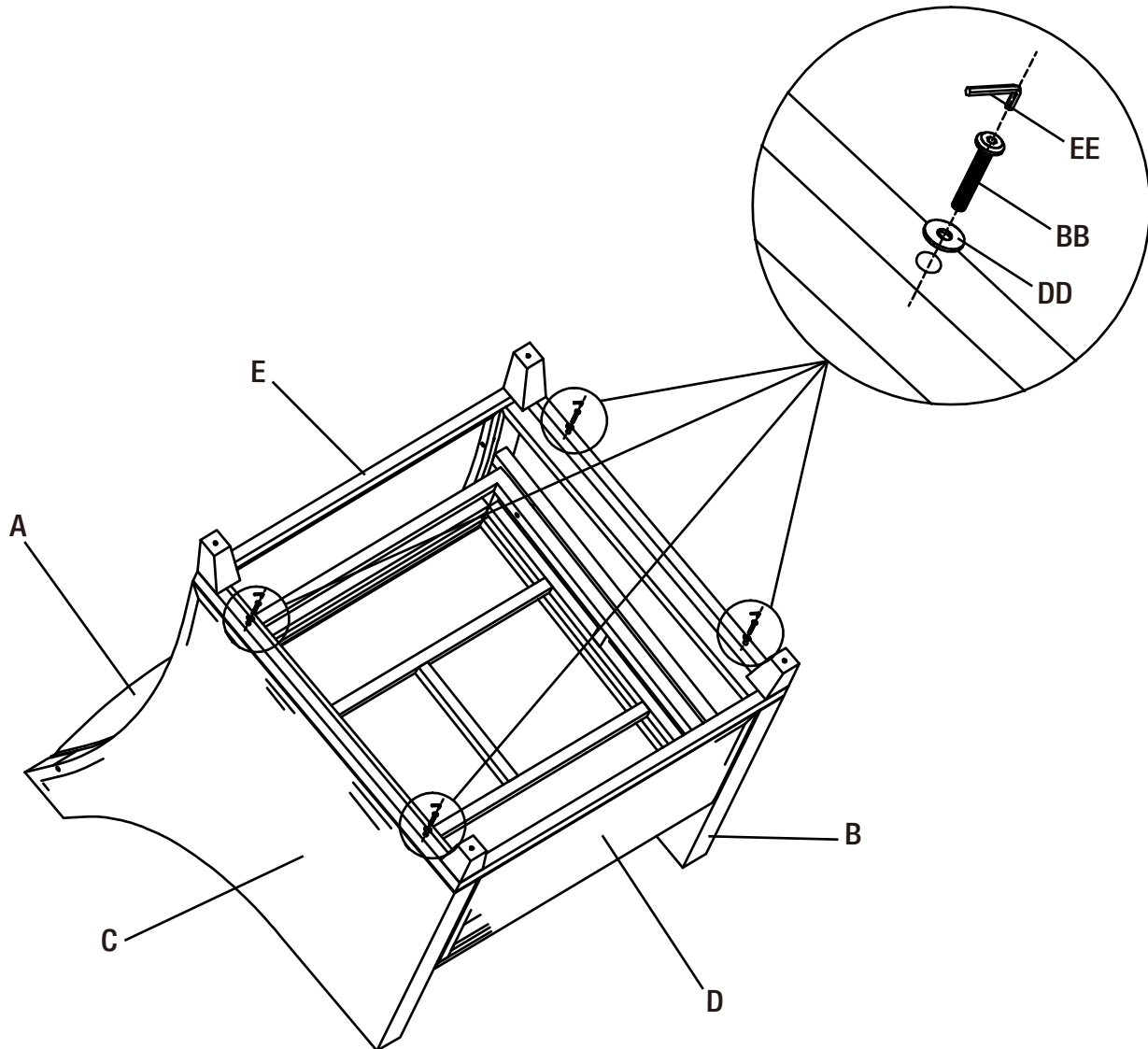
! IMPORTANT: Do not tighten completely until assembly is completed.




Part	Description		Quantity
AA	Bolt (M6 x 30 mm)		2
DD	Metal Washer (Φ16*1.0mm)		2
EE	Allen Wrench (M6)		1

Assembly (continued)

4 Attaching the chair base to the seat, arms and back combination

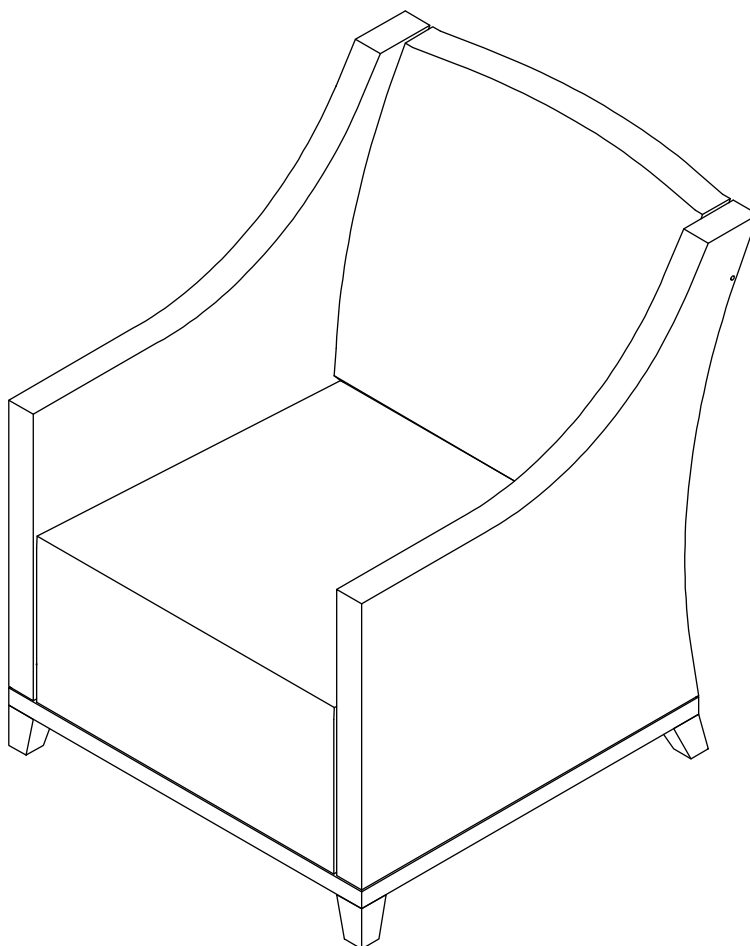
- Turn the assembled seat, arms and back combination (D, B, C & A) upside down on the ground, attaching the chair base (E) by using bolts (BB) with metal washers (DD) from bottom side through the holes on the chair base (E) into the arms (B&C).
- Using the provided allen wrench (EE) tighten all the bolts.



Part	Description		Quantity
BB	Bolt (M6 x 45mm)		2
DD	Metal Washer (Φ16*1.0mm)		2
EE	Allen Wrench (M6)		1

5 Completing the assembly

- With help of another person, carefully turn the assembled chair into upright position. Your chair is now ready for use, so relax & enjoy!





Questions, problems, missing parts? Before returning to the store,
call Hampton Bay Customer Service

8:00 a.m. - 7:00 p.m., EST, Monday-Friday
9:00 a.m. - 6:00 p.m., EST, Saturday

1-855-HD-HAMPTON

HAMPTONBAY.COM

Retain this manual for future use.