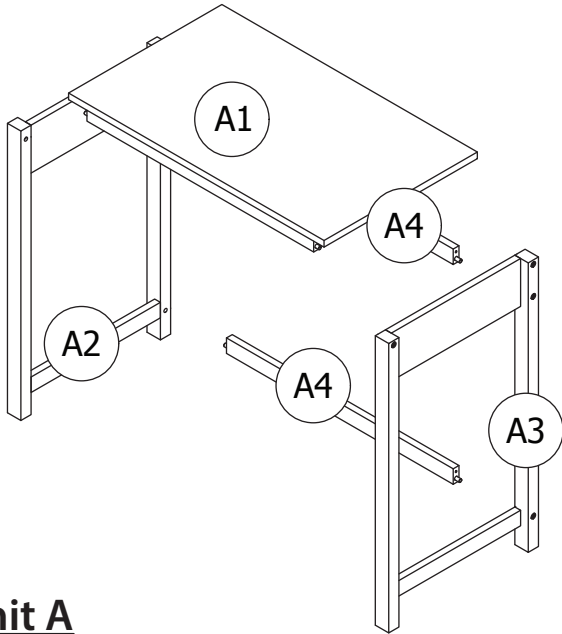


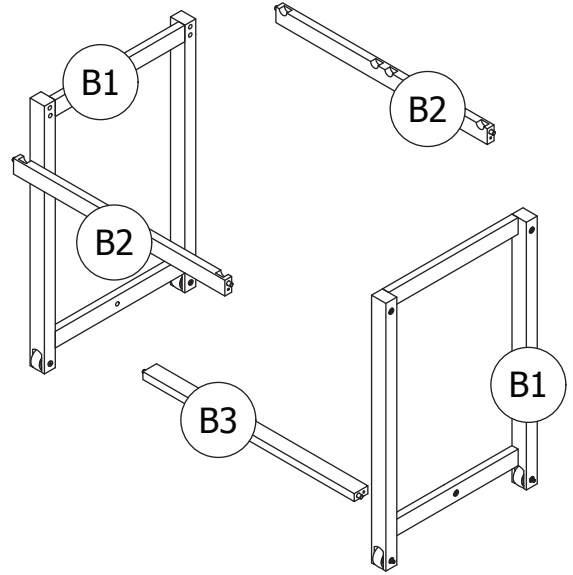
**Assembly Instruction**  
**Item# 761-3X**  
**Double Hamper Laundry Table**

# Parts List



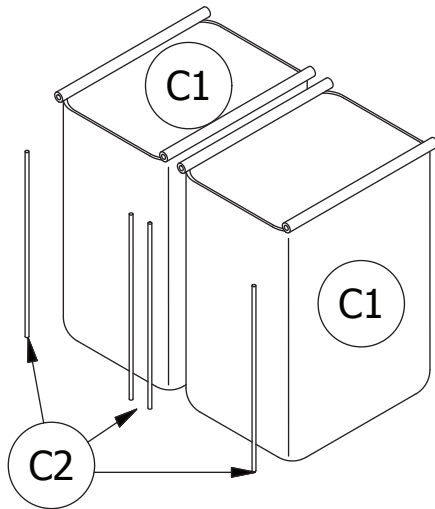
## Unit A

A1	Top	1 pc
A2	Left Panel	1 pc
A3	Right Panel	1 pc
A4	Top and Bottom Crossbar	2 pcs



## Unit B

B1	Side Panels	2 pcs
B2	Front and Back Crossbar	2 pcs
B3	Bottom Crossbar	1 pc



## Unit C

C1	Inner Bag	2 pcs
C2	Round Wood	4 pcs

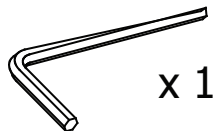
## Hardware



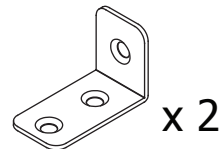
Large Screw  
RF10181



Medium Screw  
RF10003



Allen wrench  
RF40003



L-Bracket  
RF50003



Small Screw  
RF10004

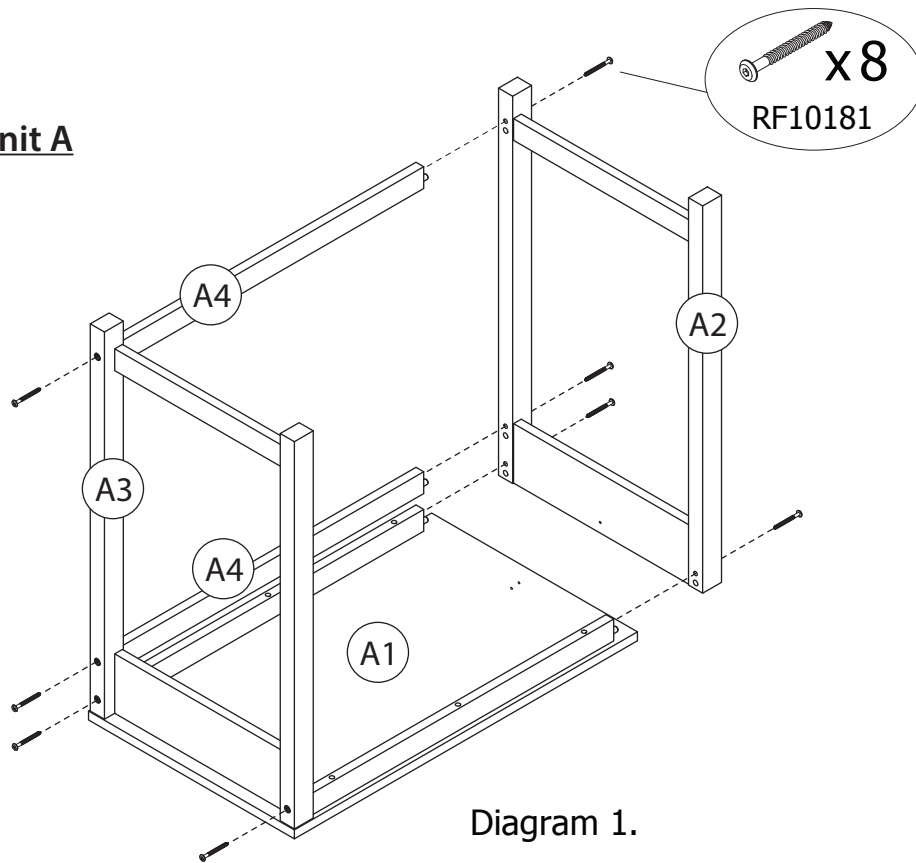
**Unit A**

Diagram 1.

**Step 1:**

Attach Top (A), Left Panel (A2), Right Panel (A3) and Crossbars (A4) together by using 8 Large screw (RF10181) as per diagram 1.

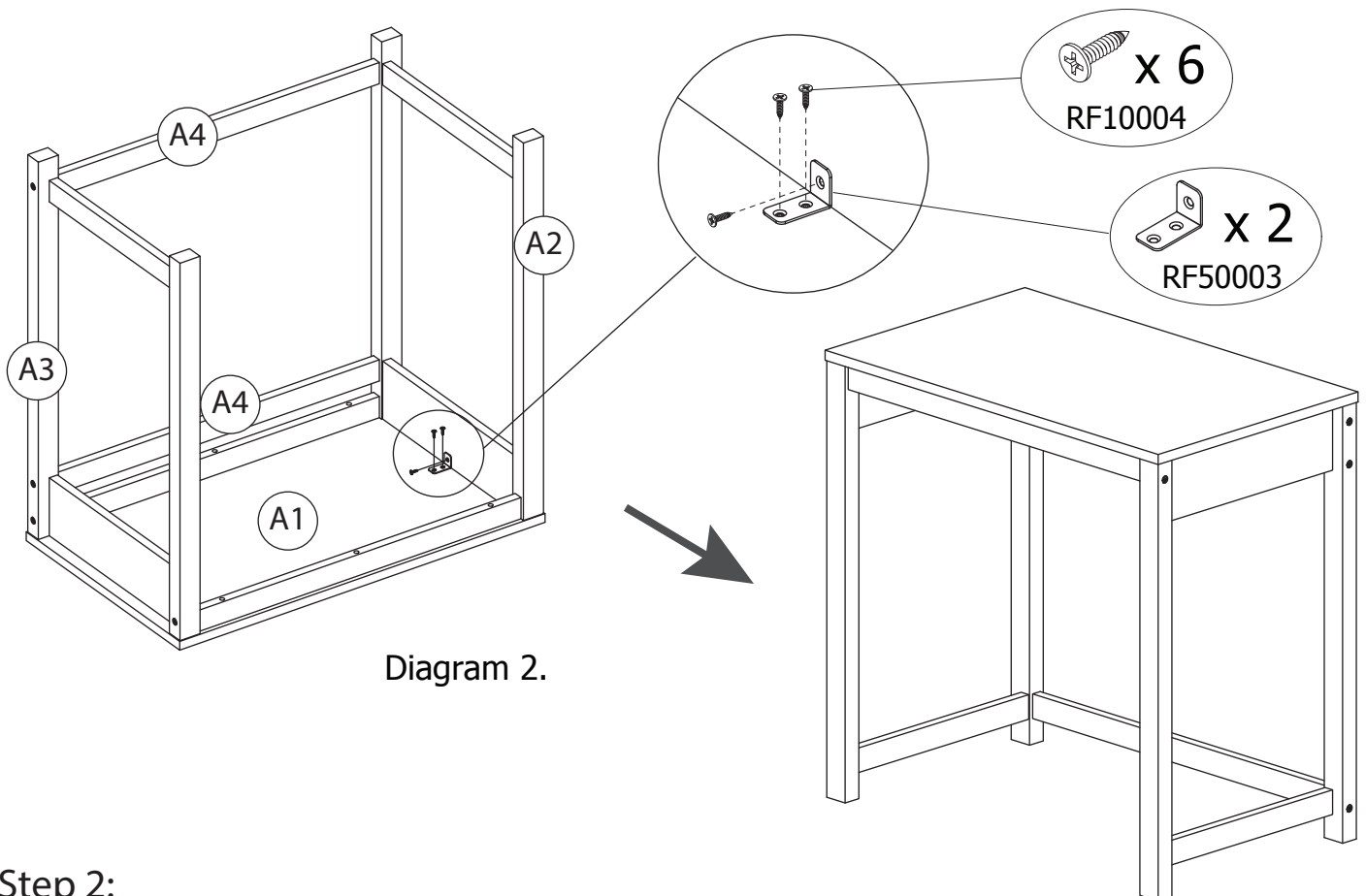


Diagram 2.

**Step 2:**

Attach 2 L-Bracket (RF50003) into the predrilled holes to both side panels by using 6 Small screw (RF10004) as per diagram 2.

**Unit B**

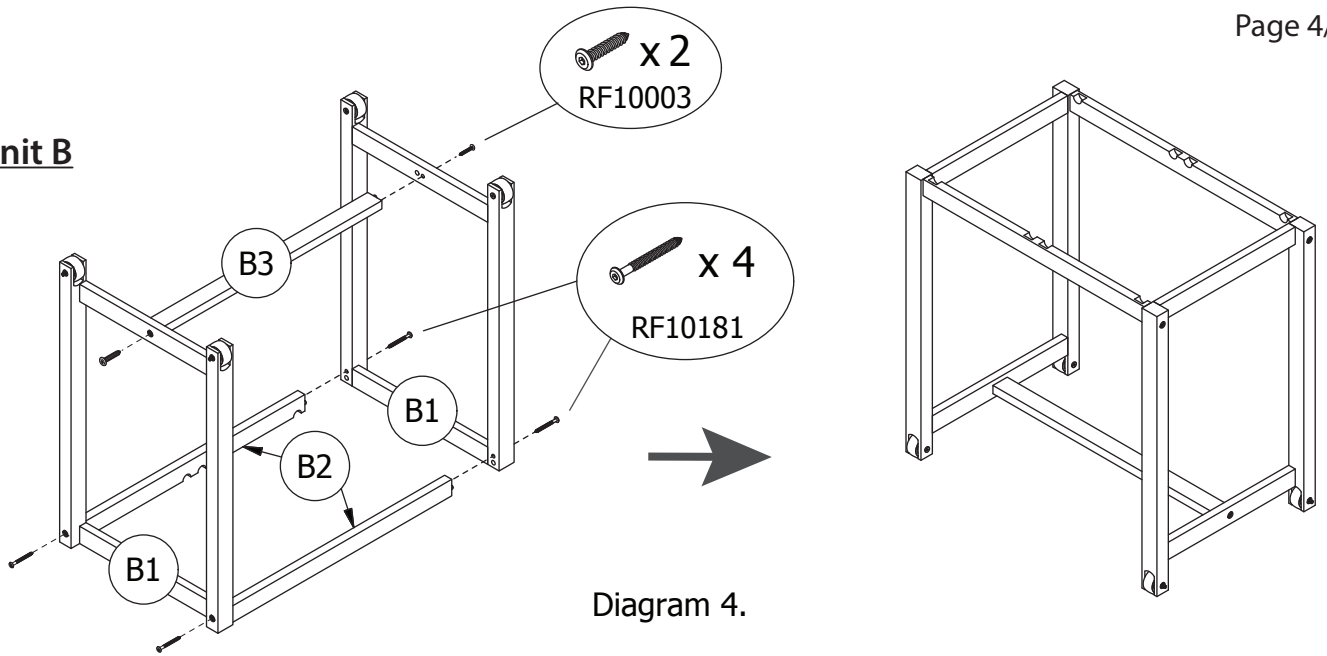


Diagram 4.

**Step 4:**

Attach Side Panels (B1) into the Front and Back Crossbar (B2) by using 4 Large screw (RF10181) and Bottom Crossbar (B3) by using 2 Medium screw (RF10003) as per diagram 4.

**Unit C**

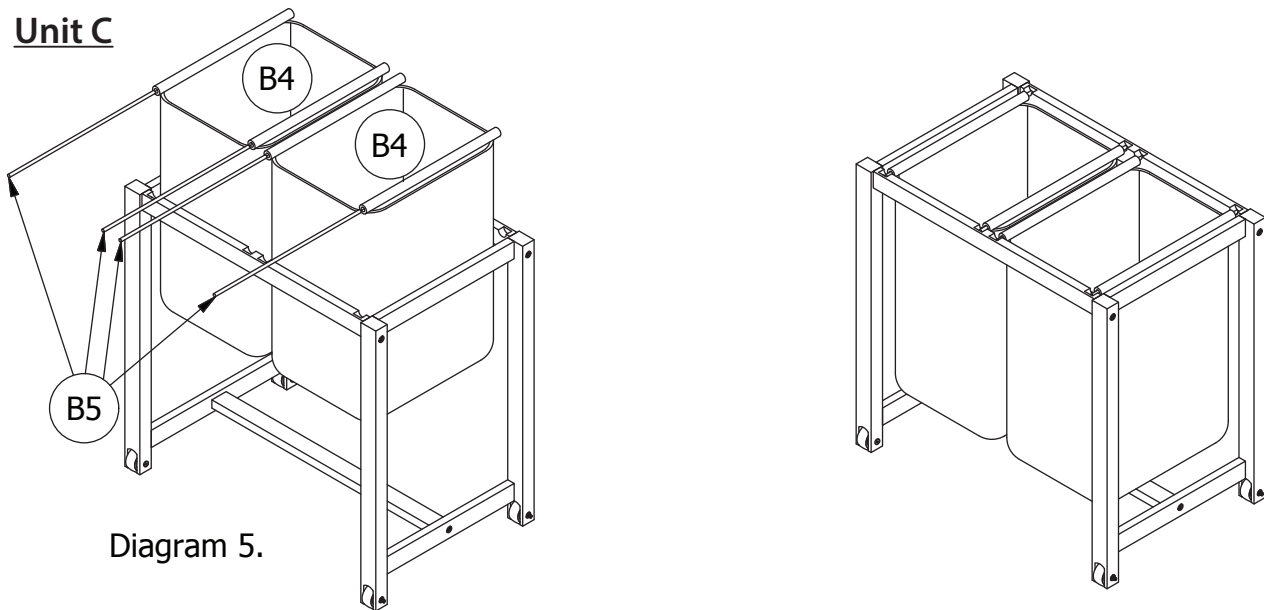
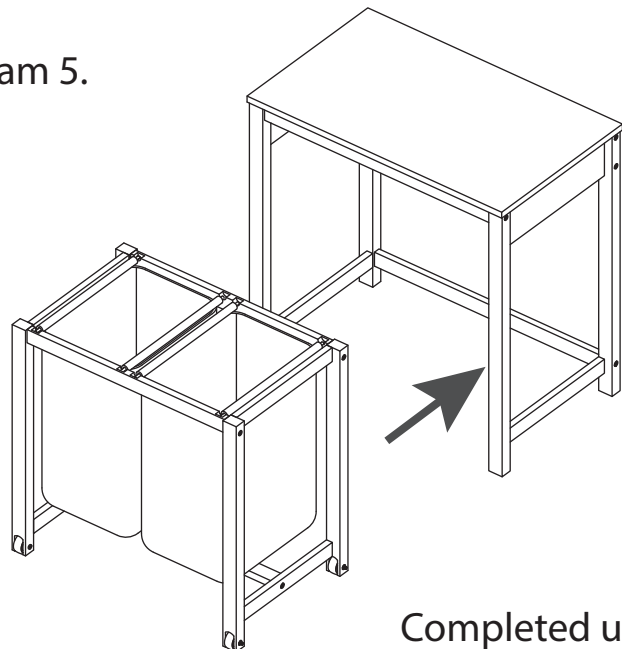


Diagram 5.

**Step 5:**

Insert Round Wood (B5) as per diagram 5.



Completed unit.