



Questions, problèmes, pièces manquantes?
Avant de retourner au magasin, veuillez communiquer avec
le service à la clientèle HUSKY
entre 8h00 et 18h00, HNE, du lundi au vendredi au

1-888-HD-HUSKY

HUSKYTOOLS.COM

Conservez ce guide pour un usage ultérieur.

REF.# IMH500600AV-E/F 07/16



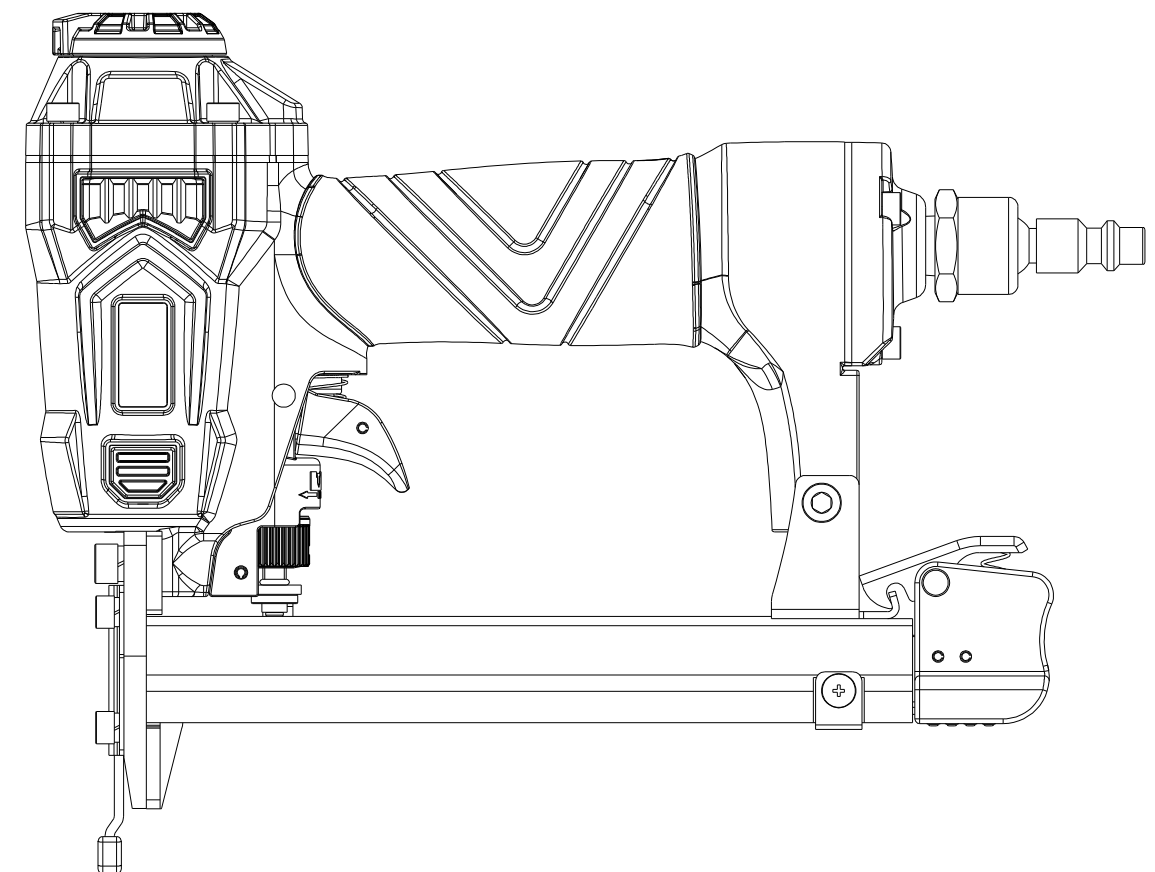
Item # 1001 022 620
Model # DPFWS

USE AND CARE GUIDE

20 GA. 9/16" FINE WIRE STAPLER

Question, problems, missing parts?
Before returning to the store, call
Husky Customer Service
8 a.m - 6 p.m, EST, Monday- Friday

1-888-HD-HUSKY
HUSKYTOOLS.COM



THANK YOU

*We appreciate the trust and confidence you have placed in Husky through the purchase of this pneumatic nailer .
We strive to continually create quality products designated to enhance your home. Visit us online to see our full line of products available for
your home improvement needs. Thanks you for choosing Husky!*

Table of Contents

Table of Contents	2
Safety Information	3
Symbols	3
Work area safety	3
Personal safety	3
Tool use and care	4
Tool service	5
Air source	5
Operation	5
Air supply and connections	6
Loading tool	6
Warranty	7
Unpacking	7
Specifications	8
Features	8
Operation	9
Adjusting the exhaust	9
Loading fasteners	9
Unloading fasteners	9
Clearing jams	9
Non-marring pad	10
Setting the air pressure	10
Depth adjustment	10
Firing the tool	11
Work contact element (WCE)	11
Maintenance	12
Anti-dust cap	12
Lubrication	12
Cleaning	12
Cold weather operation	12
Recommended Hookup	13
Troubleshooting	14

Safety Information



WARNING: To avoid serious personal injury, do not attempt to use this product until you read the manual thoroughly and understand it completely. Save this manual and review frequently for continuing safe operation and instructing others who may use this tool.



WARNING: When using tools, basic precautions should always be followed, including the followings.

SYMBOLS



Read operator's manual: To reduce the risk of injury, user must read and understand operator's manual before using this product.



Risk to hearing: Always wear ear protection when using this tool. Failure to do so may result in hearing loss.



Eye protection: Always wear safety goggles, safety glasses with side shields, or a full face shield when operating this product.



Risk of serious personal injury: Never place hands or any other body parts in the fastener discharge area of the nailer, the tool might eject a fastener and could result in death or serious personal injury.

WORK AREA SAFETY

1. Keep the work area clean and well lit. Cluttered benches and dark areas increase the risks of accidents.
2. Do not operate the tool in explosive atmospheres, such as in the presence of flammable liquids, gases, or dust. The tool creates a spark which may ignite flammable liquids, gases or dust.
3. Keep bystanders, children, and others away while operating the tool. Distractions could result in improper use and cause injury.
4. Avoid unintentional misfires. Always use caution to avoid accidentally firing. Do not point towards yourself or anyone whether it contains fasteners or not.

PERSONAL SAFETY



WARNING: Instructions pertaining to a risk of fire, electric shock, or injury to persons.



WARNING: This product or its power cord may contain chemicals known to the State of California to cause cancer and birth defects or other reproductive harm. Wash hands after handling.

1. Do not nail on top of another nail. This is able to cause the nail to be deflected and hit someone, or cause the tool to react and result in a risk of injury to persons.
2. Remove finger from the trigger when not driving fasteners. Never carry the tool with finger on trigger, the tool is able to fire a fastener.
3. Always wear eye protection. Operator and others in the work area should always wear ANSI-approved safety goggles with side shields. Eye protection is used to guard against flying fasteners and debris, which may cause severe eye injury.
4. Always wear hearing protection when using the tool. Prolonged exposure to high intensity noise may cause hearing loss.
5. Use safety equipment. A dust mask, non-skid safety shoes and a hard hat must be used for the applicable conditions. Wear a full face shield if you are producing metal filings or wood chips.
6. Dress properly. Do not wear loose clothing or jewelry. Contain long hair. Keep your hair, clothing, and gloves away from moving parts. Loose clothes, jewelry, or long hair can be caught in moving parts.
7. Stay alert, watch what you are doing and use common sense when operating a power tool. Do not use tool while tired or under the influence of drugs, alcohol, or medication. A moment of inattention while operating the tool may cause serious injury.
8. Avoid unintentional firing. Keep fingers away from trigger when not driving fasteners, especially when connecting the tool to the air supply.
9. Keep proper footing and balance at all times. Proper footing and balance enables better control of the tool in unexpected situations.
10. Do not use on a ladder or unstable supports. Stable footing on a solid surface enables better control of the tool in unexpected situations.
11. Make sure the hose is free of obstructions or snags. Entangled or snarled hoses can cause loss of balance or footing and may become damaged, resulting in possible injury.

Safety Information(Continued)

PERSONAL SAFETY(CONTINUED)

12. Do not overreach. Keep proper footing and balance at all times. Proper footing and balance enables better control of the tool in unexpected situations.
13. Do not attach the hose or tool to your body. Attach the hose to the structure to reduce the risk of loss of balance if the hose shifts.
14. Always assume that the tool contains fasteners. Do not point the tool toward yourself or anyone whether it contains fasteners or not.
15. Wash hands after handling. This product or its power cord may contain chemicals known to the State of California to cause cancer and birth defects or other reproductive harm.

TOOL USE AND CARE



WARNING: Disconnect the tool from the air source before making adjustments, doing tool maintenance, clearing jams, touching the safety yoke, leaving work area, or unloading the tool. Such precautionary measures reduce the risk of injury to persons.

1. Know this tool. Read manual carefully, learn its applications and limitations, as well as the specific potential hazards related to this tool.
2. Use only fasteners that are recommended for your models. Do not use the wrong fasteners or load the fasteners incorrectly.
3. Use only accessories that are identified by the manufacturer for the specific tool model. Use of unauthorized parts or failure to follow maintenance instructions may create a risk of injury.
4. Use only those fasteners recommended for use with this tool. Fasteners not identified for use with this tool by the tool manufacturer are able to result in a risk of injury to persons or tool damage when used in this tool.
5. Check for misalignment or binding of moving parts, breakage of parts, and any other condition that may affect the tool's operation. If damaged, have the tool serviced before using. Many accidents are caused by poorly maintained tools.
6. Maintain tools with care. Keep tool clean. A properly maintained tool, reduces the risk of binding and is easier to control.
7. Store tools out of the reach of children and other untrained people. Tools are dangerous in the hands of untrained users.

8. Check operation of the tool before use. Do not use the tool if the workpiece contact mechanism is not working correctly as accidental driving of a fastener may occur.
9. Do not use tool if trigger does not actuate properly. Any tool that cannot be controlled with the trigger is dangerous and must be repaired.
10. Do not force tool. Use the correct tool for your application. The correct tool will do the job better and safer at the rate for which it is designed.
11. Use clamps or another practical way to secure and support the workpiece to a stable platform. Holding a tool by hand or against the body is unstable and may lead to loss of control.
12. Keep the tool and its handle dry, clean and free from oil and grease. Always use a clean cloth when cleaning. Never use brake fluids, gasoline, petroleum-based products, or any strong solvents to clean your tool.
13. Do not use the tool as a hammer.
14. Never use this tool in a manner that could cause a fastener to be directed toward anything other than the workpiece.
15. Never use gasoline or other flammable liquids to clean the tool. Never use the tool in the presence of flammable liquids or gases. Vapors could ignite by a spark and cause an explosion which will result in death or serious personal injury.
16. Do not remove, tamper with, or otherwise cause the trigger lock or trigger to become inoperable. Do not operate any tool which has been modified in a like fashion. Death or serious personal injury could result.
17. Do not touch the trigger unless driving fasteners. Never attach air line to tool or carry tool while touching the trigger. The tool could eject a fastener which will result in death or serious personal injury. Also actuate the trigger lock to the safe position when not in use.
18. Always fit tool with a fitting or hose coupling on or near the tool in such a manner that all compressed air in the tool is discharged at the time the fitting or hose coupling is disconnected. Do not use a check valve or any other fitting which allows air to remain in the tool. Death or serious personal injury could occur.
19. Never place hands or any other body parts in the fastener discharge area of the tool. The tool might eject a fastener and could result in death or serious personal injury.
20. Never carry the tool by the air hose or pull the hose to move the tool or a compressor. Keep hoses away from heat, oil and sharp edges. Replace any hose that is damaged, weak or worn. Personal injury or tool damage could occur.

Safety Information(Continued)

TOOL USE AND CARE(CONTINUED)

21. Always assume the tool contains fasteners. Respect the tool as a working implement; no horseplay.
22. Always keep others at a safe distance from the work area in case of accidental discharge of fasteners. Do not point the tool toward yourself or anyone whether it contains fasteners or not. Accidental triggering of the tool could result in death or serious personal injury.
23. Do not drop or throw the tool. Dropping or throwing the tool can result in damage that will make the tool unusable or unsafe. If the tool has been dropped or thrown, examine the tool closely for bent, cracked or broken parts and air leaks. STOP and repair before using, or serious injury could occur.
24. Avoid using the tool when the magazine is empty. Accelerated wear on the tool may occur.
25. Clean and check all air supply hoses and fittings before connecting the tool to an air supply. Replace any damaged or worn hoses or fittings. Tool performance or durability may be reduced.
26. Do not use the tool if it leaks air or does not function properly.
27. Do not operate the tool if it does not contain a legible warning label.
28. Always carry the tool by the handle. Never carry the tool by the air hose.

TOOL SERVICE

1. Use only accessories that are identified by the manufacturer for the specific tool model.
2. When servicing a tool, use of unauthorized parts or failure of following maintenance instructions may create a risk of injury.
3. Use only the lubricants supplied with the tool or specified by the manufacturer.
4. Tool service must be performed only by qualified repair personnel.

AIR SOURCE

1. Never Connect to an air source that is capable of exceeding 200psi. Over pressurizing the tool is able to result in bursting, abnormal operation, breakage of the tool or serious injury to persons. Use only clean, dry, regulated compressed air at the rated pressure or within the rated pressure range as marked on the tool. Always verify prior to using the tool that the air source has been adjusted to the rated air pressure or within the rated air-pressure range.
2. Never use oxygen, carbon dioxide, combustible gases or any bottled gas as an air source for the tool. Such gases are capable of explosion and serious injury to person.

OPERATION

1. Do not drive fasteners near edge of material. The workpiece may split causing the fastener or ricochet, injuring you or people around.
2. Do not carry the tool from place to place holding the trigger. Accidental discharge could result. Choice of triggering method is important. Check manual for triggering options.
3. During normal use the tool will recoil immediately after driving a fastener. This is a normal function of the tool. Do not attempt to prevent the recoil by holding the tool against the work. Restriction to the recoil can result in a second fastener being driven from the tool. Grip the handle firmly and let the tool do the work. Failure to heed this warning can result in serious personal injury.
4. Do not drive fasteners on top of other fasteners or with the tool at an overly steep angle as this may cause deflection of fasteners which could cause injury.
5. Do not actuate the tool unless you intend to drive a fastener into the workpiece.
6. Always handle the tool with care:
 - Respect the tool as a working implement.
 - Never engage in horseplay.
 - Never pull the trigger unless nose is directed toward the work.
 - Keep others a safe distance from the tool while tool is in operation as accidental actuation may occur, possibly causing injury.

Safety Information(Continued)

AIR SUPPLY AND CONNECTIONS

1. The Connector on the tool must not hold pressure when air supply is disconnected. If an incorrect fitting is used, the tool can remain charged with air after disconnecting and thus will be able to drive a fastener even after the air line is disconnected, possible causing injury.
2. Do not use any type of reactive gases, including, but not limited to, oxygen and combustible gases, as a power source. Use filtered, lubricated, regulated compressed air only. Use of a reactive gas instead of compressed air may cause the tool to explode which will cause death or serious personal injury.
3. Use only a pressure-regulated compressed air source to limit the air pressure supplied to the tool. The regulated pressure must not exceed 100 psi. If the regulator fails, the pressure delivered to the tool must not exceed 200 psi.
4. Always disconnect air source:
 - Before unloading or making adjustments.
 - When maintaining the tool.
 - When clearing a jam.
 - When touching the safety yoke.
 - When tool is not in use.
 - When moving to a different work area.

Such precautionary measures reduce the risk of injury to persons.

LOADING TOOL

1. Do not load the tool with fasteners when any one of the operating controls is activated.
2. Never place a hand or any part of body in fastener discharge area of tool.
3. Never point tool at anyone.
4. Do not pull the trigger or depress the workpiece contact as accidental actuation may occur, possibly causing injury.



WARNING: The warnings and precautions discussed above cannot cover all possible conditions and situations that may occur. It must be understood by the user that common sense and caution are factors which cannot be built into this product, but must be supplied by the user.

Warranty

HUSKY PNEUMATIC NAILER LIMITED TWO-YEAR WARRANTY

This warranty covers defects in workmanship or materials in this HUSKY pneumatic nailer for the two-year period from the date of purchase. This warranty is specific to this pneumatic nailer. Warranties for other HUSKY products may vary.

This warranty applies only to the original retail purchaser and may not be transferred. This warranty does not cover normal wear and tear or any malfunction, failure or defect resulting from misuse, abuse, neglect, alteration, modification or repair by other than a service center authorized to repair HUSKY branded air nailer. Expendable materials, such as O-rings, bumpers, driver blades, seals, etc. are not covered by this warranty. This warranty does not apply to pneumatic nailer used in industrial application or for rental purposes. HUSKY makes no warranties, representations or promises as to the quality or performance of its pneumatic nailer other than those specifically stated in this warranty.

ADDITIONAL LIMITATIONS

To the extent permitted by applicable law, all implied warranties, including warranties of merchantability or fitness for a particular purpose, are disclaimed. Any implied warranties, including warranties of merchantability or fitness for a particular purpose, that can not be disclaimed under state law are limited to two years from the date of purchase. HUSKY is not responsible for direct, indirect, incidental, special or consequential damages. If this pneumatic nailer is used for commercial purposes, the warranty will apply for ninety (90) days from the date of purchase. Some states do not allow limitations on how long an implied warranty lasts and/or do not allow the exclusion or limitation of incidental or consequential damages, so the above limitations may not apply to you. This warranty gives you specific legal rights, and you may also have other rights, which vary from state to state.

Unpacking

1. This tool kit has been shipped completely assembled.
2. Carefully remove the tool and any accessories from the box.
3. Inspect the tool carefully to make sure no breakage or damage occurred during shipping.
4. Do not discard the packing material until you have carefully inspected and satisfactorily operated the tool.
5. If any parts are damaged or missing, please call 1-888-HD-HUSKY.



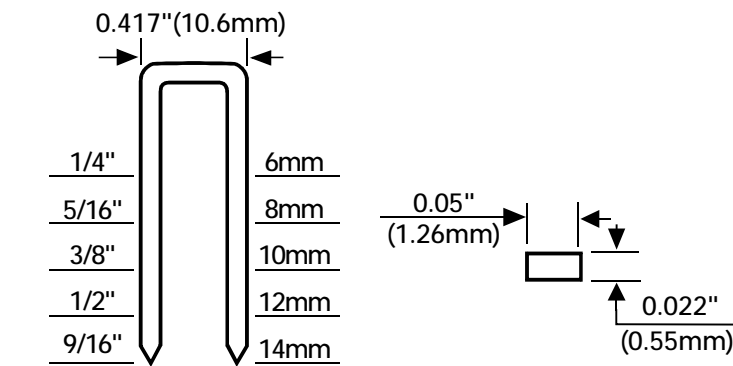
WARNING: If any parts are missing, do not operate the tool until the missing parts are replaced. Failure to do so could result in possible serious personal injury.



WARNING: Do not attempt to modify the tool or create accessories not recommended for use with the tool. Any such alteration or modification is misuse and could result in hazardous condition leading to possible serious personal injury.

Specifications

- Air consumption : 0.96 SCFM with 100 fasteners per minute @ 80 psi
- Air inlet: 1/4 inch NPT
- Magazine capacity: 100 PCS
- Weight: 2.06 lbs
- Maximum pressure: 100 psi
- Pressure range: 60 psi – 100 psi
- Fasteners range: 1/4 inch to 9/16 inch



Compatible with all generic 20 gauge fine wire staples.

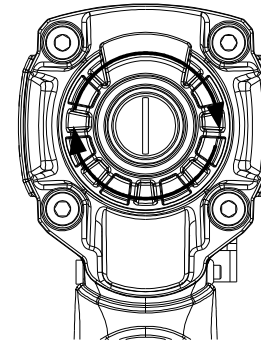
Features

- 360° ADJUSTABLE EXHAUST
Allows user to direct air away from face.
- COMFORT-GRIP HANDLE
For increased comfort and control.
- ERGONOMICALLY ENGINEERED BODY
Rugged and comfortable resulting in a light-weight tool great for extended use.
- NON-MARRING SAFETY CONTACT
Eliminates damage to working surface.
- ADJUSTABLE DEPTH
Depth is easily adjustable for various applications.

Operation

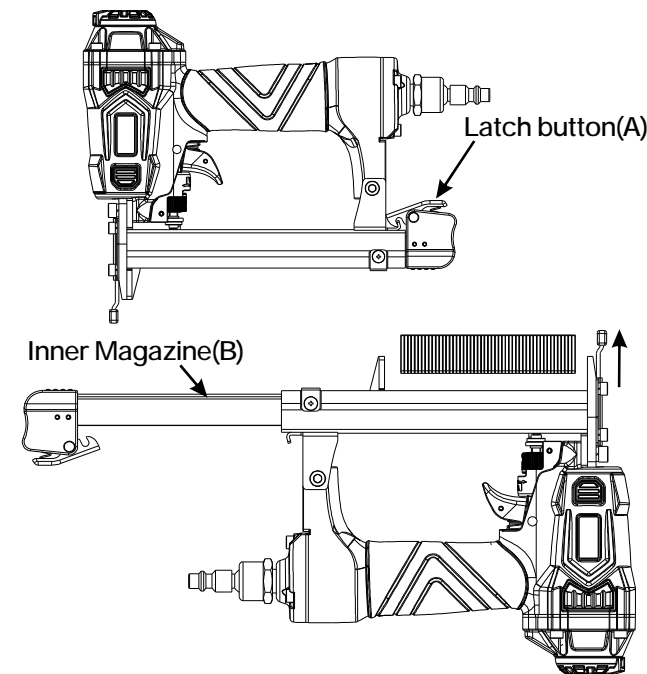
1 Adjusting the Exhaust

The adjustable exhaust on the cap of the tool allows users to direct the exhaust according to operator preference. To adjust the direction, turn the exhaust cap in the desired direction.



2 Loading fasteners

- Connect the tool to the air source.
- Push down on the Latch Button (A). Pull back on the Inner Magazine (B).
- Please load the fasteners with the head of the staples facing the same direction as the work contact element beneath the magazine. **THIS TOOL IS A BOTTOM LOADING STAPLER!**
- Push the Inner Magazine (B) forward until latch button pops up.



WARNING: The tool may fire when it is first connected to the air source. Always connect the tool to the air source before loading fasteners to prevent injury from unintended cycling. Always make sure the tool's magazine is empty at the beginning of each work session before connecting to an air source.



WARNING: Keep the tool pointed away from yourself and others when loading fasteners. Failure to do so could result in possible serious personal injury.



WARNING: Use only those fasteners recommended for use with this tool. Fasteners not identified for use with this tool by the tool manufacturer are able to result in a risk of injury to persons or tool damage when used in this tool.



WARNING: Never load fasteners with the workpiece contact or trigger activated. Doing so could result in possible serious personal injury.

3 Unloading fasteners

Unloading is the reverse of loading, except always disconnect the air source before unloading.



WARNING: Always unload all fasteners before removing tool from service.



WARNING: Always disconnect the air source before unloading.

4 Clearing jams

Occasionally, a fastener may become jammed in the firing mechanism of the tool, making the tool inoperable. To remove a jammed fastener, follow the steps below:

- Disconnect the tool from the air source.
- Remove fasteners from the tool. Failure to do so will cause the fasteners to eject from the front of the tool.
- Pull back the inner magazine (B), and remove the jammed fastener from the nose (C).
- Reconnect the tool to the air source.
- Reload the tool with fasteners.

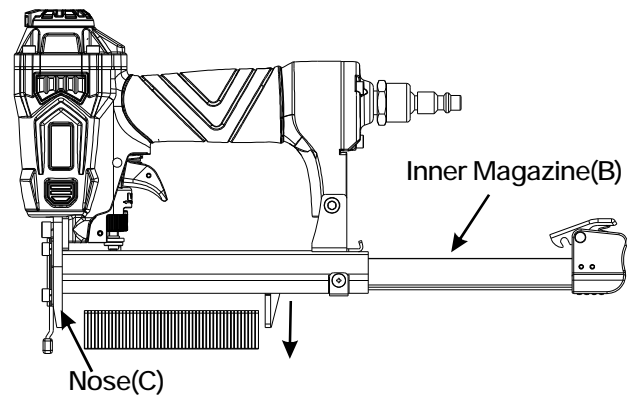
Operation(Continued)



WARNING: Disconnect the tool from the air source whenever clearing a jam. After disconnecting the tool from the air compressor there should still be enough air pressure to fire the tool. After the air hose is disconnected, always fire the tool into scrap wood repeatedly to make sure all of the compressed air is expended.



WARNING: Make sure there is no fastener in magazine before clearing a jam.



5 Non-marring pad

The non-marring pad attached to the nose of the tool helps prevent marring and denting when working with softer woods.



WARNING: Disconnect the tool from the air source before removing or replacing the non-marring pad. Failure to do so could result in serious personal injury.

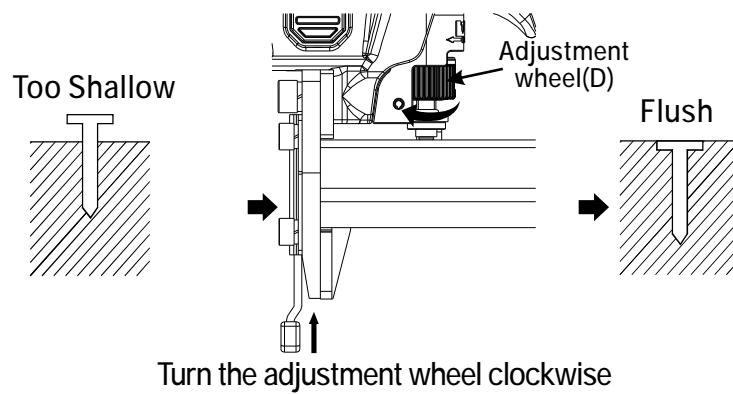
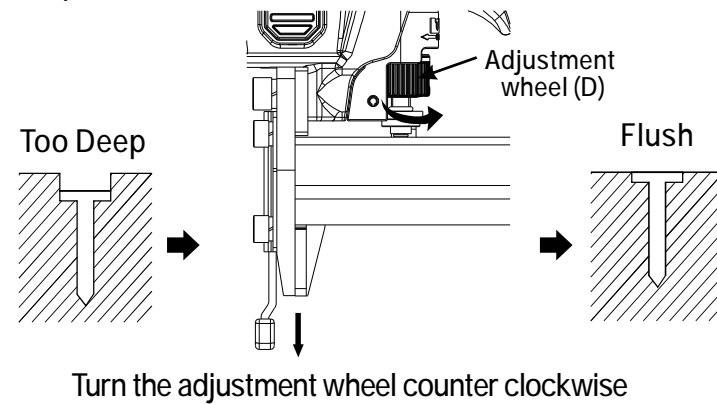
6 Setting the air pressure

- The amount of air pressure required depends on the size of the fasteners and the workpiece material.
- Begin testing the depth of drive by driving a test nail into the same type of workpiece material used for the actual job.
- Drive a test fastener with the air pressure set at 90-95 psi. Raise or lower the air pressure to find the lowest setting that will perform the job with consistent results.
- It may be possible to achieve the desired depth with air pressure adjustments alone.

7 Depth adjustment

The driving depth of the fasteners are adjustable. To adjust the depth, use the drive depth adjustment wheel (D) on the tool.

- Disconnect the tool from air source.
- Turn the depth wheel left or right to change the driving depth.
- Reconnect the tool to the air source.
- Drive a test nail after each adjustment until the desired depth is set.

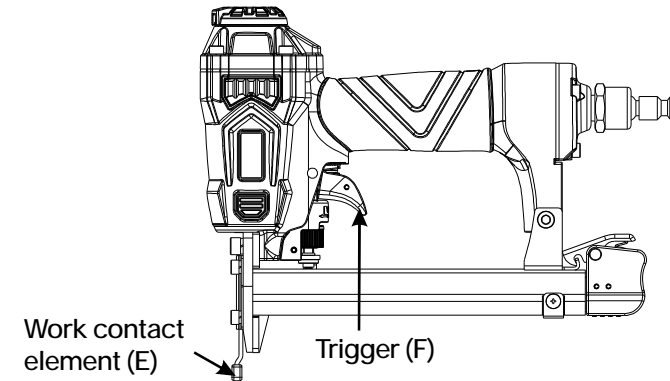


CAUTION: It is advisable to test the depth on a scrap workpiece to determine the required depth for the application. To determine depth of drive, first adjust the air pressure and drive a test fastener. Never exceed 100 psi.

Operation(Continued)

8 Firing the tool

- The tool is specially designed for single sequential mode. This mode requires the trigger (F) to be pulled each time a fastener is driven. The tool can be actuated by depressing the Work Contact Element (WCE) (E) against the work surface followed pulling the trigger .
- The trigger must be released to reset the tool before another fastener can be driven.



WARNING: Always know the operational mode of the tool before using. Failure to know the operational mode could result in death or serious personal injury.



WARNING: An improperly functioning tool must not be used. Do not actuate the tool unless the tool is placed firmly against the work place.

9 Work contact element (WCE)

- Disconnect the air supply from the tool.
- Remove all fasteners from the magazine.
- Make sure the trigger and work contact element move freely up and down without sticking or binding.
- Reconnect air supply to the tool.
- Depress the work contact element against the work surface without pulling the trigger, the tool must not operate. Do not use the tool if it operates without pulling the trigger. Personal injury may result.
- Remove the tool from the work surface, the work contact element (WCE) must return to its original down position, the tool must not operate. Do not use the tool if it operates while lifted from the work surface. Personal injury may result.
- Pull the trigger and depress the work contact element (WCE) against the work surface, the tool must not operate.
- Depress the work contact element (WCE) against the surface, pull the trigger, the tool must operate.



CAUTION: Check the operation of the work contact element trip mechanism before each use. The WCE must move freely without binding through its entire travel distance. Do not operate the tool if the WCE trip mechanism is not operating properly. Personal injury may occur.

Maintenance



WARNING: Any time inspection, maintenance, and cleaning are done:

- Disconnect the tool from the air source.
- Empty the magazine completely.

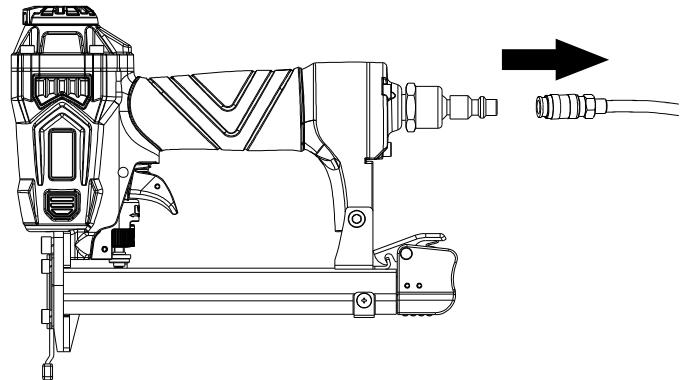
ANTI-DUST CAP

Each tool is packed with an anti-dust cap on the air connector, check it after unpacking. Keep the anti-dust cap covering the air connector when the tool is not in use.

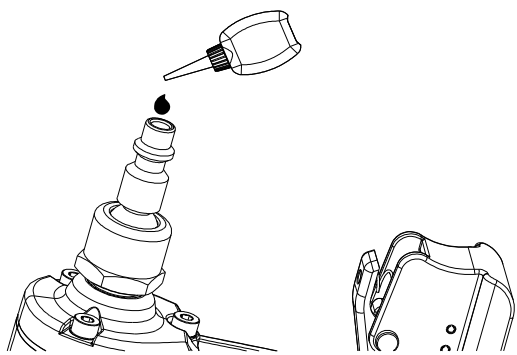
LUBRICATION

Frequent, but not excessive, lubrication is required for best performance. Oil for the tool is added through the air line connection and will lubricate the internal parts. Do not use detergent oil or additives as these lubricants will cause accelerated wear to the seals and bumpers in the tool, resulting in poor tool performance and frequent tool maintenance.

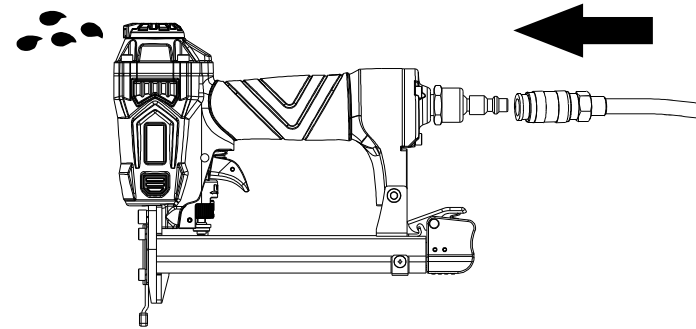
- Disconnect the air supply from the tool to add lubricant.



- Turn the tool so the air inlet is facing up. Place 2-3 drops of pneumatic fastening tool oil into the air inlet. Do not use detergent oil or additives as these lubricants will cause accelerated wear to the seals and bumpers in the tool, resulting in poor tool performance and frequent tool maintenance.



- After adding oil, run the tool briefly. Wipe off any excess oil from the cap exhaust.



CAUTION: Lubricate the tool only with specified lubricants.



CAUTION: The work surface can become damaged by excessive lubrication. Proper lubrication is the owner's responsibility. Failure to lubricate the tool properly will dramatically shorten the life of the tool and void your warranty.

CLEANING

Avoid using solvents when cleaning plastic parts. Most plastics are susceptible to damage from various types of commercial solvents and maybe damaged by their use. Use clean cloths to remove dirt, dust, oil, grease, etc.



WARNING: Do not at any time let brake fluids, gasoline, petroleum-based products, penetration oils, ect. come in contact with plastic parts. Chemicals can damage, weaken or destroy plastic which may result in serious personal injury.

COLD WEATHER

For cold weather operation, near and below freezing, the moisture in the air line may freeze and prevent tool operation. We recommend the use of air tool lubricant or permanent antifreeze (ethylene glycol) as a cold weather lubricant.



CAUTION: Do not store tools in a cold weather environment to prevent frost or ice formation on the tool's operating valves and mechanisms that could cause tool failure.

Recommended hookup

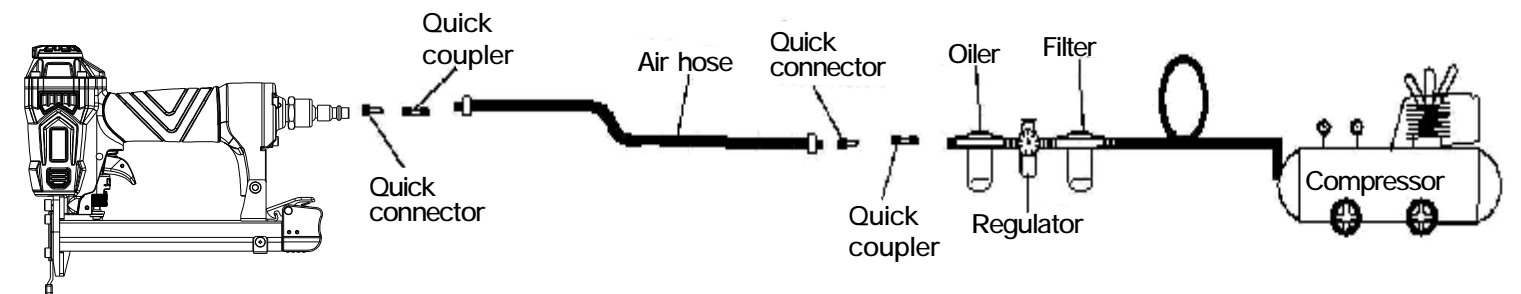
- The air compressor must be able to maintain a minimum of 60 psi when the tool is being used. An inadequate air supply can cause a loss of power and inconsistent driving.
- An oiler can be used to provide oil circulation through the tool. A filter can be used to remove liquid and solid impurities which can rust or gum up internal parts of the tool.
- Always use air supply hoses with a minimum working pressure rating equal to or greater than the pressure from the power source if a regulator fails, or 150 psi, whichever is greater. Use 3/8" air hose for runs up to 50' and use a 3/8" quick coupler on the air hose.
- Use a pressure regulator on the compressor, with an operating pressure of 0-125 psi. A pressure regulator is required to control the operating pressure of the tool between 60 psi and 100 psi .



CAUTION: The air compressor must be able to maintain a minimum of 60 psi when the tool is being used. An inadequate air supply can cause a loss of power and inconsistent driving.



WARNING: Do not connect with air compressor which can potentially exceed 200 psi. As tool may burst, possibly causing injury.



Troubleshooting



WARNING: Stop using tool immediately if any of the following problems occur. Serious personal injury could result. Any repairs or replacements must be done by a qualified service person or an authorized service center.

Problems	Possible Cause(s)	Corrective Action
Air leaking at trigger valve area.	O-rings in trigger valve housing are damaged.	Replace O-rings.
Air leaking between housing and nose.	<input type="checkbox"/> Loose screws in housing. <input type="checkbox"/> Damaged O-rings. <input type="checkbox"/> Damaged bumper.	<input type="checkbox"/> Tighten screws. <input type="checkbox"/> Replace O-rings. <input type="checkbox"/> Replace bumper.
Air leaking between housing and cap.	<input type="checkbox"/> Loose screws. <input type="checkbox"/> Damaged gasket.	<input type="checkbox"/> Tighten screws. <input type="checkbox"/> Replace gasket.
Tool skips driving fastener.	<input type="checkbox"/> Worn bumper. <input type="checkbox"/> Dirt in nose piece. <input type="checkbox"/> Dirt or damage prevent the fasteners or pusher from moving freely in magazine. <input type="checkbox"/> Damaged pusher spring. <input type="checkbox"/> Inadequate air flow to tool. <input type="checkbox"/> Worn O-ring on piston or lack of lubrication. <input type="checkbox"/> Damaged O-ring on trigger valve. <input type="checkbox"/> Air leaks. <input type="checkbox"/> Cap seal leaking.	<input type="checkbox"/> Replace bumper. <input type="checkbox"/> Clean drive channel. <input type="checkbox"/> Clean magazine. <input type="checkbox"/> Replace spring. <input type="checkbox"/> Checking fitting, hose, or compressor. <input type="checkbox"/> Replace and lubricate O-rings. <input type="checkbox"/> Replace O-rings. <input type="checkbox"/> Tighten screws and fittings. <input type="checkbox"/> Replace gasket.
Tool runs slow or has loss of power.	<input type="checkbox"/> Tool not lubricated sufficiently. <input type="checkbox"/> Broken spring in cylinder cap. <input type="checkbox"/> Exhaust port in cap is blocked.	<input type="checkbox"/> Lubricate nailer. <input type="checkbox"/> Replace spring. <input type="checkbox"/> Replace damaged internal parts.
Fasteners are jammed in tool.	<input type="checkbox"/> Guide on driver is worn. <input type="checkbox"/> Fasteners are not correct size. <input type="checkbox"/> Fasteners are bent. <input type="checkbox"/> Magazine or nose screws are loose. <input type="checkbox"/> Drive blade is damaged.	<input type="checkbox"/> Replace guide. <input type="checkbox"/> Use only recommended fasteners. <input type="checkbox"/> Replace with undamaged fasteners. <input type="checkbox"/> Tighten screws. <input type="checkbox"/> Replace drive blade.



Question, problems, missing parts? Before returning to the store,
 Call Husky Customer Service
 8 a.m - 6 p.m, EST, Monday- Friday

1-888-HD-HUSKY

HUSKYTOOLS.COM

Retain this manual for future use.



Article n° 1001 022 620
Modèle n° DPFWS

GUIDE D'UTILISATION ET D'ENTRETIEN

FIN FIL DE AGRAFEUSE DE CALIBRE 20 DE 14MM (9/16 PO)

Questions, problèmes, pièces manquantes?
Avant de retourner au magasin, veuillez communiquer avec le service à la clientèle Husky entre 8h00 et 18h00, HNE, du lundi au vendredi au

1-888-HD-HUSKY
HUSKYTOOLS.COM

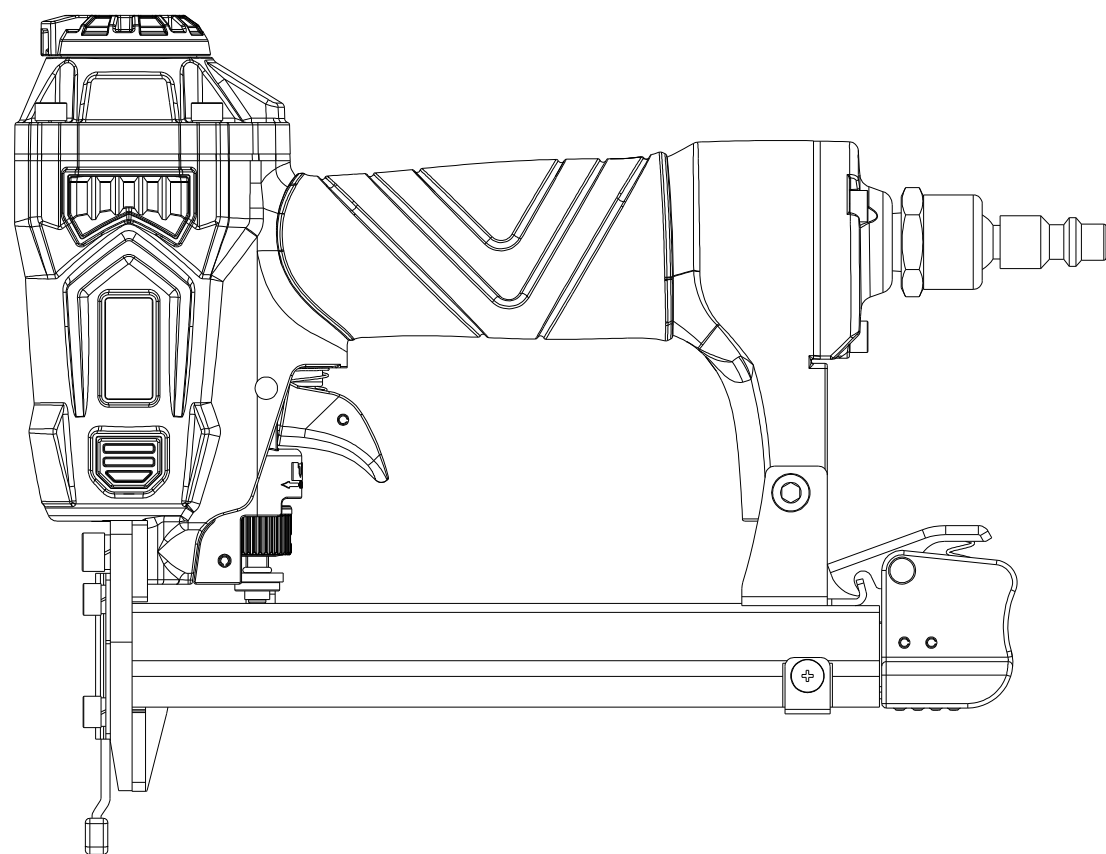


Tableau des matières

Tableau des matières	17
Consignes de sécurité	18
Symboles	18
Sécurité zone de travail	18
Sécurité personnelle	18
Utilisation et entretien de l'outil	19
Entretien de l'outil	20
Sour d'air	20
Utilisation	20
Alimentation en air et connexions	21
Chargement de l'outil	21
Garantie	22
Déballage	22
Spécification	23
Caractéristiques	23
Utilisation	24
Réglage de l'évent	24
Chargement des attaches	24
Déchargement des attaches	24
Dégager les blocages	25
Appui antimarques	25
Régler la pression d'air	25
Réglage de la profondeur	26
Déclenchement de l'outil	26
Élément de contact avec l'ouvrage	27
Entretien	28
Antipoussières	28
Lubrification	28
Nettoyage	29
Fonctionnement par temps froid	29
Raccord recommandé	29
Dépannage	30

MERCI

Nous vous remercions d'avoir fait confiance à Husky en achetant ce cloueuse pneumatique.
Nous nous efforçons en permanence de créer des produits de qualité conçus pour perfectionner votre maison.
Vous pouvez visiter notre site en ligne pour consulter notre gamme complète de produits pour vos besoins de rénovation résidentielle.

Consignes de sécurité



AVERTISSEMENT: Pour éviter tout risque de blessure grave, ne tentez pas d'utiliser cet outil avant d'avoir lu entièrement le manuel et de l'avoir compris. Conservez ce manuel et consultez-le fréquemment pour une utilisation sécuritaire par toute personne qui utilise cet outil.



AVERTISSEMENT: Lors de l'utilisation des outils, il est toujours essentiel de suivre les mesures de sécurité de base, y compris celles qui suivent:

SYMBOLES



Manuel de l'opérateur Read: Pour réduire les risques de blessures, l'utilisateur doit lire et comprendre le manuel d'utilisation avant d'utiliser ce produit.



Risque pour l'ouïe: Toujours porter des protections auditives lors de l'utilisation de cette tool. L'absence de protection peut entraîner la perte d'audition.



Protection des yeux: Portez toujours des lunettes de sécurité, des lunettes de sécurité avec écrans latéraux ou un écran facial complet pour faire fonctionner ce produit.



Risque de blessures graves: Ne pas mettre les mains ou toute autre partie du corps dans la zone de décharge de fixation de la cloueuse. L'outil peut éjecter un projectile et peut entraîner la mort ou des blessures graves.

SÉCURITÉ ZONE DE TRAVAIL

1. Garder la zone de travail propre et bien éclairée. Des établis encombrés et des endroits sombres présentent des risques d'accidents.
2. N'utilisez pas l'outil en présence de vapeurs explosives (comme celles dégagées par des liquides, des gaz ou des poussières inflammables). Les étincelles générées par l'outil peuvent enflammer les liquides, les gaz ou les poussières inflammables.
3. Éloignez les curieux, les enfants et les visiteurs de la zone de travail lorsqu'on utilise l'outil. Une distraction peut entraîner une utilisation inappropriée et causer des blessures.
4. Évitez les déclenchements accidentels. Afin d'éviter le déclenchement accidentel, soyez toujours prudent. Ne pointez jamais l'outil vers vous ou vers d'autres personnes, qu'il contienne ou non des attaches.

SÉCURITÉ PERSONNELLE



AVERTISSEMENT: Instructions relatives au risque d'incendie, à l'électrocution ou au risque de blessures.



AVERTISSEMENT: Cet outil ou son cordon d'alimentation peut contenir des produits chimiques reconnus par l'État de Californie comme causant des cancers et des malformations congénitales ou comme étant nocifs au système reproducteur. Se laver les mains après la manipulation.

1. N'enfoncez pas un clou par-dessus un autre clou. Le clou pourrait dévier et heurter quelqu'un ou provoquer un mouvement brusque de l'outil, ce qui peut entraîner des risques de blessure.
2. Retirez votre doigt de la gâchette lorsque vous n'êtes pas en train d'enfoncer une fixation. Ne transportez jamais l'outil en gardant votre doigt sur la gâchette; l'outil pourrait projeter une fixation.
3. Portez toujours des lunettes de sécurité. L'opérateur et les autres personnes se trouvant dans la zone de travail doivent toujours porter des lunettes de sécurité avec des écrans de protection latéraux conformes aux stipulations de l'ANSI. Les lunettes de protection assurent une protection contre les attaches et les débris pouvant causer des blessures graves aux yeux.
4. Portez toujours des protecteurs auriculaires lorsque vous utilisez l'outil. Une exposition prolongée à des bruits de grande intensité risque de causer une perte auditive.
5. Portez un équipement de protection. Il faut utiliser un masque antipoussières, des chaussures de sécurité à semelle antidérapante et un casque, en fonction des conditions de travail. Portez un masque complet si vous produisez de la limaille ou des copeaux de bois.
6. Portez des vêtements appropriés. Évitez de porter des vêtements amples ou des bijoux. Attachez les cheveux longs. Gardez les cheveux, les vêtements et les gants à l'écart des pièces mobiles. Les vêtements amples, bijoux ou cheveux longs pourraient se prendre dans les pièces mobiles.
7. Demeurez vigilant, faites attention à ce que vous faites et faites preuve de jugement lorsque vous utilisez un outil électrique. N'utilisez pas l'outil si vous êtes fatigué ou lorsque vous avez pris de la drogue, de l'alcool ou des médicaments. De graves blessures peuvent résulter d'un moment d'inattention lors de l'utilisation de l'outil.

Consignes de sécurité (Continué)

SÉCURITÉ PERSONNELLE(CONTINUÉ)

8. Évitez les déclenchements accidentels. Éloignez les doigts de la détente lorsque vous ne clouez pas, particulièrement lorsque vous connectez l'outil à la source d'alimentation en air.
9. Gardez les pieds au sol et conservez votre équilibre en tout temps. La stabilité et un bon équilibre permettent de mieux contrôler l'outil dans des situations inattendues.
10. N'utilisez pas l'outil sur une échelle ou sur une surface instable. La stabilité sur une surface solide permet de mieux contrôler l'outil dans des situations inattendues.
11. Assurez-vous que le tuyau n'est pas obstrué ou partiellement bouché. Des tuyaux emmêlés ou enchevêtrés risquent de vous faire perdre l'équilibre ou tomber, d'endommager l'outil et de causer des blessures.
12. Ne tendez pas trop les bras. Gardez les pieds au sol et conservez votre équilibre en tout temps. La stabilité et un bon équilibre permettent de mieux contrôler l'outil dans des situations inattendues.
13. N'attachez pas le tuyau ou l'outil à votre corps. Attachez le tuyau à la structure pour réduire le risque de perte d'équilibre si le tuyau bougeait.
14. Ne pointez jamais l'outil vers vous ou vers d'autres personnes, qu'il contienne ou non des attaches.
15. Lavez vos mains après avoir manipulé l'outil. Cet outil ou son cordon d'alimentation peut contenir des produits chimiques reconnus par l'État de Californie comme causant des cancers et des malformations congénitales ou comme étant nocifs au système reproducteur.

UTILISATION ET ENTRETIEN DE L'OUTIL



AVERTISSEMENT: Débranchez l'outil de la source d'air avant de procéder au réglage, à l'entretien ou au déblocage de l'outil, ainsi qu'avant de toucher au mandrin de sécurité, de quitter l'aire de travail ou de décharger l'outil. Ces précautions réduisent les risques de blessure.

1. Apprenez à connaître cet outil. Lisez attentivement le manuel, familiarisez-vous avec les applications et les limites, ainsi qu'avec les risques potentiels liés à cet outil.
2. N'utilisez que les attaches recommandées pour votre modèle. Chargez correctement les attaches et n'utilisez pas d'attaches inappropriées.
3. N'utilisez que les accessoires recommandés par le fabricant pour ce modèle d'outil. L'utilisation de pièces non autorisées et le non-respect des instructions pour l'entretien peuvent entraîner des risques de blessures.

4. N'utilisez que les fixations recommandées pour cet outil. L'utilisation de fixations qui ne sont pas recommandées par le fabricant de l'outil peut entraîner des risques de blessure ou de dommages.
5. Vérifiez l'alignement et l'absence de jeu des pièces mobiles, le degré d'usure des pièces ainsi que tout autre facteur susceptible de nuire au bon fonctionnement de l'outil. S'il est endommagé, faites réparer l'outil avant de l'utiliser. Des outils mal entretenus sont la cause de nombreux accidents.
6. Prenez soin de vos outils. Gardez vos outils propres. Un outil bien entretenu réduit le risque de blocage et est plus facile à contrôler.
7. Rangez l'outil hors de la portée des enfants et de toute autre personne qui n'en connaît pas le fonctionnement. Les outils sont dangereux dans des mains inexpérimentées.
8. Vérifiez le fonctionnement de l'outil avant de l'utiliser. N'utilisez pas l'outil si le mécanisme de contact ne fonctionne pas. Cela pourrait causer l'éjection accidentelle d'une attache.
9. N'utilisez pas l'outil si la détente ne fonctionne pas. Tout outil dont la détente ne fonctionne pas est dangereux et doit être réparé.
10. Ne forcez pas l'outil. Utilisez le bon outil pour votre application. L'outil approprié fera mieux le travail et de façon plus sécuritaire à la vitesse pour laquelle il a été conçu.
11. Utilisez des pinces ou un autre moyen pratique de tenir en place et de supporter l'ouvrage sur une plateforme stable. Maintenir l'outil avec votre main ou contre votre corps est instable et risque de causer la perte de contrôle de l'outil.
12. Assurez-vous que les poignées sont sèches, propres et exemptes d'huile et de graisse. Utilisez toujours un chiffon propre pour le nettoyage. N'utilisez pas de liquide de frein, d'essence, de produits à base de pétrole ou tout autre diluant puissant pour nettoyer votre outil.
13. N'utilisez pas l'outil comme un marteau.
14. N'utilisez jamais cet outil lorsqu'une attache est dirigée vers autre chose qu'une pièce à travailler.
15. N'utilisez jamais d'essence ou d'autres liquides inflammables pour nettoyer l'outil. N'utilisez jamais l'outil en présence de liquides ou de gaz inflammables. Une étincelle pourrait enflammer la vapeur, ce qui risquerait de causer une explosion qui pourrait se solder par mort d'homme ou des blessures graves.
16. Il ne faut pas retirer, altérer, ou autrement rendre inutilisables le bouton de verrouillage de la détente ou la détente. N'utilisez pas un outil qui a été modifié de quelque façon que ce soit. Cela pourrait se solder par mort d'homme ou des blessures graves.

Consignes de sécurité (Continué)

UTILISATION ET ENTRETIEN DE L'OUTIL (CONTINUÉ)

17. Ne touchez la détente que lorsque vous enfoncez des attaches. Ne fixez pas le tuyau d'air comprimé à l'outil et ne transportez jamais l'outil avec votre doigt sur la détente. L'outil pourrait éjecter une attache, ce qui pourrait se solder par mort d'homme ou des blessures graves. Actionnez également le bouton de verrouillage lorsque vous n'utilisez pas l'outil.
18. Attachez toujours à l'outil un raccord de façon à ce que tout l'air comprimé soit retiré de l'outil lorsque le joint d'accouplement est déconnecté. N'utilisez pas de clapet de non-retour ou tout autre tuyau qui permet à l'air de demeurer dans l'outil. Cela pourrait se solder par mort d'homme ou des blessures graves.
19. Ne placez jamais vos mains ou toute autre partie du corps dans la zone d'éjection des attaches de l'outil. L'outil pourrait éjecter une attaché, ce qui pourrait se solder par mort d'homme ou des blessures graves.
20. Ne transportez jamais l'outil en le tenant par le tuyau d'air. Ne tirez jamais sur le tuyau pour déplacer l'outil ou un compresseur. Gardez les tuyaux éloignés des sources de chaleur, de l'huile et des bords coupants. Remplacez tout tuyau endommagé, fragile ou usé. Cela pourrait causer des dommages à l'outil ou des blessures.
21. Assumez toujours que l'outil contient des attaches. Votre outil est un instrument de travail, pas un jouet.
22. Gardez toujours les autres à une distance sécuritaire de la zone de travail en cas d'éjection accidentelle d'attaches.
23. Ne pointez jamais l'outil vers vous ou vers d'autres personnes, qu'il contienne ou non des attaches. Le déclenchement accidentel de l'outil pourrait se solder par mort d'homme ou des blessures graves.
24. Ne laissez pas tomber l'outil et ne le lancez pas. Faire tomber ou lancer l'outil pourrait l'endommager et le rendre inutilisable ou non sécuritaire. Si l'outil est tombé ou a été lancé, vérifiez qu'il ne présente aucune pièce pliée, fissurée ou brisée et qu'il n'y a pas de fuite d'air. Cessez d'utiliser l'outil et faites-le réparer afin d'éviter les blessures graves.
25. Évitez d'utiliser l'outil lorsque le magasin est vide. Cela entraîne l'usure accélérée de l'outil. Nettoyez et vérifiez tous les tuyaux d'air et raccords avant de connecter l'outil à une source d'alimentation en air. Remplacez tout tuyau ou raccord endommagé ou usé.
26. Négliger de le faire pourrait contribuer à réduire la performance ou la durabilité de l'outil.
27. N'utilisez pas l'outil s'il a une fuite d'air ou s'il ne fonctionne pas correctement.
28. N'utilisez pas l'outil si aucune étiquette d'avertissement lisible n'y est apposée. Ne portez jamais l'outil par les tuyaux d'air.

ENTRETIEN DE L'OUTIL

1. N'utilisez que des accessoires recommandés par le fabricant pour votre modèle d'outil.
2. L'utilisation de pièces non autorisées ou le non-respect des instructions d'entretien pourrait causer un risque de blessure.
3. N'utilisez que les lubrifiants fournis avec l'outil ou précisés par le fabricant.
4. L'outil ne doit être réparé que par du personnel qualifié.

SOUR D'AIR

1. Ne raccordez jamais cet article à une source d'alimentation en air dont la pression peut excéder 13,79 bar. Une surpression de l'outil est capable de conduire à l'éclatement, un fonctionnement anormal, la rupture de l'outil ou des blessures graves aux personnes. Utilisez uniquement propre, sec, l'air comprimé réglé à la pression nominale ou au sein de la plage de pression nominale indiquée sur l'outil. Toujours vérifier avant d'utiliser l'outil que la source d'air a été ajustée à la pression d'air nominal ou dans la plage nominale de pression d'air.
2. N'utilisez jamais d'oxygène, de dioxyde de carbone, de gaz combustible ni tout autre gaz embouteillé comme source d'air pour l'outil. Ces gaz sont susceptibles de provoquer une explosion pouvant causer des blessures graves.

UTILISATION

1. N'enfoncez pas d'attaches près du bord de la pièce. La pièce risque de se fendre, de faire ricocher l'attache et de blesser l'opérateur ou une autre personne.
2. Ne déplacez pas l'outil avec le doigt sur la détente. Cela pourrait causer un déclenchement accidentel. Le choix de la méthode de déclenchement est important. Consultez le manuel pour connaître les différentes méthodes de déclenchement.
3. Dans le cadre d'une utilisation normale, l'outil aura du recul immédiatement après avoir enfoncé une attache. C'est une fonction normale de l'outil. Ne tentez pas d'empêcher le recul en retenant l'outil contre l'ouvrage. La restriction du recul pourrait causer l'éjection d'une seconde attache. Tenez fermement la poignée et laissez l'outil faire le travail. Ne pas tenir compte de cette mise en garde pourrait entraîner des blessures graves.

Consignes de sécurité (Continué)

UTILISATION (CONTINUÉ)

4. N'enfoncez pas d'attaches sur d'autres attaches ou avec l'outil à un angle trop aigu. Ceci pourrait causer le ricochet des attaches et provoquer des blessures.
5. N'actionnez pas l'outil à moins de vouloir enfoncer une attache dans la pièce.
6. Utilisez toujours l'outil avec précaution :
 - Respectez votre outil en tant qu'instrument de travail.
 - Évitez de jouer avec.
 - N'appuyez jamais sur la détente à moins que l'embout ne soit dirigé vers l'ouvrage.
 - Gardez les autres à une distance sécuritaire de l'outil lorsque vous l'utilisez. Une activation accidentelle pourrait se produire et entraîner des blessures.

ALIMENTATION EN AIR ET CONNEXIONS

1. Le connecteur de l'outil ne doit pas retenir la pression lorsque l'alimentation en air est déconnectée. Si un mauvais raccord est utilisé, l'outil pourrait demeurer chargé d'air après avoir été débranché et être en mesure d'enfoncer une attache même après le débranchement du tuyau d'air, pouvant ainsi entraîner des blessures.
2. N'utilisez pas d'oxygène, de gaz combustibles ni d'autres gaz embouteillés comme source d'alimentation pour cet outil. Une explosion pourrait se produire et causer des blessures ou même la mort.
3. Utilisez uniquement une source d'air comprimé à régulation de pression afin de limiter la pression de l'air acheminé à l'outil. La pression régulée ne doit pas excéder 6,89 bar. Si le régulateur ne fonctionne pas, la pression de l'air acheminé à l'outil ne doit pas excéder 13,79 bar.
4. Déconnectez toujours la source d'alimentation en air :
 - Avant de procéder au déchargement ou de faire des ajustements.
 - Lorsque vous entretenez l'outil.
 - Lorsque vous libérez des attaches coincées.
 - Lorsque vous touchez le palpeur de sécurité.
 - Lorsque l'outil n'est pas utilisé.
 - Lorsque vous transportez l'outil d'une aire de travail à une autre.Ces précautions permettent de réduire les risques de blessure.

CHARGEMENT DE L'OUTIL

1. Ne chargez pas d'attaches dans l'outil lorsque l'une des commandes est activée.
2. Ne placez jamais vos mains ou toute autre partie du corps dans la zone d'éjection des attaches de l'outil.
3. Ne pointez jamais l'outil vers quiconque.
4. N'appuyez pas sur la détente ni sur la pièce à travailler puisque cela pourrait causer une activation accidentelle et causer des blessures.



AVERTISSEMENT: Les mises en garde et les précautions dont il est question précédemment dans ce manuel ne couvrent pas toutes les conditions et les situations possibles. L'utilisateur doit comprendre qu'il est impératif de faire preuve de jugement et de prudence.

Garantie

GARANTIE LIMITÉE DE DEUX ANS SUR LES JEU DE CLOUEUSE PNEUMATIQUE DE HUSKY

Cette garantie couvre tous les défauts de fabrication ou de matériaux qui pourraient affecter ce jeu de cloueuse pneumatique de HUSKY pendant une période de deux ans à partir de la date d'achat. La présente garantie vise uniquement ce modèle de jeu de cloueuse pneumatique. Les garanties couvrant d'autres produits HUSKY peuvent être différentes.

Cette garantie ne s'applique qu'à l'acheteur original et n'est pas transférable. La présente garantie ne couvre pas l'usure normale ni les cas de mauvais fonctionnement, les pannes ou les défauts résultant d'une mauvaise utilisation, d'un usage abusif, d'une négligence, d'une altération, d'une modification ou d'une réparation effectuée par une personne ou un centre autre qu'un centre de service autorisé à réparer les cloueuse pneumatique de la marque HUSKY. Les consommables tels que les joints toriques, tampon, d'entraînement, les joints, etc., ne sont pas couverts par la présente garantie. Cette garantie ne couvre pas ce jeu de cloueuse pneumatique s'il est utilisé dans des applications industrielles ou loué. HUSKY n'offre aucune garantie, déclaration ou promesse quant à la qualité ou au rendement de ses jeu de cloueuse pneumatique autre que celles spécifiquement stipulées dans la présente garantie.

AUTRES RESTRICTIONS

Dans les limites de la loi applicable, toutes les garanties implicites, y compris les garanties de qualité marchande ou d'adaptation à un usage particulier, sont expressément désavouées. Toutes les garanties implicites, y compris les garanties de qualité marchande ou d'adaptation à un usage particulier, qui ne peuvent faire partie d'une clause d'exonération en vertu de la loi d'un état sont limitées à deux ans à partir de la date d'achat. HUSKY n'assume aucune responsabilité quant aux dommages directs, indirects, accessoires, particuliers ou consécutifs. Si ce jeu de cloueuse pneumatique est utilisé à des fins commerciales, la garantie est limitée à quatre-vingt dix (90) jours à compter de la date d'achat. Certains États ou provinces ne permettent pas la restriction de la durée d'une garantie implicite et l'exclusion ou la restriction des dommages accessoires ou consécutifs, par conséquent les restrictions et exclusions citées ci-dessus peuvent ne pas s'appliquer à votre cas. En vertu de la présente garantie, vous bénéficiez de droits juridiques particuliers; toutefois, d'autres droits peuvent également s'appliquer, selon l'État où vous résidez.

Déballage

1. Cet outil a été expédié entièrement assemblé.
2. Retirez soigneusement l'outil et les accessoires de la boîte.
3. Inspectez attentivement l'outil pour vous assurer qu'aucun bris ou dommage n'est survenu pendant l'expédition.
4. Ne jetez pas l'emballage tant que vous n'avez pas inspecté attentivement l'outil et que vous ne l'avez pas utilisé de façon satisfaisante.
5. En cas de pièces manquantes ou endommagées, veuillez composer le: 1-888-HD-HUSKY.



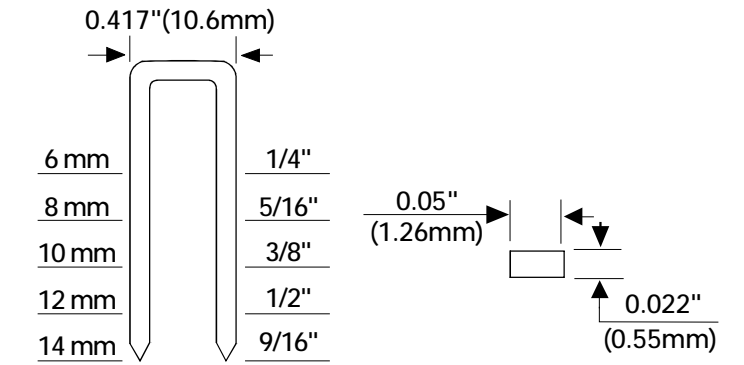
AVERTISSEMENT: En ca de pièces manquantes, n'utilisez pas l'outil avant de les avoir remplacées. Tout manquement peut entraîner des blessures graves.



AVERTISSEMENT: Ne tentez pas de modifier cet outil ou de créer des accessoires dont l'utilisation n'est pas recommandée avec cet outil. Toute altération ou modification est considérée comme une utilisation abusive et risque de créer une situation dangereuse pouvant entraîner des blessures graves.

Spécification

- Consommation d'air : 0,96 SCFM avec 100 attaches par minute à 5,52 bar
- Admission d'air : 6,3 mm (1/4 po) NPT
- Capacité du magasin : 100 attaches
- Poids : 0,93 kg
- Pression maximale : 6,89 Bar
- Plage de pression : 4,14 Bar - 6,89 Bar
- Taille de la broche : 6mm (1/4 po) à 14 mm (9/16 po)



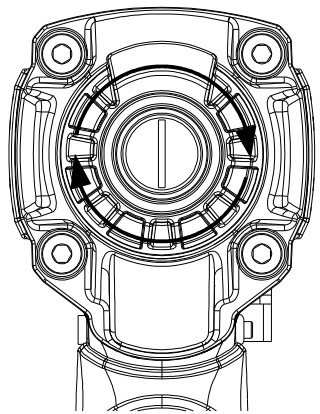
Compatible avec fin fil les agrafes de calibre 20.

Caractéristiques

- Événement réglable à 360°
Permet à l'utilisateur de diriger l'air d'échappement loin des visage.
- Poignée à prise confortable
Pour plus de confort et de contrôle.
- Conception ergonomique
Un outil robuste, confortable et léger, idéal pour une utilisation prolongée.
- Contact de sécurité anti marque
Élimine les dommages causés aux surfaces de travail.
- Profondeur réglable
La profondeur est facile à ajuster aux différentes applications.

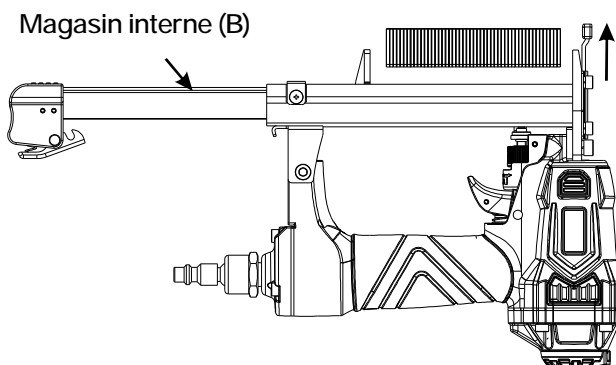
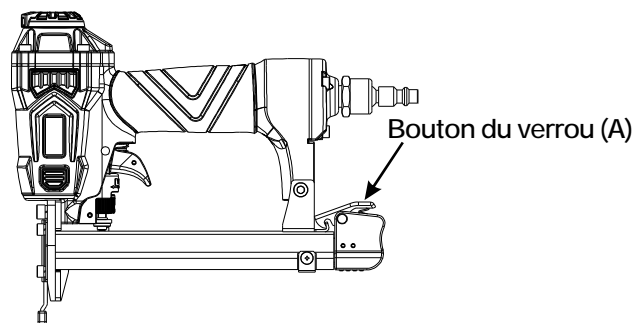
1 Réglage de l'évent

L'évent réglable sur le couvercle de l'outil permet de diriger l'évent au besoin. Pour ajuster la direction, tournez le couvercle de l'évent dans la direction désirée.



2 Chargement des attaches

- Raccordez l'outil à la source d'alimentation en air.
- Appuyez sur le bouton du verrou (A). Tirez le magasin interne(B) vers l'arrière.
- Attaches lieu dans la même direction du nez cloueuse. **CLOUS INSÉRER DANS L'OUTIL À PARTIR DU BAS.**
- Poussez le magasin interne (B) vers l'avant jusqu'à ce que le bouton du verrou se soulève.



AVERTISSEMENT: L'outil peut se déclencher lorsqu'il est connecté à la source d'alimentation en air. Connectez toujours l'outil à la source d'alimentation en air avant de charger les attaches afin d'éviter les blessures pouvant être causées par un cycle involontaire. Assurez-vous toujours que le magasin de l'outil est vide au début de chaque séance de travail et avant de le connecter à la source d'alimentation en air.

AVERTISSEMENT: Ne pointez pas l'outil vers vous ou vers d'autres personnes lorsque vous chargez les attaches. Tout manquement peut entraîner des blessures graves.

AVERTISSEMENT: N'utilisez que les attaches recommandées pour cet outil. L'utilisation d'autres attaches pourrait causer un mauvais fonctionnement de l'outil et entraîner des blessures graves.

AVERTISSEMENT: Ne chargez jamais les attaches lorsque le contact ou la détente est activé. Cela pourrait entraîner de graves blessures.

3 Déchargement des attaches

Le déchargement s'effectue à l'inverse du chargement, à l'exception du fait qu'il faut déconnecter la source d'alimentation en air avant de décharger.

AVERTISSEMENT: Déchargez toujours toutes les attaches avant de le ranger.

AVERTISSEMENT: Déconnectez toujours la source d'alimentation en air avant le déchargement.

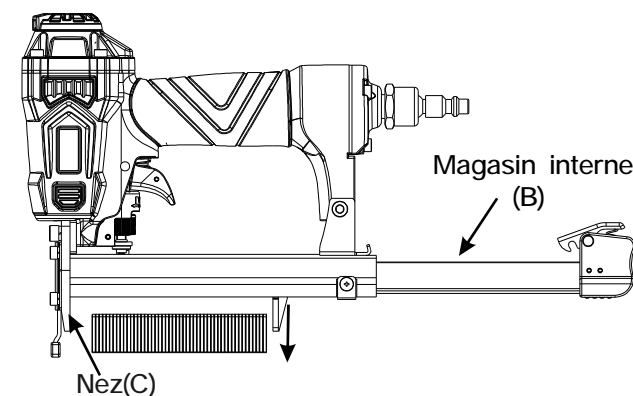
4 Dégager les blocages

Parfois, une attache se coince dans le mécanisme de déclenchement de l'outil, rendant celui-ci inutilisable. Pour retirer une attache coincée, suivez les étapes ci-dessous :

- Déconnectez l'outil de la source d'alimentation en air.
- Retirez les attaches de l'outil. Négliger de le faire causera l'éjection d'attaches par l'avant de l'outil.
- Tirez le magasin interne (B), et retirez la fixation coincé dans le nez (C).
- Reconnectez l'outil à la source d'alimentation en air.
- Remettez les attaches dans l'outil.

AVERTISSEMENT: Déconnectez l'outil de la source d'alimentation en air chaque fois que vous décoincez une attache. Après avoir déconnecté l'outil du compresseur, l'outil devrait encore contenir suffisamment d'air pour le déclencher. Après avoir déconnecté le tuyau d'air, déclenchez toujours plusieurs fois l'outil dans un morceau de bois afin de vous assurer que tout l'air comprimé est expulsé.

AVERTISSEMENT: Assurez-vous que le magasin est vide avant de décoincer une atache.



5 Appui antimarques

L'appui antimarques fixé à l'embout de l'outil contribue à prévenir les marques et les bosses lorsque vous travaillez des bois moins durs.

AVERTISSEMENT: Déconnectez l'outil de la source d'alimentation en air avant de retirer ou de replacer l'appui antimarques. Tout manquement pourrait entraîner des blessures graves.

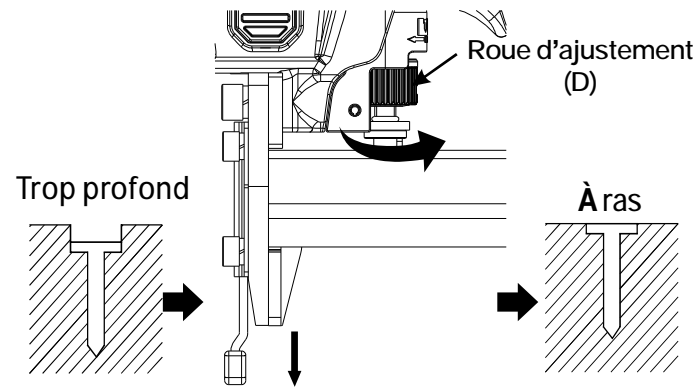
6 Régler la pression d'air

- La quantité de pression d'air nécessaire dépend de la taille des attaches et du matériau de la pièce.
- Testez la profondeur de l'attache éjectée en enfonçant un clou dans le même type de matériau que celui utilisé pour le travail.
- Enfoncez une attache avec la pression réglée entre 6,21 bar et 6,55 bar. Par la suite, il suffit d'augmenter ou de réduire la pression d'air pour trouver le réglage le plus faible qui permettra d'obtenir des résultats constants.
- Il est possible d'obtenir la profondeur voulue en n'effectuant que des ajustements de la pression d'air.

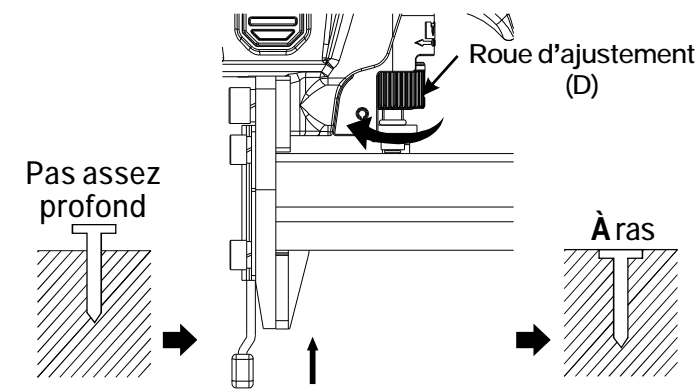
7 Réglage de la profondeur

La profondeur de clouage des attaches peut être ajustée. Pour régler la profondeur, utilisez le bouton de réglage de roue d'ajustement (D) situé du côté droit de l'outil.

- Déconnectez l'outil de la source d'alimentation en air.
- Tournez le bouton de réglage vers la gauche ou la droite pour modifier la profondeur de clouage.
- Reconnectez l'outil à la source d'alimentation en air.
- Éjectez un clou après chaque réglage jusqu'à l'obtention de la profondeur voulue.



Tournez le bouton de réglage de la ajustement dans le sens contraire des aiguilles d'une montre.



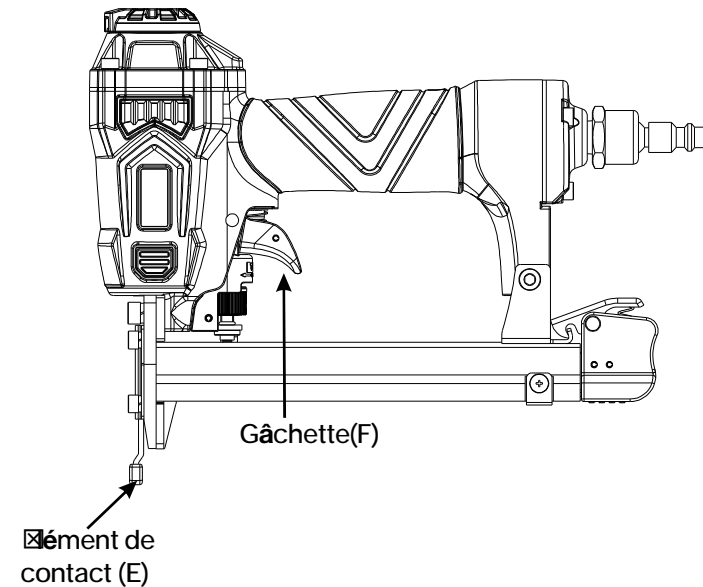
Tournez le bouton de réglage de la ajustement dans le sens des aiguilles d'une montre.



ATTENTION: Il est recommandé de tester la profondeur de clouage sur une pièce inutilisée afin de déterminer la profondeur requise pour l'application. Pour déterminer la profondeur de clouage, réglez d'abord la pression d'air, puis éjectez une attache. Ne dépassez jamais 6,89 bar.

8 Déclenchement de l'outil

- Ce mode exige d'appuyer sur la détente chaque fois pour éjecter une attache. L'outil peut être activé en appuyant l'élément de contact (E) contre la surface de travail avant d'appuyer sur la gâchette (F).
- La gâchette doit être relâchée pour réenclencher l'outil avant de pouvoir éjecter une autre attache.



AVERTISSEMENT: Apprenez toujours le fonctionnement d'un outil avant de l'utiliser. Ne pas connaître son fonctionnement pourrait entraîner mort d'homme ou des blessures graves.



AVERTISSEMENT: Tout outil défectueux ne doit pas être utilisé. N'actionnez pas l'outil avant de l'avoir fermement appuyé contre la surface de travail.

9 Élément de contact avec l'ouvrage

- Déconnectez l'outil de la source d'alimentation en air.
- Retirez toutes les attaches du magasin.
- Assurez-vous que la détente et l'élément de contact avec l'ouvrage se déplacent librement sans se coincer.
- Reconnectez l'outil à la source d'alimentation en air.
- Appuyez l'élément de contact contre la surface de travail sans appuyer sur la détente. L'outil ne doit pas fonctionner. N'utilisez pas l'outil s'il fonctionne sans appuyer sur la détente. Des blessures pourraient en résulter.
- Retirez l'outil de la surface de travail. L'élément de contact avec l'ouvrage doit revenir à sa position originale. L'outil ne doit pas fonctionner. N'utilisez pas l'outil s'il fonctionne sans être appuyé sur la surface de travail. Des blessures pourraient en résulter.
- Appuyez sur la détente et appuyez l'élément de contact contre la surface de travail. L'outil ne doit pas fonctionner.
- Appuyez l'élément de contact contre la surface de travail. Appuyez sur la détente. L'outil doit fonctionner.



ATTENTION: Vérifiez le fonctionnement du mécanisme de déclenchement de l'élément de contact avant chaque utilisation. L'élément de contact doit se déplacer librement sans se coincer. L'élément de contact doit le ramener à sa position allongée. N'utilisez pas l'outil si le mécanisme de déclenchement de l'élément de contact ne fonctionne pas. Des blessures pourraient en résulter.

Entretien



AVERTISSEMENT: Chaque fois qu'une inspection, qu'un entretien ou qu'un nettoyage est effectué :

- Déconnectez l'outil de la source d'alimentation en air.
- Videz complètement le magasin.

ANTIPOUSSIÈRES

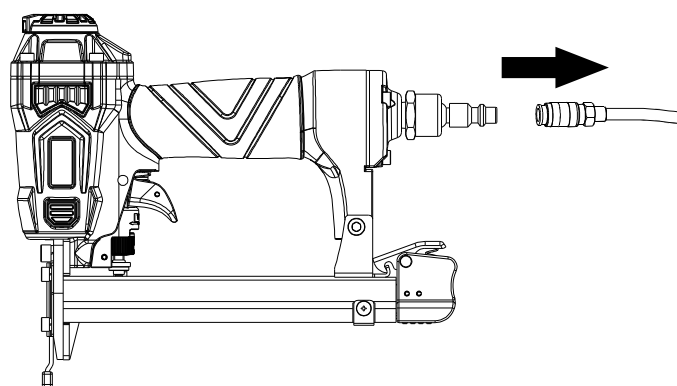
Chaque outil est doté d'un couvercle antipoussières sur le connecteur à air.

Placez le couvercle antipoussières sur le connecteur à air lorsque vous n'utilisez pas l'outil.

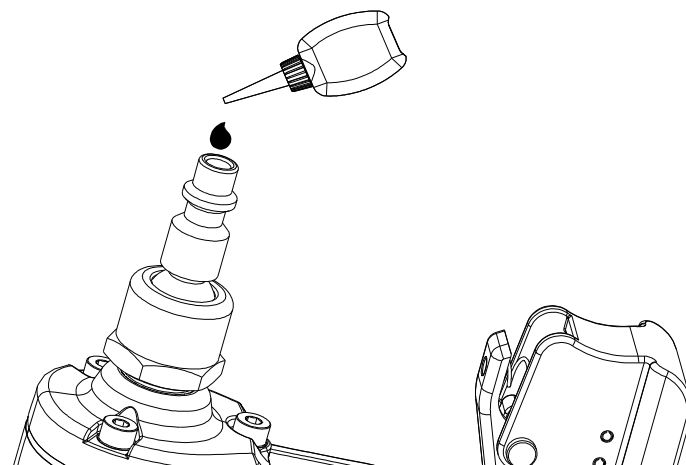
LUBRIFICATION

Après une longue période d'utilisation, une lubrification est toutefois nécessaire pour une meilleure performance. L'huile pour les cloueuses pneumatiques doit être ajoutée par la connexion du tuyau d'air et lubrifiera les pièces internes. N'utilisez pas d'huile détergente ou d'additifs puisque ces lubrifiants causeront une usure accélérée des garnitures d'étanchéité et des tampons à l'intérieur de l'outil, ce qui entraînera un mauvais fonctionnement de l'outil et des réparations plus fréquentes.

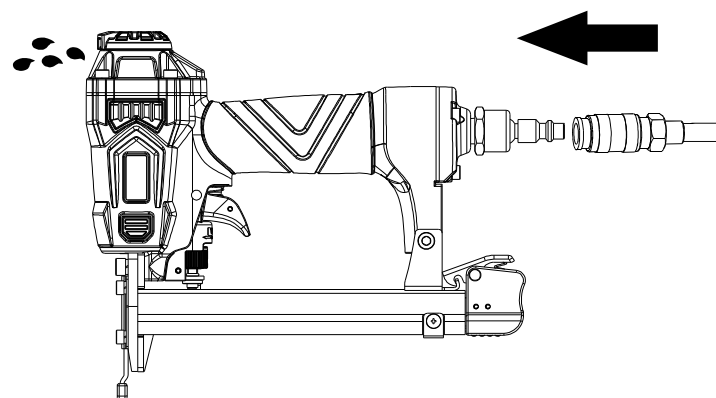
- Débranchez l'alimentation en air de l'outil afin d'appliquer du lubrifiant.



- Tournez l'outil de façon à ce que l'entrée d'air soit orientée vers le haut. Appliquez 2 ou 3 gouttes d'huile pour outil de fixation pneumatique dans l'entrée d'air. N'utilisez pas d'huile détersive, d'additif pour essence ou d'huile à outil pneumatique. N'ajoutez pas d'huile détergente ni d'autres additifs : ces lubrifiants accéléreraient l'usure des joints et des butoirs de l'outil, ce qui nuirait à son rendement et augmenterait la fréquence des entretiens.



- Après avoir ajouté l'huile, raccordez l'outil à la source d'air et mettez brièvement l'outil en marche. Essuyez tout excédent d'huile de la sortie d'air du couvercle.



ATTENTION: Lubrifiez l'outil qu'avec les lubrifiants précisés.



ATTENTION: Le liquide de freins, l'essence, les produits à base de pétrole, les huiles de pénétration et autres ne peuvent en aucun cas entrer en contact avec les pièces de plastique. Les produits chimiques peuvent endommager, affaiblir ou détruire le plastique et ainsi causer des blessures graves.

Entretien(Continué)

NETTOYAGE

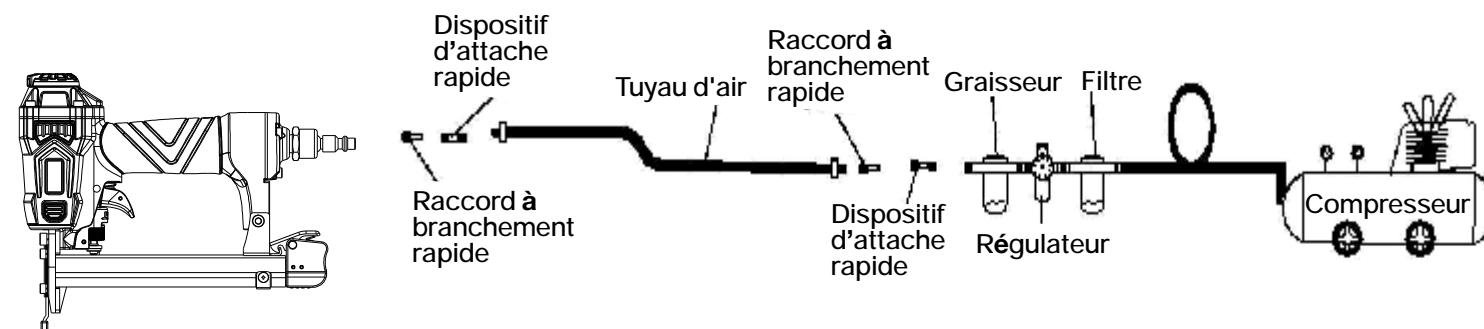
Évitez d'utiliser des solvants pour nettoyer les pièces de plastique. La plupart des plastiques risquent d'être endommagés par l'emploi des différents types de solvants commerciaux. Utilisez un chiffon propre pour retirer la saleté, la poussière, l'huile, la graisse, etc.



AVERTISSEMENT: Le liquide de freins, l'essence, les produits à base de pétrole, les huiles de pénétration et autres ne peuvent en aucun cas entrer en contact avec les pièces de plastique. Les produits chimiques peuvent endommager, affaiblir ou détruire le plastique et ainsi causer des blessures graves.

Raccord recommandé

- Le compresseur doit être en mesure de maintenir une pression minimale de 4,14 bar lorsque l'outil est utilisé. Une mauvaise alimentation en air pourrait causer une perte de puissance et un déclenchement irrégulier.
- Un réservoir d'huile peut être utilisé pour permettre la circulation d'huile dans l'outil. Un filtre peut être utilisé pour retirer les impuretés liquides et solides susceptibles de corroder ou d'encrasser les pièces internes de l'outil.
- Utilisez toujours des tuyaux d'alimentation en air avec une pression d'air minimale équivalente ou supérieure à la pression de la source d'alimentation afin d'éviter une défaillance du régulateur. Ou 10,34 bar, lequel est plus élevé. Utilisez un tuyau d'air de 9,53 mm (3/8 po) pouvant aller jusqu'à 15,24 m (50 pi), et utilisez 9,53 mm (3/8 po) raccord rapide sur le tuyau d'air.
- Utilisez un régulateur de pression sur le compresseur d'une pression de fonctionnement de 0 kPa à 8,62 bar. Un régulateur de pression est nécessaire pour contrôler la pression de fonctionnement de l'outil entre 4,14 bar et 6,89 bar.



FONCTIONNEMENT PAR TEMPS FROID

Par gel ou température proche du gel, l'humidité dans le tuyau d'air peut geler et nuire au fonctionnement de l'outil. Nous recommandons d'utiliser un lubrifiant ou un antigel permanent (éthylèneglycol) pour outil pneumatique en guise de lubrifiant par temps froid.



ATTENTION: Ne rangez pas les outils dans un environnement froid afin d'éviter le gel ou la formation de glace sur les valves de commande et les mécanismes de l'outil, ce qui pourrait entraîner une panne.



ATTENTION: Le compresseur doit être en mesure de maintenir une pression minimale de 4,14 bar lorsque l'outil est utilisé. Une mauvaise alimentation en air pourrait causer une perte de puissance et un déclenchement irrégulier.



AVERTISSEMENT: Ne connectez pas l'outil sur un compresseur pouvant dépasser 13,79 bar. L'outil pourrait exploser, ce qui pourrait entraîner des blessures.

Dépannage



AVERTISSEMENT: Cessez immédiatement d'utiliser l'outil si l'un des problèmes suivants survient. Cela pourrait entraîner des blessures graves. Les réparations et les remplacements doivent être effectués par du personnel qualifié ou un centre de service autorisé.

Problème	Cause Possible	Mesures À Prendre
Fuite d'air au niveau de la soupape de détente.	Les joints toriques du boîtier de la soupape de détente sont endommagés.	Remplacez les joints toriques.
Fuite d'air entre le boîtier et l'embout.	<input type="checkbox"/> Vis desserrées dans le boîtier. <input type="checkbox"/> Joints toriques endommagés. <input type="checkbox"/> Tampons endommagés.	<input type="checkbox"/> Resserrez les vis. <input type="checkbox"/> Remplacez les joints toriques. <input type="checkbox"/> Remplacez le tampon.
Fuga de aire entre el armazón y la cubierta.	<input type="checkbox"/> Vis desserrées. <input type="checkbox"/> Garniture endommagés.	<input type="checkbox"/> Resserrez les vis. <input type="checkbox"/> Remplacez le Garniture.
L'outil saute des attaches.	<input type="checkbox"/> Tampon endommagé. <input type="checkbox"/> Saleté dans le nez protecteur. <input type="checkbox"/> De la saleté ou un bris empêche les attaches ou le poussoir de se déplacer librement dans le magasin. <input type="checkbox"/> Ressort du poussoir endommagé. <input type="checkbox"/> Alimentation en air inadéquate. <input type="checkbox"/> Joint torique du piston usé ou lubrification insuffisante. <input type="checkbox"/> Joints toriques de la soupape de détente endommagés. <input type="checkbox"/> Fuites d'air. <input type="checkbox"/> Fuite du capuchon d'étanchéité.	<input type="checkbox"/> Remplacez le tampon. <input type="checkbox"/> Nettoyez le canal de la lame d'entraînement. <input type="checkbox"/> Nettoyez le magasin. <input type="checkbox"/> Remplacez le ressort. <input type="checkbox"/> Vérifiez le raccord, le tuyau ou le compresseur. <input type="checkbox"/> Remplacez et lubrifiez les joints toriques. <input type="checkbox"/> Remplacez les joints toriques. <input type="checkbox"/> Resserrez les vis et les raccords. <input type="checkbox"/> Remplacez la garniture.
L'outil fonctionne au ralenti ou subit une perte de puissance.	<input type="checkbox"/> L'outil n'est pas suffisamment lubrifié. <input type="checkbox"/> Le ressort du couvercle du cylindre est brisé. <input type="checkbox"/> L'orifice d'échappement du couvercle est bloqué.	<input type="checkbox"/> Lubrifiez la cloueuse. <input type="checkbox"/> Remplacez le ressort. <input type="checkbox"/> Remplacez les pièces internes endommagées.
Des attaches sont coincées dans l'outil.	<input type="checkbox"/> Le guide de la lame d'entraînement est usé. <input type="checkbox"/> Les attaches ne sont pas de la bonne taille. <input type="checkbox"/> Les attaches sont pliées. <input type="checkbox"/> Les vis du magasin ou de l'embout sont desserrées. <input type="checkbox"/> La lame d'entraînement est endommagée.	<input type="checkbox"/> Remplacez le guide. <input type="checkbox"/> N'utilisez que les attaches recommandées. <input type="checkbox"/> Remplacez par des attaches non endommagées. <input type="checkbox"/> Resserrez les vis. <input type="checkbox"/> Remplacez la lame d'entraînement.