

## Superior Quality Shower Receptors Molded Stone

### FEATURES

#### Cascade™ Shower Receptors

Cascade shower floor shall be the type as manufactured by Fiat Products. Molding shall be done in matched metal dies, resulting in a one piece homogenous product. A permanent slip resistant surface shall also be integrally molded so that it will neither trap nor impede the flow of water.

The shoulder shall be not less than 3 1/16" high or less than 1 1/2" wide. The tilting flange shall extend not less than 1 1/2" above the shoulder and shall be not less than 1" higher than the threshold providing an integrally molded water barrier. The threshold shall be not less than 4 3/4" high (see following table).

- Available in single and double threshold and neo-corner
- One-piece with 1 1/2" water retention tiling flange
- Durable molded stone construction
- Slip resistant surface
- Integral molded drain with plastic strainer

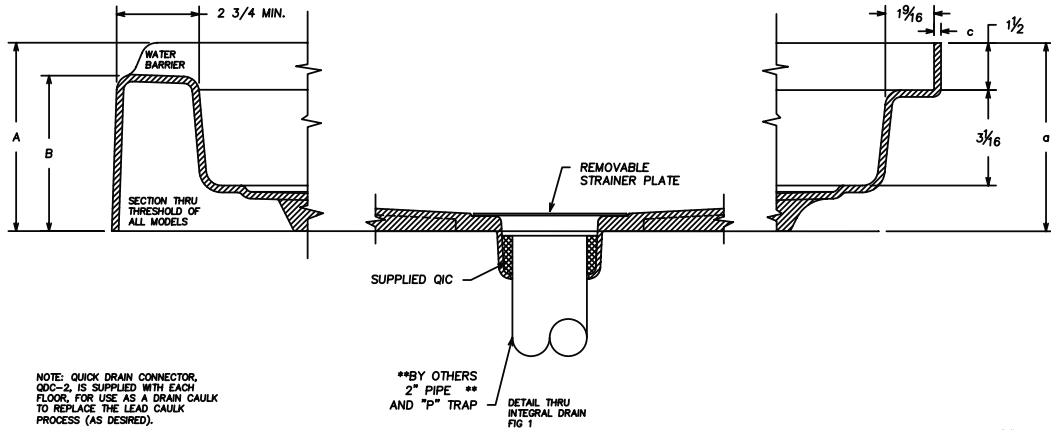
### NOTES

- Each receptor comes with a protective coating
- Matching Estate™ shower wall surrounds, C9960/U9960 (32"x 32"); C9970/U9970 (36"x 36"); C9980/U9980 (48"x36"); C9990/U9990 (36"x 36" right angle)
- Meets all requirements of ANSI Z-124.2 Standard
- FHA, IAMPO, BOCA, SBCCI listed
- Illustrated installation instructions included
- Available in White and Bone
- Five-year warranty

Model	Size
32WL	32"x32"
34WL	34"x34"
36WL	36"x36"
42WL	42"x34"
4242WL	42" x 42"
48WL	48"x34"
4832WL	48"x32"
54WL	54"x34"
60WL	60"x34"
34WLD	34"x34" Double Threshold
36WLC	36"x36" Neo-Corner
36WLD	36"x36" Double Threshold
38WLC	38"x38" Neo-Corner

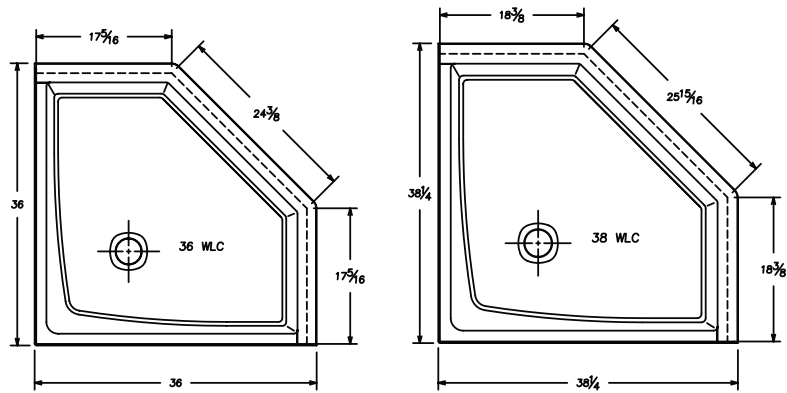
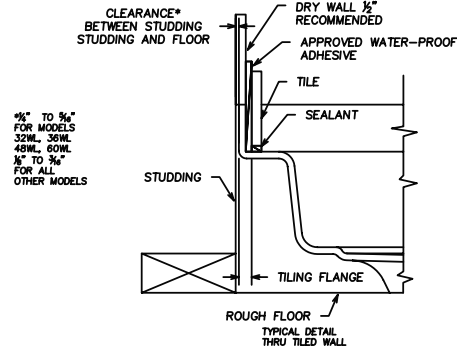
# CASCADE™ RECEPTORS

Shower Receptor



MODEL NO.	NOMINAL SIZE		ACTUAL SIZE ± 1/16		ROUGHING-IN DIMENSIONS				APPROX. SHIPPING WT. lbs.
	A	B	A	B	a	b	c	d	
32WL	32	32	32	32	32 3/8	32 3/16	16 3/16	16 1/8	29
34WL	34	34	34 1/4	34 1/4	34 5/8	34 7/16	17 5/16	17 1/4	31
36WL	36	36	36	36	36 3/8	36 3/16	18 3/16	18 1/8	34
42WL	42	34	42	34	42 3/8	34 3/16	21 3/16	17 1/8	36
4242WL	42	42	42	42	42 1/4	42 1/4	21 1/8	21 1/8	48
48WL	48	34	48	34	48 3/8	34 3/16	24 3/16	17 1/8	42
54WL	54	54	54 3/8	34 1/4	54 11/16	34 9/16	27 3/8	17 5/16	47
60WL	60	34	60	34	60 3/8	34 3/16	30 3/16	17 1/8	51
34WLD	34	34	34 1/4	34 1/4	34 7/16	34 7/16	17 1/4	17 1/4	34
36WLD	36	36	36 1/4	36 1/4	36 7/16	36 7/16	18 1/4	18 1/4	36
36WLC	36	36	36	36	36 1/4	36 1/4	12 1/4	12 1/4	39
38WLC	38	38	38 1/4	38 1/4	38 7/16	38 7/16	12 5/16	12 5/16	39
4832WL	48	32	48 3/16	32 1/8	48 1/2	32 1/4	24 1/4	16 1/8	41

MODEL NO.	TABLE (SEE FIG. 1)		
	A	B	c
32WL	6	5	7/32
34WL	6	5	5/16
36WL	5 7/8	4 3/4	7/32
42WL	6	5	7/32
48WL	5 7/8	4 3/4	7/32
54WL	6	5	5/16
60WL	6	5	7/32
34WLD	6	5	5/16
36WLD	6	5	5/16
38WLC	6	5	5/16
4832WL	6	5	5/16



WLC THRESHOLD DIMENSIONS

