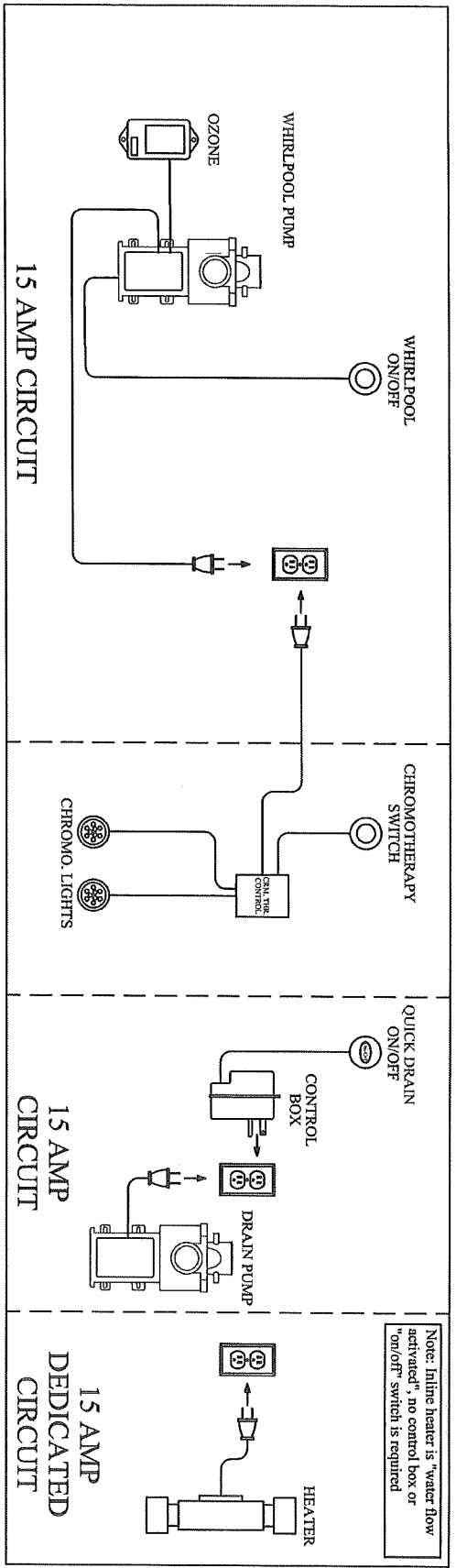


WHIRLPOOL



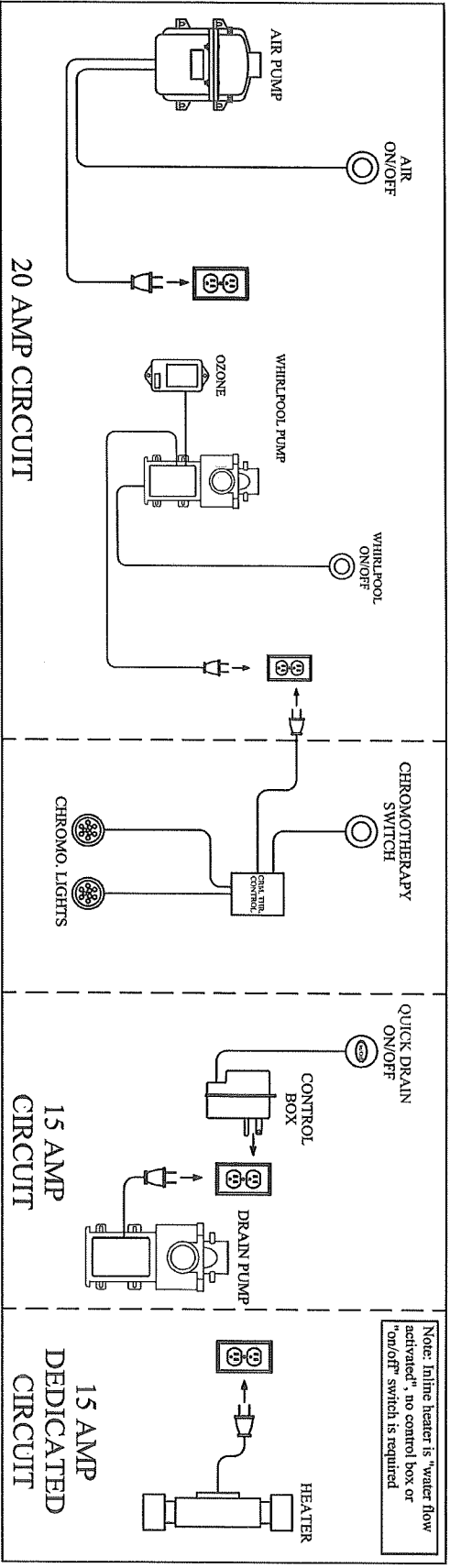
CHROMOTHERAPY

QUICK DRAIN

INLINE HEATER

Note: Inline heater is "water flow activated", no control box or "on/off" switch is required

COMBO



CHROMOTHERAPY

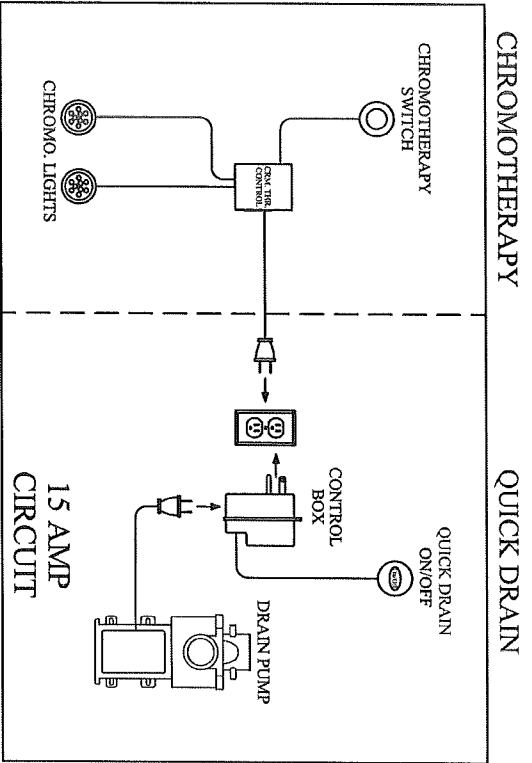
QUICK DRAIN

INLINE HEATER

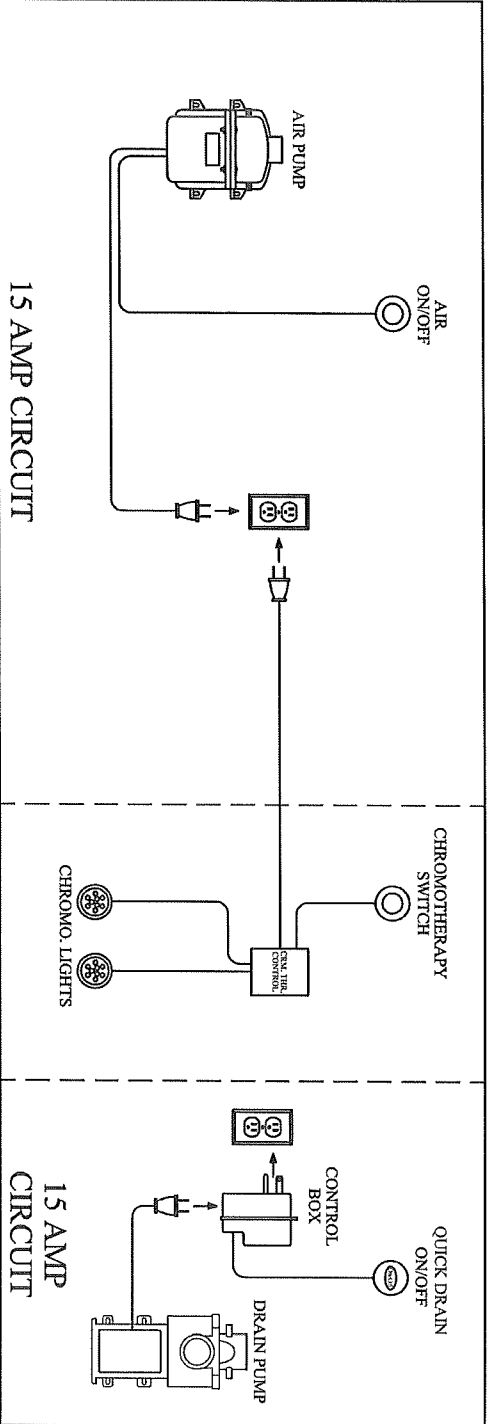
Note: Inline heater is "water flow activated", no control box or "on/off" switch is required

Note: All electrical connections should be made by a licensed electrician. All circuits must be 110 - 120 volts with 12 gauge, three conductor cable from the main electrical panel box and each protected with a Ground Fault Circuit Interrupter (GFCI) of a rating indicated for the application.

SOAKER



AIR



Note: All electrical connections should be made by a licensed electrician. All circuits must be 110 - 120 volts with 12 gauge, three conductor cable from the main electrical panel box and each protected with a Ground Fault Circuit Interrupter (GFCI) of a rating indicated for the application.