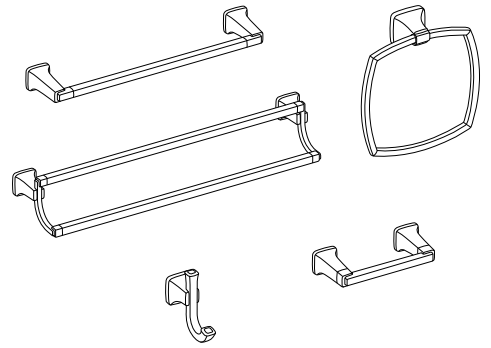


INSTALLATION INSTRUCTIONS

TOWNSEND

- 18" TOWEL BAR
- 24" TOWEL BAR
- TOWEL RING
- ROBE HOOK
- 24" DOUBLE TOWEL BAR
- TOILET PAPER HOLDER

- 7353.018 Series
- 7353.024 Series
- 7353.190 Series
- 7353.210 Series
- 7353.224 Series
- 7353.230 Series

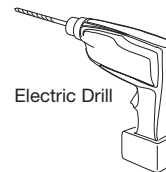
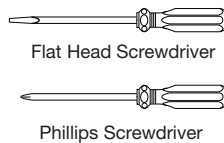


Certified to comply with ANSI A112.18.1M

Thank you for selecting American Standard...
the benchmark of fine quality for over 100 years.

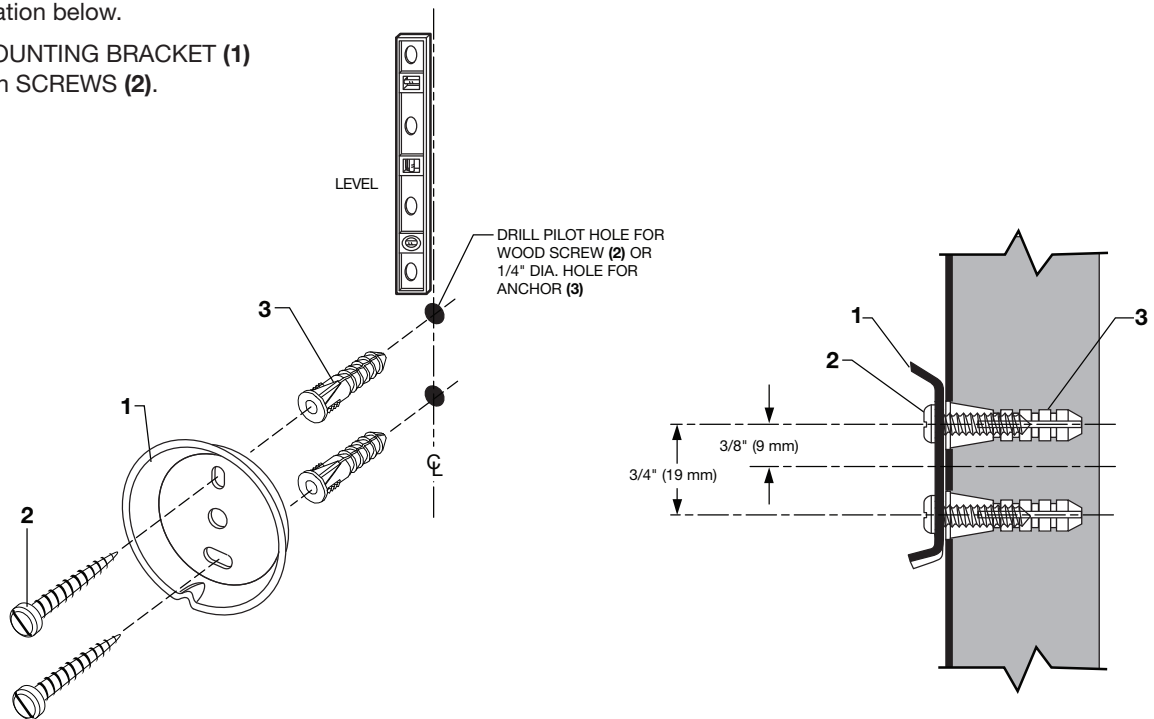
To ensure that your installation proceeds smoothly-please read these instructions carefully before you begin.

RECOMMENDED TOOLS



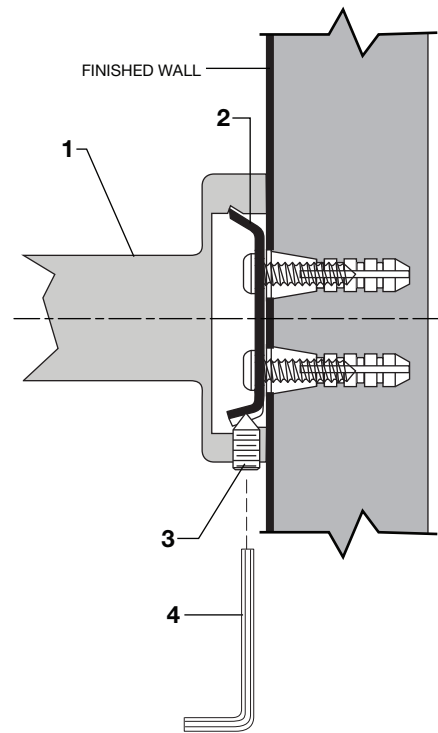
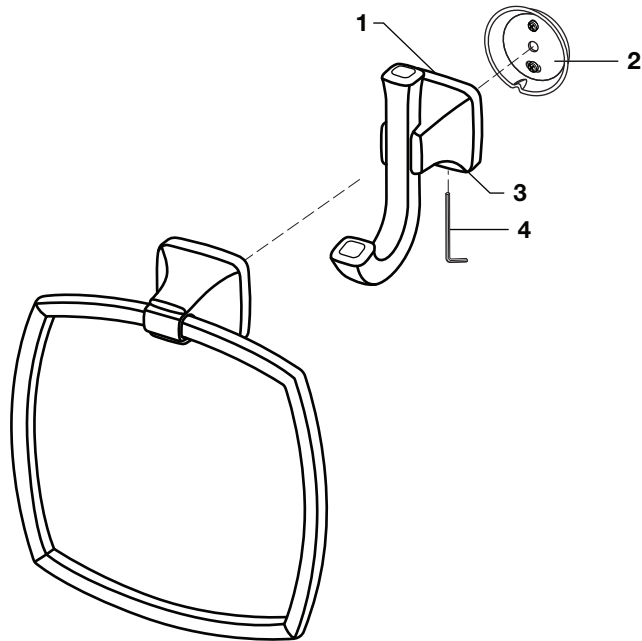
1 INSTALLATION OF MOUNTING BRACKETS FOR ALL WALL MOUNTED ACCESSORIES

- The WALL MOUNTED ACCESSORIES work best if secured to a wall stud or cross brace within the wall, using the SCREWS (2) supplied.
- If the ACCESSORY is to be installed on a tile or plaster wall, the ANCHORS (3) and SCREWS (2) should be used.
- Determine desired height and location (optional) and mark a center line. Make sure the centerline is level. Using the MOUNTING BRACKET (1) as a template, mark the two spots for the mounting holes. If MOUNTING BRACKET (1) is secured to a stud or cross brace, drill small pilot holes for SCREWS (2).
- For installations on tiled walls or drywall, use TILE ANCHORS (3) and SCREWS (2) for securing MOUNTING BRACKET (1) to wall. Drill two 1/4" diameter holes a minimum of 1-1/4" deep. Insert the two TILE ANCHORS (3) flush with face of finished wall. Place MOUNTING BRACKET (1) over TILE ANCHORS (3) and insert SCREWS (2) provided with a flat blade screwdriver. See illustration below.
- Secure MOUNTING BRACKET (1) to wall with SCREWS (2).



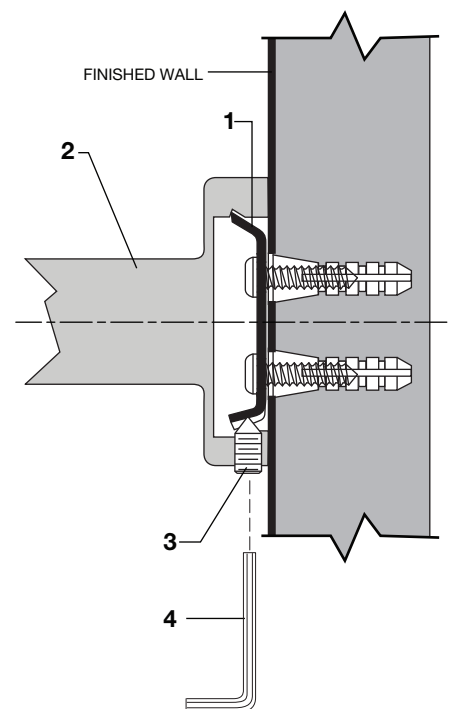
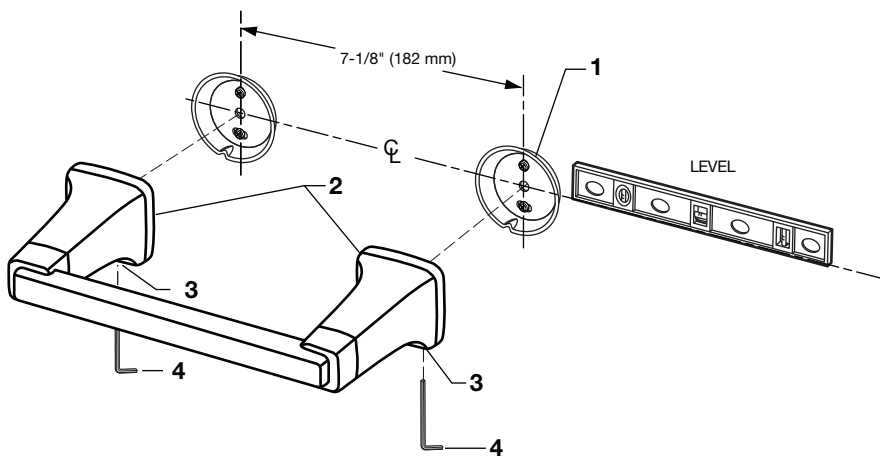
2 TOWEL RING and ROBE HOOK INSTALLATION

- Refer to **Step 1** for installation of MOUNTING BRACKETS (2). Align accessory and place ACCESSORY ESCUTCHEON (1) onto MOUNTING BRACKET (2). Secure accessory with SET SCREW (3) using a 2.5 mm HEX WRENCH (4).



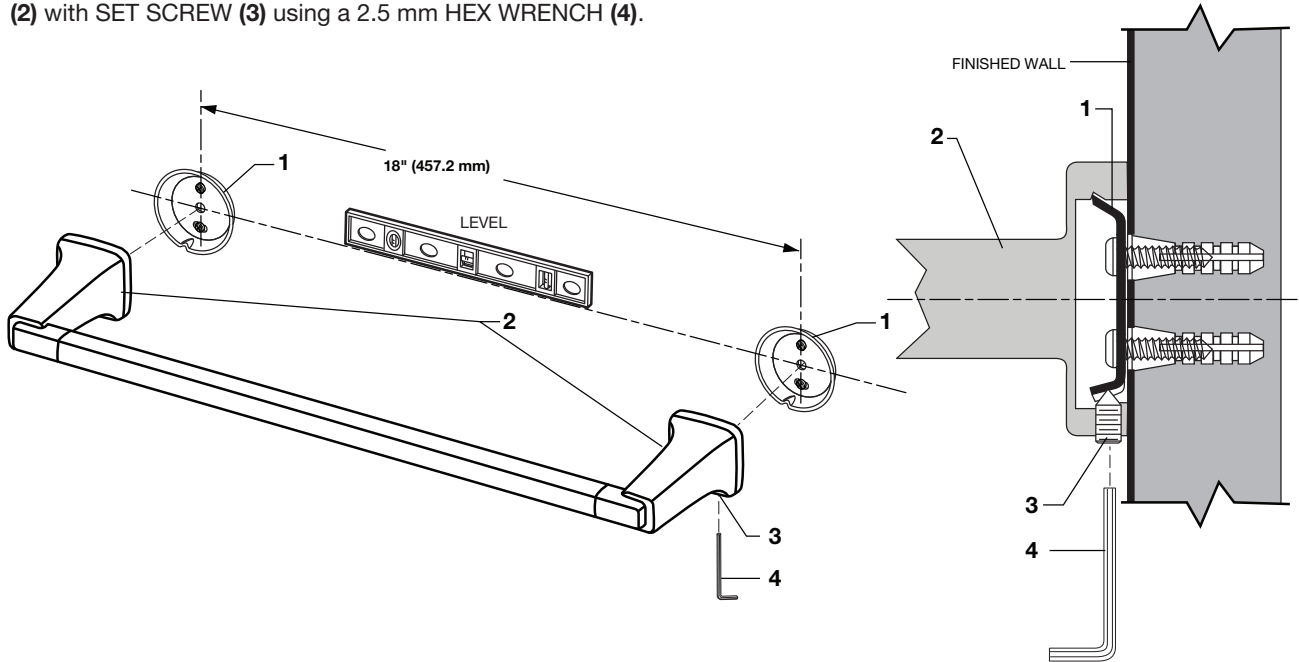
3 INSTALL TOILET PAPER HOLDER

- Refer to **Step 1** for installation of MOUNTING BRACKETS (1). **NOTE: The center line distance between the two MOUNTING BRACKETS is 7-1/8" (182 mm). Make sure the two MOUNTING BRACKETS (1) are level.**
- Install the ACCESSORY ESCUTCHEONS (2) on the MOUNTING BRACKETS (1). Secure ACCESSORY ESCUTCHEONS (2) with SET SCREW (3) using a 2.5 mm HEX WRENCH (4).



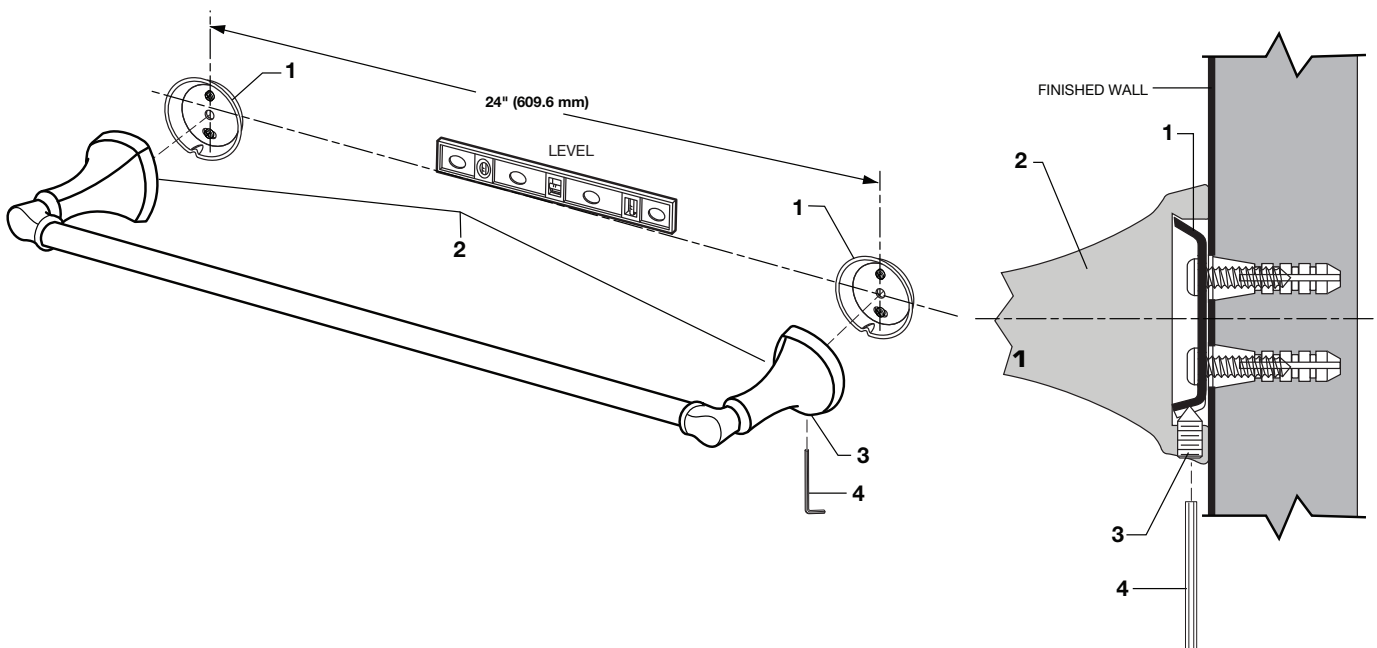
4 18" TOWEL BAR INSTALLATION

- Refer to **Step 1** for installation of MOUNTING BRACKETS (1). **NOTE: The center line distance between the two MOUNTING BRACKETS is 18" (457.2 mm). Make sure the two MOUNTING BRACKETS (1) are level.**
- Install the ACCESSORY ESCUTCHEONS (2) on the MOUNTING BRACKETS (1). Secure ACCESSORY ESCUTCHEONS (2) with SET SCREW (3) using a 2.5 mm HEX WRENCH (4).



5 24" TOWEL BAR and DOUBLE TOWEL BAR INSTALLATION

- Refer to **Step 1** for installation of MOUNTING BRACKETS (1). **NOTE: The center line distance between the two MOUNTING BRACKETS is 24" (609.6 mm). Make sure the two MOUNTING BRACKETS (1) are level.**
- Install the ACCESSORY ESCUTCHEONS (2) on the MOUNTING BRACKETS (1). Secure ACCESSORY ESCUTCHEONS (2) with SET SCREW (3) using a 2.5 mm HEX WRENCH (4).



6 CARE INSTRUCTIONS:

DO: CLEAN WITH CLEAR WATER. DRY WITH A SOFT COTTON FLANNEL CLOTH.

DO NOT: DO NOT CLEAN THE PRODUCT WITH SOAPS, ACID, POLISH, ABRASIVES, HARSH CLEANERS, OR A CLOTH WITH A COARSE SURFACE.

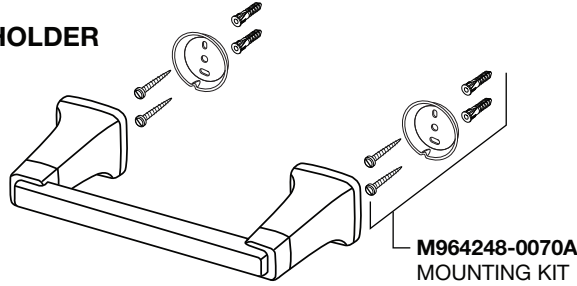
American Standard

TOWNSEND
 18" TOWEL BAR
 24" TOWEL BAR
 TOWEL RING
 ROBE HOOK
 24" DOUBLE TOWEL BAR
 TOILET PAPER HOLDER

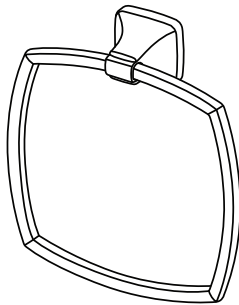
MODEL NUMBER

7353.018 Series
7353.024 Series
7353.190 Series
7353.210 Series
7353.224 Series
7353.230 Series

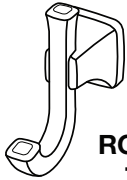
TOILET PAPER HOLDER
 7353.230



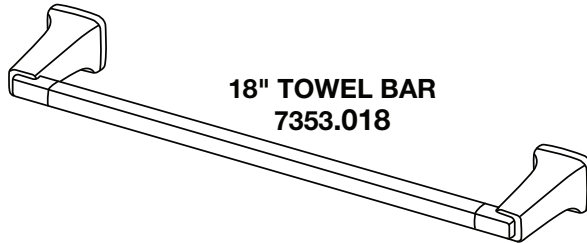
M964248-0070A
 MOUNTING KIT



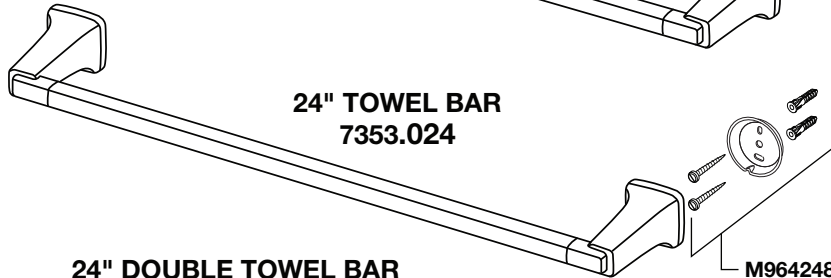
TOWEL RING
 7353.190



ROBE HOOK
 7353.210

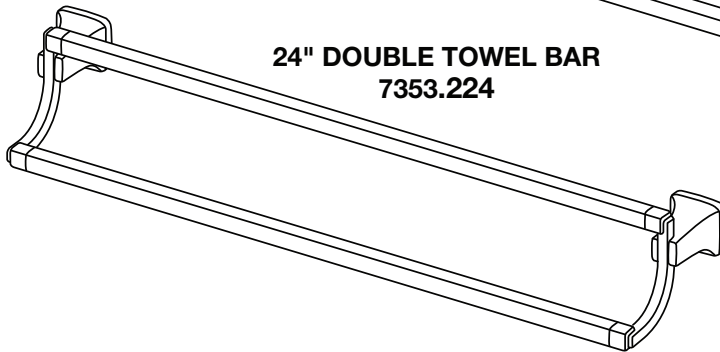


18" TOWEL BAR
 7353.018



24" TOWEL BAR
 7353.024

M964248-0070A
 MOUNTING KIT



24" DOUBLE TOWEL BAR
 7353.224

Replace the "YYY" with appropriate finish code

HOT LINE FOR HELP

For toll-free information and answers to your questions, call:
 1 (800) 442-1902

Mon. - Fri. 8:00 a.m. to 8:00 p.m. EST
 Saturday 10:00 a.m. to 4:00 p.m. EST

IN CANADA 1-800-387-0369
 (TORONTO 1-905-306-1093)

Weekdays 8:00 a.m. to 7:00 p.m. EST

IN MEXICO 01-800-839-1200



POLISHED CHROME	002
STAINLESS STEEL	075
POLISHED NICKEL	013
LEGACY BRONZE	278