

Home Care Technical Specification

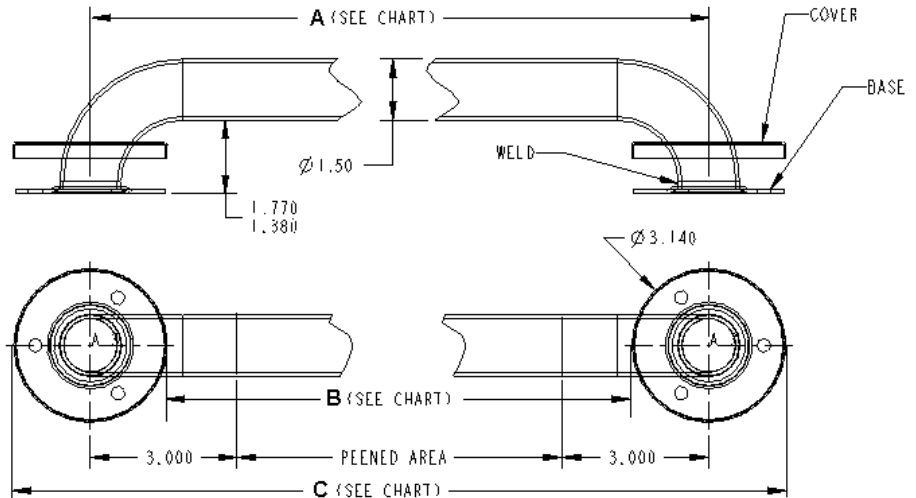
1 1/2" Peened Grab Bar – Concealed Screw

R8900

Stock Numbers:

- q **R8912P – 12" Grab Bar**
Stainless Steel Peened Finish
Concealed Screw Mounting
1 1/2" Diameter Bar
- q **R8918P – 18" Grab Bar**
Stainless Steel Peened Finish
Concealed Screw Mounting
1 1/2" Diameter Bar
- q **R8924P – 24" Grab Bar**
Stainless Steel Peened Finish
Concealed Screw Mounting
1 1/2" Diameter Bar
- q **R8930P – 30" Grab Bar**
Stainless Steel Peened Finish
Concealed Screw Mounting
1 1/2" Diameter Bar
- q **R8932P – 32" Grab Bar**
Stainless Steel Peened Finish
Concealed Screw Mounting
1 1/2" Diameter Bar
- q **R8936P – 36" Grab Bar**
Stainless Steel Peened Finish
Concealed Screw Mounting
1 1/2" Diameter Bar
- q **R8942P – 42" Grab Bar**
Stainless Steel Peened Finish
Concealed Screw Mounting
1 1/2" Diameter Bar
- q **R8948W – 48" Grab Bar**
Stainless Steel Peened Finish
Concealed Screw Mounting
1 1/2" Diameter Bar
- q **8992 – 16"x32" L Shaped Grab Bar**
Stainless Steel Peened Finish
Concealed Screw Mounting
1 1/2" Diameter Bar
- q **8994 – 24"x36" L-Shape " Grab Bar**
Stainless Steel Peened Finish
Concealed Screw Mounting
1 1/2" Diameter Bar
- q **8996 – 24"x48" L-Shape Grab Bar**
Stainless Steel Peened Finish
Concealed Screw Mounting
1 1/2" Diameter Bar

Dimensions:



	Dim. A	Dim. B	Dim. C
R8912P	12.00	8.86	15.14
R8918P	18.00	14.86	21.14
R8924P	24.00	20.86	27.14
R8930P	30.00	26.86	33.14
R8936P	36.00	32.86	39.14
R8942P	42.00	38.86	45.14

Installation Instructions:

1. Position unit on wall in desired location.
2. Mark mounting holes.
3. Drill starter holes.
4. Mount unit on wall using 2 1/4" screws (provided).
5. Snap flange covers into place.

Note: SecureMount Anchors are recommended for use in non-stud (hollow-wall) applications per installation instructions.

Materials:

1 1/2" Peened Grab Bar rods are formed from 20-gauge type-304 stainless steel tubing with a satin finish.

Compliance:

- ADA, ANSI, ASTM, CSA
- Tested to 500 lbs. pull

Stock Number: _____ Grab Bar
By Creative Specialties

25300 AL MOEN DRIVE • NORTH OLMS TED, OH 44070
CORPORATE HEADQUARTERS: (800) 321-8809 • FAX: (800) 848-6636
INTERNATIONAL: (440) 962-2000 • FAX: (440) 962-2726
CUSTOMER SERVICE (USA): 800-882-0116 • FAX: (888) 379-2720
WWW.SHOWHOUSE.MOEN.COM

©Copyright Creative Specialties International

