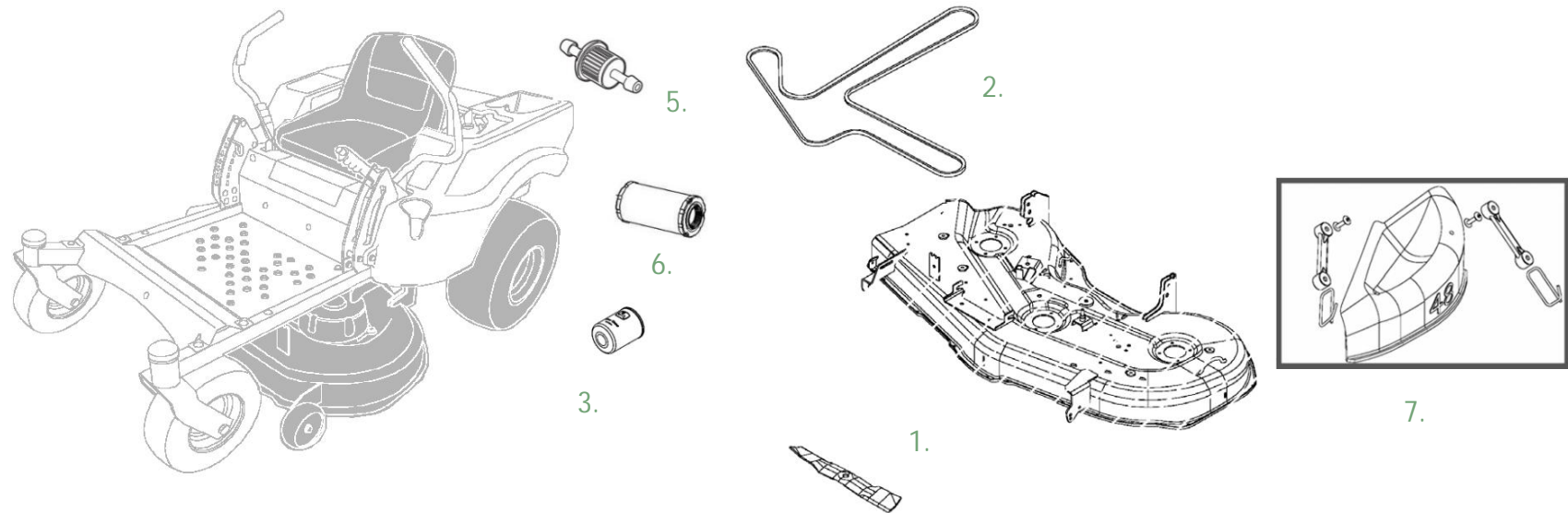


John Deere Z255 EZtrak™

Parts and Maintenance Information



Key	Description	Part Number	THD Store SKU	THD Online SKU
1.	48 inch Mower Blade (3n1)	GY20852	469-450	100571304
2.	48 inch Mower Deck Belt	GX21833	470-341	100546396
3.	Oil Filter	GY20577	226-963	100175070
4.	Oil	TY22029	226-971	100127512
5.	Fuel Filter	GY20709	289-625	100126418
6.	Air Filter	GY21435	876-771	202722487
7.	Mulch Cover	GY00417	NA	100670937

John Deere Z255 EZtrak™

Parts and Maintenance Information

Service Intervals

After 8 Hours	Every 100 Hours or Annually
Change engine oil	Replace air filter element(s)
Change engine oil filter	Replace fuel filter
Check mower deck level	Check mower belt
Every 50 hours or Annually	Sharpen / replace mower blades
Change engine oil	Clean underside of deck
Change engine oil filter	Check tire pressure
Lubricate mower deck spindles	Clean engine cooling fins
Check mower deck level	Check mower deck level
	Every 200 Hours
	Check / adjust engine valve clearance. See your John Deere dealer for this service.

For complete parts information for EZtrak™ Mowers: Visit your local John Deere Dealer or www.Deere.com

*Refer to Operators Manual for a complete listing of service intervals.

