



Savannah 4pc Seating Assembly Instructions

Before beginning assembly, layout all parts on a soft, scratch resistant surface. Contact SE Brands directly if any parts are missing. We will gladly provide free replacements.

Please do not contact your retail store for replacement parts, or assembly questions.

During assembly, hand tighten each bolt until all bolts are started. Once each bolt is started, you can fully tighten them down. This helps to insure all piece align properly and makes assembly a much easier process.

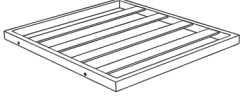

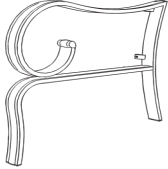
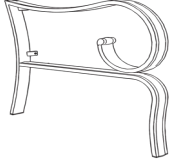







QUESTIONS? MISSING PARTS?

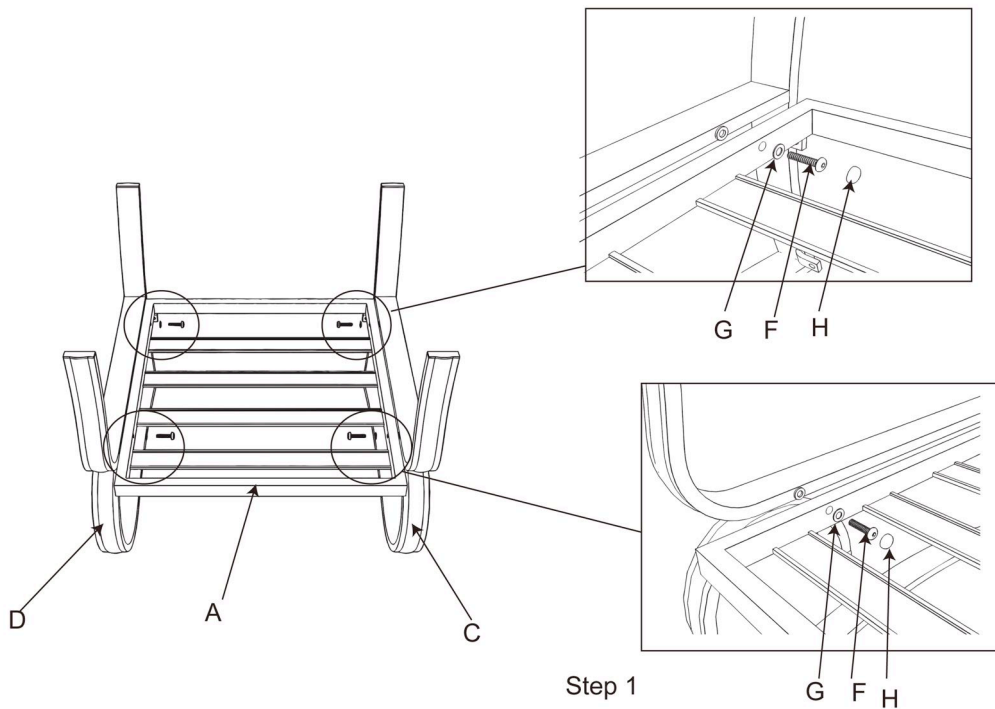
Contact SE Brands directly for the fastest service.

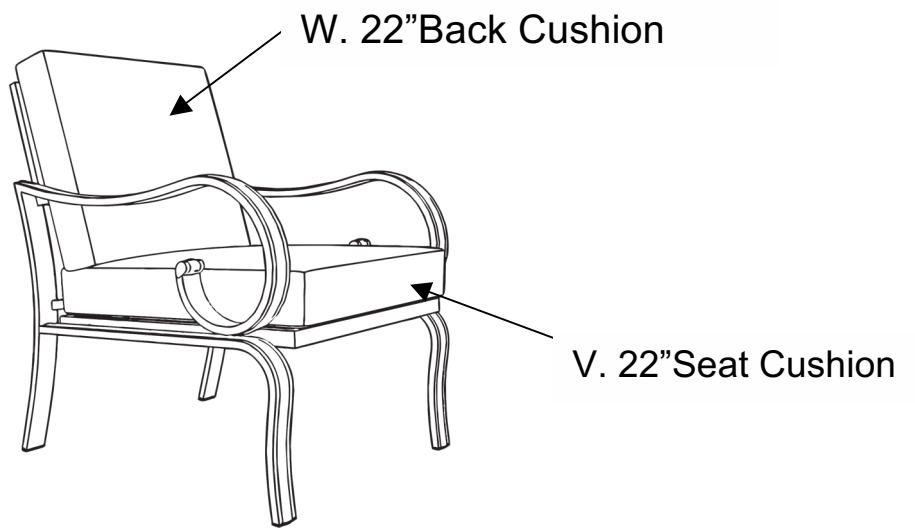
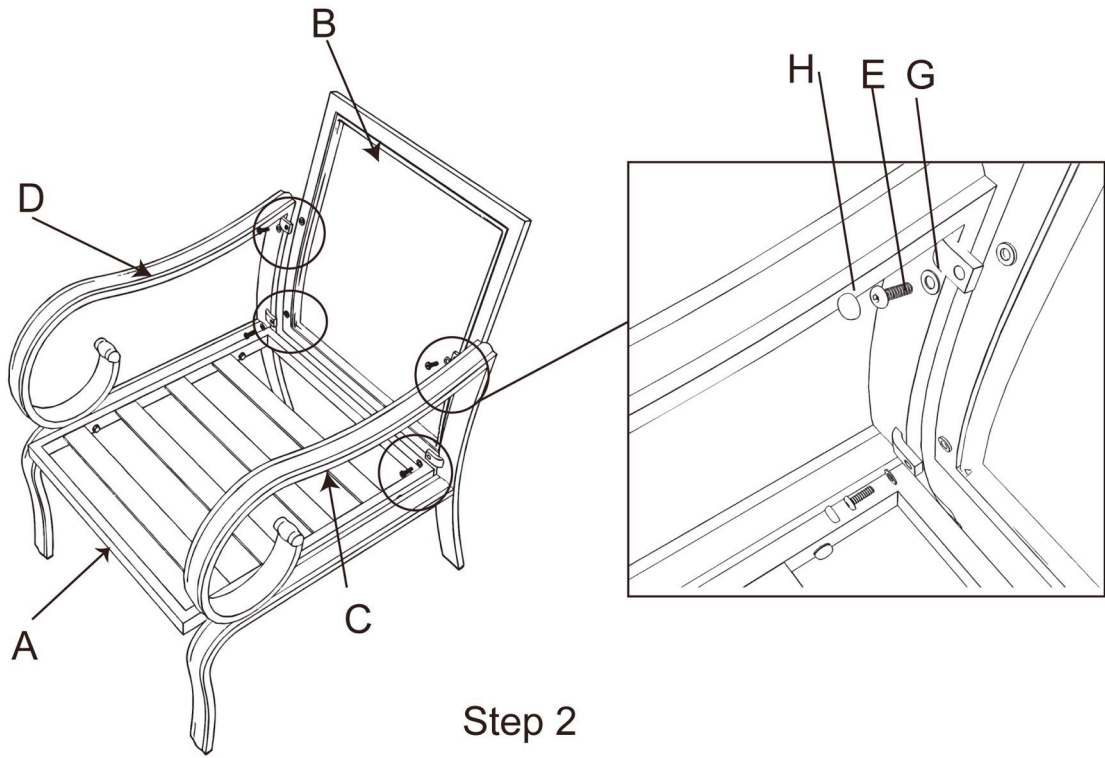
hello@sebrandsinc.com

888-682-3012


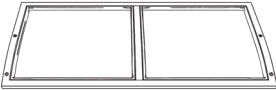
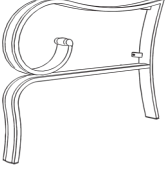
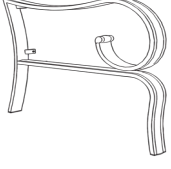







Savannah Chair x 2

			
A. Chair Seat	B. Chair Back	C. Left Arm When Seating	D. Right Arm When Seating
2PCS	2PCS	2PCS	2PCS
			
E. Bolt (M6x20mm)	F. Bolt (M6x35mm)	G. Metal Washer (M6)	H. Plastic Bolt Cap (M6)
8PCS	8PCS	16pcs	16PCS
			
I. Allen Wrench	W. 22" Back Cushion	V. 22" Seat Cushion	
1PC	2PCS	2PCS	





Savannah Loveseat

			
A1. Loveseat Seat	B1. Loveseat Back	C. Left Arm When Seating	D. Right Arm When Seating
1PC	1PC	1PC	1PC
			
E. Bolt(M6x20mm)	F. Bolt(M6x35mm)	G. Metal Washer(M6)	H. Plastic Bolt Cap(M6)
4PCS	4PCS	8pcs	8PCS
			
I. Allen Wrench	W. 22"Back Cushion	V. 22"Seat Cushion	
1PC	2PCS	2PCS	

