

## Top Mount Refrigerators

FFHT1832T S/M/P/E

18.0 Cu. Ft. Top Mount



### Product Dimensions

|  |         |
|--|---------|
| Height<br>(Including Hinges & Rollers) | 66-5/8" |
| Width                                  | 30"     |
| Depth (Including Door)                 | 30-1/8" |

### More Easy-To-Use Features

#### Full-Width Wire Freezer Shelf

Gives you a way to organize items in your freezer better so you can find food quickly.

#### Reversible Door

Door can be installed to open left or right based on your needs.

#### Clear Dairy Bin

Keep foods like butter, cheese and yogurt organized.

#### A.D.A. - Compliant<sup>1</sup>

With accessible shelving, and controls that are positioned within arm's reach and allow one-hand operation, our top-freezer refrigerator is A.D.A.-Compliant.

ENERGY STAR®



### Available in:



## Signature Features

### Store-More™ Humidity-Controlled Crisper Drawers

Keep your fruits and vegetables fresh in our humidity-controlled crisper drawers.

### Store-More™ Gallon Door Shelf

Door storage gives you room for larger items like a gallon of milk.

### SpillSafe® Shelves

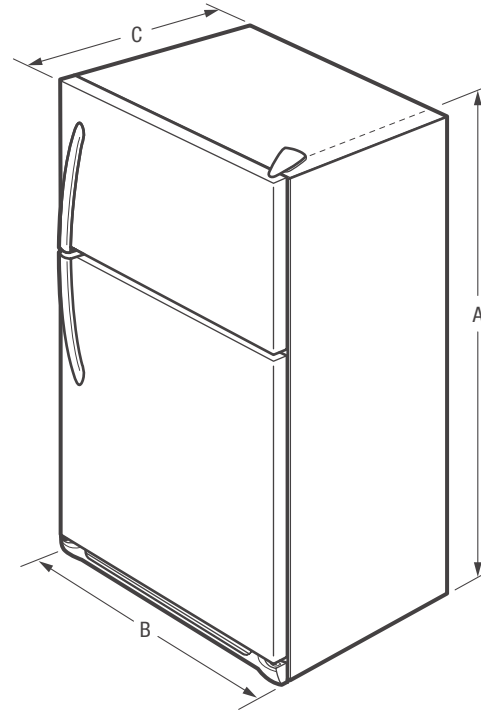
Designed to keep spills contained, making cleanup a breeze.

### Bright LED Lighting

Find food faster in your refrigerator and freezer with bright LED lighting.

<sup>1</sup>When properly installed, this model is A.D.A.-qualified based on the United States Access Board's A.D.A./A.B.A. Accessibility Guidelines and the Department of Justice's 2010 A.D.A. Standards for Accessible Design.

|   |  |
|---|--|
| <b>Features</b>                                     |  |
| Door Design   | UltraSoft™                                     |
| Door Handle Design                                  | Stainless Steel (S), Color-Coordinated (M/P/E) |
| Cabinet Finish (Textured)                           | Black (S), Color-Coordinated (M/P/E)           |
| Door Stops  | Yes  |
| Door Hinge Covers                                   | Black (S), Color-Coordinated (M/P/E)           |
| Door Reverse Option                                 | Yes  |
| Rollers - Front/Rear                                | Fixed/Yes                                      |
| Sound Package                                       |  |
| Toe Grille  | Black (S), Color-Coordinated (M/P/E)           |
| <b>Refrigerator Features</b>                        |  |
| Interior Lighting                                   | LED  |
| Refrigerator Shelves                                | 2 Full-Width SpillSafe®                        |
| Deli Drawer   | 1 Half-Width                                   |
| Wine/Can Rack                                       |  |
| Store-More™ Crisper Drawers                         | 2 Clear  |
| Humidity Controls                                   | 2  |
| Dairy Compartment                                   | Clear Dairy Door                               |
| Door Bins   | 3 Full-Width White                             |
| Door Racks  |  |
| Non-Slip Bin Liner                                  |  |
| Tall Bottle Retainers                               |  |
| Gallon Door Storage                                 | 1  |
| <b>Freezer Features</b>                             |  |
| Door Bins   | 2 Full-Width Clear                             |
| Door Racks  |  |
| Freezer Shelves                                     | 1 Full-Width Wire                              |
| Factory Ice Maker w/ Large Ice Bin                  | Optional (PN# IM116)                           |
| Lighting  |  |
| <b>Certifications</b>                               |  |
| A.D.A. - Compliant <sup>1</sup>                     | Yes  |
| ENERGY STAR®  | Yes  |
| <b>Specifications</b>                               |  |
| Total Capacity (Cu. Ft.)                            | 18.0   |
| Refrigerator Capacity (Cu. Ft.)                     | 14.1   |
| Freezer Capacity (Cu. Ft.)                          | 3.9  |
| Power Supply Connection Location                    | Right Bottom Rear                              |
| Water Inlet Connection Location                     | Bottom Right                                   |
| Voltage Rating                                      | 120V / 60Hz                                    |
| Connected Load (kW Rating) @ 120 Volts <sup>2</sup> | 0.72   |
| Amps @ 120 Volts                                    | 6.0  |
| Minimum Circuit Required (Amps)                     | 15   |
| Shipping Weight (Approx.)                           | 205 Lbs.                                       |



<sup>1</sup>When properly installed, this model is A.D.A.-qualified based on the United States Access Board's A.D.A./A.B.A. Accessibility Guidelines and the Department of Justice's 2010 A.D.A. Standards for Accessible Design.

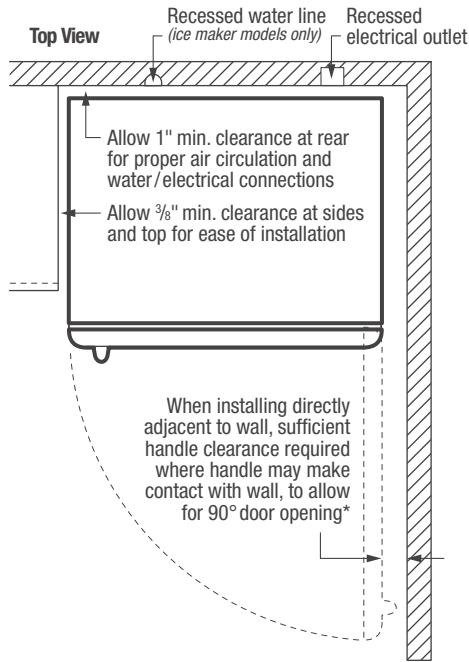
<sup>2</sup>For use on adequately wired 120V, dedicated circuit having 2-wire service with a separate ground wire. Appliance must be grounded for safe operation.

NOTE: For planning purposes only. Always consult local and national electric and plumbing codes. Refer to Product Installation Guide for detailed installation instructions on the web at [frigidaire.com](http://frigidaire.com).

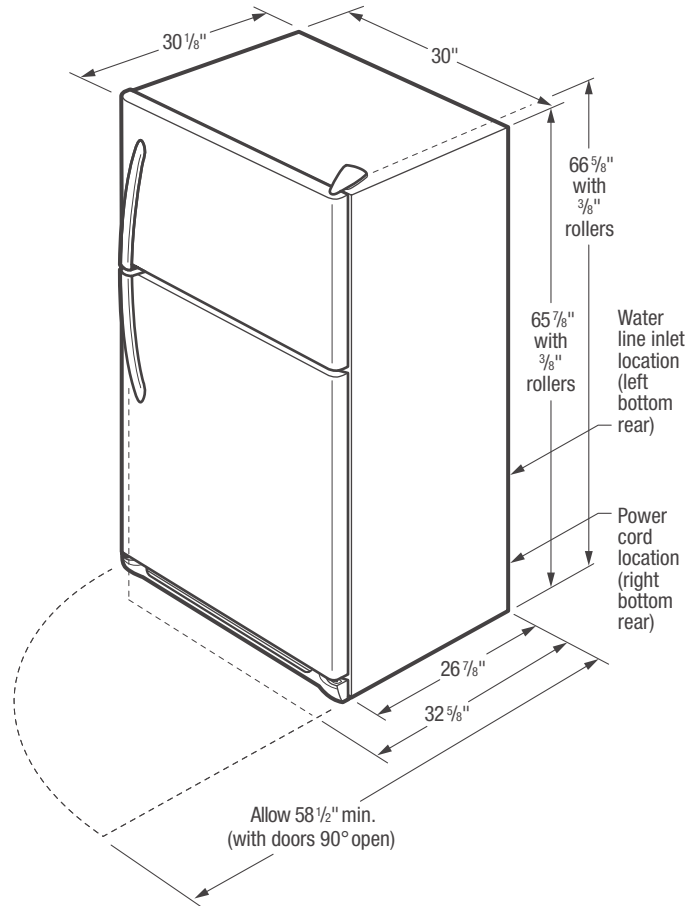


| Product Dimensions                  |         |
|-------------------------------------|---------|
| A - Height (Incl. Hinges & Rollers) | 66-5/8" |
| B - Width                           | 30"     |
| C - Depth (Incl. Door)              | 30-1/8" |
| Depth with Door Open 90°            | 58-1/2" |

Accessories information available on the web at [frigidaire.com](http://frigidaire.com)



\* When installing refrigerator adjacent to wall, cabinet or other appliance that extends beyond front edge of unit, 20" minimum clearance recommended to allow for optimum 140° door swing, providing complete crisper access and removal. (Absolute 3" minimum clearance will ONLY allow for 90° door swing which will provide limited crisper access with restricted removal.)



**Top Mount Refrigerator Specifications**

- Product Shipping Weight (approx.) - 205 Lbs.
- An electrical supply with grounded three-prong receptacle is required. The power supply circuit must be installed in accordance with current edition of National Electrical Code (NFPA 70) and local codes & ordinances.
- Voltage Rating - 120V/60 Hz
- Connected Load (kW Rating) @ 120 Volts = 0.72 kW
- Amps @ 120 Volts = 6.0 Amps
- Always consult local and national electric & plumbing codes.
- Floor should be level surface of hard material, capable of supporting fully loaded refrigerator.
- Minimum 3/8" clearance required for sides and top of refrigerator with 1" clearance at rear to allow for ease of installation, proper air circulation, and plumbing/electrical connections.
- When installing refrigerator adjacent to wall, cabinet or other appliance that extends beyond front edge of unit, 20" minimum clearance recommended to allow for optimum 140° door swing, providing complete crisper access and removal. (Absolute 3" minimum clearance will ONLY allow for 90° door swing which will provide limited crisper access with restricted removal.)

- To ensure optimum performance, do not install in areas where temperature drops below 55° F or rises above 110° F and avoid installing in direct sunlight or close proximity to range, dishwasher or other heat source.
- For proper ventilation, front grille MUST remain unobstructed.
- Recess electrical outlet when possible.
- Optional Ice Maker Kit (PN# IM116) available for installation in ice maker-ready models only.
- Water recess on rear wall recommended to prevent water line damage.
- Water Pressure - Cold water line must provide between 30 and 100 pounds per square inch (psi).
- Copper tubing with 1/4" O.D. recommended for water supply line with length equal to distance from rear of unit to household water supply line plus 7 additional feet. Optional Water Supply Installation Kits available.

**Note:** For planning purposes only. Refer to Product Installation Guide on the web at [frigidaire.com](http://frigidaire.com) for detailed instructions.

**Optional Accessories**

- Ice Maker Kit - (PN# IM116).