



shown in Brushed Nickel  
with 60" Walnut blades



# Irene-3

Designed in 2012



shown in Textured Bronze  
with 42" Barn Wood blades

Cutting a figure like no other, the Irene-3 is rustic, yet strikingly modern with three neatly joined, solid wood walnut or barn wood tone blades. A spherical motor housing complements its minimal profile. Irene-3 is streamline while still appearing warm and natural. Constructed of cast aluminum and heavy stamped steel, the Irene-3 has a limited lifetime warranty.



shown in Polished Chrome  
with 52" Walnut blades

## SKU NAMING CONVENTION

SKU#	<b>IR3-XX-XX-XX</b> (Model+Finish+Blade+Diameter)
Finishes	Brushed Nickel - <b>BN</b> Polished Chrome - <b>CR</b> Textured Bronze - <b>TB</b>
Blade Finish	Barn Wood Tone - <b>BW</b> Walnut Tone - <b>WA</b>
Fan Diameter	42 inches / 107 cm - <b>42</b> 52 inches / 132 cm - <b>52</b> 60 inches / 152 cm - <b>60</b>

## STANDARD EQUIPMENT

One downrod of 10 inches / 13 cm

Vaulted ceiling canopy for up to 30°

6-speed RF remote control with reverse function in black



Wireless Decora-style, 6-speed, wall control in white



## CEILING HEIGHT / DOWNROD TABLE

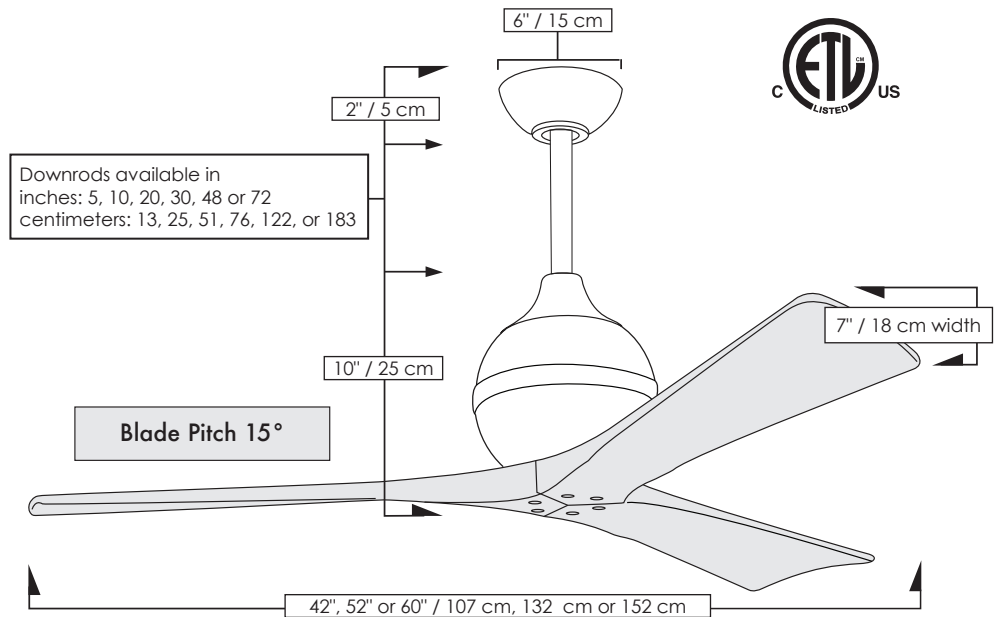
Ceiling Height	Downrod Lengths <i>Field cuttable. Non-threaded</i>
10 ft or less	5 inches / 13 cm
10 -12 feet	10 inches / 25 cm
13 feet	20 inches / 51 cm
14 feet	30 inches / 76 cm
15 feet	48 inches / 122 cm
16 feet +	72 inches / 183 cm

## CEILING PITCH TABLE

0/12	0 degrees
1/12	4.76 degrees
2/12	9.46 degrees
3/12	14.04 degrees
4/12	18.43 degrees
5/12	22.62 degrees
6/12	26.57 degrees
7/12	30.26 degrees
8/12	33.69 degrees
9/12	36.87 degrees
10/12	39.81 degrees
11/12	42.51 degrees

# Irene-3

## TECHNICAL SPECIFICATIONS



## FAN SPECIFICATIONS

Fan Diameters	inches: 42, 52 or 60 centimeters: 107, 132 or 152
Overall Drop	12 inches / 30 cm + downrod length
Fan Weight	17 lbs
Voltage	110 or 220
Motor Type	DC
Downrods Lengths <i>Field cuttable. Non-threaded</i>	inches: 5, 10, 20, 30, 48, 72 centimeters: 13, 25, 51, 76, 122, 183
Downrod Diameter	1 inch
Remote Control	Hand-held, wall-mountable, 6-speed with reverse
Wall Control	Decora-style wall control: DC-WC
Environment	Damp locations for all finishes Neither coastal, saltwater nor chlorine compatible
Ambience	Silent
Safety Certification	ETL / CETL
Warranty	Limited Lifetime

## MOTOR EFFICIENCY DATA AT HIGH SPEEDS

	42 inch / 107 cm	52 inch / 132 cm	60 inch / 152 cm
RPM	231	196	160
CFM	3516.89	6168.14	6984.39
Watts	17.08	32.12	31.67
CFM/Watt	205.91	192.03	220.54
Blade Pitch	15°	15°	15°

### Matthews Fan Company

1881 Industrial Drive  
Libertyville, IL 60048  
Tele: 847.680.9043  
Fax: 847.680.8140

www.matthewsfanco.com

© 2017 Matthews Fan Company. All rights reserved.

