



## ► **Safety and Care Advice**

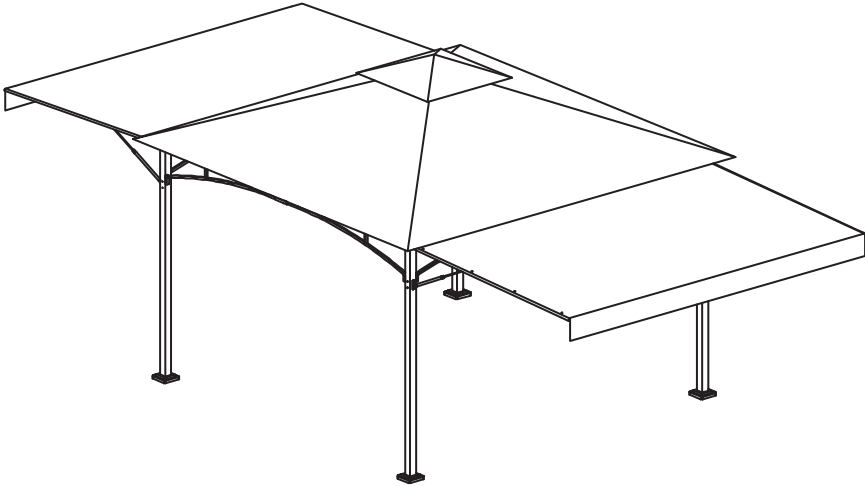
- Please check and make sure you have all the parts indicated before you start with the assembly.
- Assembly work should be performed on a soft surface to prevent the finish to be scratched during assembly.
- Easy wipe clean with a dry or slightly damp cloth. Do NOT use chemical products.
- Please make sure there's no sharp objects (e.g. garden tools, knives and etc.) careful when sitting on the furniture for your own safety. Such items might tear down fabrics or pierce through resin weave, causing permanent damages.
- We recommend furniture to be covered or put away when not in use, in order to prolong product life.

## ► **Consejos de seguridad y cuidado**

- Antes de comenzar a ensamblar este producto, asegúrese de contar con todas las partes necesarias.
- Es conveniente ensamblar este producto sobre una superficie suave para no raspar el acabado.
- Límpielo con un paño seco o ligeramente húmedo. No utilice productos químicos.
- Debe tenerse cuidado al sentarse sobre el mueble con algún objeto cortante (herramientas de jardinería y cuchillos) en sus bolsillos, ya que pueden desgarrar las telas y penetrar el tejido de resina, lo que lo dañará irreparablemente
- Recomendamos guardar los muebles cuando no estén en uso para prolongar su vida útil



# Assembly Instruction



# PARTS LIST

## READ AND SAVE THIS INSTRUCTION







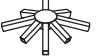
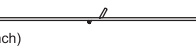
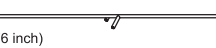

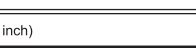
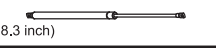









Please read instructions carefully and identify all the parts before assembly.

The assembly requires 2 people.

Tools needed: double side ladder. Please use double side ladder instead of single straight ladder.

※ Caution: Small parts-Choking Hazard- Not for children.

When assembling, Do NOT lean the ladder against the poles for support in case of falling.

Part A - 4 Pcs  (81.9 inch) Leg	Part B - 4 Pcs  (61 inch) Cross Bar	Part C - 4 Pcs  (56.3 inch) Cross Bar
Part D - 4 Pcs  (64.6 inch) Top Roof Tube	Part E - 4 Pcs  (67 inch) Support Bar	Part F - 4 Pcs  (32.7 inch) Support Bar
Part G - 1 Piece  (9.4 inch) Top Center Hub	Part H - 2 Pcs  (76 inch) Canopy Frame	Part I - 2 Pcs  (76 inch) Canopy Frame
Part J - 4 Pcs  (58.6 inch) Canopy Frame Bar	Part K - 4 Pcs  (58.6 inch) Canopy Frame Bar	Part L - 4 Pcs  (28.3 inch) Hydraulic Lift Bar
Part M - 1 Piece  Top Canopy Cloth	Part N - 2 Pcs  Canopy Cloth	Part O - 28 Pcs  Hook
Part P - 8 Pcs  Stake	Part Q - 4 Pcs  Pad	Part R - 4 Pcs  Foot Cap
Part S - 20 Pcs  Bolt (M6x15mm)	Part T - 8 Pcs  Nut	Part U - 4 Pcs  Steel Plate

# ASSEMBLY INSTRUCTIONS

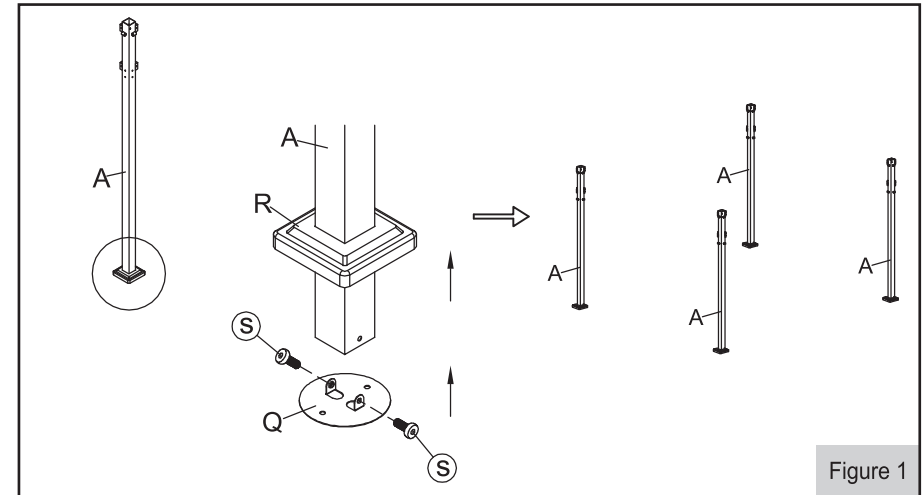


Figure 1

STEP 1: Insert Foot Cap (R) to Leg (A) and connect with Pad (Q) by using bolt (S) as shown in Figure 1.

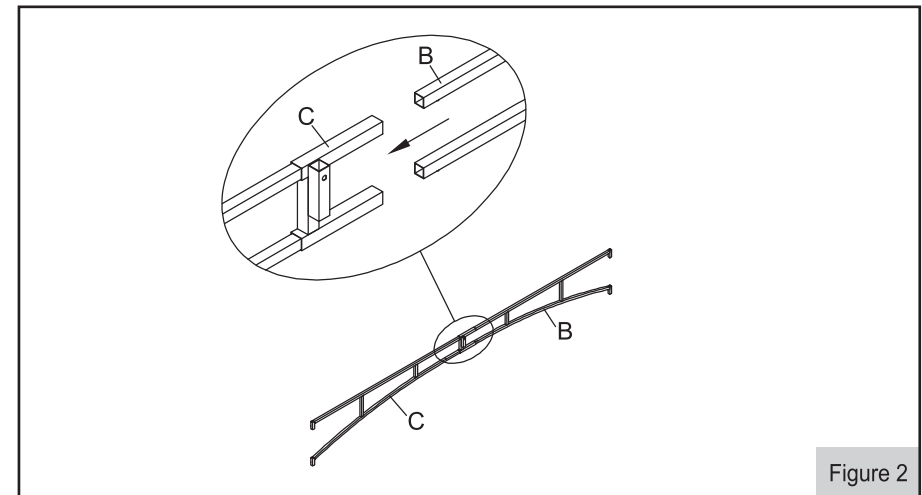


Figure 2

STEP 2: Insert Cross Bar (B) to Cross Bar (C).

# ASSEMBLY INSTRUCTIONS

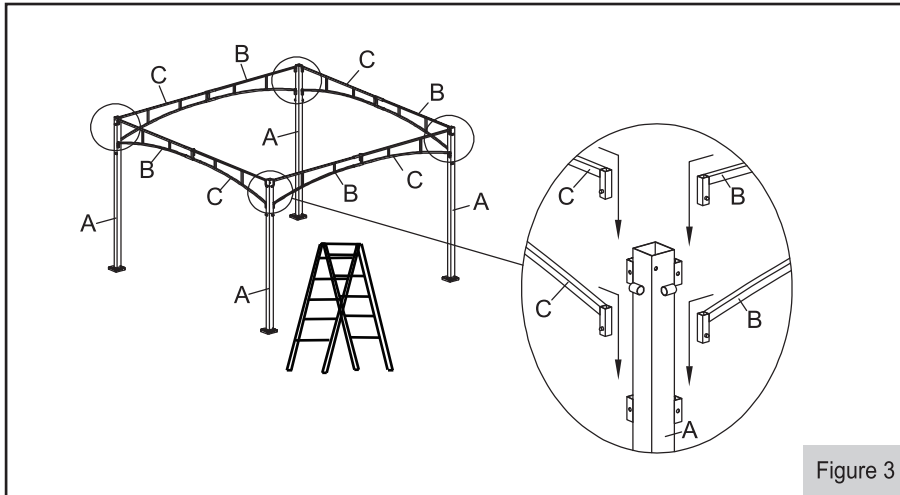


Figure 3

STEP 3: Insert Cross Bar (B&C) to Leg (A).

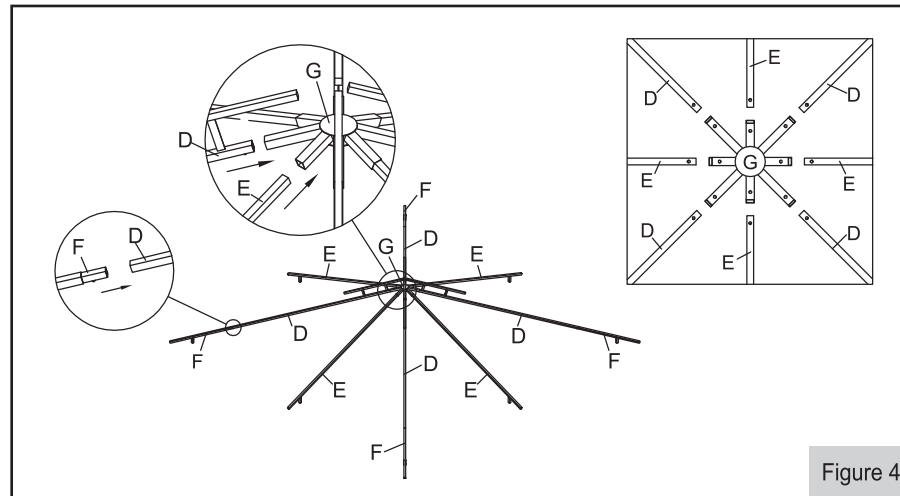


Figure 4

STEP 4: Insert Support Bar (F) to Top Roof Tube (D) and insert Top Roof Tube (D) & Support Bar (E) to Top Center Hub (G) as shown in Figure 4.

# ASSEMBLY INSTRUCTIONS

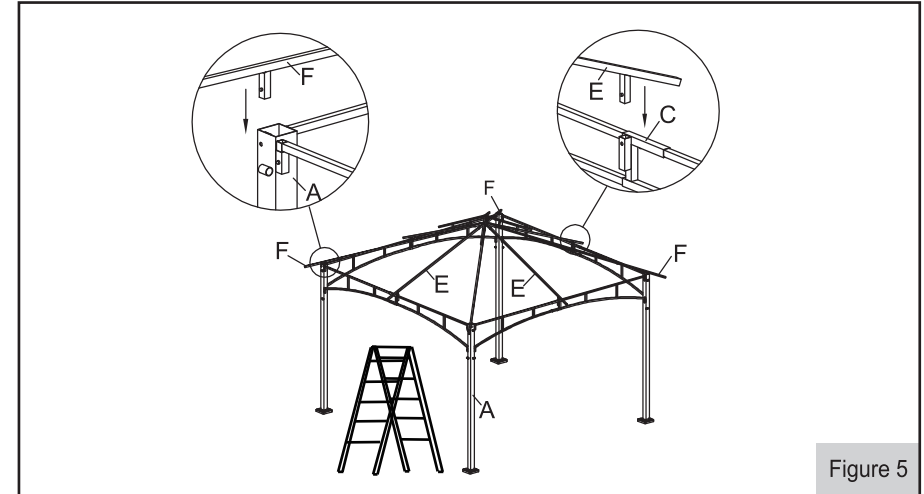


Figure 5

STEP 5: Insert Support Bar (F) to Leg (A) and insert Support Bar (E) to Cross Bar (C) as shown in Figure 5.

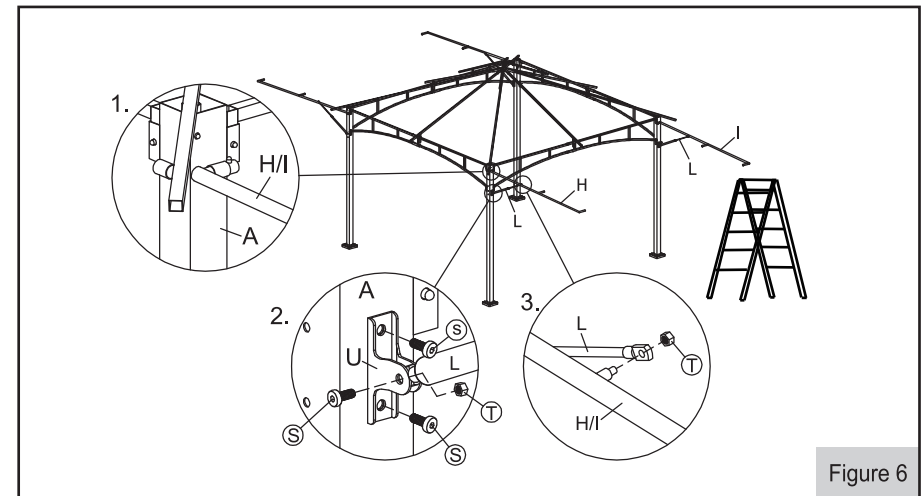


Figure 6

STEP 6: (1) Insert Canopy Frame (H&I) to Leg (A). (2) Attach the Steel Plate (U), Leg (A), and Hydraulic Lift Bar (L) by using Bolt (S) and Nut (T). (3) Insert Hydraulic Lift Bar (L) to Canopy Frame (H&I) by using nut (T) as shown in Figure 6.

# ASSEMBLY INSTRUCTIONS

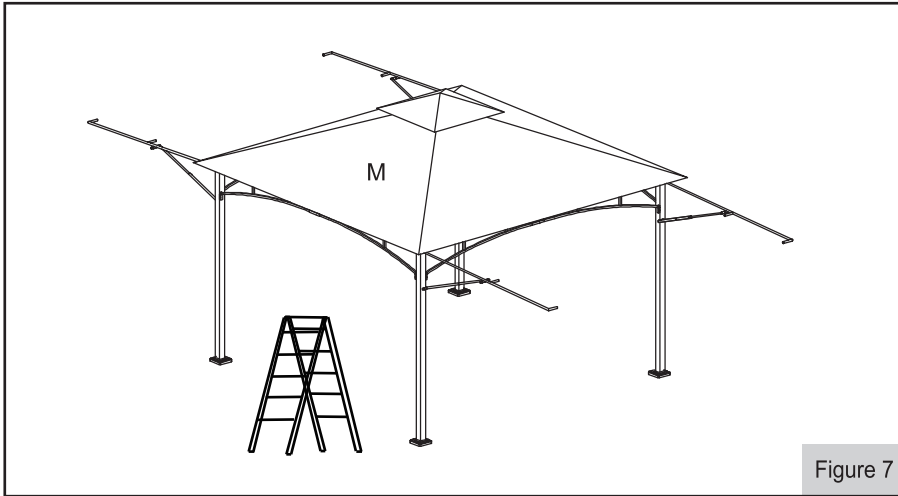


Figure 7

STEP 7: Place the Top Canopy Cloth (M) on the vent roof as shown in Figure 7.

**NOTE: Be careful when assembling to avoid mishaps.**

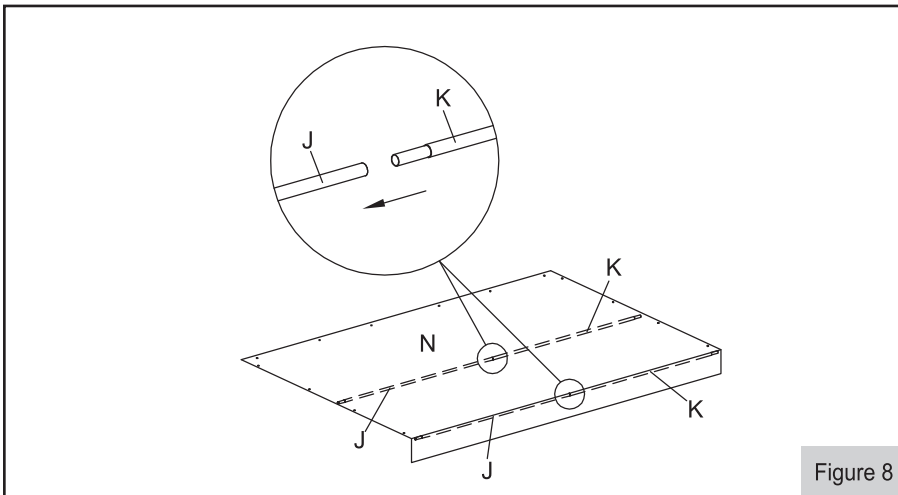


Figure 8

STEP 8: Insert Canopy Frame Bar (K) to Canopy Frame Bar (J) as shown in Figure 8.

# ASSEMBLY INSTRUCTIONS

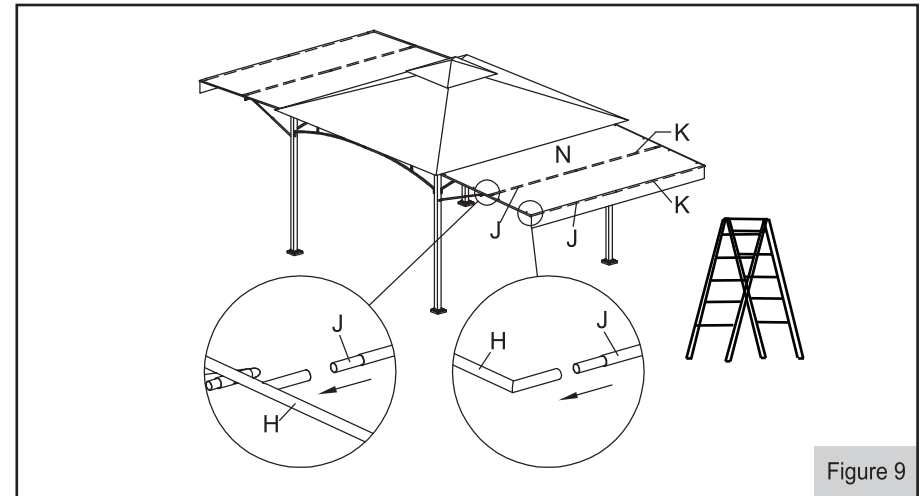


Figure 9

STEP 9: Insert Canopy Frame Bar (J) to Canopy Frame (H) and insert Canopy Frame Bar (K) to Canopy Frame (I) as shown in Figure 9.

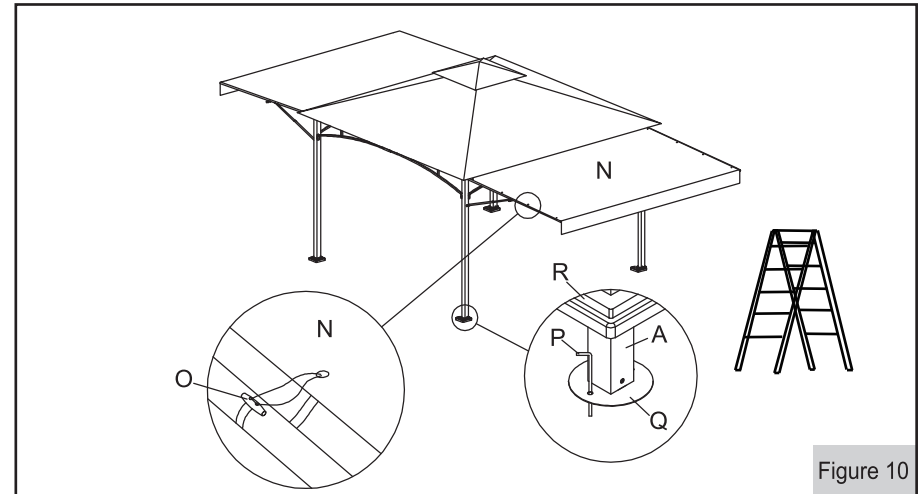


Figure 10

STEP 10: The Hook (O) onto the Canopy Frame (H&I) for fix the Canopy (N). Insert the Stake (P) into the bottom of each leg (A) as shown in Figure 10.

**(Part N can be attached to any of the 4 sides.)**

# ASSEMBLY INSTRUCTIONS

Note: This gazebo is meant to be used for decorative and sunshade purposes only and is not meant to withstand any elements of the weather.

- 1). Do not cook underneath gazebo.
- 2). Do not ignite fireworks underneath gazebo.
- 3). Please keep the assembly instruction.