



# OPERATOR'S MANUAL

MANUEL D'UTILISATION  
MANUAL DEL OPERADOR

## 16 in. LAWN MOWER

TONDEUSE DE 406,4 mm (16 po)  
PODADORA DE 406,4 mm (16 pulg.)

**RYAC160**



Your lawn mower has been engineered and manufactured to our high standard for dependability, ease of operation, and operator safety. When properly cared for, it will give you years of rugged, trouble-free performance.

**⚠ WARNING:** To reduce the risk of injury, the user must read and understand the operator's manual before using this product.

Thank you for your purchase.

### SAVE THIS MANUAL FOR FUTURE REFERENCE

Ce tondeuse a été conçu et fabriqué conformément à nos strictes normes de fiabilité, simplicité d'emploi et sécurité d'utilisation. Correctement entretenu, cet outil vous donnera des années de fonctionnement robuste et sans problème.

**⚠ AVERTISSEMENT :** Pour réduire les risques de blessures, l'utilisateur doit lire et veiller à bien comprendre le manuel d'utilisation avant d'employer ce produit.

Merci de votre achat.

**CONSERVER CE MANUEL POUR  
FUTURE RÉFÉRENCE**

Su podadora ha sido diseñado y fabricado de conformidad con nuestras estrictas normas para brindar fiabilidad, facilidad de uso y seguridad para el operador. Con el debido cuidado, le brindará muchos años de sólido funcionamiento y sin problemas.

**⚠ ADVERTENCIA:** Para reducir el riesgo de lesiones, el usuario debe leer y comprender el manual del operador antes de usar este producto.

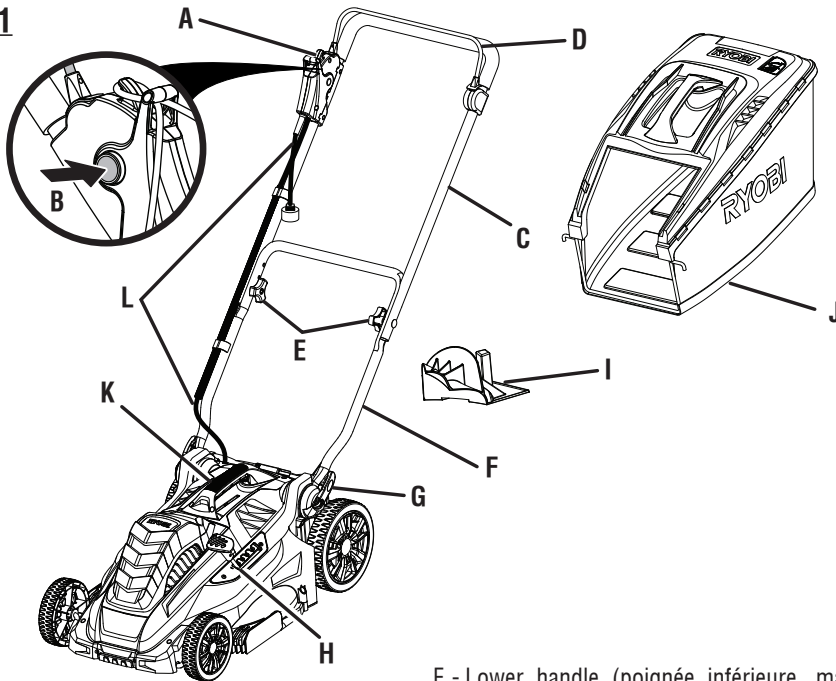
Le agradecemos su compra.

**GUARDE ESTE MANUAL PARA  
FUTURAS CONSULTAS**

**See this fold-out section for all of the figures referenced in the operator's manual.**

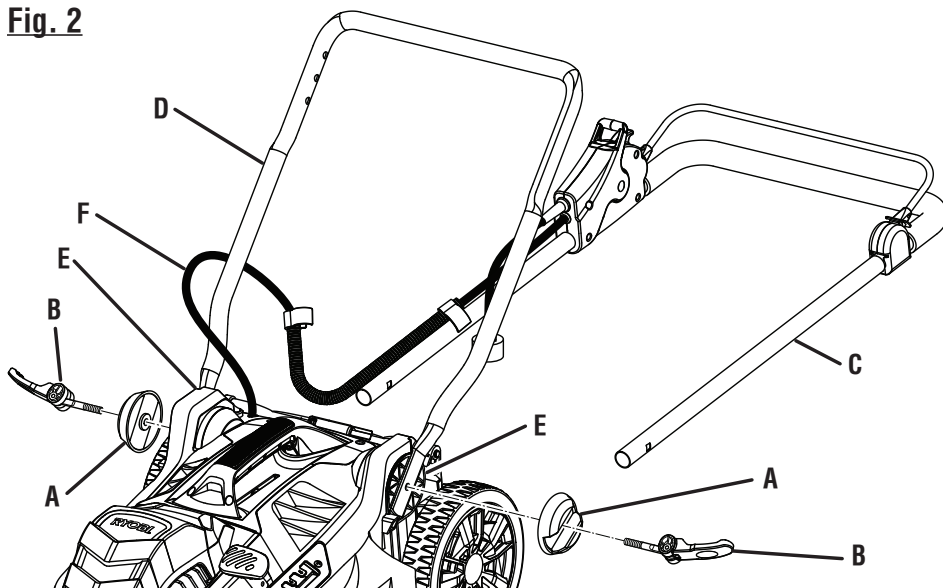
**Consulter l'encart à volets afin d'examiner toutes les figures mentionnées dans le manuel d'utilisation.**

**Consulte esta sección desplegable para ver todas las figuras a las que se hace referencia en el manual del operador.**

**Fig. 1**

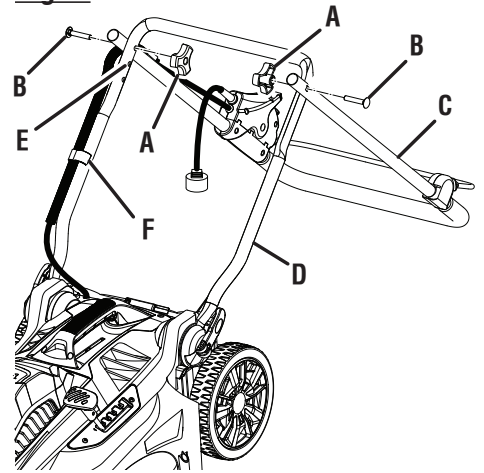
- A - Motor/blade control assembly (dispositif de commande du moteur/de la lame, conjunto de control del motor/hoja)  
 B - Start button (bouton démarrer, botón de arranque)  
 C - Upper handle assembly (assemblage de la poignée supérieure, conjunto de mango superior)  
 D - Blade control lever (levier de commande de la lame, palanca de control de la hoja)  
 E - Upper handle lock knob (bouton de verrou de la poignée supérieure, perilla del seguro del mango superior)

- F - Lower handle (poignée inférieure, mango inferior)  
 G - Lower handle lock (verrou de la poignée inférieure, seguro del mango inferior)  
 H - Height adjustment lever (levier de réglage de la hauteur, palanca de ajuste de altura)  
 I - Mulching plug (insert broyeur, tapón para trituración)  
 J - Grass catcher (collecteur d'herbe, receptor de hierba)  
 K - Carrying handle (poignée de transport, mango de acarreo)  
 L - Power cord (cordon d'alimentation, cable de alimentación)

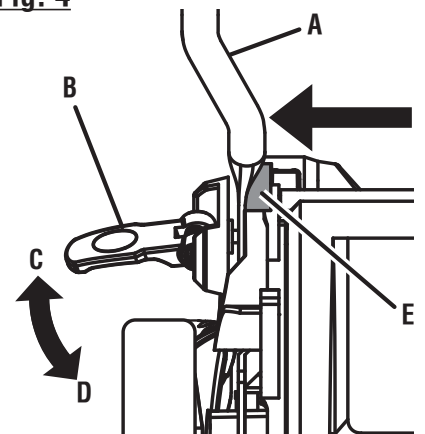
**Fig. 2**

- A - Lower handle lock (verrou de la poignée inférieure, seguro del mango inferior)  
 B - Lower handle lock bolt (boulon de verrou de la poignée inférieure, perno de seguro del mango inferior)  
 C - Upper handle assembly (assemblage de la poignée supérieure, conjunto de mango superior)

- D - Lower handle (poignée inférieure, mango inferior)  
 E - Slot (fente, ranura)  
 F - Power cord (cordon d'alimentation, cable de alimentación)

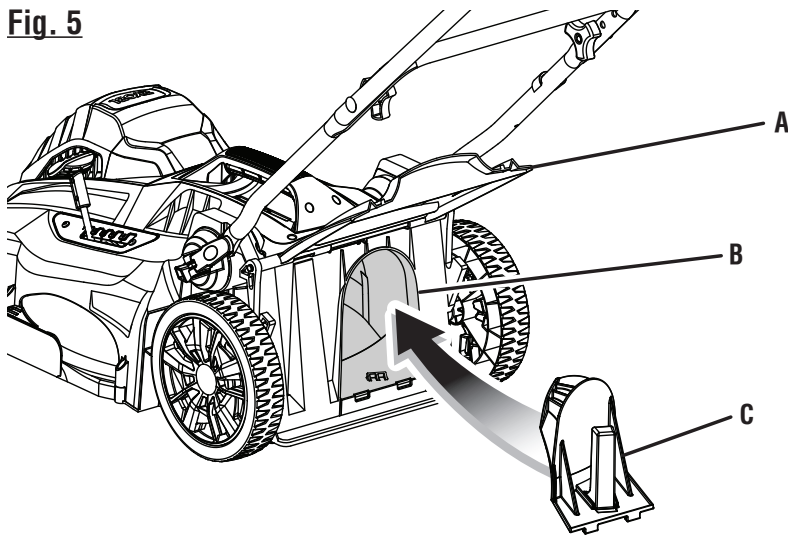
**Fig. 3**

- A - Upper handle lock knob (bouton de verrou de la poignée supérieure, perilla del seguro del mango superior)  
 B - Upper handle lock bolt (boulon de verrou de la poignée supérieure, perno de seguro del mango supérieure)  
 C - Upper handle assembly (assemblage de la poignée supérieure, conjunto de mango superior)  
 D - Lower handle (poignée inférieure, mango inferior)  
 E - Height adjustment holes (trous de réglage de hauteur, orificios de ajuste de altura)  
 F - Cord clip (clip de cordon, clip de cable)

**Fig. 4**

- A - Lower handle (poignée inférieure, mango inferior)  
 B - Lower handle lock (verrou de la poignée inférieure, seguro del mango inferior)  
 C - Loosen (desserrer, aflojar)  
 D - Tighten (serrer, apriete)  
 E - Slot (fente, ranura)

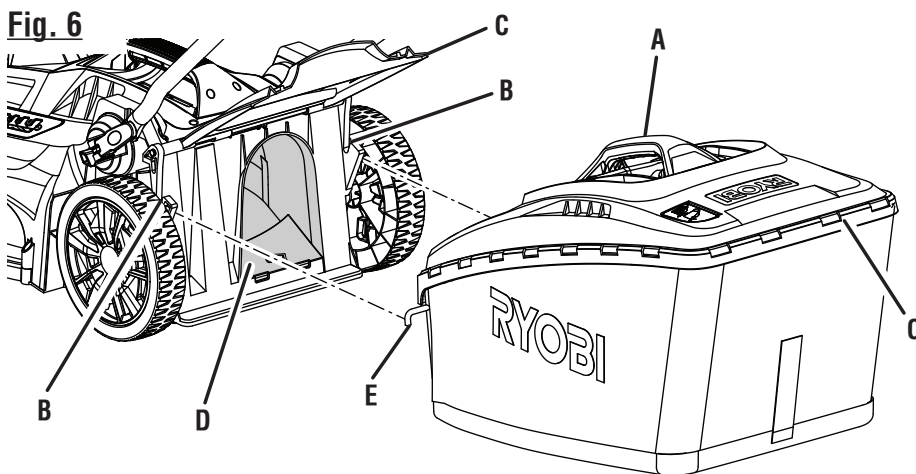
**Fig. 5**



A - Rear discharge door (couverture d'éjection arrière, puerta de descarga posterior)  
 B - Rear discharge opening (ouverture d'éjection arrière, abertura de descarga posterior)

C - Mulching plug (insert broyeur, tapón para trituración)

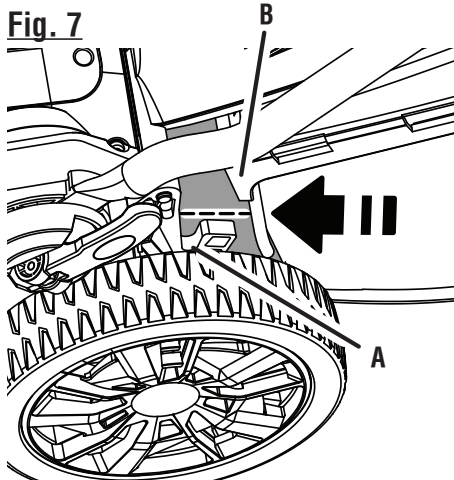
**Fig. 6**



A - Grass catcher handle (poignée de collecteur d'herbe, mango del receptor de hierba)  
 B - Slots (fentes, ranuras)  
 C - Rear discharge door (couverture d'éjection arrière, puerta de descarga posterior)

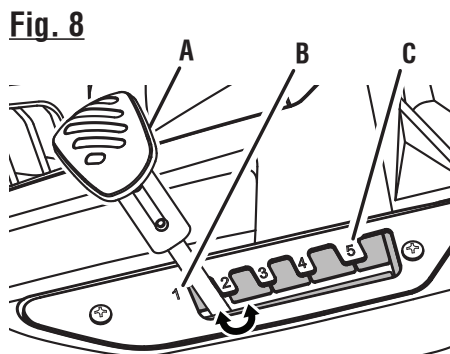
D - Rear discharge opening (ouverture d'éjection arrière, abertura de descarga posterior)  
 E - Hooks (crochets, ganchos)

**Fig. 7**



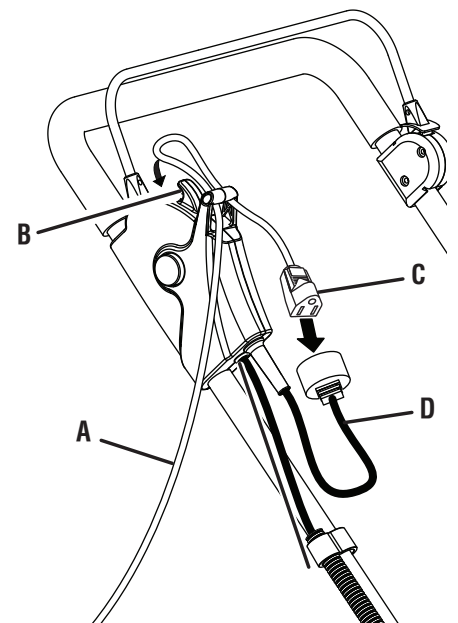
A - Slots (fentes, ranuras)  
 B - Hooks (crochets, ganchos)

**Fig. 8**



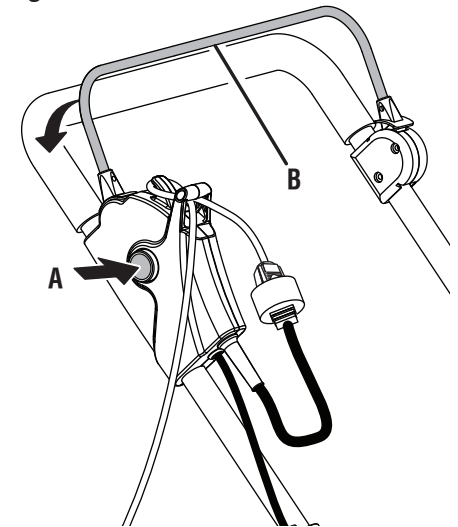
A - Height adjustment lever (levier de réglage de la hauteur, palanca de ajuste de altura)  
 B - Lowest blade setting (le plus bas réglage de la lame, ajuste más bajo de la hoja)  
 C - Highest blade setting (le plus haut réglage de la lame, ajustes de cuchilla más alto)

**Fig. 9**



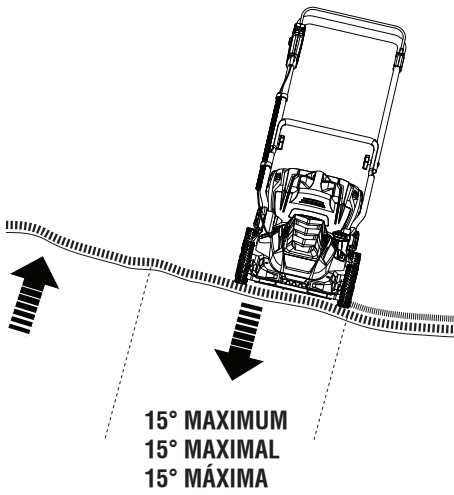
A - Extension cord (cordon prolongateurs, cordón de extensión)  
 B - Cord retainer (retenue de cordon, retén para el cable)  
 C - Extension cord receptacle (prise du cordon prolongateurs, receptáculo del cordón de extensión)  
 D - Power cord (cordon d'alimentation, Cable de alimentación)

**Fig. 10**



A - Start button (bouton démarrer, botón de arranque)  
 B - Blade control lever (levier de commande de la lame, palanca de control de la hoja)

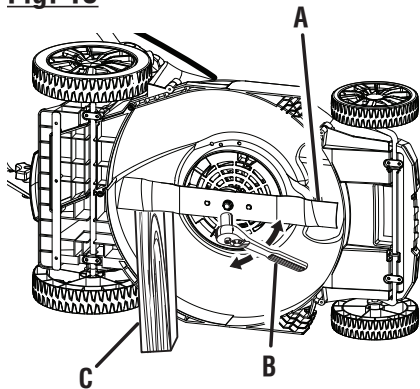
**Fig. 11**



**Fig. 12**

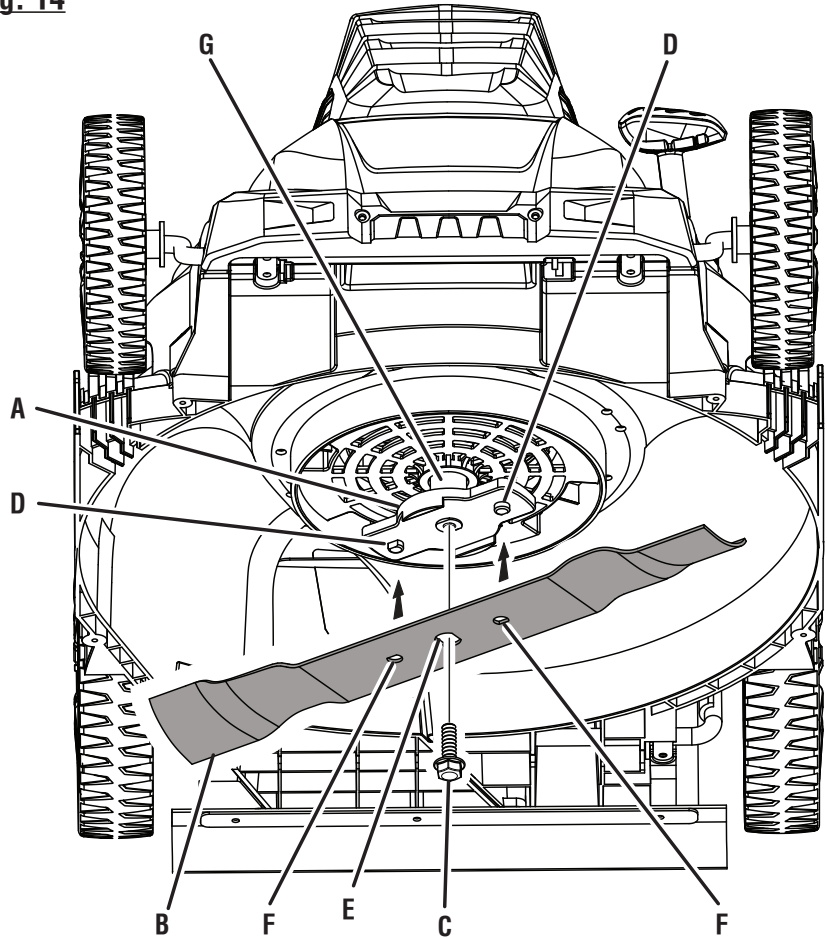


**Fig. 13**



- A - Blade (lame, hoja)
- B - Wrench (clé, llave)
- C - Block of wood (pièce de bois, bloque de madera)

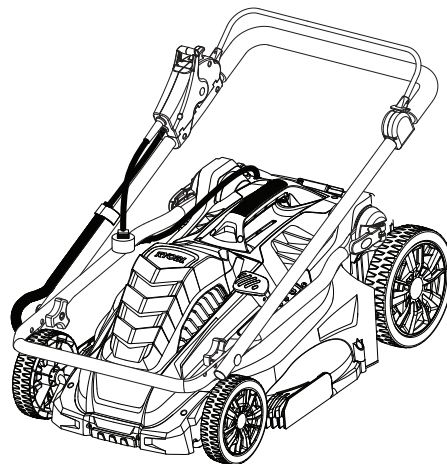
**Fig. 14**



- A - Flange (sabot, brida)
- B - Blade (lame, hoja)
- C - Blade bolt (boulon de lame, perno de la hoja)
- D - Blade post (half circle) [tige pour lame (demi-cercle), puerto de la hoja (semicircular)]
- E - Bolt hole (round) [trou pour boulon (ronde), orificio de la perno (redondo)]
- F - Blade hole (half circle) [trou pour lame (demi-cercle), orificio de la hoja (semicircular)]
- G - Shaft (arbre, eje)

**Fig. 15**

**TO STORE THE MACHINE  
POUR REMISER L'ÉQUIPEMENT  
PARA GUARDAR LA MÁQUINA**



# TABLE OF CONTENTS

## TABLE DES MATIÈRES / ÍNDICE DE CONTENIDO

■ Introduction .....	2
Introduction / Introducción	
■ Important Safety Instructions .....	3-5
Instructions importantes concernant la sécurité / Instrucciones de seguridad importantes	
■ Symbols .....	6-7
Symboles / Símbolos	
■ Electrical .....	8
Caractéristiques électriques / Aspectos eléctricos	
■ Features .....	9
Caractéristiques / Características	
■ Assembly .....	10-11
Assemblage / Armado	
■ Operation .....	12-13
Utilisation / Funcionamiento	
■ Maintenance .....	14-15
Entretien / Mantenimiento	
■ Troubleshooting .....	15
Dépannage / Solución de problemas	
■ Warranty .....	16
Garantie / Garantía	
■ Parts Ordering and Service .....	Back Page
Commande de pièces et réparation / Pedidos de piezas y servicio.....	Page arrière / Pág. posterior

## INTRODUCTION

### INTRODUCCIÓN

This product has many features for making its use more pleasant and enjoyable. Safety, performance, and dependability have been given top priority in the design of this product making it easy to maintain and operate.

\* \* \*

Ce produit offre de nombreuses fonctions destinées à rendre son utilisation plus plaisante et satisfaisante. Lors de la conception de ce produit, l'accent a été mis sur la sécurité, les performances et la fiabilité, afin d'en faire un outil facile à utiliser et à entretenir.

\* \* \*

Este producto ofrece numerosas características para hacer más agradable y placentero su uso. En el diseño de este producto se ha conferido prioridad a la seguridad, el desempeño y la fiabilidad, por lo cual se facilita su manejo y mantenimiento.

# IMPORTANT SAFETY INSTRUCTIONS



## **WARNING:**

### **READ AND UNDERSTAND ALL INSTRUCTIONS.**

Failure to follow all instructions listed below and on the machine may result in electric shock, fire, and/or serious personal injury.

## **READ ALL INSTRUCTIONS**

- This cutting machine is capable of amputating hands and feet and throwing objects. Failure to observe all safety instructions could result in serious injury or death.
- Avoid dangerous environment — Do not use the lawn mower in damp or wet conditions or operate in the rain.
- Keep children away — Keep all bystanders, children, and pets at least 100 ft. away. Stop machine if anyone enters the area.
- Tragic accidents can occur if the operator is not alert to the presence of children. Children are often attracted to the machine and the mowing activity. Never assume that children will remain where you last saw them.
  - Keep children out of the mowing area and under the watchful care of a responsible adult other than the operator.
  - Be alert and turn mower off if a child enters the area.
  - Never allow children to operate the machine.
  - Use extra care when approaching blind corners, shrubs, trees, or other objects that may block your view of a child.
- Dress properly — Wear heavy, long pants, long sleeves, boots, and gloves. Do not wear loose fitting clothing, short pants, sandals, or go barefoot. Do not wear jewelry of any kind. They can be caught in moving parts.
- Don't overreach — Keep proper footing and balance at all times. Overreaching can result in loss of balance.
- Do not operate the equipment while barefoot or when wearing sandals or similar lightweight footwear. Wear protective footwear that will protect your feet and improve your footing on slippery surfaces.
- Do not leave the mower unattended while running or connected to the power supply.
- Keep hands and feet away from cutting area. Keep clear of the discharge opening at all times.
- Operate the lawn mower only in daylight or good artificial light.
- Always wear safety glasses with side shields. Everyday glasses have only impact resistant lenses. They are NOT safety glasses. Following this rule will reduce the risk of eye injury. Use face mask if operation is dusty.
- Use safety glasses — Always wear eye protection with side shields marked to comply with ANSI Z87.1. Use face mask if operation is dusty.
- Use the right appliance — Do not use the lawn mower for any job except that for which it is intended.
- Do not force the lawn mower — It will do the job better and safer at the rate for which it was designed.
- Stay alert — Watch what you are doing and use common sense when operating the lawn mower. Do not operate the mower while tired, upset or under the influence of drugs, alcohol, or medication. A moment of inattention while operating the lawn mower may result in serious personal injury.
- Maintain lawn mower with care — Keep machine in good working condition. Keep blades sharp and guards in place and in working order. Replace damaged or unevenly worn blades before using mower for best performance.
- Check all nuts, bolts, and screws at frequent intervals for proper tightness to be sure the equipment is in safe working condition. Mower blades are sharp. Wrap the blade or wear gloves, and use extra caution when servicing them.
- Stop the motor, wait until the blade comes to a complete stop, and disconnect from power supply before cleaning the lawn mower, removing the grass catcher, or removing the mulching plug.
- Replace blade if it is bent or cracked. An unbalanced blade causes vibration that could damage the motor drive unit or cause personal injury. Sharpen a dull blade equally at each end to maintain the balance. Clean the blade thoroughly and check its balance by supporting it horizontally on a thin nail through its center hole. The nail should be in a horizontal position. If either end of the blade rotates downward, remove some metal from the heavy end of lower end until the blade is balanced. It is balanced when neither end drops.
- When not in use, mower should be stored indoors in a dry, locked up place—out of the reach of children. The extension cord should also be removed and stored in a separate location out of the reach of children.
- Always use safety protective devices. Do not operate the mower without the entire grass catcher, mulching plug and rear discharge door in place and working properly.
- Follow manufacturer's instructions for proper operation and installation of accessories. Only use accessories approved by the manufacturer.
- To reduce the risk of electric shock, this appliance has a polarized plug (one blade is wider than the other) and will require the use of a polarized extension cord. The appliance plug will fit into a polarized extension cord only one way. If the plug does not fit fully into the extension cord, reverse the plug. If the plug still does not fit, obtain a correct polarized extension cord. A polarized extension cord will require the use of a polarized wall outlet. This plug will fit into the polarized wall outlet only one way. If the plug does not fit fully into the wall outlet, reverse the plug. If the plug still does not fit, contact a qualified electrician to install the proper wall outlet. Do not change

# IMPORTANT SAFETY INSTRUCTIONS

the equipment plug, extension cord receptacle, or extension cord plug in any way.

- Ground Fault Circuit Interrupter (GFCI) protection should be provided on the circuit(s) or outlet(s) to be used for the lawn mower. Receptacles are available having built-in GFCI protection and may be used for this measure of safety.
- Inspect lawn mower cord periodically and if damaged, have it repaired by an authorized service facility. Inspect extension cords periodically and replace if damaged. Keep handles dry, clean, and free from oil and grease.
- Warning — To prevent electric shock use only with an extension cord suitable for outdoor use, such as SW, SOW, STW, STOW, SJW, SJOW, SJTW, or SJTOW.
- Extension Cord - Make sure your extension cord set is in good condition. When using an extension cord, be sure to use one heavy enough to carry the current your product will draw. For lengths less than 50 feet, No. 14 AWG extension cord should be used. An undersized cord will cause a drop in line voltage resulting in loss of power and overheating. To reduce the likelihood of disconnection of lawn mower cord from the cord set during operating use the cord retainer described in this manual (Figure 9).
- Under normal usage the catcher assembly is subject to deterioration and wear and should, therefore, be frequently checked for replacement. Only use identical replacement catcher assemblies.
- Don't Abuse Cord — Never pull lawn mower by cord or yank it to disconnect from receptacle. Keep cord from heat, oil, and sharp edges.
- Risk of death or serious personal injury if power lines or electric cords are contacted. Never operate mower over electrical sources, cords, or wires.
- Clear the work area before each use. Remove all objects such as rocks, tree nuts, sticks, metal, wire, bones, toys, or other objects which can be thrown by the blade. Stay behind the handle when the motor is running.
- Avoid holes, ruts, bumps, rocks, property stakes, or other hidden objects. Uneven terrain could cause a slip and fall accident.
- Do not mow near drop-offs, ditches, or embankments.
- Mow across the face of slopes, never up and down. Exercise extreme caution when changing direction on slopes.
- Plan your mowing pattern to avoid discharge of material toward roads, sidewalks, bystanders and the like. Also, avoid discharging material against a wall or obstruction, which may cause the material to ricochet back toward the operator.
- Do not mow on wet grass or excessively steep slopes. Poor footing could cause a slip and fall accident. Walk, never run.
- Use extra care when approaching blind corners, shrubs, trees, or other objects that may block your view.
- Do not pull the mower backward unless absolutely necessary. If you must back the mower away from a wall or obstruction, first look down and behind to avoid tripping or pulling the mower over your feet.
- Never direct discharged material toward anyone. Avoid discharging material against a wall or obstruction. Material may ricochet back toward the operator. Stop the blade when crossing gravel surfaces.
- Objects struck by the lawn mower blade can cause severe injuries to persons. The lawn should always be carefully examined and cleared of all objects prior to each mowing.
- If the lawn mower strikes a foreign object, follow these steps:
  - Stop the lawn mower by releasing the blade control lever, wait until the blade comes to a complete stop, and disconnect extension cord from power supply.
  - Thoroughly inspect the mower for any damage.
  - Replace the blade if it is damaged in any way. Repair any damage before restarting and continuing to operate the mower.
- Stop the motor, wait until the blade comes to a complete stop and disconnect extension cord from power supply before unclogging the chute. The cutting blade continues to rotate for a few seconds after the motor is shut off. Never place any part of the body in the blade area until you are sure the blade has stopped rotating.
- If the mower should start to vibrate abnormally, stop the motor, disconnect the extension cord from the power supply, and check immediately for the cause. Replace the blade if it is unevenly worn or damaged in any way. Vibration is generally a warning of trouble.
- Service on the product must be performed by qualified repair personnel only. Service or maintenance performed by unqualified personnel could result in injury to the user or damage to the product.
- Use only authorized replacement parts when servicing the product. Use identical replacement blades only. Use of unauthorized parts may create a risk of serious injury to the user, or damage to the product.
- Maintain or replace safety instructions labels, as necessary.
- Disconnect from power supply — Disconnect extension cord from power supply before storing, servicing, or changing accessories such as blades. Such preventive safety measures reduce the risk of starting the tool accidentally.
- Stop the unit and disconnect the extension cord from power supply when not in use. Carry or push the unit with the motor stopped and the extension cord disconnected from the power supply.






# IMPORTANT SAFETY INSTRUCTIONS











- Store idle lawn mower indoors — When not in use, mower should be stored indoors in a dry, locked place out of the reach of children. The extension cord should also be removed and stored in a separate location out of the reach of children.
- Follow instructions for lubricating and changing accessories.
- Keep guards in place and in working order.
- Keep blades sharp.
- Keep hands and feet away from cutting area.
- Only allow responsible adults, who are familiar with the instructions, to operate this machine.
- Never operate machine in a closed area.
- Never tamper with safety devices. Check for proper operation regularly.
- Save these instructions. Refer to them frequently and use them to instruct others who may use this product. If you loan someone this tool, loan them these instructions also.

# SYMBOLS

The following signal words and meanings are intended to explain the levels of risk associated with this product.



SYMBOL	SIGNAL	MEANING
	<b>DANGER:</b>	Indicates a hazardous situation, which, if not avoided, will result in death or serious injury.
	<b>WARNING:</b>	Indicates a hazardous situation, which, if not avoided, could result in death or serious injury.
	<b>CAUTION:</b>	Indicates a hazardous situation, that, if not avoided, may result in minor or moderate injury.
	<b>NOTICE:</b>	(Without Safety Alert Symbol) Indicates information considered important, but not related to a potential injury (e.g. messages relating to property damage).

Some of the following symbols may be used on this product. Please study them and learn their meaning. Proper interpretation of these symbols will allow you to operate the product better and safer.

SYMBOL	NAME	DESIGNATION/EXPLANATION
	Safety Alert	Indicates a potential personal injury hazard.
	Read Operator's Manual	To reduce the risk of injury, user must read and understand operator's manual before using this product.
	Eye Protection	Always wear eye protection with side shields marked to comply with ANSI Z87.1.
	Do Not Mow Over Electric Cords	Risk of death or serious personal injury if power lines or electric cords are contacted. Never operate mower over electrical sources, cords, or wires.
	Wet Conditions Alert	Do not expose to rain or use in damp locations.
	Electric Shock	Failure to use in dry conditions and to observe safe practices can result in electric shock.
	Keep Hands and Feet Away	Keep hands and feet away from blade and cutting area.
	No Reach	Do not reach hands or feet under mower deck.
	No Slope	Do not operate on inclines greater than 15°. Mow across the face of slopes, never up and down.
	Keep Children and Bystanders Away	Keep all children and bystanders at least 100 ft. away.

# SYMBOLS

Some of the following symbols may be used on this product. Please study them and learn their meaning. Proper interpretation of these symbols will allow you to operate the product better and safer.

SYMBOL	NAME	DESIGNATION/EXPLANATION
	Ricochet	Thrown objects can ricochet and result in personal injury or property damage.
V	Volts	Voltage
A	Amperes	Current
Hz	Hertz	Frequency (cycles per second)
W	Watt	Power
hrs	Hours	Time
~	Alternating Current	Type of current
	Class II Tool	Double-insulated construction

# ELECTRICAL

## DOUBLE INSULATION

Double insulation is a concept in safety in electric power tools, which eliminates the need for the usual three-wire grounded power cord. All exposed metal parts are isolated from the internal metal motor components with protecting insulation. Double insulated tools do not need to be grounded.

### **WARNING:**

The double insulated system is intended to protect the user from shock resulting from a break in the tool's internal insulation. Observe all normal safety precautions to avoid electrical shock.

**NOTE:** Servicing of a product with double insulation requires extreme care and knowledge of the system and should be performed only by a qualified service technician. For service, we suggest you return the tool to your nearest authorized service center for repair. Always use original factory replacement parts when servicing.

## ELECTRICAL CONNECTION

This product has a precision-built electric motor. It should be connected to a **power supply that is 120 volts, AC only (normal household current), 60 Hz**. A substantial voltage drop will cause a loss of power and the motor will overheat. If your product does not operate when plugged into an outlet, double-check the power supply.

## GFCI

Ground Fault Circuit Interrupter (GFCI) protection should be provided on the circuit(s) or outlet(s) to be used for the product. Receptacles are available having built-in GFCI protection and may be used for this measure of safety.

## EXTENSION CORDS

When using a power product at a considerable distance from a power source, be sure to use an extension cord that has the capacity to handle the current the product will draw. An undersized cord will cause a drop in line voltage, resulting in overheating and loss of power. Use the chart to determine the minimum wire size required in an extension cord. Only round jacketed cords listed by Underwriter's Laboratories (UL) should be used.

When working outdoors with a product, use an extension cord that is designed for outside use. This type of cord is designated with "W-A" or "W" on the cord's jacket such as an extension cord of cord type SW-A, SOW-A, STW-A, STOW-A, SJW-A, SJOW-A, SJTW-A. or SJTOW-A.

Before using any extension cord, inspect it for loose or exposed wires and cut or worn insulation.

Make sure the extension cord is securely attached as shown in Figure 9, then connect the plug end of the power cord into the receptacle end of the extension cord. Check that connection is secure.

\*\*Ampere rating (on product data plate)

Cord Length	Wire Size (A.W.G.)					
	0-2.0	2.1-3.4	3.5-5.0	5.1-7.0	7.1-12.0	12.1-16.0
25'	16	16	16	16	14	14
50'	16	16	16	14	14	12
100'	16	16	14	12	10	—

\*\*Used on 12 gauge - 20 amp circuit

**NOTE:** AWG = American Wire Gauge

### **WARNING:**

Keep the extension cord clear of the working area. Position the cord so that it will not get caught on lumber, tools, or other obstructions while you are working with a power tool. Failure to do so can result in serious personal injury.

### **WARNING:**

Check extension cords before each use. If damaged replace immediately. Never use product with a damaged cord since touching the damaged area could cause electrical shock resulting in serious injury.

To reduce the risk of electric shock, this appliance has a polarized plug (one blade is wider than the other) and will require the use of a polarized extension cord. The appliance plug will fit into a polarized extension cord only one way. If the plug does not fit fully into the extension cord, reverse the plug. If the plug still does not fit, obtain a correct polarized extension cord. A polarized extension cord will require the use of a polarized wall outlet. This plug will fit into the polarized wall outlet only one way. If the plug does not fit fully into the wall outlet, reverse the plug. If the plug still does not fit, contact a qualified electrician to install the proper wall outlet. Do not change the equipment plug, extension cord receptacle, or extension cord plug in any way.

### **WARNING:**

To reduce the risk of electric shock, use only with an extension cord intended for outdoor use, such as an extension cord of cord type SW-A, SOW-A, STW-A, STOW-A, SJW-A, SJOW-A, SJTW-A. or SJTOW-A.

# FEATURES

## PRODUCT SPECIFICATIONS

Motor ..... 120 V, AC only, 60 Hz, 13 Amps  
Cutting Path ..... 16 in.

Height Adjustments ..... .75 in. to 2.25 in.  
Wheel Size ..... 6 in. front, 8 in. rear

## KNOW YOUR LAWN MOWER

*See Figure 1.*

The safe use of this product requires an understanding of the information on the product and in this operator's manual as well as a knowledge of the project you are attempting. Before use of this product, familiarize yourself with all operating features and safety rules.

### ADJUSTABLE HANDLE HEIGHT

The handle features three different height adjustments.

### CARRYING HANDLE

The lawn mower has a carrying handle for easy transport.

### CORD RETAINER

A convenient cord retainer helps keep the extension cord connection secure during AC operation.

## GRASS CATCHER

The grass catcher collects grass clippings and prevents them from being discharged across your lawn as you mow.

## HEIGHT ADJUSTMENT LEVER

The height adjustment lever provides cutting height adjustments.

## MOTOR/BLADE CONTROL ASSEMBLY

The motor/blade control assembly, located on the upper handle of the mower, engages and disengages the motor and blade.

## MULCHING PLUG

Your mower is equipped with a mulching plug that covers the rear discharge opening, which allows the mower blade to cut and recut for finer clippings.

# ASSEMBLY

## UNPACKING

This product requires assembly.

- Carefully remove the product and any accessories from the box. Make sure that all items listed in the packing list are included.

### **WARNING:**

Do not use this product if any parts on the Packing List are already assembled to your product when you unpack it. Parts on this list are not assembled to the product by the manufacturer and require customer installation. Use of a product that may have been improperly assembled could result in serious personal injury.

- Inspect the product carefully to make sure no breakage or damage occurred during shipping.
- Do not discard the packing material until you have carefully inspected and satisfactorily operated the product.
- If any parts are damaged or missing, please call 1-800-860-4050 for assistance.

### **WARNING:**

If any parts are damaged or missing, do not operate this product until the parts are replaced. Use of this product with damaged or missing parts could result in serious personal injury.

### **WARNING:**

Do not attempt to modify this product or create accessories not recommended for use with this product. Any such alteration or modification is misuse and could result in a hazardous condition leading to possible serious personal injury.

### **WARNING:**

Do not connect to power supply until assembly is complete and you are ready to mow. Failure to comply could result in accidental starting and possible serious personal injury.

### **WARNING:**

To prevent accidental starting, do not make any adjustments or installations with the power supply connected. Accidental starting of the mower during assembly could result in serious personal injury.

### **WARNING:**

Never operate the mower without the proper safety devices in place and working. Never operate the mower with damaged safety devices. Operating the mower with missing or damaged parts can result in serious personal injury.

## PACKING LIST

Lawn Mower  
Upper Handle Assembly  
Lower Handle  
Mulching Plug  
Grass Catcher  
Lower Handle Locks (2)  
Lower Handle Lock Bolts (2)  
Upper Handle Lock Knobs (2)  
Upper Handle Lock Knob Bolts (2)  
Operator's Manual

## INSTALLING AND ADJUSTING HANDLE ASSEMBLY

See Figures 2 - 4.

### To install lower handle:

- Locate the lower handle locks and handle lock bolts.
- Place the upper handle assembly behind the mower as shown.
- Align the lower handle with the slot on the mower housing.  
**NOTE:** Make sure the power cord is located inside and on top of the handle.
- Insert the lower handle lock bolt through the lower handle lock and thread into the mower housing until the lower handle lock is approximately 1/4 in. from the mower housing.
- To secure the lower handle in place, close the lower handle locks.
- Repeat for other side.  
**NOTE:** If the lower handle is loose or does not seat completely in the slot, turn the lower handle locks clockwise to secure the handle.

### To install upper handle assembly:

- Position the upper handle assembly over the lower handle as shown, then insert the upper handle lock bolt through the holes in both handles.  
**NOTE:** The lower handle has three hole settings for height adjustment. Make sure you use the same height setting for each side.
- Thread the upper handle lock knob onto the lock bolt.
- Repeat for other side.

# ASSEMBLY

- Pull up on the upper handle to raise it into operating position. Make sure that the upper handle is seated in the grooves at the top of the lower handle.

## **DANGER:**

Do not allow any part of the power cord on the mower or extension cord to become pinched or trapped when assembling or raising the handles. A pinched live power cord can cause the handles to become electrically energized. Contact with electrically live conductive parts will result in death by electrocution, electric shock, and/or serious personal injury.

- To secure the upper handle in place, tighten the upper handle lock knobs.

**NOTE:** If the upper handle is loose or separated from the lower handle, tighten the knobs on the upper handle locks by turning them clockwise.

- Attach the lower cord clip to the lower handle. Install screw to secure.

### **To lower the handle assembly:**

- Loosen the upper handle lock knobs.

**NOTE:** Loosen the knobs on the upper handle by turning them counterclockwise.

- Lower the upper handle. Avoid pinching or trapping any power cords.
- Release the lower handle lock.
- Push outward on each side of the lower handle until it is free from the slot. Then, fold the handle to the front of the unit. Avoid pinching or trapping any power cords.

## **INSTALLING THE MULCHING PLUG (FOR MULCHING OPERATION)**

*See Figure 5.*

**NOTE:** When using the mulching plug, do not install the grass catcher.

- Disconnect power supply.

- Lift and hold the rear discharge door.
- Grasp the mulching plug by its handle and insert it at a slight angle, as shown.
- Push the mulching plug securely into place.
- Lower the rear discharge door.
- Connect to power supply when you are ready to mow.

## **INSTALLING THE GRASS CATCHER (FOR REAR BAGGING OPERATION)**

*See Figures 6 - 7.*

**NOTE:** When using the grass catcher, do not install the mulching plug.

- Disconnect power supply.
- Lift the rear discharge door.
- Lift the grass catcher by its handle and place under the rear discharge door so that the hooks on the grass catcher are seated onto the slots on the mower housing.
- Release the rear discharge door.
- Connect to power supply when you are ready to mow.

## **SETTING BLADE HEIGHT**

*See Figure 8.*

When shipped, the wheels on the mower are set to a low-cutting position. Before using the mower for the first time, raise the cutting position to the height best suited for your lawn. The average lawn should be between 1-1/2 in. to 2 in. during cool months and between 2 in. and 3-1/4 in. during hot months.

### **To adjust the blade height:**

- Disconnect power supply.
- To raise the blade height, press inward on the height adjustment lever and move it toward the back of the mower.
- To lower the blade height, press inward on the height adjustment lever and move it toward the front of the mower.
- Connect to power supply when you are ready to mow.

# OPERATION

## **DANGER:**

Risk of death by electrocution, electric shock, or serious personal injury if power lines or electric cords are contacted. Never operate mower over electrical sources, cords, or wires.

## **WARNING:**

Do not allow familiarity with products to make you careless. Remember that a careless fraction of a second is sufficient to inflict serious injury.

## **WARNING:**

Always wear eye protection with side shields marked to comply with ANSI Z87.1. Failure to do so could result in objects being thrown into your eyes resulting in possible serious injury.

## **WARNING:**

Do not use any attachments or accessories not recommended by the manufacturer of this product. The use of attachments or accessories not recommended can result in serious personal injury.

## **WARNING:**

Always inspect mower for missing or damaged parts and blade for damage, uneven, or excessive wear prior to use. Use of the mower with damaged or missing parts can result in serious personal injury.

## **WARNING:**

Always disconnect extension cord from power supply when you are assembling parts, making adjustments, cleaning, or when not in use. Following these instructions will prevent accidental starting that could cause serious personal injury.

## APPLICATIONS

You may use this product for the purpose listed below:

- Mowing your lawn

## **WARNING:**

To avoid accidental starting that could result in serious personal injury, always disconnect from power supply when moving or transporting the mower.

## INSTALLING / REMOVING EXTENSION CORD

See Figure 9.

- Insert the female end of the extension cord into the product as shown.
- Connect the male end of the extension cord to the power source.
- Make sure the extension cord is secured before beginning operation.

## **NOTICE:**

Always use cord retainer to properly attach extension cord to lawn mower. Failure to use cord retainer may result in damage to lawn mower and/or extension cord.

## STARTING / STOPPING THE MOWER

See Figures 9 - 10.

- Connect to power supply.
- Press and hold the start button. Pull the blade control lever toward the handle and release the button to start the mower.
- To stop the mower, release the blade control lever.

## MOWING TIPS

- Make sure the lawn is clear of stones, tree nuts, sticks, wires, and other objects that could damage the lawn mower blades or motor. Do not mow over property stakes or other metal posts. Such objects could damage the blade or be accidentally thrown by the mower in any direction and cause serious personal injury to the operator and others.
- For a healthy lawn, always cut off one-third or less of the total length of the grass.
- When cutting heavy grass, reduce walking speed to allow for more effective cutting and a proper discharge of the clippings.
- Do not cut wet grass. It will stick to the underside of the deck and prevent proper bagging or mulching of grass clippings.
- New or thick grass may require a narrower cut or a higher cutting height.
- Clean the underside of the mower deck after each use to remove grass clippings, leaves, dirt, and any other accumulated debris.

**NOTE:** Always stop mower, allow blades to completely stop, and disconnect power supply before cleaning underneath the mower.



# OPERATION

## SLOPE OPERATION

See Figure 11.

### **WARNING:**

Slopes are a major factor related to slip and fall accidents that can result in severe injury. Operation on slopes requires extra caution. If you feel uneasy on a slope, do not mow it. For your safety, do not attempt to mow slopes greater than 15 degrees.

- Mow across the face of slopes, not up and down. Exercise extreme caution when changing direction on slopes.
- Watch for holes, ruts, rocks, hidden objects, or bumps which can cause you to slip or trip. Tall grass can hide obstacles. Remove all objects such as rocks, tree limbs, etc., which could be tripped over or thrown by the blade.

- Always be sure of your footing. A slip and fall can cause serious personal injury. If you feel you are losing your balance, release the upper blade control lever immediately.
- Do not mow near drop-offs, ditches, or embankments; you could lose your footing or balance.

## EMPTYING THE GRASS CATCHER

See Figure 12.

- Stop the mower and allow blades to completely stop.
- Disconnect power supply.
- Lift the rear discharge door.
- Lift the grass catcher by its handle to remove from mower.
- Empty grass clippings.
- Lift the rear discharge door and reinstall the grass catcher as described earlier in this manual.
- Connect to the power supply when you are ready to mow.

# MAINTENANCE

## **WARNING:**

Before performing any maintenance, make sure the power supply is disconnected to avoid accidental starting and possible serious personal injury.

## **WARNING:**

Always wear eye protection with side shields marked to comply with ANSI Z87.1. Failure to do so could result in objects being thrown into your eyes resulting in possible serious injury.

## **WARNING:**

When servicing, use only authorized replacement parts. Use of any other parts can create a hazard or cause product damage.

## **NOTICE:**

Periodically inspect the entire product for damaged, missing, or loose parts such as screws, nuts, bolts, caps, etc. Tighten securely all fasteners and caps and do not operate this product until all missing or damaged parts are replaced. Please contact customer service or an authorized service center for assistance.

## **GENERAL MAINTENANCE**

Avoid using solvents when cleaning plastic parts. Most plastics are susceptible to damage from various types of commercial solvents and may be damaged by their use. Use clean cloths to remove dirt, dust, oil, grease, etc.

## **WARNING:**

Do not at any time let brake fluids, gasoline, petroleum-based products, penetrating oils, etc., come in contact with plastic parts. Chemicals can damage, weaken, or destroy plastic which can result in serious personal injury.

Remove any build-up of grass and leaves on or around the motor cover. Wipe the mower clean with a dry cloth occasionally. Do not use water.

## **LUBRICATION**

All of the bearings in this product are lubricated with a sufficient amount of high grade lubricant for the life of the unit under normal operating conditions. Therefore, no further bearing lubrication is required.

## **WARNING:**

Always protect hands by wearing heavy gloves and/or wrapping the cutting edges of the blade with rags and other material when performing blade maintenance. Contact with the blade could result in serious personal injury.

## **REPLACING THE CUTTING BLADE**

*See Figures 13 - 14.*

**NOTE:** Only use authorized replacement blades.

- Stop the motor. Allow blade to come to a complete stop.
- Disconnect the power supply.
- Turn the mower on its side.
- Wedge a block of wood between the blade and mower deck to prevent the blade from turning.
- Loosen the blade bolt by turning it counterclockwise (as viewed from bottom of mower) using a 15 mm wrench or socket (not provided).
- Remove the blade bolt and blade.
- Place the new blade onto the shaft. Ensure blade is properly seated with the two blade posts inserted into the holes on the blade. Make sure it is installed with the curved ends pointing up toward the mower deck and not down toward the ground. When seated properly, the blade should be flat against the shaft.
- Replace the blade, then thread the blade bolt into the shaft and finger tighten.  
**NOTE:** Make certain all parts are replaced in the exact order in which they were removed.
- Torque the blade bolt down clockwise using a torque wrench (not provided) to ensure the bolt is properly tightened. The recommended torque for the blade bolt is 350–400 in. lbs.

## **WARNING:**

Ensure blade is properly seated and the blade bolt is tightened to the torque specifications above. Failure to properly attach the blade could cause it to come loose or detach and result in possible serious personal injury.

## **STORING THE MOWER**

*See Figure 15.*

- Disconnect power supply, and store in a secure location out of the reach of children.
- Before storage, wipe any dirt or debris.
- Turn mower on its side and clean grass clippings that have accumulated on the underside of the mower deck.
- Wipe the mower clean with a dry cloth.
- Check all nuts, bolts, knobs, screws, fasteners, etc., for tightness.

## MAINTENANCE

- Inspect moving parts for damage, breakage, and wear. Have repairs made on any damaged or missing parts. Check blade for damage, uneven, or excessive wear and replace blade if these conditions exist.
- Store mower indoors in a clean, dry place out of the reach of children.
- Lower the handle assembly as described earlier in this manual.
- Do not store near corrosive materials such as fertilizer or rock salt.

## TROUBLESHOOTING

**IF THESE SOLUTIONS DO NOT SOLVE THE PROBLEM CONTACT YOUR AUTHORIZED SERVICE DEALER.**

PROBLEM	POSSIBLE CAUSE	SOLUTION
Handle not in position.	Handle locks not locked.	Lock upper and lower handle locks.
Mower not starting.	Power supply not connected.	Connect to power supply.
Mower cutting grass unevenly.	Lawn is rough or cutting height not set properly.	Adjust the cutting height.
Mower not mulching properly.	Wet grass clippings sticking to the underside of the deck.	Wait until the grass dries before mowing.
Mower hard to push.	High grass, rear of mower housing and blade dragging in heavy grass, or cutting height too low.	Raise cutting height.
Mower not bagging properly.	Cutting height set too low.	Raise cutting height.
Mower vibrating at higher speed.	Blade is unbalanced, excessively or unevenly worn. Bent motor shaft.	Replace the blade.  Stop the motor and disconnect power supply. Inspect for damage. Have repaired by an authorized service center before restarting.
Motor stops while cutting.	Cutting height set too low.	Raise the cutting height.

# WARRANTY

## LIMITED WARRANTY STATEMENT

Techtronic Industries North America, Inc., warrants to the original retail purchaser that this RYOBI® brand outdoor product is free from defect in material and workmanship and agrees to repair or replace, at Techtronic Industries North America, Inc.'s, discretion, any defective product free of charge within these time periods from the date of purchase.

- Three years if the product is used for personal, family or household use;
- 90 days, if used for any other purpose, such as commercial or rental.

This warranty extends to the original retail purchaser only and commences on the date of the original retail purchase.

Any part of this product found in the reasonable judgment of Techtronic Industries North America, Inc. to be defective in material or workmanship will be repaired or replaced without charge for parts and labor by an authorized service center for RYOBI® brand outdoor products (Authorized Ryobi Service Center).

The product, including any defective part, must be returned to an authorized Ryobi service center within the warranty period. The expense of delivering the product to the service center for warranty work and the expense of returning it back to the owner after repair or replacement will be paid by the owner. Techtronic Industries North America, Inc.'s, responsibility in respect to claims is limited to making the required repairs or replacements and no claim of breach of warranty shall be cause for cancellation or rescission of the contract of sale of any RYOBI® brand outdoor product. Proof of purchase will be required by the dealer to substantiate any warranty claim. All warranty work must be performed by an authorized service dealer.

This warranty is limited to ninety (90) days from the date of original retail purchase for any RYOBI® brand outdoor product that is used for rental or commercial purposes, or any other income-producing purpose.

This warranty does not cover any product that has been subject to misuse, neglect, negligence, or accident, or that has been operated in any way contrary to the operating instructions as specified in this operator's manual. This warranty does not apply to any damage to the product that is the result of improper maintenance or to any product that has been altered or modified. The warranty does not extend to repairs made necessary by normal wear or by the use of parts or accessories which are either incompatible with the RYOBI® brand outdoor product or adversely affect its operation, performance, or durability. In addition, this warranty does not cover:

- A. Tune-ups – Spark Plugs, Carburetor, Carburetor Adjustments, Ignition, Filters

- B. Wear items – Bump Knobs, Outer Spools, Cutting Lines, Inner Reels, Starter Pulleys, Starter Ropes, Drive Belts, Tines, Felt Washers, Hitch Pins, Mulching Blades, Blower Fans, Blower and Vacuum Tubes, Vacuum Bag and Straps, Guide Bars, Saw Chains

- C. This warranty does not cover the battery for more than three years from date of purchase.

Techtronic Industries North America, Inc., reserves the right to change or improve the design of any RYOBI® brand outdoor product without assuming any obligation to modify any product previously manufactured.

ALL IMPLIED WARRANTIES ARE LIMITED IN DURATION TO THE STATED WARRANTY PERIOD. ACCORDINGLY, ANY SUCH IMPLIED WARRANTIES INCLUDING MERCHANTABILITY, FITNESS FOR A PARTICULAR PURPOSE, OR OTHERWISE, ARE DISCLAIMED IN THEIR ENTIRETY AFTER THE EXPIRATION OF THE APPROPRIATE THREE-YEAR OR NINETY-DAY WARRANTY PERIOD. TECHTRONIC INDUSTRIES NORTH AMERICA, INC.'S, OBLIGATION UNDER THIS WARRANTY IS STRICTLY AND EXCLUSIVELY LIMITED TO THE REPAIR OR REPLACEMENT OF DEFECTIVE PARTS AND TECHTRONIC INDUSTRIES NORTH AMERICA, INC., DOES NOT ASSUME OR AUTHORIZE ANYONE TO ASSUME FOR THEM ANY OTHER OBLIGATION. SOME STATES DO NOT ALLOW LIMITATIONS ON HOW LONG AN IMPLIED WARRANTY LASTS, SO THE ABOVE LIMITATION MAY NOT APPLY TO YOU. TECHTRONIC INDUSTRIES NORTH AMERICA, INC., ASSUMES NO RESPONSIBILITY FOR INCIDENTAL, CONSEQUENTIAL, OR OTHER DAMAGES INCLUDING, BUT NOT LIMITED TO, EXPENSE OF RETURNING THE PRODUCT TO AN AUTHORIZED RYOBI SERVICE CENTER AND EXPENSE OF DELIVERING IT BACK TO THE OWNER, MECHANIC'S TRAVEL TIME, TELEPHONE OR TELEGRAM CHARGES, RENTAL OF A LIKE PRODUCT DURING THE TIME WARRANTY SERVICE IS BEING PERFORMED, TRAVEL, LOSS OR DAMAGE TO PERSONAL PROPERTY, LOSS OF REVENUE, LOSS OF USE OF THE PRODUCT, LOSS OF TIME, OR INCONVENIENCE. SOME STATES DO NOT ALLOW THE EXCLUSION OR LIMITATION OF INCIDENTAL OR CONSEQUENTIAL DAMAGES, SO THE ABOVE LIMITATION OR EXCLUSION MAY NOT APPLY TO YOU.

This warranty gives you specific legal rights, and you may also have other rights which vary from state to state.

This warranty applies to all RYOBI® brand outdoor products manufactured by or for Techtronic Industries North America, Inc., and sold in the United States and Canada.

To locate your nearest Authorized Ryobi Service Center, dial 1-800-860-4050.

# INSTRUCTIONS IMPORTANTES CONCERNANT LA SÉCURITÉ



## AVERTISSEMENT :

**LISEZ ET VEILLEZ À COMPRENDRE TOUTES LES INSTRUCTIONS.** Le non respect des instructions énumérées ci-dessous et sur la machine pourrait résulter en un choc électrique, un incendie, et/ou des blessures sérieuses.

## LISEZ TOUTES LES INSTRUCTIONS

- Cet outil coupant est capable d'amputer des mains et des pieds et projeter des objets. Le non respect de toutes les instructions de sécurité pourrait résulter en des blessures graves ou la mort.
- Éviter les environnements dangereux — N'utilisez pas la tondeuse dans un environnement mouillé ou humide et ne l'utilisez pas durant la pluie.
- Garder les enfants à l'écart — Garder les badauds, enfants et animaux domestiques à une distance minimum de 30,5 m (100 pi). Arrêter la machine si quelqu'un entre dans la zone.
- Des accidents tragiques peuvent survenir si l'opérateur n'est pas conscient de la présence des enfants. Les enfants sont souvent attirés par la machine et l'activité de tondaison. Ne prenez jamais pour acquis que les enfants resteront à l'endroit où vous les avez vus la dernière fois.
  - Assurez-vous que les enfants soient éloignés de la zone de coupe et qu'ils soient supervisés par un adulte autre que l'opérateur.
  - Soyez vigilant et éteignez la tondeuse si un enfant s'approche.
  - Ne permettez jamais à des enfants d'utiliser la machine.
  - Redoublez la prudence quand vous vous approchez des coins, des arbustes, des arbres ou d'autres objets qui peuvent masquer la présence d'un enfant.
- Porter une tenue appropriée — Porter des pantalons longs, manches longues, des chaussures de travail et des gants épais. Ne pas porter de vêtements amples, bijoux, shorts, sandales et ne pas travailler pieds nus. Ne porter aucun bijou. Ils peuvent être pris dans les parties en mouvement.
- Ne pas travailler hors de portée — Toujours se tenir bien campé et en équilibre. Le travail hors de portée risque de faire perdre l'équilibre.
- N'utilisez pas l'outil pieds nus ou si vous portez des sandales ou d'autres souliers légers de ce type. Portez des souliers de protection qui protégeront vos pieds et amélioreront votre équilibre sur des surfaces glissantes.
- Ne laissez pas la tondeuse sans surveillance quand elle est allumée ou branchement sur une prise secteur.
- Éloignez les mains et les pieds de la zone de coupe. Tenez vous éloigné de l'ouverture de décharge en tout temps.
- Utilisez la tondeuse seulement à la lumière du jour ou avec une bonne lumière artificielle.
- Toujours porter des lunettes de sécurité avec écrans latéraux. Les lunettes de vue ordinaires sont munies seulement de verres résistants aux impacts. Ce ne sont PAS des lunettes de sécurité. Le respect de cette règle réduira les risques de choc électrique. Utilisez une masque faciale si l'utilisation produit de la poussière.
- Porter des lunettes de sécurité — Toujours porter une protection oculaire munie d'écrans latéraux certifiée conforme à la norme ANSI Z87.1. Utilisez une masque faciale si l'utilisation produit de la poussière.
- Utilisez l'outil approprié — N'utilisez pas la tondeuse pour aucune tâche sauf celle pour laquelle elle est conçue.
- Ne forcez pas la tondeuse — Elle exécutera le travail mieux et de façon plus sécuritaire à la vitesse pour laquelle elle fut conçue.
- Restez vigilant — Regardez ce que vous faites et utilisez votre meilleur jugement lorsque vous utilisez la tondeuse. N'utilisez pas la tondeuse si vous êtes fatigué, contrarié ou sous influence de drogues, d'alcool ou de médicaments. Un moment d'inattention pendant l'utilisation de la tondeuse peut résulter en une blessure grave.
- Faire l'entretien de la tondeuse avec soins — Gardez l'outil en bon état. Assurez-vous que les lames soient affûtées et que les dispositifs de protections soient en place et en état de fonctionnement. Remplacer les lames endommagées ou usées de façon inégale avant d'utiliser la tondeuse d'obtenir un rendement optimal.
- Vérifiez fréquemment si tous les écrous, boulons et vis sont serrés pour s'assurer que l'équipement est sécuritaire. Les lames de tondeuse sont tranchantes. Envelopper la lame ou porter des gants et prendre beaucoup de précautions lors de l'entretien.
- Arrêter le moteur, attendre que la lame s'arrête complètement et déconnectez la fiche de la source de courant avant de nettoyer la tondeuse, d'enlever le collecteur d'herbe ou retrait du capuchon du broyeur.
- Remplacer la lame si elle est pliée ou fissurée. Une lame déséquilibrée provoque des vibrations qui peuvent endommager le moteur de l'appareil et provoquer des blessures. Affûter également les extrémités de la lame émoussée afin de maintenir l'équilibre. Nettoyer complètement la lame et vérifier son équilibre en la déposant à l'horizontale et en plaçant l'orifice du centre sur un petit clou. Le clou doit être placé à l'horizontale. Si l'une des extrémités de la lame tourne vers le bas, enlever un peu de métal de la partie épaisse inférieure de la lame jusqu'à ce que celle-ci soit équilibrée. Une lame équilibrée lorsqu'aucune extrémité n'est inclinée.
- Quand la tondeuse n'est pas utilisée, elle devrait être entreposée à l'intérieur, dans un endroit sec et sécuritaire — loin de la portée des enfants. La corde

# INSTRUCTIONS IMPORTANTES CONCERNANT LA SÉCURITÉ

- prolongateur doivent être retirés et rangés dans un autre endroit et hors de la portée des enfants.
- Toujours, utiliser des dispositifs de protection. N'utilisez pas la tondeuse sans le collecteur d'herbe, le capuchon du broyeur et porte arrière de décharge en place et fonctionne correctement.
  - Suivez les instructions du fabricant relatives à l'installation et l'utilisation des accessoires. Utilisez seulement des accessoires approuvés par le fabricant.
  - Pour réduire le risque de décharge électrique, ce produit est muni d'une fiche polarisée (une lame plus large que l'autre) devant être utilisée avec un cordon prolongateur polarisé. La clavija del artefacto encaja en el cordón de extensión polarizado solo en una dirección. Si la fiche ne s'insère pas complètement dans le cordon prolongateur, l'inverser. Si la fiche ne peut toujours pas être insérée, se procurer un cordon prolongateur polarisé approprié. Un cordon prolongateur polarisé exige l'utilisation d'une prise murale polarisée. Cette fiche peut être branchée à une prise murale polarisée d'une seule façon. Si la fiche ne s'insère pas complètement dans la prise, l'inverser. Si la fiche ne peut toujours pas être insérée, faire installer une prise murale adéquate par un électricien qualifié. Ne modifier en aucune façon la prise de l'appareil, le réceptacle du cordon prolongateur ou la fiche du cordon prolongateur.
  - Les circuits utilisés avec la tondeuse devraient être munis d'un interrupteur de défaut à la terre. Des connecteurs avec un interrupteur de défaut à la terre sont disponibles et peuvent être utilisés pour satisfaire à cette mesure de sécurité.
  - Inspecter périodiquement le cordon d'alimentation du tondeuse. Si celui-ci est endommagé, le faire réparer à un centre de service autorisé. Inspecter régulièrement les cordons prolongateurs et les remplacer s'ils sont endommagés. Garder les mains propres, sèches, sans graisse ou lubrifiant.
  - Avertissement — Pour réduire le risque de décharge électrique, utiliser seulement avec un cordon prolongateur conçu pour être utilisé à l'extérieure comme un cordon prolongateur portant les caractéristiques SW, SOW, STW, STOW, SJW, SJOW, SJTW, ou SJTOW.
  - Cordon prolongateur — S'assurer que le cordon prolongateur est en bon état. Si un cordon prolongateur est utilisé, s'assurer que sa capacité est suffisante pour supporter le courant de fonctionnement de l'outil. Une rallonge avec un calibre de fils américain de 14 devrait être utilisée pour des longueurs inférieures à 15,2 m (50 pi). Un cordon de capacité insuffisante causerait une baisse de la tension de ligne, entraînant une perte de puissance et une surchauffe. Utiliser un dispositif de retenue de cordon pour diminuer le débranchement fréquent du cordon et de la fiche de la tondeuse à gazon pendant son utilisation. (Figure 9).
  - Dans des conditions normales d'utilisation, le sac à herbe est sujet à la détérioration et l'usure et doit être vérifié fréquemment pour le remplacement. Utiliser seulement les assemblages de bac à herbe de remplacement identiques.
  - Ne pas maltraiter le cordon d'alimentation - Ne jamais tirer ou débrancher brusquement la fiche de la prise de la tondeuse à gazon. Garder le cordon à l'écart de la chaleur, de l'huile et des objets tranchants.
  - Un contact peut se produire entre les fils ou les câbles électriques et représente un risque de blessures graves ou mortelles. Ne jamais passer la tondeuse sur des sources, câbles ou fils électriques.
  - Nettoyez la zone de travail avant chaque utilisation. Enlevez tous les objets tels que les roches, noix d'arbres, les branches, métal, les fils, les os, les jouets et d'autres objets qui peuvent être projetés par la lame. Restez en arrière de la poignée quand le moteur est en marche.
  - Évitez les trous, les ornières, les roches, bornes de propriété ou d'autres objets cachés. Un terrain accidenté pourrait provoquer un glissement et vous faire tomber par accident.
  - Ne tondez pas près des dépressions, fossés ou des berges.
  - Tondez les pentes dans le sens transversal, jamais en montant ou en descendant. Soyez particulièrement prudent lors des changements de direction sur les terrains en pente.
  - Planifiez le parcours de la tondeuse pour éviter d'éjecter les matériaux sur les routes, les trottoirs, les passants, etc. Évitez également d'éjecter les matériaux sur un mur ou une obstruction ce qui pourrait causer un matériau d'être projeté par ricochet en direction de l'opérateur.
  - Ne tondez pas l'herbe mouillée ou sur des pentes excessivement raides. Une mauvaise position peut vous faire glisser et tomber par accident. Marchez, ne courez jamais.
  - Redoublez la prudence si vous vous approchez des coins, des arbustes, des arbres ou d'autres objets qui vous cachent la vue.
  - Ne tirez jamais la tondeuse vers l'arrière à moins que cela soit absolument nécessaire. Si vous devez tirer la tondeuse pour éviter un mur ou une obstruction, commencez par regarder en bas et en arrière pour ne pas trébucher o tirando la podadora hacia los pies.
  - N'éjectez jamais du matériel en direction de quelqu'un. Évitez d'éjecter le matériel sur un mur ou une obstruction. Le matériel pourrait être projeté par ricochet en direction de l'opérateur. Arrêtez la lame quand vous traversez des surfaces recouvertes de gravier.
  - Des objets frappés par la lame de la tondeuse peuvent causer des sérieuses blessures. La pelouse devrait




# INSTRUCTIONS IMPORTANTES CONCERNANT LA SÉCURITÉ

toujours être examinée attentivement et nettoyée de tout objet avant la tondaison.










- Si la tondeuse frappe un objet étranger, suivez ces étapes :
  - Arrêter la tondeuse en relâchant l'levier de commande de la lame, attendre que la lame s'arrête complètement et débranchez la tondeuse de la source de courant.
  - Inspectez attentivement la tondeuse pour desceller les dommages.
  - Remplacer la lame si elle est endommagée de quelque façon que ce soit Réparez tout dommage avant de démarrer et de continuer à utiliser la tondeuse.
- Arrêter le moteur, attendre que la lame s'arrête complètement et débranchez la tondeuse de la source de courant avant de déboucher la goulotte. La lame continue de tourner pendant quelques secondes après que le moteur soit arrêté. Ne mettez jamais aucune partie du corps dans la proximité de la lame avant d'être certain que la lame a cessé de tourner.
- Si la tondeuse commence à vibrer de façon anormale, arrêtez le moteur, débranchez la tondeuse de la source de courant et vérifiez immédiatement la cause. Remplacer la lame si elle est usée de façon inégale ou endommagée de quelque façon que ce soit. La vibration est généralement un signe d'un problème.
- Le produit doit être réparé par un personnel qualifié seulement. Des réparations ou l'entretien effectués par un personnel non qualifié pourrait résulter en des blessures pour l'utilisateur ou endommager le produit.
- Lors de réparation du produit, utilisez uniquement des pièces de remplacement identiques. Utiliser uniquement des lames de rechange identiques. L'utilisation des pièces non autorisées peut créer un risque d'une blessure sérieuse à l'utilisateur ou endommager le produit.
- Conserver ou remplacer les étiquettes d'instructions de sécurité, si nécessaire.
- Débrancher la fiche de la source de courant et retirer la clé de démarrage — Débrancher l'appareil de la source d'alimentation avant d'entreposer, d'effectuer l'entretien, ou de changer les accessoires comme la lame. Ces mesures de sécurité réduisent les risques de démarrage accidentel de l'outil.
- Arrêter l'produit, déconnectez la fiche de la source de courant lorsqu'il n'est pas utilisé. Attendre ou mettre l'arrêt complet du moteur avant de déplacer l'produit.
- Ranger les appareils qui ne sont pas utilisés à l'intérieur – lorsque la tondeuse n'est pas utilisé, le ranger à l'intérieur dans un endroit sec et verrouillé hors de la portée des enfants. La cordon prolongateur doivent être retirés et rangés dans un autre endroit et hors de la portée des enfants.
- Suivre les instructions de lubrification et de changement d'accessoires.
- Maintenir les dispositifs de protection en place et en bon état de fonctionnement.
- Garder les lames affûtées.
- Éloigner les mains et les pieds de la zone de coupe.
- Faire fonctionner cet appareil ne doit être permis qu'aux adultes responsables et familiers avec les instructions.
- Ne jamais faire fonctionner l'appareil dans un endroit clos.
- Ne jamais modifier les dispositifs de sécurité. Vérifier périodiquement l'état de fonctionnement.
- Conserver ces instructions. Les consulter fréquemment et les utiliser pour instruire les autres utilisateurs éventuels. Si cet outil est prêté, il doit être accompagné de ces instructions.

# SYMBOLES

Les termes de mise en garde suivants et leur signification ont pour but d'expliquer le degré de risques associé à l'utilisation de ce produit.

SYMBOLE	SIGNAL	SIGNIFICATION
	<b>DANGER :</b>	Indique une situation dangereuse qui, si elle n'est pas évitée, aura pour conséquences des blessures graves ou mortelles.
	<b>AVERTISSEMENT :</b>	Indique une situation dangereuse qui, si elle n'est pas évitée, pourrait entraîner des blessures graves ou mortelles.
	<b>ATTENTION :</b>	Indique une situation dangereuse qui, si elle n'est pas évitée, pourrait entraîner des blessures légères ou de gravité modérée.
	<b>AVIS :</b>	(Sans symbole d'alerte de sécurité) Indique les informations jugées importantes sans toutefois représenter un risque de blessure (ex. : messages concernant les dommages matériels).




Certains des symboles ci-dessous peuvent être utilisés sur produit. Veiller à les étudier et à apprendre leur signification. Une interprétation correcte de ces symboles permettra d'utiliser produit plus efficacement et de réduire les risques.

SYMBOLE	NOM	DÉSIGNATION / EXPLICATION
	Symbole d'alerte de sécurité	Indique un risque de blessure potentiel.
	Lire manuel d'utilisation	Pour réduire les risques de blessures, l'utilisateur doit lire et veiller à bien comprendre le manuel d'utilisation avant d'utiliser ce produit.
	Protection oculaire	Toujours porter une protection oculaire munie d'écrans latéraux certifiée conforme à la norme ANSI Z87.1.
	Ne jamais tondre le gazon en passant sur les câbles électriques.	Un contact peut se produire entre les fils ou les câbles électriques et représente un risque de blessures graves ou mortelles. Ne jamais passer la tondeuse sur des sources, câbles ou fils électriques.
	Avertissement concernant l'humidité	Ne pas exposer à la pluie ou l'humidité.
	Choc électrique	Ne pas utiliser la machine dans un endroit sec ou ne pas respecter les pratiques de sécurité peut entraîner un choc électrique.
	Garder les mains et les pieds à l'écart	Garder les mains et les pieds à l'écart de la lame et de la zone de coupe.
	Se tenir loin	Ne pas mettre ses mains ou ses pieds en dessous du châssis de la tondeuse.
	Éviter les pentes	Ne pas utiliser sur des pentes de plus de 15°. Tondre les pentes dans le sens transversal, jamais en montant ou en descendant.



# SYMBOLES

Certains des symboles ci-dessous peuvent être utilisés sur produit. Veiller à les étudier et à apprendre leur signification. Une interprétation correcte de ces symboles permettra d'utiliser produit plus efficacement et de réduire les risques.

SYMBOLE	NOM	DÉSIGNATION / EXPLICATION
	Tenir les enfants et les curieux à bonne distance	Tenir les enfants et les curieux à une distance de 30,5 m (100 pi) au moins.
	Ricochet	Les objets projetés peuvent ricocher et infliger des blessures ou causer des dommages matériels.
V	Volts	Tension
A	Ampères	Intensité
Hz	Hertz	Fréquence (cycles par seconde)
W	Watt	Puissance
hrs	Heures	Durée
~	Courant alternatif	Type de courant
	Construction de classe II	Construction à double isolation

# CARACTÉRISTIQUES ÉLECTRIQUES

## DOUBLE ISOLATION

La double isolation est un dispositif de sécurité utilisé sur les outils à moteur électriques, éliminant le besoin de cordon d'alimentation habituel à trois fils avec terre. Toutes les pièces métalliques exposées sont isolées des composants internes du moteur par l'isolation protectrice. Les produits à double isolation ne nécessitent pas de mise à la terre.

### AVERTISSEMENT :

Le système à double isolation est conçu pour protéger l'utilisateur contre les chocs électriques causés par une rupture de l'isolation interne de l'outil. Prendre toutes les précautions de sécurité normales pour éviter les chocs électriques.

**NOTE :** La réparation d'un produit à double isolation exigeant des précautions extrêmes ainsi que la connaissance du système, elle ne doit être confiée qu'à un réparateur qualifié. En ce qui concerne les réparations, nous recommandons de confier l'produit au centre de réparation le plus proche. Utiliser exclusivement des pièces d'origine pour les réparations.

## CONNEXIONS ÉLECTRIQUES

Cet produit est équipé d'un moteur électrique de précision. Elle doit être branchée uniquement sur une **alimentation 120 V, c.a. (courant résidentiel standard), 60 Hz**. Une baisse de tension considérable peut causer une perte de puissance et provoquer la surchauffe du moteur. Si l'produit ne fonctionne pas une fois branché, vérifier l'alimentation électrique.

## GFCI

Les circuits et prises sur lesquels cet produit est branché doivent être protégés par un disjoncteur différentiel. Des prises à disjoncteur différentiel sont en vente dans le commerce et peuvent être utilisées à titre de sécurité.

## CORDONS PROLONGATEURS

Lors de l'utilisation d'un produit électrique à grande distance d'une prise secteur, veiller à utiliser un cordon prolongateur d'une capacité suffisante pour supporter l'appel de courant de l'produit. Un cordon de capacité insuffisante causerait une baisse de la tension de ligne, entraînant une perte de puissance et une surchauffe. Se reporter au tableau ci-dessous pour déterminer le calibre minimum de fil requis pour un cordon donné. Utiliser exclusivement des cordons à gaine cylindrique homologués par Underwriter's Laboratories (UL).

Pour le travail à l'extérieur, utiliser un cordon prolongateur spécialement conçu à cet effet. Ce type de cordon porte l'inscription « SW-A, SOW-A, STW-A, STOW-A, SJW-A, SJOW-A, SJTW-A ou SJTOW-A » sur sa gaine.

Avant d'utiliser un cordon prolongateur, vérifier que ses fils ne sont ni détachés ni exposés et que son isolation n'est ni coupée, ni usée.

S'assurer que le cordon prolongateur sont fixés fermement, comme montré à l'illustration 9, puis brancher la fiche du cordon d'alimentation dans le réceptacle du cordon prolongateur. Vérifiez que la connexion est sécurisée.

\*\*Intensité nominale (sur la plaquette signalétique de l'produit)

0-2,0 2,1-3,4 3,5-5,0 5,1-7,0 7,1-12,0 12,1-16,0

Longueur du cordon	Calibre de fil (A.W.G.)					
	16	16	16	16	14	14
25'	16	16	16	16	14	14
50'	16	16	16	14	14	12
100'	16	16	14	12	10	—

\*\*Utilisé sur circuit de calibre 12 – 20 A

**NOTE :** AWG = American Wire Gauge

### AVERTISSEMENT :

Maintenir le cordon prolongateur à l'écart de la zone de travail. Lors du travail avec un cordon électrique, placer le cordon de manière à ce qu'il ne risque pas de se prendre dans les pièces de bois, produits et autres obstacles. Ne pas prendre cette précaution peut entraîner des blessures graves.

### AVERTISSEMENT :

Vérifier l'état des cordons prolongateurs avant chaque utilisation. Remplacer immédiatement tout cordon endommagé. Ne jamais utiliser un produit dont le cordon d'alimentation est endommagé, car tout contact avec la partie endommagée pourrait causer un choc électrique et des blessures graves.

Pour réduire le risque de décharge électrique, ce produit est muni d'une fiche polarisée (une lame plus large que l'autre) devant être utilisée avec un cordon prolongateur polarisé. La fiche de l'appareil peut être branchée à un cordon prolongateur polarisé d'une seule façon. Si la fiche ne s'insère pas complètement dans le cordon prolongateur, l'inverser. Si la fiche ne peut toujours pas être insérée, se procurer un cordon prolongateur polarisé approprié. Un cordon prolongateur polarisé exige l'utilisation d'une prise murale polarisée. Cette fiche peut être branchée à une prise murale polarisée d'une seule façon. Si la fiche ne s'insère pas complètement dans la prise, l'inverser. Si la fiche ne peut toujours pas être insérée, faire installer une prise murale adéquate par un électricien qualifié. Ne modifier en aucune façon la prise de l'appareil, le réceptacle du cordon prolongateur ou la fiche du cordon prolongateur.

### AVERTISSEMENT :

Pour réduire le risque de décharge électrique, utiliser seulement avec un cordon prolongateur conçu pour être utilisé à l'extérieur comme un cordon prolongateur portant les caractéristiques SW-A, SOW-A, STW-A, STOW-A, SJW-A, SJOW-A, SJTW-A ou SJTOW-A.

# CARACTÉRISTIQUES

## CARACTÉRISTIQUES DU PRODUIT

Moteur ..... 120 V, c.a. seulement, 60 Hz, 13,0 A  
Chemin de coupe ..... 406,4 mm (16 po)

Réglages de la hauteur ..... 20 mm à 60 mm  
(0,75 po à 2,25 po)  
Grandeur des roues ..... 152,4 mm (6 po) en avant  
203,2 mm (8 po) en arrière

## APPRENEZ À CONNAÎTRE VOTRE TONDEUSE

*Voir la figure 1.*

L'utilisation sécuritaire de ce produit nécessite une compréhension de l'information sur le produit et dans le manuel de l'utilisation ainsi que la connaissance du projet à effectuer. Avant d'utiliser ce produit, familiarisez-vous avec toutes les fonctions d'utilisation et les règles de sécurité.

### HAUTEUR DE LA POIGNÉE RÉGLABLE

La poignée comprend trois réglages d'hauteur différents.

### POIGNÉE DE TRANSPORT

La tondeuse comporte une poignée qui facilite le transport.

### RETENUE DE CORDON

Une retenue de cordon pratique contribue au maintien en toute sécurité de la connexion du cordon prolongateur lors du fonctionnement de la taille-bordures à ligne.

## COLLECTEUR D'HERBE

Le collecteur d'herbe recueille les brins d'herbe et empêche qu'ils soient éparpillés sur le gazon au moment de la tonte.

## LEVIER DE RÉGLAGE DE LA HAUTEUR

Le levier de réglage de la hauteur permet d'effectuer des réglages de la hauteur.

## DISPOSITIF DE COMMANDE DU MOTEUR/DE LA LAME

Le dispositif de commande du moteur/lame situé sur la poignée supérieure de la tondeuse démarre et arrête le moteur et la lame.

## INSERT BROYEUR

La tondeuse est équipée d'un insert broyeur qui recouvre l'ouverture de décharge arrière, et qui permet de couper et de recouper l'herbe pour produire des brins plus fins.

# ASSEMBLAGE

## DÉBALLAGE

Ce produit nécessite l'assemblage.

- Retirez prudemment l'outil et les accessoires de la boîte. Assurez-vous que tous les articles énumérés dans la liste de colisage sont inclus.

### AVERTISSEMENT :

Ne pas utiliser le produit si, en le déballant, vous constatez que des éléments figurant dans la liste d'expédition sont déjà assemblés. Certaines pièces figurant sur cette liste n'ont pas été assemblées par le fabricant et exigent une installation. Le fait d'utiliser un produit qui a été assemblé de façon inadéquate peut entraîner des blessures.

- Vérifiez attentivement si l'outil n'a pas subi des dommages ou des bris pendant le transport.
- Ne jetez pas l'emballage avant d'avoir inspecté l'outil et avant d'avoir vérifié s'il fonctionne correctement.
- Si des pièces sont manquantes ou endommagées, veuillez appeler au 1-800-860-4050 pour obtenir de l'aide.

### AVERTISSEMENT :

Si des pièces manquent ou sont endommagées, ne pas utiliser ce produit avant qu'elles aient été remplacées. Le fait d'utiliser ce produit même s'il contient des pièces endommagées ou s'il lui manque des pièces peut entraîner des blessures graves.

### AVERTISSEMENT :

N'essayez pas de modifier cet outil ou de créer des accessoires non recommandés pour utilisation avec ce produit. Toute transformation ou modification de ce genre est un cas de mauvais usage qui peut créer des risques de blessures graves.

### AVERTISSEMENT :

Ne connecte la fiche de la source de courant compléter l'assemblage vous êtes prêt à tonte. Le non respect de cet avertissement pourrait résulter en un démarrage accidentel et des blessures corporelles graves.

### AVERTISSEMENT :

Pour empêcher commencer accidentel, ne pas faire d'ajustement ou des installations avec connecte la fiche de la source de courant. Le démarrage accidentel de la tondeuse pendant l'assemblage peut entraîner des blessures graves.

### AVERTISSEMENT :

N'utilisez jamais la tondeuse sans les dispositifs de sécurité appropriés en place et en état de marche. N'utilisez jamais la tondeuse si les dispositifs de sécurité sont endommagés. Le fait d'utiliser la tondeuse si des pièces sont manquantes ou endommagées peut entraîner des blessures graves.

## LISTE D'EXPÉDITION

Tondeuse

Assemblage de la poignée supérieure

Poignée inférieure

Insert broyeur

Collecteur d'herbe

Verrou de la poignée inférieure (2)

Boulon de verrou de la poignée inférieure (2)

Bouton de verrou de la poignée supérieure (2)

Boulon de verrou de la poignée supérieure (2)

Manuel d'utilisation

## INSTALLATION ET AJUSTEMENT

### L'ASSEMBLAGE DE POIGNÉE

*Voir les figures 2 à 4.*

#### Pour installer la poignée inférieure :

- Localiser les verrous de la poignée inférieure et les boulons de verrouillage de la poignée.
- Placer l'assemblage de la poignée supérieure derrière la tondeuse comme indiqué.
- Aligner la poignée inférieure avec l'encoche dans le carter de la tondeuse.

**NOTE :** S'assurer que le cordon d'alimentation est à l'intérieur et par-dessus la poignée.

- Insérer le boulon de verrouillage de la poignée inférieure dans le verrou de la poignée inférieure et enfilez sur le corps de la tondeuse jusqu'à ce que le verrou de la poignée inférieure soit à environ 6,35 mm (1/4 po) du corps de la tondeuse.
- Fermer les verrous de la poignée inférieure pour fixer solidement la poignée en place.
- Répéter pour l'autre côté.

**NOTE :** Si la poignée inférieure est lâche ou ne repose pas complètement dans la fente, tourner les verrous de la poignée inférieure dans le sens aux aiguilles d'une montre pour fixer solidement la poignée.

#### Pour installer l'assemblage de poignée supérieure :

- Placer l'assemblage de la poignée supérieure par-dessus la poignée inférieure comme indiqué et insérer le boulon de verrouillage de la poignée supérieure dans les trous des deux poignées.

# ASSEMBLAGE

**NOTE :** La poignée inférieure comprend trois trous de réglage pour ajuster la hauteur. S'assurer d'utiliser la même hauteur pour chaque côté.

- Enfiler le bouton du verrou de la poignée supérieure sur le boulon de verrouillage.
- Répéter pour l'autre côté.
- Tirer la poignée supérieure vers le haut pour la soulever en position de fonctionnement. S'assurer que la poignée supérieure repose contre les rainures situées au haut de la poignée inférieure.

## DANGER :

Ne pas permettre au cordon d'alimentation de la tondeuse ou le rallonge de devenir pincés ou coincés lors de l'assemblage ou le soulèvement des poignées. Un cordon d'alimentation sous tension pincé peut produire une alimentation électrique aux poignées. Le contact avec des pièces conductrices d'alimentation électrique peut entraîner la mort par l'électrocution, un choc électrique et/ou des blessures graves.

- Serrer les boutons de verrouillage de la poignée supérieure pour fixer solidement la poignée supérieure en place.

**NOTE :** Si la poignée supérieure est lâche ou se sépare de la poignée inférieure, serrez les boutons de verrouillage de la poignée supérieure en les tournant dans le sens des aiguilles d'une montre.

- Fixer l'attache du cordon inférieur sur la poignée inférieure. Installer la vis pour le fixer fermement.

### Pour abaisser l'assemblage de poignées :

- Desserrer les boutons de verrouillage de la poignée supérieure.

**NOTE :** Desserrer les boutons de verrouillage de la poignée supérieure en les tournant dans le sens contraire aux aiguilles d'une montre.

- Abaisser la poignée supérieure. Éviter de pincer ou de coincer les câbles.
- Déclenchement le verrou de la poignée inférieure.
- Pousser les deux côtés de la poignée inférieure vers l'extérieur jusqu'à ce qu'elle se dégage de la fente. Puis, plier la poignée vers l'avant de l'appareil. Éviter de pincer ou de coincer les câbles.

## INSTALLATION DE L'INSERT BROYEUR (POUR LE DÉCHIQUETAGE)

*Voir la figure 5.*

**NOTE :** Lorsque vous utilisez le dispositif de paillage n'installez pas le dispositif de paillage.

- Débrancher l'outil de la source d'alimentation.
- Soulever le couvercle de la décharge arrière et le maintenir en place.
- Saisir le déflecteur pour déchiquetage par sa poignée et l'insérer à un angle faible, tel qu'illustré.
- Pousser solidement le déflecteur pour déchiquetage en place.
- Relâchez le couvercle de la décharge arrière.
- Réinstaller la source d'alimentation dès le moment de la tonte.

## INSTALLATION DU COLLECTEUR D'HERBE (POUR ARRIÈRE UTILISATION D'ENSACHAGE)

*Voir les figures 6 et 7.*

**NOTE :** En utilisant le collecteur d'herbe, ne pas installer le l'insert broyeur.

- Débrancher l'outil de la source d'alimentation.
- Levez le couvercle d'éjection arrière.
- Levez le collecteur d'herbe par sa poignée et mettez-le couvercle d'éjection arrière de façon à ce que les crochets sur le collecteur d'herbe s'appuient sur la boîte de la tondeuse.
- Relâchez le couvercle d'éjection arrière.
- Réinstaller la source d'alimentation dès le moment de la tonte.

## RÉGLAGE DE LA HAUTEUR DE LA LAME

*Voir la figure 8.*

Pour l'expédition, les roues de la tondeuse sont réglées à la position de coupe au ras de sol. Avant d'utiliser la tondeuse pour la première fois, réglez la position de coupe à la hauteur la mieux adaptée à votre pelouse. Une pelouse moyenne devrait avoir de 38 mm à 51 mm (1-1/2 po à 2 po) pendant les mois de temps froid et entre 51 et 83 mm (2 po à 3-1/4 po) pendant les mois de temps chaud.

### Pour régler la hauteur de la lame :

- Débrancher l'outil de la source d'alimentation.
- Pour augmenter la hauteur de la lame, attrapez le levier de réglage de la hauteur et poussez-le vers l'arrière de la tondeuse.
- Pour diminuer la hauteur de la lame, attrapez le levier de réglage de la hauteur et poussez-le vers l'avant de la tondeuse.
- Réinstaller la source d'alimentation dès le moment de la tonte.

# UTILISATION

## DANGER :

Le contact avec des lignes électriques ou des cordons électriques peut entraîner des blessures graves ou un décès. N'utilisez jamais la tondeuse sur de sources électriques, cordons ou câbles.

## AVERTISSEMENT :

Ne laissez pas la familiarité tirée d'une utilisation fréquente de ce type de produit atténuer votre vigilance. Souvenez-vous qu'une fraction de seconde d'inattention suffit à infliger des blessures graves.

## AVERTISSEMENT :

Toujours porter une protection oculaire munie d'écrans latéraux certifiée conforme à la norme ANSI Z87.1. Si cette précaution n'est pas prise, des objets peuvent être projetés dans les yeux et causer des lésions graves.

## AVERTISSEMENT :

N'utilisez aucun ajout ni accessoire non-recommandé par le fabricant de ce produit. L'utilisation des ajouts ou des accessoires non recommandés pourrait résulter en des blessures corporelles graves.

## AVERTISSEMENT :

Inspecter le produit afin de s'assurer qu'aucune pièce et la lame est endommagée ou si elle est usée de façon inégale ou excessive. Le fait d'utiliser la tondeuse si des pièces sont manquantes ou endommagées peut entraîner des blessures graves.

## AVERTISSEMENT :

Toujours retirer la cordon prolongateur de l'outil au moment d'assembler des pièces, d'effectuer des réglages et de procéder au nettoyage, ou lorsque l'outil n'est pas utilisé, pour empêcher un démarrage accidentel pouvant entraîner des blessures graves.

## APPLICATIONS

Vous pouvez utiliser cet outil pour les tâches énumérées ci-dessous:

- Tondaison de votre pelouse

## AVERTISSEMENT :

Pour éviter le démarrage accidentel pouvant causer des blessures graves, toujours débranchez le cordon d'alimentation lors du déplacement ou du transport de la tondeuse.

## INSTALLATION / RETRAIT DU CORDON PROLONGATEURS

Voir la figure 9.

- Insérer la partie femelle du cordon d'alimentation dans le produit, comme illustré.
- Raccorder la fiche du cordon d'alimentation dans une source d'énergie.
- S'assurer que le cordon d'alimentation est raccordé correctement avant d'allumer la tondeuse.

## AVIS :

Toujours utiliser un dispositif de retenue de cordon retenir correctement la rallonge à la tondeuse à gazon. Ne pas utiliser le dispositif de retenue de cordon représente un risque de bris de la tondeuse à gazon et/ou de la rallonge.

## DÉMARRAGE / ARRÊT DE LA TONDEUSE

Voir les figures 9 et 10.

- Brancher le cordon d'alimentation.
- Appuyer sur le bouton « Start » (Démarrer). Tirer l'levier vers la poignée et relâcher le bouton pour démarrer la tondeuse.
- Pour arrêter la tondeuse, relâcher l'levier.

## CONSEILS DE TONDAISON

- Assurez-vous que la pelouse est libre des pierres, noix d'arbres, des branches, des fils et d'autres objets qui pourraient endommager le moteur ou les lames de la tondeuse. Ne pas faire passer la tondeuse par-dessus les bornes de propriété ou autres poteaux en métal. De tels objets pourraient endommager la lame ou être accidentellement projetés par la tondeuse dans toutes directions et causer des blessures graves à l'opérateur ou aux autres.
- Pour une pelouse en santé, coupez toujours un-tiers ou moins de la longueur totale de l'herbe.
- Quand vous coupez de l'herbe épaisse, marchez plus lentement pour permettre à l'outil à couper plus efficacement et à éjecter les brins de façon appropriée.
- Ne coupez pas de l'herbe humide. Elle collera au-dessous du châssis et empêche l'ensachage ou le déchiquetage appropriés des brins d'herbe.
- De l'herbe nouvelle ou épaisse peut nécessiter une coupe plus étroite ou augmentez la hauteur de coupe.

# UTILISATION

- Nettoyez le dessous du châssis après chaque utilisation pour enlever les brins d'herbes, les feuilles, la saleté et tout autre débris accumulé.

**NOTE :** Toujours arrêter la tondeuse, attendre l'arrêt complet des lames, et débranchez le cordon d'alimentation avant de nettoyer le dessous de la tondeuse.

## UTILISATION SUR LES PENTES

Voir la figure 11.

### **AVERTISSEMENT :**

Les pentes sont un facteur majeur relié aux glissements et des chutes accidentelles qui peuvent résulter en des blessures graves. L'utilisation de la tondeuse sur les pentes nécessite des précautions spéciales. Si vous n'êtes pas confortable sur une pente, ne la tondez pas. Pour votre sécurité, n'essayez pas de tondre des pentes de plus de 15 degrés.

- Tondez les pentes dans le sens transversal, jamais en montant ou en descendant. Soyez particulièrement prudent lors des changements de direction sur les terrains en pente.
- Faites attention aux trous, ornières, roches, objets cachés ou bosses qui peuvent provoquer un glissement ou une chute. De l'herbe haute peut cacher des obstacles. Enlevez tous les objets tels que les roches, les racines, etc. qui peuvent être projetés par la lame ou qui pourraient provoquer une chute.

- Soyez toujours sûr de votre position. Un glissement ou une chute peuvent causer une blessure grave. Si vous sentez que vous perdez l'équilibre, relâchez immédiatement la levier supérieure.
- Ne tondez pas près des dépressions, des fossés ou des berges; vous pourriez perdre l'équilibre.

## VIDER LE COLLECTEUR D'HERBE

Voir la figure 12.

- Arrêter la tondeuse, laisser les lames s'arrêter complètement.
- Débrancher l'outil de la source d'alimentation.
- Soulever le couvercle d'éjection arrière.
- Soulever le collecteur d'herbe par sa poignée afin de le retirer de la tondeuse.
- Jetez les brins d'herbe.
- Soulever le couvercle arrière et réinstaller le collecteur d'herbe, comme décrit précédemment dans le présent manuel.
- Réinstaller la source d'alimentation dès le moment de la tonte.

# ENTRETIEN

## AVERTISSEMENT :

Lors de réparation du produit, s'assurer que l'alimentation électrique de la tondeuse ont été retirées afin d'éviter un démarrage accidentel et des blessures graves.

## AVERTISSEMENT :

Toujours porter une protection oculaire munie d'écrans latéraux certifiée conforme à la norme ANSI Z87.1. Si cette précaution n'est pas prise, des objets peuvent être projetés dans les yeux et causer des lésions graves.

## AVERTISSEMENT :

Utiliser exclusivement des pièces autorisées pour les réparations. L'usage de toute autre pièce pourrait créer une situation dangereuse ou endommager le produit.

## AVIS :

Inspecter périodiquement au complet le produit afin de s'assurer qu'aucune pièce (vis, écrous, boulons, chapeaux, etc.) n'est endommagée, manquante ou desserrée. Serrer solidement toutes les pièces de fixation et les chapeaux et ne pas utiliser le produit tant que toutes les pièces manquantes ou endommagées n'ont pas été remplacées. Pour obtenir de l'aide, veuillez communiquer avec le Service à la clientèle ou un centre de réparations agréé.

## ENTRETIEN GÉNÉRAL

Évitez d'utiliser des solvants quand vous nettoyez des pièces en plastique. La plupart des plastiques résistent mal aux plusieurs types de solvants de commerce et peuvent être endommagés par leur utilisation. Utilisez des chiffons secs pour enlever la saleté, la poussière, l'huile, la graisse, etc.

## AVERTISSEMENT :

Ne permettez jamais à ce que les liquides pour freins, la gazoline, les produits à base de pétrole, les huiles dégriffantes, etc entrent en contact avec les pièces en plastique. Les produits chimiques peuvent endommager, affaiblir ou détruire le plastique ce qui peut résulter en des blessures graves.

Enlevez toute accumulation d'herbe ou des feuilles sur ou autour du couvercle du moteur. Essuyez la tondeuse avec un chiffon sec à l'occasion. N'utilisez pas de l'eau.

## LUBRIFICATION

Tous les roulements de cet outil sont lubrifiés à l'aide d'une quantité suffisante de lubrifiant de haute qualité pour toute la durée de l'outil dans des conditions normales d'utilisation. Alors, aucune lubrification ultérieure n'est nécessaire.

## AVERTISSEMENT :

Protégez toujours vos mains en portant des gants épais ou en enveloppant les bords tranchants de la lame avec des chiffons ou d'autre matériau quand vous effectuez l'entretien de la lame. Contact avec la lame résulter en des blessures graves.

## REMPACEMENT DE LA LAME

*Voir les figures 13 et 14.*

**NOTE :** Utiliser seulement des pièces de remplacement lames.

- Arrêtez le moteur et coupez l'alimentation électrique. Attendez que la lame s'immobilise complètement.
- Débranchez le cordon d'alimentation.
- Tournez la tondeuse de côté.
- Mettez une pièce de bois entre la lame et le châssis de la tondeuse pour empêcher la lame de tourner.
- Desserrez la boulon de la lame en le tournant dans le sens antihoraire (par rapport au bas de la tondeuse) en utilisant une clé de démarrage de 15 mm ou une douille (non fournies).
- Enlevez la boulon de lame et la lame.
- Placez la nouvelle lame sur l'arbre. S'assurer que la lame est bien appuyée sur l'arbre. Celui-ci doit passer dans le trou central de la lame et les deux tiges pour lame doivent s'insérer dans les trous sur la lame. Assurez-vous que les bouts incurvés soient orientés en direction du châssis de la tondeuse et non en direction du sol. Une fois bien appuyée, la lame devrait être à plat contre l'arbre.
- Remettez la boulon de lame sur l'arbre et serrez à main.

**NOTE :** Assurez-vous que toutes les pièces soient replacées dans l'ordre exact dans lequel elles ont été enlevées.

- Serrez la boulon de lame sens horaire en utilisant une clé de démarrage dynamométrique (non fournie) pour s'assurer que l'écrou et bien serré. Le couple de serrage recommandé pour la boulon de lame est de 350–400 po-lbs.

## AVERTISSEMENT :

S'assurer que la lame est assise correctement et que la boulon de lame est serré au couple indiqué ci-dessus. Ne pas fixer correctement la lame peut provoquer un relâchement de cette dernière ou détacher et représenter un risque de blessure grave.

## ENTREPOSAGE DE LA TONDEUSE

*Voir la figure 15.*

- Débranchez le cordon d'alimentation et emmagasiner dans un emplacement assuré de la portée d'enfants.
- Avant de ranger le produit, essuyer toute saleté ou tout débris.



# ENTRETIEN

- Tournez la tondeuse sur un côté et nettoyez les brins d'herbe accumulés en dessous du châssis de la tondeuse.
- Essuyez la tondeuse avec un chiffon sec.
- Vérifiez si les écrous, les boulons, les boutons, les vis, les attaches, etc sont serrés.
- Vérifiez si les pièces détachables ne sont pas endommagées, brisées ou usées. Faites réparer toutes les pièces manquantes ou endommagées. Vérifier si la lame est endommagée ou si elle est usée de façon inégale ou excessive, et la remplacer le cas échéant.
- Abaisser la ensemble de poignée, tel que décrit précédemment dans ce manuel.
- Entreposez la tondeuse à l'intérieur dans un endroit propre et sec, loin de la portée des enfants.
- N'entreposez pas près des matériaux corrosifs tels que les engrais ou le sel gemme.

# DÉPANNAGE

SI LES PRÉSENTES SOLUTIONS NE RÉSOLVENT PAS LE PROBLÈME, CONTACTER LE CENTRE DE RÉPARATIONS AGRÉÉ.

PROBLÈME	CAUSE POSSIBLE	SOLUTION
Poignée en mauvaise position.	Verrous de poignée ouverts.	Fermer les verrous des poignées supérieure et inférieure.
La tondeuse ne démarre pas.	Le branchement à une source d'alimentation n'a pas été établi.	Brancher le cordon d'alimentation.
La tondeuse coupe l'herbe de façon inégale.	La pelouse est raboteuse ou la hauteur de la coupe n'est pas bien réglée.	Régler la hauteur de coupe.
La tondeuse ne broie pas correctement.	Des brins d'herbe humides sont collés au-dessous du châssis.	Attendez que l'herbe sèche avant de tondre.
Il est difficile de pousser la tondeuse.	L'herbe est haute, l'arrière du carter de la tondeuse et la lame traînent dans de l'herbe épaisse ou la hauteur de coupe est trop basse.	Augmentez la hauteur de coupe.
La tondeuse n'ensache pas l'herbe adéquatement.	La hauteur de coupe est trop basse.	Augmentez la hauteur de coupe.
La tondeuse vibre à une vitesse élevée.	La lame est déséquilibrée, usée de façon excessive ou inégale. L'arbre du moteur plié.	Remplacer la lame.  Arrêtez le moteur et déconnectez la fiche de la source de courant. Inspecter les pièces afin de s'assurer qu'elles ne sont pas endommagées. Faites réparer par un centre de réparations agréé avant de redémarrer.
Si le moteur s'arrête pendant la tonte de la pelouse.	La hauteur de coupe est trop basse.	Augmentez la hauteur de coupe.

# GARANTIE

## ÉNONCÉ DE LA GARANTIE LIMITÉE

Techtronic Industries North America, Inc., garantit à l'acheteur original que ce produit RYOBI® est exempt de tous vices de matériaux ou de fabrication et s'engage à réparer ou remplacer gratuitement, à son choix, tout produit s'avérant défectueux au cours des périodes indiquées ci-dessous, à compter de la date d'achat.

- Trois ans sur les produits utilisés par des particuliers ;
- 90 jours sur les produits utilisés à toutes autres fins, telles que les travaux commerciaux et la location.

Cette garantie n'est offerte qu'à l'acheteur original et entre en vigueur à la date de l'achat original.

Toute pièce de ce produit jugée, après évaluation raisonnable par Techtronic Industries North America, Inc., comme présentant des vices de matériaux ou de fabrication, sera réparée ou remplacée, sans facturation pour pièces ou main d'oeuvre par un centre de réparations agréé pour produits d'extérieur de marque RYOBI® (centre de réparations Ryobi agréé).

Le produit, y compris toutes les pièces défectueuses devront être retournés à un centre de réparations Ryobi agréé, avant expiration de la période de garantie. Les frais d'expédition au centre de réparations pour les travaux sous garantie et de retour au propriétaire du produit seront assumés par le propriétaire. En ce qui concerne les réclamations en garantie, la responsabilité Techtronic Industries North America, Inc., se limitera à la réparation ou au remplacement des produits défectueux et aucune revendication de rupture de garantie ne pourra causer l'annulation ou la résiliation du contrat de vente d'un produit d'extérieur RYOBI® quel qu'il soit. Une preuve d'achat sera exigée par le centre de réparation, afin de valider toute réclamation au titre de la garantie. Toutes les réparations sous garantie devront être effectuées par un centre de réparations agréé.

La garantie sur tout produit d'extérieur RYOBI® utilisé pour la location, des travaux commerciaux ou tout autre usage lucratif, sera limitée à quatre-vingt-dix (90) jours, à compter de la date d'achat au détail original.

Cette garantie ne couvre pas les produits ayant fait l'objet d'un usage abusif ou négligent, d'un manque d'entretien, ayant été impliqués dans un accident ou employé de façon contraire aux instructions du manuel d'utilisation. Cette garantie ne couvre ni les dommages aux produits résultant d'un manque d'entretien, ni les produits qui ont été altérés ou modifiés. La garantie exclut les réparations rendues nécessaires par l'usure normale ou l'utilisation de pièces et accessoires incompatibles avec le produit d'extérieur RYOBI® ou nuisibles à son bon fonctionnement, ses performances ou sa durabilité. En outre, cette garanti exclut :

- A. Les réglages – Bougies, carburateur, réglages du carburateur, allumage, filtres
- B. Les articles consommables – Boutons d'avance par choc, bobines externes, lignes de coupe, bobines internes,

poulies et cordons de lanceur, courroies d'entraînement, dents, rondelles en feutre, axes d'attelage, lames de paillage, ventilateur de soufflante, tubes de soufflage et d'aspiration, sacs à débris, guides, chaînes de scie

- C. En outre, cette garanti exclut la batterie pour plus de trois ans de la date d'achat.

Techtronic Industries North America, Inc., se réserve le droit d'apporter des modifications ou améliorations à tout produit extérieur RYOBI®, sans obligation de modifier les produits fabriqués antérieurement.

LA DURÉE DE TOUTES LES GARANTIES IMPLICITES NE SAURAIT EN AUCUN CAS EXCÉDER LA PÉRIODE DE GARANTIE DÉCLARÉE. PAR CONSÉQUENT, TOUTES LES GARANTIES IMPLICITES, Y COMPRIS LES GARANTIES DE VALEUR MARCHANDE OU D'ADÉQUATION À UN USAGE PARTICULIER OU AUTRES SERONT INVALIDÉES À L'EXPIRATION DE LA PÉRIODE DE GARANTIE APPROPRIÉE DE TROIS ANS OU QUATRE-VINGT-DIX JOURS. LES OBLIGATIONS DE TECHTRONIC INDUSTRIES NORTH AMERICA, INC., DANS LE CADRE DE CETTE GARANTIE SE LIMITENT EXCLUSIVEMENT À LA RÉPARATION OU AU REMPLACEMENT DES PIÈCES DÉFECTUEUSES ET TECHTRONIC INDUSTRIES NORTH AMERICA, INC. N'ASSUME OU N'AUTORISE QUICONQUE À ASSUMER QUELQUE AUTRE OBLIGATION QUE CE SOIT. CERTAINS ÉTATS ET PROVINCES NE PERMETTANT PAS DE LIMITATION DE DURÉE DES GARANTIES IMPLICITES, LES RESTRICTIONS CI-DESSOUS PEUVENT NE PAS ÊTRE APPLICABLES. TECHTRONIC INDUSTRIES NORTH AMERICA, INC., DÉCLINE TOUTE RESPONSABILITÉ EN CE QUI CONCERNE LES DOMMAGES DIRECTS, INDIRECTS OU AUTRES, Y COMPRIS, MAIS SANS S'Y LIMITER, LES FRAIS DE RETOUR DE PRODUITS À UN CENTRE DE RÉPARATION RYOBI AGRÉÉ ET DE RENVOI AU PROPRIÉTAIRE, DE DÉPLACEMENT D'UN TECHNICIEN, DE TÉLÉPHONE OU TÉLÉGRAMME, DE LOCATION D'UN PRODUIT SIMILAIRE PENDANT LA DURÉE DES RÉPARATIONS SOUS GARANTIE, DE DÉPLACEMENT, DE PERTES OU DOMMAGES À DES BIENS PERSONNELS, DE MANQUE À GAGNER, DE PERTE D'USAGE DU PRODUIT, DE PERTE DE TEMPS OU DE DÉRANGEMENT. CERTAINS ÉTATS ET PROVINCES NE PERMETTANT L'EXCLUSION OU LA LIMITATION DES DOMMAGES DIRECTS OU INDIRECTS, LES RESTRICTIONS CI-DESSOUS PEUVENT NE PAS ÊTRE APPLICABLES.

Cette garantie donne au consommateur des droits spécifiques, et celui-ci peut bénéficier d'autres droits, qui varient selon les états ou provinces.

Cette garantie couvre tous les produits d'extérieur RYOBI® fabriqués par Techtronic Industries North America, Inc., vendus aux États-Unis et au Canada.

Pour obtenir l'adresse du centre de réparations Ryobi agréé le plus proche, appeler le 1-800-860-4050.

# INSTRUCCIONES DE SEGURIDAD IMPORTANTES



## ADVERTENCIA:

**LEA Y COMPRENDA TODAS LAS INSTRUCCIONES.** El incumplimiento de las instrucciones señaladas abajo y en la máquina puede causar descargas eléctricas, incendios y/o lesiones serias.

## LEA TODAS LAS INSTRUCCIONES

- Esta máquina de corte es capaz de amputar manos y pies, y de lanzar objetos. La inobservancia de todas las instrucciones de seguridad puede causar lesiones serias o la muerte.
- Evite ambientes peligrosos — No use la podadora de pasto en condiciones húmedas o mojadas ni la utilice en la lluvia.
- Mantenga alejados a los niños — Mantenga alejados a todos los circunstancias, niños y animales a una distancia mínima de 30,5 m (100 pies). Detenga la máquina si alguien ingresa al área.
- Pueden producirse accidentes trágicos si el operador no está alerta a la presencia de niños. Los niños suelen sentirse atraídos por la máquina y la actividad de la podadora. Nunca dé por sentado que los niños permanecerán donde los vio por última vez.
  - Mantenga a los niños alejados del área de podado y bajo la cuidadosa supervisión de un adulto responsable que no sea el operador.
  - Esté alerta y apague la podadora si un niño entra en el área.
  - Nunca permita que un niño utilice la máquina.
  - Tenga cuidado extremo al acercarse a esquinas ciegas, arbustos, árboles u otros objetos que puedan impedirle ver a un niño.
- Vístase adecuadamente — Póngase pantalones largos de tela gruesa, mangas largas, botas y guantes. No se ponga ropa holgada o pantalones cortos, sandales ni ande descalzo. No se ponga joyas de ninguna clase. Pueden quedar atrapadas en las piezas móviles.
- Ne pas travailler hors de portée — Toujours se tenir bien campé et en équilibre. Se puede perder el equilibrio al tratar de alcanzar demasiado lejos.
- No accione el equipo cuando esté descalzo o al llevar puestas sandalias o calzado liviano similar. Use calzado de seguridad que le proteja sus pies y mejore su postura en superficies resbaladizas.
- No deje desatendida la podadora de pasto mientras la tenga encendida o conexión al suministro de corriente.
- Mantenga las manos y los pies alejados del área de corte. Manténgase alejado de la abertura de descarga en todo momento.
- Utilice la podadora de pasto únicamente a la luz del día o con buena luz artificial.
- Siempre use gafas de seguridad con protección lateral. Los anteojos comunes sólo tienen lentes resistentes a los impactos. NO son anteojos de seguridad. Con el cumplimiento de esta regla se reduce el riesgo de posibles lesiones oculares. Use una careta si la operación genera mucho polvo.
- Utilice gafas de seguridad — Siempre utilice protección para los ojos con escudos laterales que cumplan con ANSI Z87.1. Si el proceso es polvoriento, utilice una careta.
- Utilice el aparato adecuado para la tarea — No utilice la podadora de pasto para ninguna función diferente de las especificadas.
- No fuerce la podadora de pasto — Efectúa el trabajo mejor y de manera más segura, si se utiliza a la velocidad para la que está diseñada.
- Permanezca alerta — Preste atención a lo que esté haciendo y use el sentido común al utilizar la podadora de pasto. No utilice la podadora cuando está cansado, molesto o bajo la influencia de drogas, alcohol o medicamentos. Un momento de descuido al utilizar la podadora de pasto puede causar lesiones serias.
- Mantenga la podadora de pasto con cuidado — Mantenga la máquina en buenas condiciones de trabajo. Mantenga las cuchillas afiladas, y las protecciones en su lugar y en buenas condiciones de trabajo. Reemplace las cuchillas dañadas o desgastadas de forma irregular antes de usar la podadora para obtener el mejor desempeño.
- Revise el apriete de todas las tuercas, pernos y tornillos con frecuencia para verificar la seguridad de las condiciones de funcionamiento del equipo. Las cuchillas de la podadora son filosas. Envuelva la cuchilla o utilice guantes y sea extremadamente precavido cuando las repare.
- Apague el motor y espere hasta que la cuchilla se detenga completamente y desconecte el enchufe de la fuente de corriente antes de limpiar la podadora de pasto, retirar el receptor de hierba o extraer el tapón para trituración de pasto para fertilizar.
- Cambie la cuchilla si está doblada o fisurada. Una cuchilla mal equilibrada ocasiona vibraciones que podrían dañar la unidad impulsora del motor o causar lesiones personales. Afile la cuchilla desafilada de la misma manera en cada extremo para mantener el equilibrio. Limpie profundamente la cuchilla y verifique el equilibrio apoyándola horizontalmente sobre un clavo delgado a través del orificio central. El clavo debe encontrarse en posición horizontal. Si alguno de los extremos de la cuchilla gira hacia abajo, extraiga algo de metal de la parte pesada del extremo inferior hasta que la cuchilla quede equilibrada. La cuchilla estará equilibrada cuando ninguno de los extremos gire hacia abajo.

# INSTRUCCIONES DE SEGURIDAD IMPORTANTES

- Cuando no está en uso, la podadora debe guardarse en el interior, en un lugar seco y cerrado, lejos del alcance de los niños. Retire la cordón de extensión y guárdela en un lugar apartado fuera del alcance de los niños.
- Siempre utilice dispositivos de protección. No utilice la podadora si no tiene el receptor de hierba, la protección de descarga, el tapón para trituración de pasto y la puerta de descarga trasera en sus debidos lugares y en perfectas condiciones de funcionamiento.
- Siga las instrucciones del fabricante para el correcto manejo e instalación de los accesorios. Sólo utilice accesorios aprobados por el fabricante.
- Para reducir el riesgo de una descarga eléctrica, este producto dispone de clavija polarizada (una patilla es más ancha que la otra) y requiere un cordón de extensión polarizado. La clavija del artefacto encaja en el cordón de extensión polarizado solo en una dirección. Si la clavija no entra completamente en el cordón de extensión, invierta la posición de la misma. Si aún así no entra la clavija, obtenga un cordón de extensión polarizado correcto. El cordón de extensión polarizado requiere el uso de un tomacorrientes de pared polarizado. Esta clavija encaja de una sola forma en un tomacorriente polarizado. Si la clavija no entra completamente en el tomacorriente de pared, invierta la posición de la clavija. Si aún así no entra la clavija, contrate a un electricista calificado para encargarse de la instalación de una toma de pared adecuada. No cambie de ninguna manera la clavija del producto, ni el enchufe o la clavija del cordón de extensión.
- Los circuitos o las tomas de corriente donde se conecta este producto deben estar protegidos con un interruptor de circuito accionado por falla de conexión a tierra (GFCI). Hay receptáculos con la protección de un GFCI integrado, y pueden utilizarse para contar con esta característica de seguridad.
- Inspeccione periódicamente el cordón de la podadora, y si está dañado, permita que lo reparen en un establecimiento de servicio autorizado. Revise periódicamente los prolongadores y reemplácelos si están dañados. Mantenga los mangos secos, limpios y sin aceite ni grasa.
- Advertencia — Para reducir el riesgo de descarga eléctrica, utilice solo con un cordón de extensión adecuado para el uso exterior, como el cordón de extensión tipos SW, SOW, STW, STOW, SJW, SJOW, SJTW, o SJTOW.
- Cordón de extensión — Asegúrese de que esté en buen estado el cordón de extensión. Al utilizar un cordón de extensión, utilice uno del suficiente calibre para soportar la corriente que consume el producto. Para largos menores a 15,2 metros (50 pies) se debe usar un cable de extensión calibre 14 AWG. Un cordón de un grueso insuficiente causa una caída en el voltaje de línea, y produce recalentamiento y pérdida de potencia. Para reducir la probabilidad de que la podadora se desconecte del conjunto del cable durante su uso, use el retén de cable que se describe en este manual (Figura 9).
- En usos normales, el conjunto del receptor de hierba está sujeto a deterioro y desgaste, y debe revisarse periódicamente. Solo use conjuntos de receptores de hierba idénticos.
- No haga mal uso del cordón — Nunca tire de la podadora desde el cable ni tire de él para desconectarlo del receptáculo. Mantenga el cordón eléctrico alejado del calor, del aceite y de los bordes afilados.
- Existe riesgo de muerte o de lesiones físicas graves si entra en contacto con líneas de conducción o cables eléctricos. Nunca accione la podadora sobre de fuentes de electricidad o cables.
- Despeje el área de trabajo cada vez antes de utilizar esta herramienta. Retire todos los objetos como piedras, nueces de árbol, palos, metal, alambre, huesos, juguetes u otros objetos que puedan ser lanzados por la cuchilla. Permanezca detrás del mango mientras el motor esté en funcionamiento.
- Evite pozos, surcos, montículos, rocas, estacas que indican los límites de la propiedad u otros objetos ocultos. El terreno desnivelado puede causar un accidente por resbalón y caída.
- No pade el pasto cerca de precipicios, zanjas o terraplenes.
- Pude atravesando el frente de las pendientes; nunca hacia arriba ni hacia abajo. Tenga mucha precaución al cambiar de dirección en una pendiente.
- Planifique su patrón de podado para evitar la descarga de material en caminos, aceras, circunstancias y demás. Además, evite descargar material contra una pared u obstrucción que pueda hacer que el material rebote hacia el operador.
- No pade la hierba cuando está mojada ni en pendientes excesivamente empinadas. Una postura mal afirmada puede causar un accidente por resbalón y caída. Camine, no corra nunca.
- Tenga cuidado extremo al acercarse a esquinas ciegas, arbustos, árboles u otros objetos que puedan impedirle ver.
- No tire de la podadora hacia atrás a menos que sea absolutamente necesario. Si debe retroceder la podadora para alejarla de una pared u obstrucción, primero mire hacia abajo y hacia atrás para evitar tropezar o tirando la podadora hacia los pies.
- Nunca dirija el material descargado hacia una persona. Evite descargar el material contra una pared u obstrucción. El material puede rebotar hacia el operador. Detenga la cuchilla cuando cruce por superficies de grava.
- Los objetos golpeados por la cuchilla de la podadora de pasto pueden causar graves heridas a las personas.




# INSTRUCCIONES DE SEGURIDAD IMPORTANTES

Siempre debe examinarse el pasto con cuidado y despejarlo de cualquier objeto antes de cada poda.










- Si la podadora de pasto golpea un objeto extraño, siga estos pasos:
  - Detenga la podadora de césped soltando el palanca de control de la hoja, espere hasta que la cuchilla se detenga por completo y luego desconecte la clavija del suministro de corriente.
  - Inspeccione minuciosamente la podadora para ver si tiene daños.
  - Reemplace la cuchilla si presenta algún tipo de daño. Repare todo daño antes de volver a arrancar la podadora y continuar utilizándola.
- Detenga el motor, espere hasta que la cuchilla se detenga por completo y desconecte la clavija del suministro de corriente antes de limpiar la bolsa colectora. La cuchilla continúa girando durante algunos segundos después de que se apaga el motor. Nunca coloque ninguna parte del cuerpo en el área de la cuchilla hasta que esté seguro de que la cuchilla ha dejado de girar.
- Si la podadora comienza a vibrar de manera anormal, detenga el motor, desconecte la clavija del suministro de corriente e inspecciónela inmediatamente para determinar la causa. Reemplace la cuchilla si presenta algún tipo de daño o si se ha desgastado de forma irregular. La vibración es generalmente una advertencia de problemas.
- Sólo personal de reparación calificado debe dar servicio al producto. Todo servicio o mantenimiento efectuado por personal no calificado puede significar un riesgo de lesiones al usuario, y de daños físicos al producto.
- Al dar servicio a este producto, sólo utilice únicamente repuestos idénticos. Utilice solo cuchillas de repuesto idénticas a las originales. El empleo de piezas no autorizadas puede significar un riesgo de lesiones serias al usuario, o de daños físicos al producto.
- Mantenga las etiquetas de instrucciones de seguridad en buen estado o cámbielas, según sea necesario.
- Desconecte el enchufe de la fuente de corriente – Desconecte el enchufe de la fuente de corriente antes de guardar la herramienta, servicio, o cambie los aditamentos como una hojas. Tales medidas preventivas de seguridad reducen el riesgo de poner en marcha accidentalmente la herramienta.
- Apague la unidad, desconecte el enchufe de la fuente de corriente cuando no esté en uso. Traslade o transporte la unidad con el motor apagado de la podadora.
- Guarde en el interior los aparatos que no se están usando - Cuando no se está usando, se debe guardar la recortadora de hilo en el interior, en un lugar seco y cerrado, inaccesible a los niños. También debe extraer cordón de extensión y almacenarlos en una ubicación separada lejos del alcance de los niños.
- Siga las instrucciones para lubricar y cambiar accesorios.
- Mantenga las protecciones en su lugar y en perfectas condiciones.
- Mantenga las cuchillas afiladas.
- Mantenga las manos y los pies alejados del área de corte.
- Solo permita que esta máquina sea operada por personas adultas responsables que estén familiarizadas con las instrucciones.
- Nunca opere la máquina en un espacio cerrado.
- Nunca altere los dispositivos de seguridad. Compruebe periódicamente que la máquina funcione correctamente.
- Guarde estas instrucciones. Consúltelas con frecuencia y empléelas para instruir a otras personas que puedan utilizar esta herramienta. Si presta a alguien esta herramienta, facilítele también las instrucciones.

# SÍMBOLOS

Las siguientes palabras de señalización y sus significados tienen el objeto de explicar los niveles de riesgo relacionados con este producto.



SÍMBOLO	SEÑAL	SIGNIFICADO
	<b>PELIGRO:</b>	Indica una situación peligrosa, la cual, si no se evita, causará la muerte o lesiones serias.
	<b>ADVERTENCIA:</b>	Indica una situación peligrosa posible, la cual, si no se evita, podría causar la muerte o lesiones serias.
	<b>PRECAUCIÓN:</b>	Indica una situación potencialmente peligrosa la cual, si no se evita, puede causar lesiones leves o moderadas.
	<b>AVISO:</b>	(Sin el símbolo de alerta de seguridad) Indica la información que se considera importante, pero no relacionada con lesiones potenciales (por ej. en relación a daños a la propiedad).

Es posible que se empleen en este producto algunos de los siguientes símbolos. Le suplicamos estudiarlos y aprender su significado. Una correcta interpretación de estos símbolos le permitirá utilizar mejor y de manera más segura el producto.

SÍMBOLO	NOMBRE	DENOMINACIÓN/EXPLICACIÓN
	Alerta de seguridad	Indica un peligro posible de lesiones personales.
	Lea manual del operador	Para reducir el riesgo de lesiones, el usuario debe leer y comprender el manual del operador antes de usar este producto.
	Protección ocular	Siempre póngase protección ocular con protección lateral con la marca de cumplimiento de la norma ANSI Z87.1.
	No pade sobre cables eléctricos	Existe riesgo de muerte o de lesiones físicas graves si se entra en contacto con las líneas de conducción o cables eléctricos. Nunca utilice la podadora sobre fuentes de electricidad, cables o alambres.
	Alerta de condiciones húmedas	No exponga la unidad a la lluvia ni la use en lugares húmedos.
	Descarga eléctrica	Si no se usa la unidad en condiciones secas y no se observan prácticas seguras de trabajo, puede producirse una descarga eléctrica.
	Mantenga las manos y los pies alejados.	Mantenga las manos y los pies alejados de las cuchillas y del área de corte.
	No extenderse	No extienda las manos o los pies por debajo de la cubierta de la podadora.
	No utilizar sobre pendientes	No utilice la podadora sobre pendientes superiores a los 15°. Corte sobre la superficie de las pendientes y nunca de arriba a abajo.

# SÍMBOLOS

Es posible que se empleen en este producto algunos de los siguientes símbolos. Le suplicamos estudiarlos y aprender su significado. Una correcta interpretación de estos símbolos le permitirá utilizar mejor y de manera más segura el producto.

SÍMBOLO	NOMBRE	DENOMINACIÓN/EXPLICACIÓN
	Mantenga alejados a los niños y circunstantes	Mantenga a los niños y otras personas alejadas a una distancia mínima de 30,5 m (100 pies).
	Rebote	Cualquier objeto lanzado puede rebotar y producir lesiones personales o daños físicos.
V	Volts	Voltaje
A	Amperes	Corriente
Hz	Hertz	Frecuencia (ciclos por segundo)
W	Watts	Potencia
hrs	Horas	Tiempo
~	Corriente alterna	Tipo de corriente
	Outil de classe II	Fabricación con doble aislamiento

# ASPECTOS ELÉCTRICOS

## DOBLE AISLAMIENTO

El doble aislamiento es una característica de seguridad de las herramientas eléctricas, la cual elimina la necesidad de usar el típico cordón eléctrico de tres conductores con conexión a tierra. Todas las partes metálicas expuestas están aisladas de los componentes metálicos internos del motor por medio de aislamiento de protección. No es necesario conectar a tierra las herramientas con doble aislamiento.

### **ADVERTENCIA:**

El sistema de doble aislamiento está destinado a proteger al usuario contra las descargas eléctricas resultantes de la ruptura del aislamiento interno de la herramienta. Observe todas las precauciones de seguridad para evitar descargas eléctricas.

**NOTA:** El mantenimiento de un producto con doble aislamiento requiere sumo cuidado y conocimiento del sistema, y únicamente deben realizarlo técnicos de servicio calificados. Para el servicio de la producto, le sugerimos llevarla al centro de servicio autorizado más cercano para toda reparación. Siempre utilice piezas de repuesto de la fábrica original al dar servicio a la unidad.

## CONEXIÓN ELÉCTRICA

Este producto dispone de un motor eléctrico fabricado con precisión. Debe conectarse únicamente a **una línea de voltaje de 120 Volts, de corriente alterna solamente (corriente normal para uso doméstico), 60 Hz.** Una caída de voltaje significativa provocará una pérdida de alimentación y se sobrecalentará el motor. Si el producto no funciona al conectarla en una toma de corriente, vuelva a verificar el suministro de voltaje.

## GFCI

Los circuitos o las tomas de corriente donde se conecta este producto deben estar protegidos con un interruptor de circuito accionado por falla de conexión a tierra (GFCI). Hay receptáculos con la protección de un GFCI integrado, y pueden utilizarse para contar con esta característica de seguridad.

## CORDONES DE EXTENSIÓN

Al utilizar un producto eléctrica a una distancia considerable de la fuente de voltaje, asegúrese de utilizar un cordón de extensión con la suficiente capacidad para soportar la corriente de consumo de el producto. Un cordón de un calibre insuficiente causa una caída en el voltaje de línea, la cual a su vez produce recalentamiento y pérdida de potencia. Básese en la tabla suministrada para determinar el grueso mínimo requerido del cordón de extensión. Solamente deben utilizarse cordones con forro redondo registrados en Underwriter's Laboratories (UL).

Al trabajar a la intemperie con un producto, utilice un cordón de extensión fabricado para uso en el exterior. Este tipo de cordón lleva las letras "SW-A, SOW-A, STW-A, STOW-A, SJW-A, SJOW-A, SJTW-A. or SJTOW-A" en el forro.

Antes de utilizar un cordón de extensión, inspecciónelo para ver si tiene conductores flojos o expuestos y aislamiento cortado o gastado.

Asegúrese de que el cordón de extensión estén conectados de manera segura como se muestra en la figura 9, luego conecte el extremo de la clavija en el extremo del receptáculo del cable de extensión. Verifique que la conexión es segura.

\*\*Amperaje (aparece en la placa de datos de el producto)

0-2,0 2,1-3,4 3,5-5,0 5,1-7,0 7,1-12,0 12,1-16,0

Longitud del cordón	Calibre conductores (A.W.G.)					
	16	16	16	16	14	14
25'	16	16	16	16	14	14
50'	16	16	16	14	14	12
100'	16	16	14	12	10	—

\*\*Se usa en los circuitos de calibre 12, de 20 amperes

**NOTA:** AWG = American Wire Gauge

### **ADVERTENCIA:**

Mantenga el cordón de extensión fuera del área de trabajo. Al trabajar con una herramienta eléctrica, coloque el cordón de tal manera que no pueda enredarse en la madera, herramientas ni en otras obstrucciones. La inobservancia de esta advertencia puede causar lesiones serias.

### **ADVERTENCIA:**

Inspeccione los cordones de extensión cada vez antes de usarlos. Si están dañados reemplácelos de inmediato. Nunca utilice la producto con un cordón dañado, ya que si toca la parte dañada puede producirse una descarga eléctrica, y las consecuentes lesiones serias.

Para reducir el riesgo de una descarga eléctrica, este producto dispone de clavija polarizada (una patilla es más ancha que la otra) y requiere un cordón de extensión polarizado. La clavija del artefacto encaja en el cordón de extensión polarizado solo en una dirección. Si la clavija no entra completamente en el cordón de extensión, invierta la posición de la misma. Si aún así no entra la clavija, obtenga un cordón de extensión polarizado correcto. El cordón de extensión polarizado requiere el uso de un tomacorrientes de pared polarizado. Esta clavija encaja de una sola forma en un tomacorriente polarizado. Si la clavija no entra completamente en el tomacorriente de pared, invierta la posición de la clavija. Si aún así no entra la clavija, contrate a un electricista calificado para encargarle la instalación de una toma de pared adecuada. No cambie de ninguna manera la clavija del producto, ni el enchufe o la clavija del cordón de extensión.

### **ADVERTENCIA:**

Para reducir el riesgo de descarga eléctrica, utilice solo con un cordón de extensión adecuado para el uso exterior, como el cordón de extensión tipos SW-A, SOW-A, STW-A, STOW-A, SJW-A, SJOW-A, SJTW-A. o SJTOW-A.



# CARACTERÍSTICAS

## ESPECIFICACIONES DEL PRODUCTO

Motor ..... 120 V, c.a. solamente, 60 Hz, 13,0 A  
Trayectoria de corte..... 406,4 mm (16 pulg.)

Ajustes de altura..... 20 mm à 60 mm  
(0,75 pulg. à 2,25 pulg.)  
Tamaño de las ruedas..... 152,4 mm (6 pulg.) delanteras  
203,2 mm (8 pulg.) traseras

## FAMILIARÍCESE CON SU PODADORA DE PASTO

*Vea la figura 1.*

Para usar este producto con la debida seguridad se debe comprender la información indicada en el producto mismo y en este manual, y se debe comprender también el trabajo que intenta realizar. Antes de usar este producto, familiarícese con todas las características de funcionamiento y normas de seguridad del mismo.

## ALTURA AJUSTABLE DEL MANGO

El mango incluye tres ajustes diferentes de altura.

## MANGO DE ACARREO

La podadora cuenta con un mango de acarreo para facilitar el traslado.

## RETÉN PARA EL CABLE

Un conveniente retén para el cable ayuda a sujetar la conexión del cable de extensión durante el funcionamiento de la recortadora de hilo.

## RECEPTOR DE HIERBA

El receptor de hierba acumula lo que ya ha cortado y evita que se desparrame mientras continúa cortando el césped.

## PALANCA DE AJUSTE DE ALTURA

La palanca de ajuste de altura brinda ajustes de la altura de corte.

## CONJUNTO DE CONTROL DEL MOTOR/CUCHILLA

El control de la motriz/hoja, localizado en el asidero superior del cortacéspedes, comprometiendo y suelta el motor y la hoja.

## TAPÓN PARA TRITURACIÓN

La podadora está equipada con un tapón para trituración que cubre la abertura de descarga trasera y que permite que las cuchillas de la podadora corten y recorten el césped más fino.

# ARMADO

## DESEMPAQUETADO

Este producto requiere armarse.

- Extraiga cuidadosamente de la caja la herramienta y los accesorios. Asegúrese de que estén presentes todos los artículos enumerados en la lista de empaquetado.

### ADVERTENCIA:

No utilice este producto si alguna pieza incluida en la lista de empaquetado ya está ensamblada al producto cuando lo desempaqueta. El fabricante no ensambla las piezas de esta lista en el producto. Éstas deben ser instaladas por el usuario. El uso de un producto que puede haber sido ensamblado de forma inadecuada podría causar lesiones personales graves.

- Inspeccione cuidadosamente la herramienta para asegurarse de que no haya sufrido ninguna rotura o daño durante el transporte.
- No deseché el material de empaquetado sin haber inspeccionado cuidadosamente la herramienta y haberla utilizado satisfactoriamente.
- Si hay piezas dañadas o faltantes, le suplicamos llamar al 1-800-860-4050, donde le brindaremos asistencia.

### ADVERTENCIA:

Si hay piezas dañadas o faltantes, no utilice esta producto sin haber reemplazado todas las piezas. Usar este producto con partes dañadas o faltantes puede causar lesiones serias al operador.

### ADVERTENCIA:

No intente modificar este producto ni hacer accesorios no recomendados para el mismo. Cualquier alteración o modificación constituye maltrato y puede causar una condición peligrosa, y como consecuencia posibles lesiones serias.

### ADVERTENCIA:

No conecte el enchufe de la fuente de corriente haber terminado de armarla y usted está listo para cortar. De lo contrario la unidad puede ponerse en marcha accidentalmente, con el consiguiente riesgo de lesiones serias.

### ADVERTENCIA:

Para prevenir empezar accidental, no hace ningún ajuste ni las instalaciones con el enchufe de la fuente de corriente metida. El arranque accidental de la podadora durante el armado puede causar lesiones graves.

### ADVERTENCIA:

Nunca utilice la podadora sin que los dispositivos de seguridad adecuados estén colocados y en funcionamiento. Nunca utilice la podadora con dispositivos de seguridad dañados. El funcionamiento de la podadora con piezas dañadas o faltantes puede ocasionar lesiones graves.

## LISTA DE EMPAQUETADO

Podadora  
Conjunto del mango superior  
Mango inferior  
Tapón para trituración  
Receptor de hierba  
Seguro del mango inferior (2)  
Perno de seguro del mango inferior (2)  
Perilla del seguro del mango superior (2)  
Perno de seguro del mango supérieure (2)  
Manual del operador

## INSTALAR Y AJUSTAR EL CONJUNTO DE MANGOS

*Vea las figuras 2 a 4.*

### Para instalar el mango inferior:

- Ubique los seguros del mango inferior y los pernos de seguro del mango.
- Coloque el conjunto del mango superior detrás de la podadora como se muestra.
- Alinee el mango inferior con la ranura de la carcasa de la podadora.

**NOTA:** Asegúrese de que el cable de alimentación esté insertado y por sobre el mango.

- Inserte el perno de seguro del mango inferior por el seguro del mango inferior y enrósquelo en la carcasa hasta que el seguro del mango inferior esté a aproximadamente 6,35 mm (0,25 pulg.) de la carcasa de la podadora.
- Para fijar el mango inferior en su posición, cierre las trabas del mango inferior.
- Repita este paso del otro lado.

**NOTA:** Si el mango inferior está flojo o si no está totalmente asentado en la ranura, gire las trabas en el sentido contrario a las agujas del reloj para fijarlo.

### Para instalar el conjunto de mango superior:

- Coloque el conjunto del mango superior sobre el mango inferior como se muestra y luego inserte el perno del seguro del mango superior por los orificios de ambos mangos.

# ARMADO

**NOTA:** El mango inferior tiene tres configuraciones de agujeros para el ajuste de altura. Asegúrese de usar la misma configuración de altura en cada lado.

- Inserte la perilla del seguro del mango superior en el perno del mango.
- Repita este paso del otro lado.
- Tire hacia arriba atrás del mango superior para elevarlo hasta la posición de operación. Asegúrese de que el mango superior esté asentado en las ranuras de la parte superior del mango inferior.

## PELIGRO:

No permita que ninguna parte del cable de alimentación de la podadora o cable de extensión se apriete o enrede al ensamblar o levantar los mangos. Si aprieta el cable de alimentación mientras está en uso, los mangos podrían electrificarse. El contacto con partes conductoras electrificadas puede resultar en la muerte por electrocución, descarga eléctrica o lesiones personales graves.

- Para asegurar el mango superior, ajuste las perillas del seguro del mango superior.

**NOTA:** Si el mango superior está flojo o separado del mango inferior, apriete las perillas de las trabas del mango superior haciéndolas girar en el sentido de las agujas del reloj.

- Coloque el sujetador del cable inferior en el mango inferior. Coloque un tornillo para asegurarlo.

### Para bajar el conjunto del mango:

- Afloje las perillas del seguro del mango superior.

**NOTA:** Afloje las perillas de las trabas del mango superior haciéndolas girar en sentido contrario a las agujas del reloj.

- Baje el mango superior. Evite doblar o atrapar cables.
- Aflojar la traba del mango inferior.
- Ejercer presión hacia afuera sobre cada uno de los laterales del mango inferior hasta que salga de la ranura. Posteriormente, pliegue el mango hacia la parte frontal de la unidad. Evite doblar o atrapar cables.

### INSTALACIÓN DEL TAPÓN PARA TRITURACIÓN (PARA LA OPERACIÓN DE TRITURACIÓN)

*Vea la figura 5.*

**NOTA:** Cuando se usa la tapón para trituración, no instala el receptor de hierba.

- Desconecte el suministro de alimentación.
- Levante y sujete la puerta de descarga posterior.
- Sostenga la tapón para trituración del mango e insértelo inclinándolo levemente, como se muestra.
- Empuje firmemente el tapón para trituración en su lugar.
- Suelte la puerta de descarga posterior.
- Vuelva a instalar el suministro de alimentación cuando esté listo para podar el pasto.

### INSTALACIÓN DEL RECEPTOR DE HIERBA (OPERACIÓN DE ENSACADO TRASERO)

*Vea la figura 6 y 7.*

**NOTA:** Cuando se usa el receptor de hierba, no instala el tapón para trituración.

- Desconecte el suministro de alimentación.
- Levante la puerta de descarga posterior.
- Levante el receptor de hierba por su mango y colóquelo debajo de la puerta de descarga posterior de modo que los ganchos del receptor de hierba queden asentados en la caja del podadora.
- Suelte la puerta de descarga posterior.
- Vuelva a instalar el suministro de alimentación cuando esté listo para podar el pasto.

### AJUSTE DE LA ALTURA DE LA CUCHILLA

*Vea la figura 8.*

Para enviarlas, las ruedas de la podadora se ajustan en una posición de corte bajo. Antes de usar la podadora por primera vez, ajuste la posición de corte a la altura más adecuada para su pasto. El pasto promedio debe tener una longitud de entre 38 mm (1-1/2 pulg.) y 51 mm (2 pulg.) durante los meses fríos, y entre 51 mm (2 pulg.) y 83 mm (3-1/4 pulg.) durante los meses calurosos.

#### Para ajustar la altura de la cuchilla:

- Desconecte el suministro de alimentación.
- Para levantar la altura de la cuchilla, tome la palanca de ajuste de altura y muévala hacia la parte posterior de la podadora.
- Para bajar la altura de la cuchilla, tome la palanca de ajuste de altura y muévala hacia la parte delantera de la podadora.
- Vuelva a instalar el suministro de alimentación cuando esté listo para podar el pasto.

# FUNCIONAMIENTO

## PELIGRO:

Existe riesgo de muerte o de lesiones físicas graves si se entra en contacto con las líneas de conducción o cables eléctricos. Nunca utilice la podadora sobre fuentes de electricidad, cables o alambres.

## ADVERTENCIA:

No permita que su familiarización con este tipo de producto lo vuelva descuidado. Tenga presente que un descuido de un instante es suficiente para causar una lesión grave.

## ADVERTENCIA:

Siempre utilice protección para los ojos con escudos laterales que cumplan con ANSI Z87.1. La inobservancia de esta advertencia puede causar el lanzamiento de objetos a los ojos, y por consecuencia posibles lesiones serias.

## ADVERTENCIA:

No utilice ningún aditamento o accesorio no recomendado por el fabricante de este producto. El empleo de aditamentos o accesorios no recomendados puede causar lesiones serias.

## ADVERTENCIA:

Antes de cada uso, inspeccione todo el producto para detectar algún daño, partes faltantes o sueltas la cuchilla no esté dañada o desgastada. El funcionamiento de la podadora con piezas dañadas o faltantes puede ocasionar lesiones graves.

## ADVERTENCIA:

Desconecte siempre el suministro de alimentación de la herramienta antes de instalar las piezas, realizar ajustes, limpiarla o cuando no la utilice evitará que la unidad se accione accidentalmente y provoque lesiones graves.

## USOS

Esta herramienta puede emplearse para el fin señalado abajo:

- Podar el pasto

## ADVERTENCIA:

Para evitar un arranque accidental que podría causar lesiones corporales serias, siempre desconecte la podadora del suministro de corriente a fin de evitar arranques accidentales que pueden causar lesiones serias.

## INSTALACIÓN/DESMONTAR DEL CORDONES DE EXTENSIÓN

*Vea la figura 9.*

- Inserte el extremo hembra del cable de alimentación dentro del producto como se muestra.
- Conecte el extremo macho del cable de alimentación a la fuente de alimentación.
- Asegúrese de que el cable de alimentación esté asegurado antes de comenzar con el funcionamiento.

## AVISO:

Siempre utilice un retén para cables de manera de conectar correctamente el cable de extensión a la podadora. Si no utiliza un retén para cables, puede dañar la podadora y/o el cable de extensión.

## ENCENDIDO Y APAGADO DE LA PODADORA

*Vea las figuras 9 y 10.*

- Conecte el suministro de alimentación.
- Oprima y no suelte el botón de arranque. Tire del palanca hacia el mango y suelte el botón para arrancar la podadora.
- Para detener la podadora, suelte el palanca.

## SUGERENCIAS PARA EL PODADO

- Asegúrese de que el pasto no tenga piedras, nueces de árbol, palos, alambres ni otros objetos que puedan dañar las cuchillas o el motor de la podadora de pasto. No corte sobre estacas que indican los límites de la propiedad o sobre otros postes metálicos. Dichos objetos podrían ser dañar la lame o lanzados accidentalmente por la podadora en cualquier dirección y provocar lesiones serias al operador y a otras personas.
- Para tener un pasto saludable, siempre corte un tercio o menos de la longitud total de la hierba.
- Al cortar hierba frondosa, reduzca la velocidad mientras camina para poder obtener un corte más eficaz y una descarga adecuada de los recortes.
- No corte la hierba cuando esté mojada. Se pegará a la parte inferior del piso e impedirá evita el embolsado o la trituración adecuada del césped cortado.
- La hierba nueva o gruesa puede requerir un corte más bajo o una mayor altura de corte.

# FUNCIONAMIENTO

- Limpie la parte inferior del piso de la podadora después de cada uso para eliminar recortes de hierba, hojas, suciedad y otros desechos acumulados.

**NOTA:** Siempre detenga la podadora, permita que las hojas se detengan completamente y desconecte el suministro de alimentación antes de limpiar debajo de la podadora.

## MANEJO EN PENDIENTES

Vea la figura 11.

### **ADVERTENCIA:**

Las pendientes son una de las causas principales de accidentes por resbalones y caídas que pueden provocar lesiones graves. El manejo en pendientes requiere precaución extra. Si se siente inseguro en una pendiente, no la pade. Para su seguridad, no intente podar pendientes de más de 15 grados.

- Pade atravesando las pendientes; no hacia arriba ni hacia abajo. Tenga mucha precaución al cambiar de dirección en una pendiente.
- Tenga cuidado con los pozos, surcos, piedras, objetos ocultos o montículos que puedan provocar que se resbale o tropiece. La hierba alta puede ocultar obstáculos. Retire todos los objetos como piedras, ramas de árboles, etc., que puedan provocar tropezones o ser lanzados por la cuchilla.

- Siempre asegúrese de su postura. Un resbalón y caída puede provocar lesiones serias. Si siente que está perdiendo el equilibrio, suelte el palanca superior inmediatamente.

- No pade el pasto cerca de precipicios, zanjas o terraplenes; podría perder la firmeza de la postura o el equilibrio.

## VACIADO DEL RECEPTOR DE HIERBA

Vea la figura 12.

- Detenga la podadora y espere a que las cuchillas se detengan por completo.
- Desconecte el suministro de alimentación.
- Levante la puerta de descarga posterior.
- Levante el receptor de césped del mango para retirarlo de la podadora.
- Vacíe los recortes de hierba.
- Levante la puerta trasera y reinstale el receptor de césped como se indicó anteriormente en este manual.
- Vuelva a instalar el suministro de alimentación cuando esté listo para podar el pasto.

# MANTENIMIENTO

## ADVERTENCIA:

Al dar servicio a la unidad, asegúrese de que desconecte el suministro de corriente para evitar el arranque accidental y posibles lesiones graves.

## ADVERTENCIA:

Siempre póngase protección ocular con protección lateral con la marca de cumplimiento de la norma ANSI Z87.1. Si no cumple esta advertencia, los objetos que salen despedidos pueden producirle lesiones serias en los ojos.

## ADVERTENCIA:

Al dar servicio a la unidad, sólo utilice piezas de repuesto autorizadas. El empleo de piezas diferentes puede causar un peligro o dañar el producto.

## AVISO:

Inspeccione periódicamente todo el producto para detectar partes dañadas, faltantes o sueltas, como tornillos, tuercas, pernos, tapas, etc. Apriete firmemente todos los sujetadores y las tapas y no accione este producto hasta que todas las partes faltantes o dañadas sean reemplazadas. Póngase en contacto con el servicio al cliente o con un centro de servicio autorizado para obtener ayuda.

## MANTENIMIENTO GENERAL

Evite el empleo de solventes al limpiar piezas de plástico. La mayoría de los plásticos son susceptibles a diferentes tipos de solventes comerciales y pueden resultar dañados. Utilice paños limpios para eliminar la suciedad, el polvo, el aceite, la grasa, etc.

## ADVERTENCIA:

No permita en ningún momento que fluidos para frenos, gasolina, productos a base de petróleo, aceites penetrantes, etc., lleguen a tocar las piezas de plástico. Las sustancias químicas pueden dañar, debilitar o destruir el plástico, lo cual a su vez puede producir lesiones corporales serias.

Elimine la hierba y las hojas acumuladas sobre la cubierta del motor o a su alrededor. Limpie ocasionalmente la podadora con un paño seco. No utilice agua.

## LUBRICACIÓN

Todos los cojinetes de este producto están lubricados con suficiente cantidad de aceite de alta calidad para toda la vida útil de la unidad en condiciones normales de funcionamiento. Por lo tanto, no se necesita lubricación adicional de los cojinetes.

## ADVERTENCIA:

Siempre protéjase las manos usando guantes gruesos y/o envolviendo los bordes de corte de la cuchilla con paños y otro material al realizar el mantenimiento de la cuchilla. Contacto con la hoja podría causar lesiones serias.

## REEMPLAZO DE LA CUCHILLA

*Vea las figuras 13 y 14.*

**NOTA:** Utilice únicamente piezas de repuesto autorizadas.

- Apague el motor. Permita que la cuchilla se detenga por completo.
  - Desconecte el suministro de alimentación.
  - Gire la podadora sobre su costado.
  - Introduzca a presión un bloque de madera entre la cuchilla y el piso de la podadora para evitar que la cuchilla gire.
  - Afloje el perno de la cuchilla al girarlo a la izquierda (como se observa en la base de la podadora) usando una llave de arranque de tuercas o de boca tubular de 15 mm (no se suministra).
  - Retire el perno de la cuchilla y la cuchilla.
  - Coloque la cuchilla nueva en el eje. Asegúrese de que la cuchilla esté correctamente asentada con los dos postes insertados en los orificios sobre la cuchilla. Asegúrese de que esté instalada con los extremos curvos orientados hacia arriba, donde está el piso de la podadora, y no hacia abajo, donde está el suelo. Si está asentada correctamente, la cuchilla permanecerá plana contra el eje.
  - Vuelva a colocar la cuchilla; luego, enrosque la perno de la cuchilla en el eje y apriétela con los dedos.
- NOTA:** Asegúrese de volver a colocar todas las piezas en el orden exacto en que fueron retiradas.
- Apriete la perno de la cuchilla derecha usando una llave de arranque dinamoétrica (no suministrada) para asegurar que el perno esté apretado correctamente. La fuerza de torsión recomendada para la perno de la cuchilla es de 350–400 lb-pulg.

## ADVERTENCIA:

Asegúrese de que la hoja esté correctamente asentada y que el perno de la hoja esté ajustada según las especificaciones de par de torsión anteriores. Si no conecta la hoja correctamente, puede aflojarse o separar y generar posibles lesiones personales graves.

## GUARDADO DE LA PODADORA

*Vea la figura 15.*

- Desconecte el suministro de alimentación y almacena en una ubicación segura fuera del alcance de niños.
- Antes de guardar, limpie el polvo o los residuos.

# MANTENIMIENTO

- Gire la podadora sobre su costado y limpie los recortes de hierba que se acumularon en la parte inferior del piso de la podadora.
- Limpie la podadora con un paño seco.
- Verifique el apriete de todos los pernos, tuercas, perillas, tornillos, sujetadores, etcétera.
- Inspeccione las piezas móviles para ver si hay daños, rupturas y desgaste. Haga que reparen todas las piezas dañadas o faltantes. Verifique que la cuchilla no esté dañada o desgastada excesivamente en forma irregular y reemplácela si existen estas condiciones.
- Abaisser la ensemble de poignée como se indicó anteriormente en este manual.
- Guarde la podadora en el interior, en un lugar limpio y seco, lejos del alcance de los niños.
- No la guarde cerca de materiales corrosivos como fertilizantes o sal gema.

# CORRECCIÓN DE PROBLEMAS

SI CON ESTAS SOLUCIONES NO SE RESUELVE EL PROBLEMA, COMUNÍQUESE CON EL CONCESIONARIO DE SERVICIO AUTORIZADO DE SU PREFERENCIA.

PROBLEMA	CAUSA POSIBLE	SOLUCIÓN
El mango no está en posición.	Las trabas de los mangos no están cerradas.	Cierre las trabas del mango superior y del mango inferior.
La podadora no enciende.	El suministro de energía no está conectado.	Conecte al suministro de corriente.
La podadora no corta la hierba uniformemente.	El pasto está áspero o desparejo, o la altura de corte no está ajustada correctamente.	Ajustar la altura de corte.
La podadora no tritura el pasto correctamente.	Hay recortes de hierba mojada pegados en la parte inferior del piso.	Espere hasta que la hierba se seque antes de podar.
Es difícil empujar la podadora.	La hierba está alta, la parte posterior del alojamiento de la podadora y la cuchilla se arrastran por hierba frondosa, o la altura de corte es demasiado baja.	Levante la altura de corte.
La podadora no recolecta correctamente.	La altura de corte es muy baja.	Levante la altura de corte.
La podadora vibra a mayor velocidad.	La cuchilla está desequilibrada, gastada excesivamente o en forma irregular.  El eje del motor está doblado.	Reemplace la cuchilla.  Apague el motor y desconecte el enchufe de la fuente de corriente. Inspeccione la unidad para ver si están dañadas. Lleve la unidad a un centro de servicio autorizado para que la reparen antes de volver a encenderla.
Motor se detiene mientras corta el césped.	La altura de corte es muy baja.	Levante la altura de corte.

# GARANTÍA

## DECLARACIÓN DE LA GARANTÍA LIMITADA

Techtronic Industries North America, Inc. garantiza al comprador original al menudeo que este producto de la marca RYOBI® carece de defectos en los materiales y en la mano de obra, y acuerda reparar o reemplazar, a la sola discreción de Techtronic Industries North America, Inc., cualquier producto defectuoso, sin cargo alguno al comprador, dentro de los siguientes períodos de tiempo a partir de la fecha de compra.

- Tres años si los productos se emplean para uso personal, familiar o casero;
- 90 días si el producto se emplea para cualquier otro propósito, como el uso comercial o el de alquiler.

Esta garantía se otorga solamente al comprador original al menudeo, y comienza en la fecha de la compra original al menudeo.

Cualquier parte de este producto Techtronic Industries North America, Inc. que, a juicio razonable de la compañía, tenga defectos en los materiales o en la mano de obra, será reparado o reemplazado por un centro de servicio autorizado de herramientas para uso en el exterior de la marca RYOBI®, sin cargo alguno al comprador por concepto de piezas y mano de obra (Centro de Servicio Autorizado Ryobi).

El producto, incluida toda pieza defectuosa, debe enviarse a un centro de servicio autorizado Ryobi dentro del período de la garantía. El gasto de enviar el producto al centro de servicio para cualquier trabajo cubierto por la garantía, así como el gasto de devolverlo al propietario después de la reparación, correrán por cuenta del propietario. La responsabilidad de Techtronic Industries North America, Inc. con respecto a todo reclamo se limita a las reparaciones o reemplazo del producto, y ningún reclamo de incumplimiento de la garantía será causante de la cancelación o rescisión del contrato de venta de ninguna herramienta de uso en el exterior de la marca RYOBI®. En el establecimiento se requerirá el recibo de compra para respaldar cualquier reclamo al amparo de la garantía. Todo trabajo cubierto en la garantía debe ser realizado por un concesionario de servicio autorizado.

Esta garantía se limita a noventa (90) días a partir de la fecha original de la compra de cualquier herramienta de uso en el exterior de la marca RYOBI® empleada para propósitos comerciales o de alquiler, o cualquier otro propósito generador de ingresos.

Esta garantía no cubre ningún producto que haya sido sujeto a un uso indebido, maltrato, negligencia o accidente, o que haya sido utilizado de cualquier forma contraria a las instrucciones de manejo especificadas en el manual del operador del producto. Esta garantía no aplica a ningún daño en el producto que resulte de un mantenimiento indebido ni a ningún producto que haya sido alterado o modificado. La garantía no cubre ninguna reparación necesaria por el uso normal ni por el uso de piezas o accesorios que sean incompatibles con la herramienta para uso exterior de la marca RYOBI®, o afecten de forma desfavorable su funcionamiento, desempeño o durabilidad.

Además, esta garantía no cubre:

- A. Afinación – Bujías, carburador, ajustes del carburador, encendido, filtros

- B. Artículos sujetos a desgaste – Perillas de tope, carretes exteriores, hilos de corte, carretes interiores, poleas del arrancador, cuerdas del arrancador, correas de transmisión, aspas, arandelas de fieltro y pasadores de enganche, hojas de triturar, ventiladores de sopladoras, tubos de sopladoras y de aspiradoras, sacos y correas de aspiradoras, barras guía y cadenas de sierras

- C. En outre, cette garanti exclut la batterie pour plus de trois ans de la date d'achat.

Techtronic Industries North America, Inc. se reserva el derecho a cambiar o mejorar el diseño de cualquier herramienta para uso en el exterior de la marca RYOBI® sin asumir ninguna obligación de modificar ningún producto fabricado previamente.

TODAS LAS GARANTÍAS IMPLÍCITAS ESTÁN LIMITADAS EN DURACIÓN SEGÚN EL PERÍODO DE GARANTÍA DECLARADA. POR CONSIGUIENTE, CUALQUIER GARANTÍA IMPLÍCITA, INCLUSO LAS DE COMERCIABILIDAD, IDONEIDAD PARA UN PROPÓSITO EN PARTICULAR, O DE CUALQUIER TIPO, PIERDEN TOTALMENTE SU VALIDEZ DESPUÉS DEL VENCIMIENTO DEL PERÍODO DE GARANTÍA CORRESPONDIENTE DE TRES AÑOS O NOVENTA DÍAS. DE CONFORMIDAD CON ESTA GARANTÍA, LA OBLIGACIÓN DE TECHTRONIC INDUSTRIES NORTH AMERICA, INC. SE LIMITA ESTRICTA Y EXCLUSIVAMENTE A LA REPARACIÓN O REPLAZO DE LAS PIEZAS DEFECTUOSAS, Y TECHTRONIC INDUSTRIES NORTH AMERICA, INC. NO ASUME NINGUNA OTRA OBLIGACIÓN, NI AUTORIZA A NADIE ASUMIRLA A NOMBRE DE DICHA COMPAÑÍA. ALGUNOS ESTADOS NO PERMITEN LIMITACIONES EN CUANTO A LA DURACIÓN DE UNA GARANTÍA IMPLÍCITA, POR LO CUAL ES POSIBLE QUE LA LIMITACIÓN ANTERIOR NO SE APLIQUE EN EL CASO DE USTED. TECHTRONIC INDUSTRIES NORTH AMERICA, INC. NO ASUME NINGUNA RESPONSABILIDAD POR DAÑOS DIRECTOS, INDIRECTOS O DE NINGÚN OTRO TIPO, COMO EL GASTO DE ENVIAR EL PRODUCTO A UN CENTRO DE SERVICIO AUTORIZADO RYOBI Y EL GASTO DE ENVIARLO DE ALLÍ AL PROPIETARIO, EL TIEMPO DE VIAJE DEL MECÁNICO, CARGOS TELEFÓNICOS O TELEGRÁFICOS, ALQUILER DE UN PRODUCTO SUSTITUTO DURANTE EL TIEMPO DE REALIZACIÓN DEL SERVICIO DE LA GARANTÍA, VIAJES, PÉRDIDA O DAÑOS A OBJETOS DE PROPIEDAD PERSONAL, PÉRDIDA DE INGRESOS, PÉRDIDA DEL USO DEL PRODUCTO, PÉRDIDA DE TIEMPO O INCONVENIENTES. EN ALGUNOS ESTADOS NO SE PERMITE LA EXCLUSIÓN O LIMITACIÓN DE DAÑOS DIRECTOS O INDIRECTOS, POR LO CUAL ES POSIBLE QUE LA LIMITACIÓN O EXCLUSIÓN DESCRITA ARRIBA NO SE APLIQUE EN SU CASO.

Esta garantía le confiere derechos legales específicos, y es posible que usted goce de otros derechos, los cuales pueden variar de estado a estado.

Esta garantía se aplica a todas las herramientas para uso en el exterior de la marca RYOBI® fabricadas por Techtronic Industries North America, Inc. y vendidos en Estados Unidos y Canadá.

Para encontrar el centro de servicio autorizado Ryobi más cercano a usted, llame al 1-800-860-4050.











**OPERATOR'S MANUAL**  
**MANUEL D'UTILISATION / MANUAL DEL OPERADOR**  
**16 IN. LAWN MOWER**  
**TONDEUSE DE 406,4 mm (16 po)**  
**PODADORA DE 406,4 mm (16 pulg.)**  
**RYAC160**

**CALIFORNIA PROPOSITION 65**

**⚠ WARNING:**  
 This product and substances that may become airborne from its use may contain chemicals, including lead, known to the State of California to cause cancer, birth defects, or other reproductive harm.  
**Wash hands after handling.**

**PROPOSITION 65 DE L'ÉTAT DE CALIFORNIE**

**⚠ AVERTISSEMENT :**  
 Ce produit et les autres substances rejetées dans l'air suite à son utilisation peuvent contenir des produits chimiques, notamment du plomb qui, selon l'État de la Californie, peuvent causer le cancer, des anomalies congénitales et d'autres dommages au système reproducteur.  
**Bien se laver les mains après toute manipulation.**

**CALIFORNIA - PROPUESTA DE LEY NÚM. 65**

**⚠ ADVERTENCIA:**  
 Este producto y las sustancias que puedan llegar a ser aerotransportadas por su uso pueden contener sustancias químicas (incluido el plomo) reconocidas por el estado de California como causantes de cáncer, defectos congénitos y otras afecciones del aparato reproductor.  
**Lávase las manos después de utilizar el aparato.**

RYOBI is a registered trademark of Ryobi Limited and is used pursuant to a license granted by Ryobi Limited.

RYOBI est une marque déposée de Ryobi Limited et est utilisée en vertu d'une licence accordée par Ryobi Limited.

RYOBI es una marca registrada de Ryobi Limited y se utiliza conforme a una licencia otorgada por Ryobi Limited.

• **PARTS AND SERVICE:** Prior to requesting service or purchasing replacement parts, please obtain your item, manufacturing, and serial numbers from the product data plate.  
**ITEM NO.** \_\_\_\_\_  
**MANUFACTURING NO.** \_\_\_\_\_  
**SERIAL NO.** \_\_\_\_\_

**HOW TO OBTAIN REPLACEMENT PARTS:** A replacement parts list is available online at [www.ryobitools.com](http://www.ryobitools.com). Replacement parts can be purchased online or by calling 1-800-860-4050. Replacement parts can also be obtained at one of our service centers.

**HOW TO LOCATE A SERVICE CENTER:** Service centers can be located online at [www.ryobitools.com](http://www.ryobitools.com) or by calling 1-800-860-4050.

**HOW TO OBTAIN CUSTOMER OR TECHNICAL SUPPORT:** To obtain customer or technical support please contact us at 1-800-860-4050.



• **PIÈCES ET SERVICE :** Avant de faire la demande de service ou l'achat de pièces de remplacement, veuillez obtenir le numéro d'article, le numéro de fabrication et le numéro de série à partir de la plaque de données du produit.

**NUMÉRO D'ARTICLE** \_\_\_\_\_  
**NUMÉRO DE FABRICATION** \_\_\_\_\_  
**NUMÉRO DE SÉRIE** \_\_\_\_\_

**COMMENT OBTENIR LES PIÈCES DE REMPLACEMENT :** Une liste des pièces de rechange est disponible en ligne sur le site [www.ryobitools.com](http://www.ryobitools.com). Les pièces de remplacement peuvent être achetées en ligne ou par téléphone au 1-800-860-4050. Les pièces de remplacement peuvent être obtenues à un de nos centres de service.

**COMMENT TROUVER UN CENTRE DE SERVICE :** Les centres de service peuvent être localisés en ligne au [www.ryobitools.com](http://www.ryobitools.com) ou en téléphonant au 1-800-860-4050.

**COMMENT OBTENIR DE L'AIDE EN CONTACTANT LE SERVICE À LA CLIENTÈLE :** Pour contacter le service à la clientèle pour une question technique ou pour tout autre renseignement, veuillez nous téléphoner au 1-800-860-4050.



• **PIEZAS DE REPUESTO Y SERVICIO:** Antes de solicitar servicio técnico o comprar piezas de repuesto, obtenga su número de artículo, el número de fabricación y el número de serie de la placa de datos del producto.

**NÚMERO DE ARTÍCULO** \_\_\_\_\_  
**NÚMERO DE FABRICACIÓN** \_\_\_\_\_  
**NÚMERO DE SERIE** \_\_\_\_\_

**CÓMO OBTENER PIEZAS DE REPUESTO:** Una lista de piezas de repuesto está disponibles en línea en la dirección [www.ryobitools.com](http://www.ryobitools.com). Las piezas de repuesto se pueden comprar en nuestro sitio o llamando al 1-800-860-4050. Las piezas de repuesto también se pueden obtener en uno de nuestros centros de servicio.

**CÓMO LOCALIZAR UN CENTRO DE SERVICIO:** Puede encontrar los centros de servicio visitando nuestro sitio en la red mundial, en la dirección [www.ryobitools.com](http://www.ryobitools.com) or by calling 1-800-860-4050.

**CÓMO OBTENER SERVICIO O ASISTENCIA TÉCNICA AL CONSUMIDOR:** Para obtener servicio o asistencia técnica al consumidor, sírvase comunicarse con nosotros llamando al 1-800-860-4050.

**TECHTRONIC INDUSTRIES POWER EQUIPMENT**

1428 Pearman Dairy Road, Anderson, SC 29625 USA  
 1-800-860-4050 • [www.ryobitools.com](http://www.ryobitools.com)