

PORTABLE POWER STATION

JUMP STARTER • AIR COMPRESSOR • AC POWER • DC POWER • USB POWER

12V, 950A Portable Power Station

Central eléctrica portátil 12V, 950A

Model/Modelo JSL-950



CAUTION:

Read and follow all safety rules and operating instructions before every use of this product.

SAVE THESE INSTRUCTIONS.

ATENCIÓN:

Lea y siga todas las reglas de seguridad e instrucciones de uso antes de cada uso de este producto.

GUARDE ESTAS INSTRUCCIONES.

FULLY CHARGE IMMEDIATELY AFTER PURCHASE. Fully recharge after each use, or every 1 month to ensure long battery life.



THIS UNIT CONTAINS A SEALED, NON-SPILLABLE LEAD-ACID BATTERY, AND MUST BE DISPOSED OF PROPERLY AT A CERTIFIED RECYCLING OR DISPOSAL CENTER.

ESTA UNIDAD CONTIENE UNA BATERÍA SELLADA DE ÁCIDO-PLOMO NO DERRAMABLE QUE DEBE DESECHARSE APROPIADAMENTE.

WARNING: Possible explosion hazard. Contact with battery acid may cause severe burns and blindness. Keep out of reach of children.

ADVERTENCIA: Posible Riesgo de una explosión. El contacto con una batería de ácido puede causar quemaduras y ceguera. Manténgase alejado de los niños.

IMPORTANT SAFETY INSTRUCTIONS

WARNING! Read and understand all Important Safety and Operating instructions before using this product. In addition, read and follow all battery and vehicle manufacturer's instructions and cautionary markings.

SAFETY PRECAUTIONS FOR USING THE JUMP STARTER

1. Wear complete eye protection and protective clothing when working near lead-acid batteries. Always have someone nearby for help.
2. Have plenty of fresh water, soap and baking soda nearby for use, in case battery acid contacts your eyes, skin, or clothing. Wash immediately with soap and water and seek medical attention.
3. If battery acid comes in contact with eyes, flush eyes immediately for a minimum 10 minutes and get medical attention.
4. Neutralize any acid spills thoroughly with baking soda before attempting to clean up.
5. Remove all personal metal items from your body, such as rings, bracelets, necklaces and watches. A battery can produce a short circuit current high enough to weld a ring to metal, causing a severe burn.
6. Never smoke or allow a spark or flame in the vicinity of the battery or engine.

7. Use the unit for jumpstarting a 12V LEAD-ACID battery only. Do NOT attempt to jump-start a vehicle with a non-rechargeable or defective battery.
8. Working in vicinity of a lead-acid battery is dangerous. Batteries generate explosive gases during normal operation. Use in well-ventilated area. Battery acid can cause permanent blindness. Avoid touching eyes while working near battery.
9. To avoid damage to the vehicle's electrical system, do NOT use the unit on a vehicle that has no battery installed.
10. Use of an accessory not recommended or sold by the manufacturer or retailer may result in a risk of fire, electric shock or injury to persons. Do NOT operate with damaged accessory(s).
11. Locate the unit as far away from battery as jumper cables permit.
12. Do NOT expose to rain or wet conditions.
13. To reduce the risk of damage to electric plug and cord, pull by the plug rather than the cord when disconnecting.
14. Operate with caution if the jump starter has received direct hit of force or been dropped. Have it checked and repaired if damaged.
15. Any repair must be carried out by the manufacturer or an authorized repair agent in order to avoid danger.
16. To prevent arcing, never allow the clamps to touch together or to touch the same piece of metal.
17. Ensure that the jumper clamps are securely clipped on the storage holders when unit is not used for jumpstarting.
18. **WARNING: RISK OF ELECTRIC SHOCK!** Incorrect operation of this product may result in damage and personal injury. The output of this product is 120V AC and can shock or electrocute the same as any ordinary household AC wall outlet.

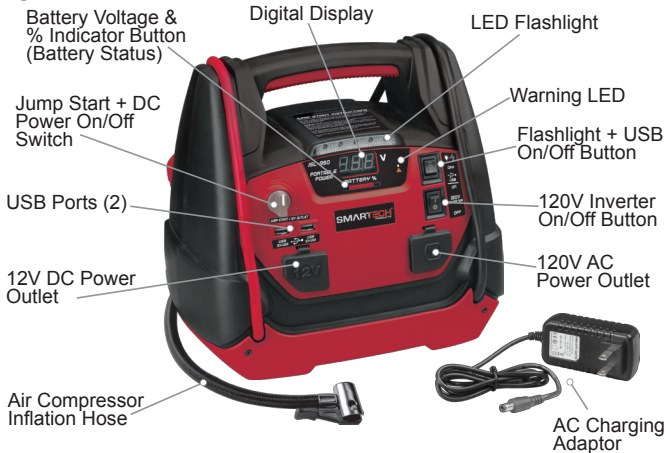
JUMP STARTER FEATURES

The Smartech JSL-950 Power Station is also equipped with LED flashlight, USB power output, 12V DC power output, air compressor and 120V AC power inverter.

Technical Specification:

Battery Type	Lead-Acid
Battery Capacity	12AH
Peak Current	950A
LED Flashlight	2.5W
USB Output	5V/2A, 5V/2A
12V Output	1 Port, 10A
Air Compressor	150 PSI Max
Power Inverter	1 Outlet, Maximum Continuous Power 400W (Peak Power 800W), Modified Sine Wave
Operating Temperature	-22° ~ 122° F (-30° ~ 50° C)
Charging Temperature	32° ~ 104° F (0° ~ 40° C)
Storage Temperature	5° ~ 104° F (-15° ~ 40° C)

FRONT VIEW



BACK VIEW



CHARGING

This product is partially charged from the manufacturer. Fully charge the unit immediately after purchase. In order to prolong the internal battery life, be sure to fully recharge the unit after each jumpstarting, or every month even if this unit has not been used. In addition, we recommend not to charge and discharge the unit at the same time.

To check the internal battery's charge status, press the Battery Voltage and % Indicator button (the screen will turn off in 10 seconds). Charge the internal battery if the display shows it is under 100%.

NOTE: The internal battery's percent of charge is most accurate when the jump starter has been disconnected from all devices and charging sources for a few hours.

AC Charging (Recommended):

1. Insert AC charging adapter into charging jack of the unit.
2. Plug the other end of AC charging adapter into a wall socket.

DC Charging in Your Vehicle:

You may also charge the internal battery while driving, using a male-to-male (insertion plug at each end) charger cable.

1. Turn the vehicle engine on.
2. Insert one end of the accessory cable into the 12V DC power outlet.
3. Insert the other end of the accessory cable into the vehicle's accessory outlet (lighter socket).
4. Turn on the Jump Start + 12V DC Power On/Off Switch.

NOTES: Using DC charging method to charge the battery overrides the maintain mode and the battery can be overcharged. Monitor the progress of the charge by pressing the Battery Voltage and % Indicator button and do disconnect immediately after battery is fully charged. Completely disconnect the charger cable when the engine is not running.

JUMP STARTING

1. This unit is only for emergency use, not for frequent commercial use! Do NOT attempt to jumpstart your vehicle when the unit's battery capacity is below 30%.
2. Turn off the vehicle ignition and all accessories (radios, lights, air conditioners, etc.), and disconnect electronic devices.
3. Identify polarity of battery posts. The positive battery terminal is typically marked by these letters or symbol: POS, P, +. The negative battery terminal is typically marked by these letters or symbol: NEG, N, -.
4. Do NOT make any connections to the carburetor, fuel lines, or thin metal parts.
5. Identify if you have a negative or positive grounded vehicle. This can be done by identifying which battery post (NEG or POS) is connected to the chassis.
6. For a negative grounded vehicle (most common): connect the RED POSITIVE jumper clamp first to the positive battery terminal, then connect the BLACK NEGATIVE jumper clamp to the negative battery terminal or vehicle chassis.
7. For a positive grounded vehicle (very uncommon): connect the BLACK NEGATIVE jumper clamp first to the negative battery terminal, then connect the RED POSITIVE jumper clamp to the positive battery terminal or vehicle chassis.

WARNING: If you have connected the clamps backwards, an audio alarm will sound and the Warning LED will be lit. Do NOT turn the ON/OFF switch to the ON position. Reverse the connections and the audio alarm will stop. NEVER allow two clamps to touch together or connect to the same metal when ON/OFF switch gets the ON position! The jumpstarting function does NOT have reverse polarity protection or short circuit protection. Incorrect operation of your jump starter may result in damage and personal injury.

8. Turn the switch to the ON position.
9. Crank the engine for no more than 8 seconds. If the engine does not start, wait 3 minutes before cranking again.

10. After the engine starts, immediately turn the switch to the OFF position and remove the unit from the battery.

FLASHLIGHT

Press Flashlight + USB On/Off button upwards and the light will illuminate.

USB POWER

Plug the electronic device into one of the two USB ports on the front panel.

Press Flashlight + USB On/Off button downwards to start USB power.

SUPPLY TO 12V DEVICES

This unit is a power source for all 12V DC devices that are equipped with a 12V accessory plug. Plug the device into the 12V DC power outlet on the front panel. Turn on Jump start + 12V DC power switch to start 12V power, and turn the 12V DC device on (if required).

CAUTION: Do NOT use the Portable Power to run appliances that draw more than 15A DC. Extended operation of a 12V DC device may result in excessive battery drain.

ESTIMATED RUN-TIMES

SUPPLY 12V DEVICES	ESTIMATED WATTAGE	ESTIMATED RUN TIME
Cellular phones, Fluorescent lights	4 watts	36 hrs
Radios, Fans, Depth finders	9 watts	16 hrs
Camcorders, DVD players, Spotlights	15 watts	9.6 hrs
Electrical tools, Bilge pumps	24 watts	6 hrs

SUPPLY 12V DEVICES	ESTIMATED WATTAGE	ESTIMATED RUN TIME
Electric cooler	48 watts	3 hrs
Car vacuums, Air compressors	80 watts	1.8 hrs

NOTE: Actual time may vary. Times are based on the internal battery being fully charged.

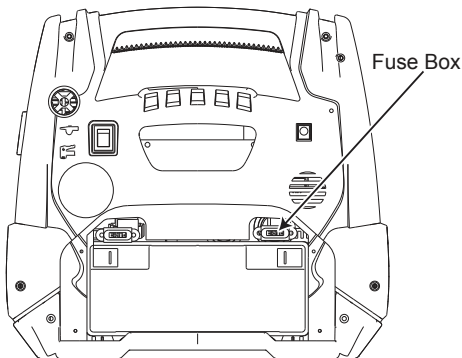
FUSE REPLACEMENT

If you have to replace 12V DC power fuse, follow these instructions.

Step 1: Use screwdriver to take the screws out. Remove the rubber bottom panel first. Then remove the rear panel.

WARNING: Unplug AC charging adaptor from Portable Power unit before attempting to replace fuse.

Step 2: You will find the fuse box shown below.



Step 3: Remove the fuse cover and replace the fuse.

Step 4: Put the rear panel and bottom rubber panel in position and install the screws.

AIR COMPRESSOR

Read the instructions of the product being inflated before using the compressor. Avoid overinflation; do NOT exceed the manufacturer's recommended pressures. Do NOT leave the air compressor unattended during use.

1. Take the air compressor hose out from the storage compartment in the back.
2. Connect the adapter to the valve stem and close the thumb latch.
3. Press Air Compressor On/Off button (the gauge will illuminate immediately) to start power and observe the air compressor gauge until it reaches the desired pressure. Do NOT leave the air compressor unattended during inflation.
4. Open the thumb latch and remove the connector from the valve stem.
5. Do NOT run for more than 10 minutes at a time. Allow the jump starter to cool down for 10 minutes before using again.
6. Store the compressor hose in the storage compartment when not in use.

ESTIMATED TIME FOR INFLATING

Car tire	5 – 9 MINUTES
Bike tire	25 - 30 SECONDS
Sport balls	30 SECONDS

These times are approximate. Use the air compressor gauge to ensure the proper pressure has been reached. Do not overinflate.

SUPPLY TO 120V DEVICES

The inverter in this product uses a modified sine waveform, which is not quite the same as power company electricity. We strongly recommend that you check the device's manual to make sure it is compatible with

modified sine waveform. It is important to know the continuous wattage of the device you plan to use with the inverter. The Smartech JSL-950 Power Station must be used with devices drawing 400 watts or less. If powering more than one device, start one device at a time to avoid a power surge and/or inverter overload. The surge load of each device should not exceed the inverter's continuous operation wattage rate.

POWERING A 120V AC DEVICE: Plug the device into 120V AC power outlet on the front panel. Press 120V AC Power On/Off button first, then turn the device on.

NOTE: When this product acts as a power inverter, it sounds an alarm to alert you that it is in low voltage protection. The inverter also features short circuit, overheat and overload protection.

WARNING: RISK OF ELECTRIC SHOCK: Incorrect operation of this product may result in damage and personal injury. The output of this product is 120V AC and can shock or electrocute the same as any ordinary household AC wall outlet.

NOTE: The maximum continuous load is 400 watts. Do not use the inverter with a product that draws more than 400 watts, as this may cause damage to the inverter and the product.

SUPPLY 120V AC DEVICES	ESTIMATED WATTAGE	ESTIMATED RUN TIME
Spotlights, Sump pumps, DVD players,	100 watts	1.22 HOURS
TVs, Small power tools	150 watts	49 MINUTES
Computer, Medium power tools, Blenders	200 watts	37 MINUTES

BEFORE RETURNING FOR REPAIRS

If the above solutions do not eliminate the problem, or for information about troubleshooting or replacement parts, call toll-free from anywhere in the U.S.A

1-888-288-5148

SMARTTECH LIMITED WARRANTY

FOR ONE YEAR from the date of sale this product is warranted against defects in material or workmanship when it is operated and maintained according to all supplied instructions.

WITH PROOF OF SALE return a defective product to the retailer from which it was purchased for free replacement.

This warranty does not cover fuses or inflation adaptors, which are expendable parts that can wear out from normal use within the warranty period.

This warranty is void if this product is ever used while providing commercial services or if rented to another person.

This warranty gives you specific legal rights, and you may also have other rights which vary from state to state.

Product distributed in the United States by Smartech Inc.

8700 Larkin Rd. Suite B

Savage, MD 20763

www.SmartechProduct.com

Made in China

SMARTTECH[®]
PRODUCTS

SMARTER PRODUCTS THROUGH SMARTER TECHNOLOGIES