



# redback

## 40V Lithium Ion Cordless Lawn Mower



**MODEL # 106067 (106066 Kit)**

## Operation Manual



This safety alert symbol identifies important safety messages in this manual. Failure to follow this important safety information may result in serious injury or death.

Part # 107367 Rev A



For Service or Questions

*Call 1-877-487-8275*

**720-287-5182**

*[www.redbackpowerusa.com](http://www.redbackpowerusa.com)*

**Redback products are distributed by**



**FrictionlessWorld**

1100 W 120th Ave, Suite 600  
Westminster, CO 80234 • 720-287-5182

# Table of Contents

<b>Important Safety Information</b>	
Intended Use .....	4
Personal Protective Equipment .....	4
General Safety .....	5
Safety Icons .....	6
<b>Assembly</b>	
Safety Key .....	7
Attaching Handlebars .....	7
Grass Catcher Assembly .....	8
Adjusting the Cutting Height .....	8
Inserting/Replacing Battery .....	9
<b>Overview</b> .....	10
<b>Operation</b> .....	11
Tips on Lawn Care .....	12
<b>Maintenance</b> .....	13
<b>Storage</b> .....	14
<b>Disposal Information</b> .....	15
<b>Warranty &amp; Specifications</b> .....	Back Cover



## Important Safety Information



WARNING

**WARNING:** Read and thoroughly understand all instructions and safety information before assembling or operating the lawn mower. Failure to do so may cause serious injury or death. Do not allow anyone to operate this lawn mower who has not read this manual. As with all power equipment, a lawn mower can be dangerous if assembled or used improperly. Do not operate this lawn mower if you have doubts or questions concerning safe operation.

Call our customer service department at **720-287-5182**, **1-877-487-8275**, or visit **[www.redbackpowerusa.com](http://www.redbackpowerusa.com)** if you have any questions or concerns about the safe operation of this equipment.



DANGER

### Intended Use

Do not use the lawn mower for any purpose other than for which it was designed. Any other use is unauthorized and may result in serious injury or death.

### Personal Protective Equipment

When operating this lawn mower it is essential that you wear safety gear including goggles or safety glasses, appropriate footwear and tight fitting gloves (no loose cuffs or draw strings). Always wear ear plugs or sound deafening headphones to protect against hearing loss when operating this mower. Always wear sturdy footwear. Never wear sandals, sneakers or open shoes, and never operate the lawn mower with bare feet. Do not wear loose clothing that might get caught in moving parts.



# Important Safety Information

## General Safety

Failure to follow warnings, cautions, assembly and operation instructions in the Operation Manual may result in serious injury or death.



DANGER

### READ THE OPERATION MANUAL BEFORE OPERATION.

- **Do not** permit children to operate this equipment at any time.
- **Do not** permit others that have not read and understood the complete Operation Manual to operate this equipment.
- The lawn mower can propel objects it strikes at high speeds. **Keep all people and pets a minimum of 10 feet away from the work area when operating the lawn mower.** It is recommended to wear heavy long pants during operation.
- **Do not** operate the lawn mower when under the influence of alcohol, drugs or medication.
- **Do not** allow a person who is tired or otherwise impaired or not completely alert to operate the lawn mower.



DANGER

- **Do not** operate the lawn mower in rain or other wet conditions. Protect the lawn mower from rain.
- Always keep hands, feet, hair and loose clothing away from the lawn mower.
- The battery should be removed before any repairs are attempted.

### Battery tool use and care

- Recharge only with the charger specified by the manufacturer. A charger that is suitable for one type of battery pack may create a risk of fire when used with another battery pack.
- Use power tools only with specifically designated battery packs. Use of any other battery packs may create a risk of injury and fire.
- When battery pack is not in use, keep it away from other metal objects like paper clips, coins, keys, nails, screws or other small metal objects that can make a connection from one terminal to another. Shorting the battery terminals may cause burns or a fire.
- Under certain conditions, liquid may be ejected from the battery; avoid contact. If contact accidentally occurs, flush with water. If liquid contacts eyes, additionally seek medical help. Liquid ejected from the battery may cause irritation or burns.
- **DO NOT USE BATTERIES WITH DAMAGED CASES.** Dispose of batteries properly. Do not dispose of batteries in household waste.



# Important Safety Information

## Safety Icons

Safety icons are embossed into the discharge flap of the grass catcher receptacle on the lawn mower to remind you of important information while you are operating the unit.



Use caution when operating this power equipment



A lawn mower can eject objects at high speeds. Use caution when operating around other people and pets.



Use caution when operating the lawn mower on slopes.



Use caution when handling, dangerous pinch points!



Stop the engine and remove the key before removing obstacles in mower's path.



Read and understand the Operation Manual before operating the lawn mower.



A lawn mower can eject objects at high speeds. Use caution when operating near walls, fences and other obstacles.



Remove key before making adjustments or performing maintenance.



Keep feet and hands away from underside of mower: blades are extremely sharp!



Avoid operating in the rain, protect the battery and mower from wet conditions.

## Safety Decals

Safety decals on the lawn mower are to remind you of important information while you are operating the unit. Make sure all decals are attached and in readable condition. Replace missing or defaced decals. Contact Redback USA at 1-877-487-8275 for replacement decals.



 <b>WARNING</b>	 <b>AVERTISSEMENT</b>
<ul style="list-style-type: none"> <li>▪ Risk of eye injury. Use safety glasses or other eye protection.</li> <li>▪ Read the operator's manual before using.</li> <li>▪ Keep bystanders/children away.</li> <li>▪ Remove obstacles in path that could be thrown.</li> <li>▪ Risk of injury. Do not operate without safety guards in place.</li> <li>▪ Risk of electric shock. Do not expose to water or wet ground.</li> <li>▪ Remove battery before performing maintenance.</li> <li>▪ For use only with Redback 120V batteries.</li> </ul>	<ul style="list-style-type: none"> <li>▪ Risque de blessure à l'œil. Utiliser des lunettes de protection des yeux ou autres.</li> <li>▪ Lire le manuel de l'opérateur avant l'utilisation.</li> <li>▪ S'assurer que les enfants/route.</li> <li>▪ Lever les obstacles dans la voie qui pourrait être jeté.</li> <li>▪ Risque de blessure. Ne faites pas fonctionner sans les protections de sécurité en place.</li> <li>▪ Risque de choc électrique. Ne pas exposer à l'eau ou le sol humide.</li> <li>▪ Retirez la batterie avant d'effectuer l'entretien.</li> <li>▪ À N'utiliser qu'avec les batteries 120V Redback.</li> </ul>



# Assembly

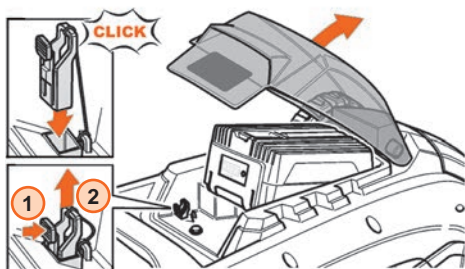


Figure 1

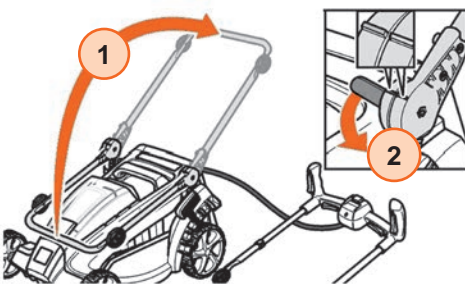


Figure 2

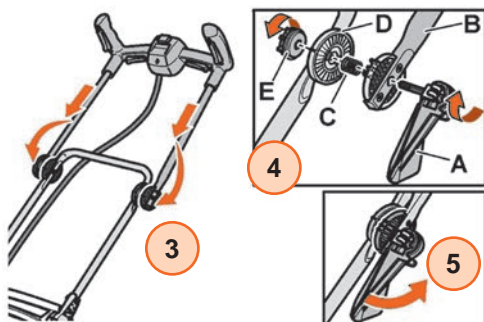


Figure 3

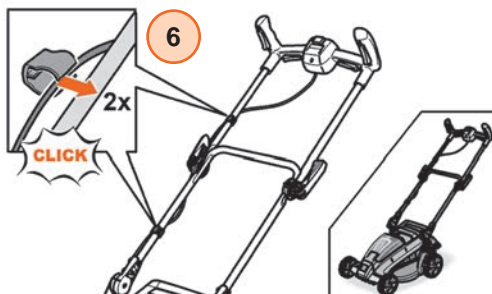


Figure 4

## Safety Key

The lawn mower has a security key. The key is located under the battery cover (see Figure 1). By removing the key, the power supply to the motor is interrupted.



CAUTION

**Remove the safety key if the unit is left unattended; before checking, cleaning or performing other work on the unit; before removing blockages; if a foreign object is hit; or if the unit starts vibrating excessively.**

1. To remove the key press the lock (1) and pull out the safety key (2).

## Attaching the Handlebars

When collapsing or unfolding the handlebar, the cable could be damaged. Ensure that the cable is not kinked. Tools are not required to attach the handlebar.

1. Fold the lower handle upwards (1). Align the marks. Flip the quick-clamping levers on both sides of the lower handle (2).
2. Place the upper handle on the lower handle (3).
3. Attach the upper handle (4):  
Insert the threaded bolt of the quick clamping lever (A) through the holes in the upper handle (B) and the lower handle (D). Pull the handles slightly apart and place the spring (C) between the handles on the threaded bolt. Screw the nut (E) a few turns onto the threaded bolt. Flip the quick-clamping levers (5).

Note: If it not possible to completety flip the quick clamping lever, loosen the nut slightly.

4. Attach the cable with the two cable clamps (6) (see Figure 4).



# Assembly

## Grass Catcher Assembly

1. Attach the two lower parts of the grass catcher together until they click and lock into position ① (see Figure 5).
2. Secure with two screws at the bottom of the grass catcher ② (see Figure 6).
3. Attach the upper grass catcher component to the lower portion and press together until they click ③.

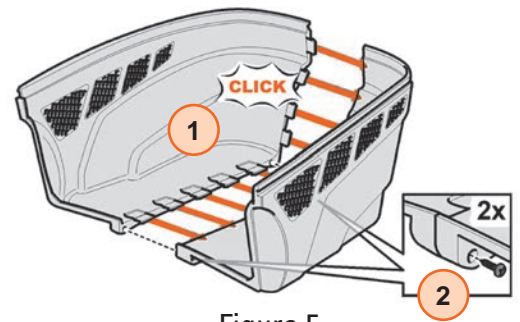


Figure 5

## Attaching the grass catcher (see Figure 7)

1. Lift the discharge flap ①.
2. Hook the grass catcher bag into the lawnmower ②.
3. Fold the discharge flap down again ③.

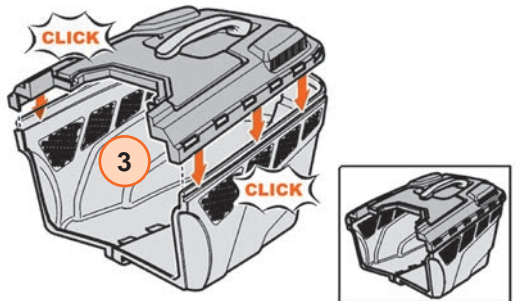


Figure 6

## Adjusting the handle height (see Figure 8).

To adapt to the height of the user the handlebar can be adjusted to three different positions.

1. Loosen the quick-clamping lever ①.
2. Move the handle to the desired height ②.
3. Flip the quick-clamping lever.

## Adjusting the cutting height (see Figure 9).

The cutting height can be varied in 5 increments from 1" to 3" with the cutting height adjustment ①.

1. Pull the handle outwards slightly.
2. Set the required cutting height.
3. Release the lever again.

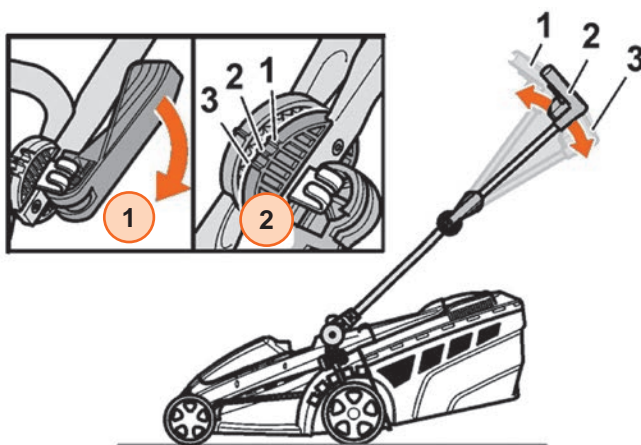


Figure 8

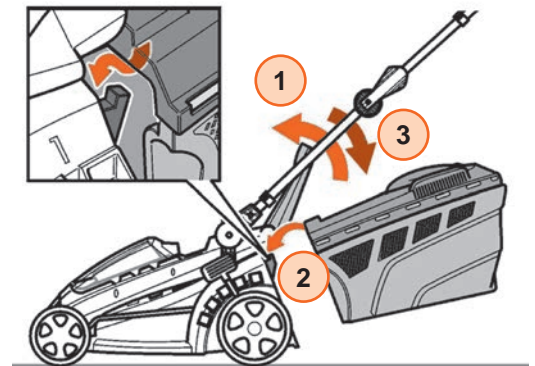


Figure 7

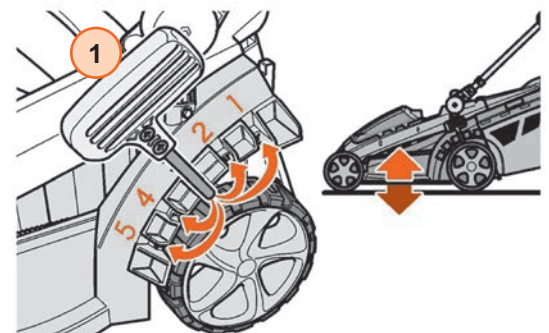


Figure 9





# Assembly

## Inserting/replacing the battery



CAUTION

**Protect the battery contacts when the battery is not being used. Loose metal parts may short-circuit the contacts – Explosion and fire hazard!**

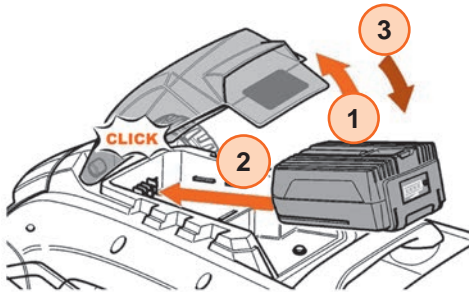


Figure 10

Charge the battery as described in the user manual of the charger.

1. Open the battery cover ① (see Figure 10). Press the charged battery into the power tool until it clicks into place ②. Close the battery cover ③.
2. To remove (see Figure 11), press the release button ① and pull out the battery ②.

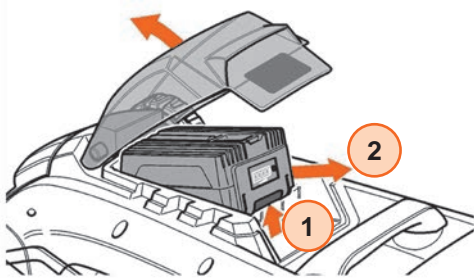
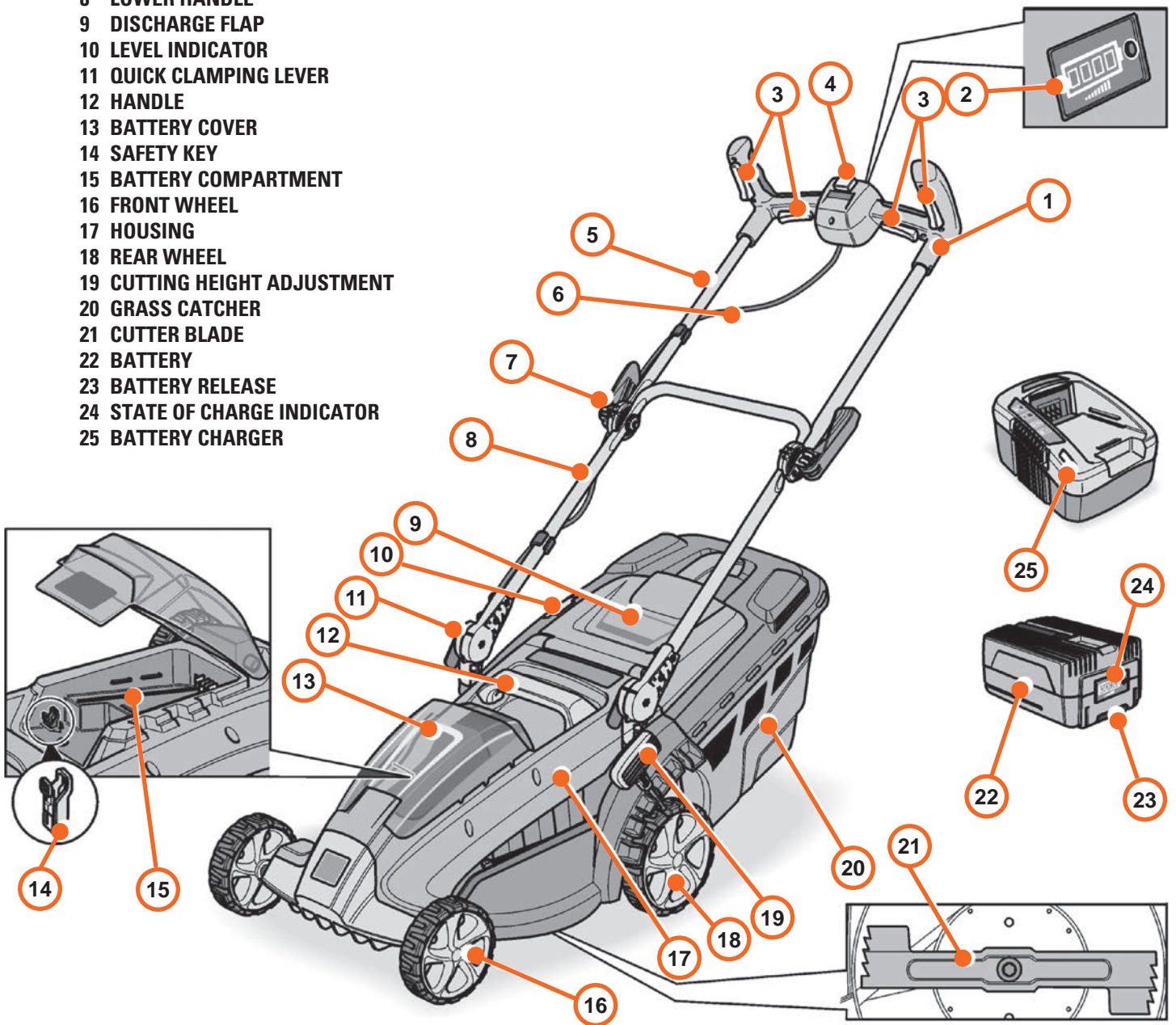


Figure 11



# Overview

- 1 HANDLEBAR
- 2 LED BATTERY POWER INDICATOR
- 3 ON/OFF SWITCH
- 4 SWITCH INTERLOCK
- 5 UPPER HANDLE
- 6 CABLE
- 7 QUICK CLAMPING LEVER
- 8 LOWER HANDLE
- 9 DISCHARGE FLAP
- 10 LEVEL INDICATOR
- 11 QUICK CLAMPING LEVER
- 12 HANDLE
- 13 BATTERY COVER
- 14 SAFETY KEY
- 15 BATTERY COMPARTMENT
- 16 FRONT WHEEL
- 17 HOUSING
- 18 REAR WHEEL
- 19 CUTTING HEIGHT ADJUSTMENT
- 20 GRASS CATCHER
- 21 CUTTER BLADE
- 22 BATTERY
- 23 BATTERY RELEASE
- 24 STATE OF CHARGE INDICATOR
- 25 BATTERY CHARGER



# Operation

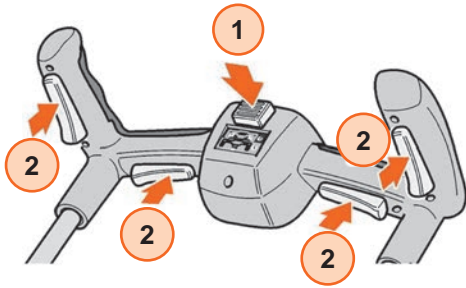


Figure 12

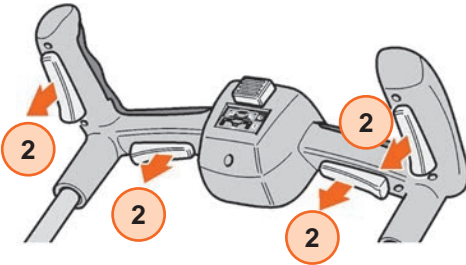


Figure 13

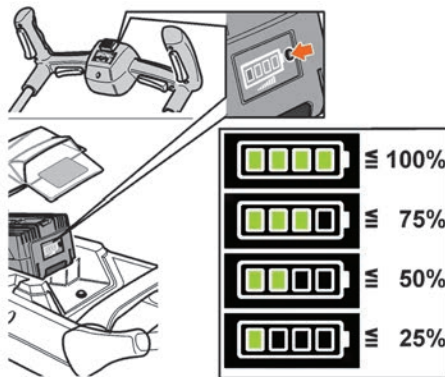


Figure 14

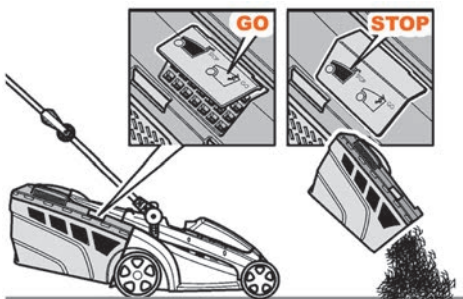


Figure 15

## Switching the Lawn Mower ON/OFF

### Switching on

For convenient handling the unit has four On/Off switches on the handlebar (see Figure 12).

1. Press the switch interlock and hold down ①.
2. Press any On/Off switch ②. The motor runs.

### Switching off

1. Release the On-/Off-switch ② (see Figure 13).



WARNING

**After releasing the On/Off switch the cutter blade continues running briefly.**

### Battery state of charge (see Figure 14).

The unit has a LED state of charge indicator on the handlebar. In addition, the charge status can be checked directly on the battery.

1. Press the button to check the state of charge at the state of charge indicator LEDs. The indicator goes out after 5 seconds. If one of the LEDs flashes, the battery must be recharged. If none of the LEDs light up after the button is pressed, the battery is faulty and must be replaced.

### Removing the Grass Catcher (see Figure 15).

If the grass catcher bag is full it should be emptied immediately. Switch the motor off. Wait until the motor and blades stop.

Lift the discharge flap. Remove the grass catcher. Before reattaching the catcher, remove any obstructions from the cutting area. **Disconnect the safety key and battery before clearing debris from the cutting area.**

### Mowing without the Grass Catcher

When working without the catcher, the mowed grass is ejected directly downwards.

### Tips on lawn care

Here are some tips to help you keep your lawn looking healthy and ensure uniform growth:

- Frequent mowing promotes the growth of grass, resulting in strong roots. If you seldom cut the grass, you will enhance the development of high growing types of grass and weeds.
- Time mowings so you're never removing more than one-third of the total leaf surface (of a single grass blade) with each cutting.
- Avoid scalping grass, which is cutting it too short. A scalped lawn is vulnerable to diseases and weed infestation. Grass that's consistently cut too short has a poorly developed root system.
- The normal height of a lawn is approx. 1.5" - 2.0". Only one third of the total height should be mown; therefore cut 2.5" - 3.5" long grass to normal height.
- Try not to cut the grass shorter than 1.5", otherwise the lawn will suffer during dry periods.
- If the grass has grown particularly high (for example, during a holiday period), cut it back to its normal height in several stages.
- When mowing, always overlap the mown swaths slightly.
- Keep your mower blade sharp to get the best results from each mowing. A sharp blade cuts grass cleanly, while a dull blade tears grass, creating a jagged, uneven edge.
- Adjust mower height throughout the growing season. For instance, shift the cutting deck higher in summer and allow grass to grow longer. Taller grass helps shade soil, which prevents weed growth and slows water evaporation from soil. Taller grass also develops deeper roots, which creates a lawn that can withstand drought better. In late autumn, in regions where winter brings snow cover, lower the cutting deck for the last mowing of the season to help prevent snow mold from forming on grass.
- Lawns that grow in shady areas benefit from a higher mowing height.
- Ideally, mow when grass is dry. Mowing a wet lawn doesn't harm the grass, but it doesn't yield the best results. Wet grass fills and clogs a mower deck. It also has a tendency to fall over and clump together as you mow, creating an uneven cut.
- Mow when the lawn is in shade. The act of mowing creates tremendous stress on grass plants. If you mow during the heat of the day, individual grass plants lose more water and recover much more slowly than if you mow during a cooler part of the day.
- Avoid consistently mowing in the same direction. Alternating the direction that the grass is cut helps promote a healthier lawn.



## Maintenance



CAUTION

**Before performing any maintenance on the lawn mower, remove the battery.**

### **Cleaning the Lawn Mower**

Remove the battery. Remove the grass catcher. Do not use water or liquid detergents. Whenever possible, always clean the unit directly after mowing. After mowing, always clean the lawnmower with a hand brush. Remove grass residues carefully out of the cutting area. Remove stuck clipping deposits using a stiff brush. Keep the ventilation slots clean and dust-free.

### **Cleaning the Grass Catcher**

For thorough cleaning, the grass catcher can be cleaned with a hose.

To ensure that the level indicator functions correctly, regularly clean the area under the level indicator on the inside of the grass catcher with a hand brush.

### **Replacing/Sharpening the Cutting Blade**

To protect against injury from the cutting blade, have a lawn mower repair service replace or sharpen the cutting blade.

### **Repairs**

Check the unit for damage. Repairs should be carried out by an authorized customer service center only.



CAUTION

**The cutting blade has extremely sharp edges!  
Wear protective gloves when cleaning debris from underneath the mower or when handling the blade.**





# Storage

## Storage

Remove the safety key and remove the battery from the mower before storing. Store the lawn mower in a dry, dust-free and frost-free place ideally in a temperature range of 50° - 77°F (10-25 °C). Store the battery and the unit separately.

## Folding the Lawn Mower



CAUTION

**When collapsing or unfolding the handlebar, the cable may be damaged. Ensure that the cable is not kinked.**

The handle bar can be folded down to facilitate storage and transport.

1. Loosen the quick-clamping levers on the upper handle ① and move the handle backwards ② (see Figure 16).
2. Loosen the quick-clamping levers on the housing ③ and move the lower handle forwards and put on the housing ④ (see Figure 17).

## Battery Storage

Charge the battery before storing the unit in winter. Keep the unit, in particular its plastic components, away from brake fluids, petrol, petroleum products, penetrating oil, etc. They contain chemical substances which may damage, attack or destroy the plastic components of the unit.

Remove the battery from the lawn mower when not in use.

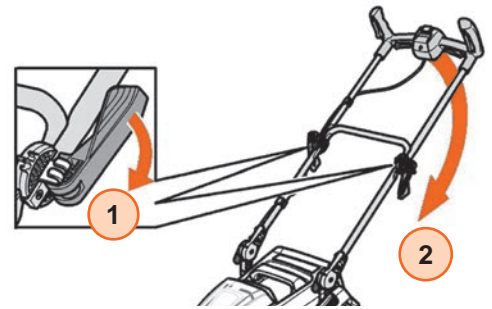


Figure 16

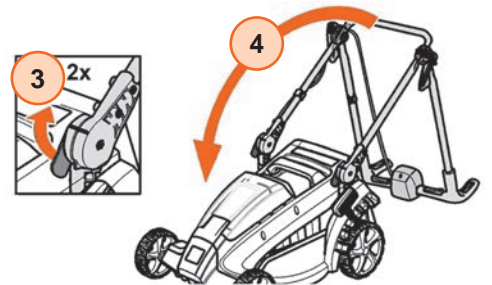


Figure 17



## Disposal Information



CAUTION

**Before disposing of lawn mower,  
remove the power cord and the battery.**



### **Disposal Information**

Recycle raw materials instead of disposing as waste. Battery, accessories and packaging should be recycled in an environmentally friendly manner. Plastic parts are identified for recycling according to material type.



CAUTION

**Do not use batteries with damaged casing.  
Do not attempt to open batteries.  
Do not dispose of in fire, water or household waste.**



# Warranty & Specifications

## IMPORTANT NOTICE

We, the manufacturer, reserve the right to change the product and/or specifications in this manual without notification. The manual is for information usage only and the pictures and drawings depicted herein are for reference only.

## Warranty Repair and Service

Do not return this product to the store for warranty issues or repair. Call our customer service department at **720-287-5182, 1-877-487-8275**, or visit **[www.redbackpowerusa.com](http://www.redbackpowerusa.com)** for the location of the nearest service center.

Record the information below for future reference.

Model No. \_\_\_\_\_

Serial No. \_\_\_\_\_

Date of Purchase \_\_\_\_\_

Place of Purchase \_\_\_\_\_

SKU/Part No.	106067 (106066 Kit)
Description	40V Lithium Ion Cordless Lawn Mower
Rated Voltage	40 Volts DC
Motor Speed	4000rpm
Cutting Width	16 inches (406.4mm)
Cutting Height	1" - 3", single point height adjustment, 5 positions
Grass Catcher Capacity	1.14 Bushels (40L)
Wheel Size	7" (rear), 6" (front)
Weight	34.4 Lbs. (15.5 Kg) w/o battery
Battery	4.0Ah (included with kit)
Battery Charger	2A Charger (included with kit)
Run Time	Up to 50 minutes/charge (with 4.0Ah battery)
Warranty	3 Year Limited Warranty



Redback products are distributed by



**FrictionlessWorld**

1100 W 120th Ave., Suite 600  
Westminster, CO 80234 • 720-287-5182

For Service or Questions

**Call 1-877-487-8275**

**720-287-5182**

**[www.redbackpowerusa.com](http://www.redbackpowerusa.com)**