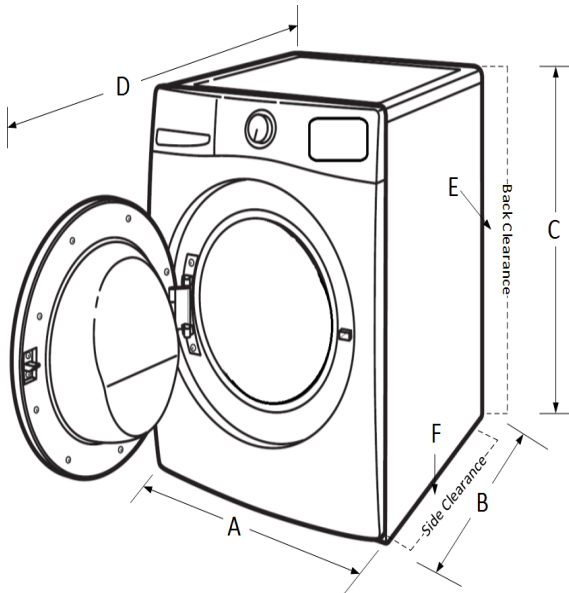




DLEX3370W

7.4 cu. ft. Ultra Large Capacity Front Load SteamDryer™ w/ NFC Tag On

LAUNDRY



PROGRAMS 10

Sensor Dry

Cotton/Normal, Perm. Press, Delicates, SteamFresh™, SteamSanitary™, Bulky/Large, Anti-Bacterial, Download/Super Dry

Manual Dry

Speed Dry, Air Dry

OPTIONS 10

More Time, Less Time, Custom Program, Damp Dry Signal, Wrinkle Care, Child Lock, Signal On/Off, ReduceStatic™, EasyIron™, Energy Saver



DIMENSIONS

Product Width	A	27"
Product Depth	B	29 3/4"
Product Height	C	38 11/16"
With Door Open	D	51"
Back Clearance	E	5"
Side Clearance	F	1"
Carton (WxHxD, inch)	29 7/10" x 43 1/5" x 31 3/10"	
Weight (Product, lbs)	134.1	
Weight (Carton, lbs)	147.3	

OPTIONS

Pedestal	WDP4W, WDP4R, WDP4V
Stacking Kit	KSTK1
Pedestal (WxHxD)	27" x 14 1/8" x 28 2/5"
Conversion Kit	4948EL4002B
Side Venting Kit	3911EZ9131X
Matching Washer	WM3370HWA

CONVENIENCE FEATURES

LoDecibel™ Quiet Operation • SmartDiagnosis™ • FlowSense™ Duct Clogging Indicator • Anti-Bacterial Cycle • Wrinkle Care Option • Remaining Time Display/Status Indicator(s) • End of Cycle Signal • Child Lock • Drum Light • Reversible Door • Leveling Legs 4

UPC CODE / WARRANTY

UPC CODE	048231 014069
Colors	White
Available Colors	Graphite Steel, White, Wild Cherry Red
Parts & Labor	1 Year

POWER SOURCE

Ratings	CSA Listed
Type	Electric
BTU	20000
Electrical Requirements	240V 30Amps (Electric)

Dimensions and weights are approximate. Design, features and specifications subject to change without notice.