

Item # 1002 060 504; 741 691  
741 687; 739 267  
741 563

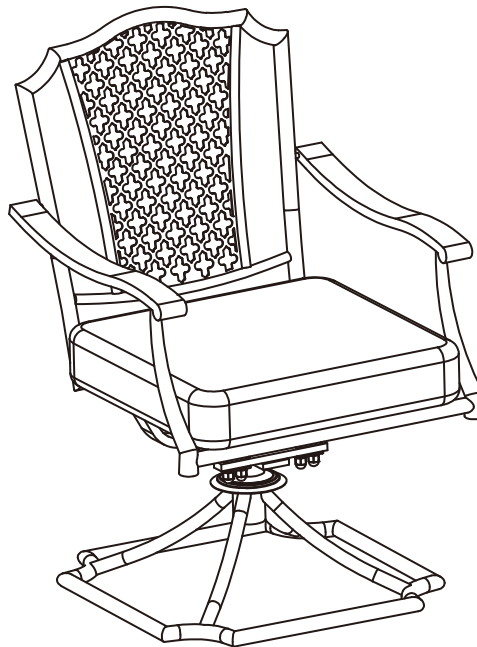


Model # HD17502A; HD17503A  
HD17510; HD17511

## USE AND CARE GUIDE

---

### Alveranda Swivel Rocker



Questions, problems, missing parts? Before returning to the store,  
call Hampton Bay Customer Service

8:00 a.m. - 7:00 p.m., EST, Monday-Friday

9:00 a.m. - 6:00 p.m., EST, Saturday

1-855-HD-HAMPTON

HAMPTONBAY.COM

---

### THANK YOU

We appreciate the trust and confidence you have placed in Hampton Bay through the purchase of this swivel rocker. We strive to continually create quality products designed to enhance your home. Visit us online to see our full line of products available for your home improvement needs. Thank you for choosing Hampton Bay!

# Table of Contents

Table of Contents.....	2	Pre-Assembly.....	3-4
Safety Information.....	2	Planning Assembly.....	3
Warranty.....	2	Hardware Included.....	3
5 Year Frame Limited Warranty.....	2	Package Contents.....	4
2 Year Fabric Limited Warranty.....	2	Assembly .....	5-6
What Is Covered?.....	2		
What Is Not Covered?.....	2		
Care Instructions.....	2		

# Safety Information



**DANGER:** Keep children out of the assembly area before assembly.



**IMPORTANT:** Check the tightness of all bolts at least once every 90 days.



**WARNING:** Do not put heavy objects on the chair.

# Warranty

## 5 YEAR FRAME / 2 YEAR FABRIC LIMITED WARRANTY

### WHAT IS COVERED

We warrant the frame to be free of manufacturing defects to the original purchaser for five years and the fabric for two years.

### WHAT IS NOT COVERED

It remains the customer's responsibility for freight and packaging charges to and from our service center. This warranty does not cover commercial use, hardware, acts of nature, fire, freezing and abusive use. In addition, purchased parts are not covered under this warranty. We reserve the right to make substitutions with similar merchandise, if the model in question is no longer in production.

# Care Instructions

Before using, wipe with a clean, dry cloth. Do not use bleach or solvents. Treat the frame with liquid wax for maximum protection against UV light and salty, damp air. When not in use, store furniture in a cool, dry place. If the set includes cushions or mesh fabric, they may be cleaned by hand with a mild solution of soap and water. Rinse cushions thoroughly and allow to drip dry. Do not machine wash or tumble dry, as cushions may shrink. Do not use bleach or solvents on fabrics. When cleaning the chair make sure to use a soft, clean cloth that does not bleed color.

You may contact our customer service department with any questions by phone at 1-855-HD-HAMPTON or visit [www.hamptonbay.com](http://www.hamptonbay.com).

# Pre-Assembly

## PLANNING ASSEMBLY

Assemble this product on a blanket, towel or other soft, non-abrasive surface to avoid scratching the finish.

## HARDWARE INCLUDED



NOTE: Hardware not shown to actual size.



\_\_\_AA



\_\_\_BB



\_\_\_CC



\_\_\_DD



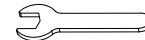
\_\_\_EE



\_\_\_FF



\_\_\_GG



\_\_\_HH

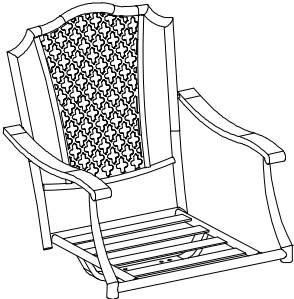


\_\_\_II

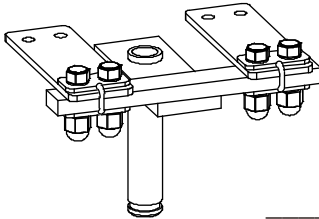
Part	Description	Quantity
AA	Steel Plate	8
BB	Bolt (M8 x 40 mm)	8
CC	Metal Washer (M8)	8
DD	Lock Washer (M8)	8
EE	Nut (M8)	8
FF	Plastic Bolt Cap (M8)	8
GG	Plastic Nut Cap (M8)	8
HH	Hex Wrench (M8)	1
II	Socket Wrench (M8)	1

# Pre-Assembly (continued)

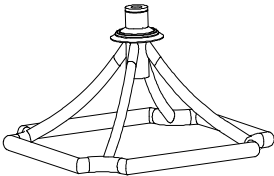
## PACKAGE CONTENTS



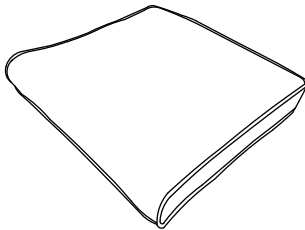
\_\_\_\_\_ **A**



\_\_\_\_\_ **C**



\_\_\_\_\_ **B**



\_\_\_\_\_ **D**

Part	Description	Quantity
A	Arms and Seat Frame	2
B	Base	2
C	T-Rock Mechanism	2
D	Seat Cushion	2

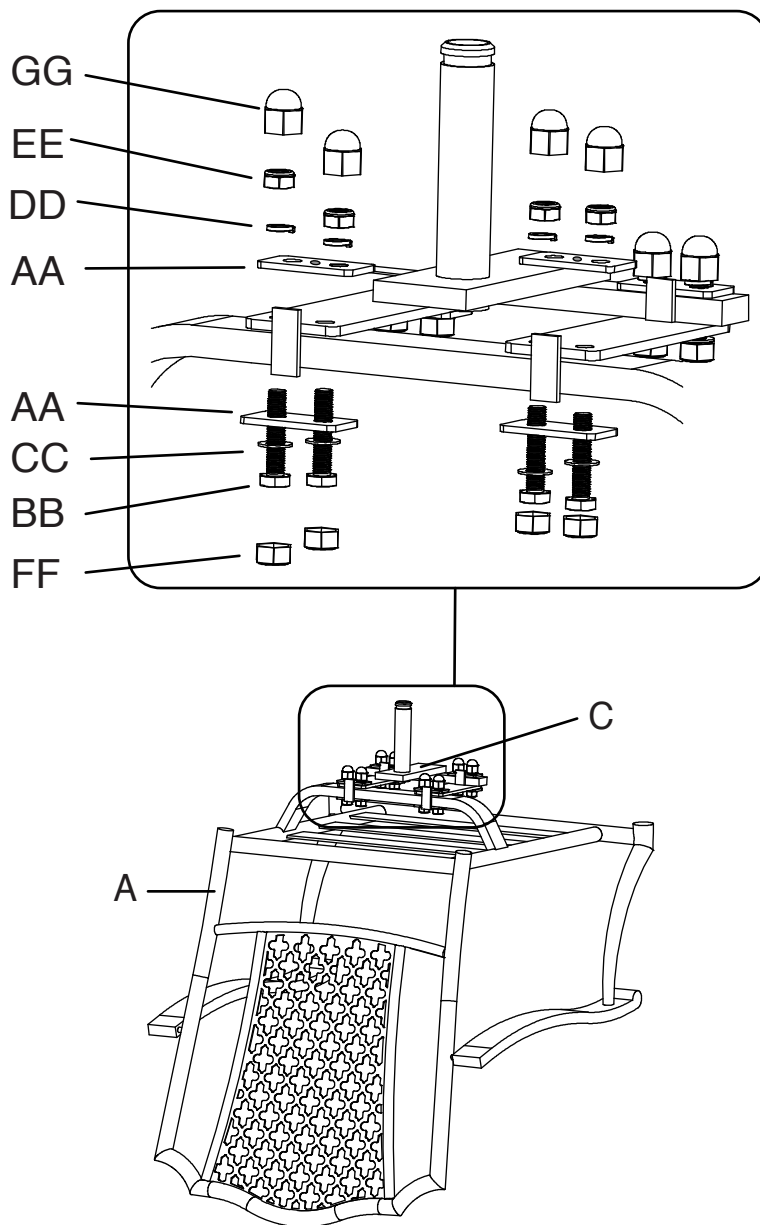
## 1 Attaching the T-Rock mechanism to the arms and seat frame

- Attach the T-Rock mechanism (C) to the center crossbar on the bottom of the arms and seat frame (A) in the following order: Bolts (BB); metal washers (CC); rectangular steel plates (AA); arm and seat frame (A); T-Rock mechanism (C); rectangular steel plates (AA); lock washers (DD); and nuts (EE). Tighten carefully with the hex wrench (HH) and socket wrench (II).
- Cover all bolts and nuts with plastic caps (FF and GG).



**IMPORTANT:**

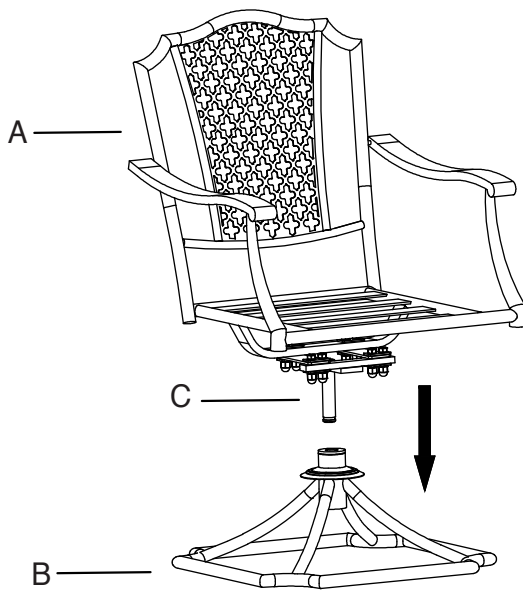
The seat through the crossbar into the swivel-rock mechanism, starting closest to the bottom of the seat. The rectangular steel plates are used on EACH side, as noted above. Make sure the previously screwed section of the swivel-rock mechanism is FACING FORWARD.



## Assembly (continued)

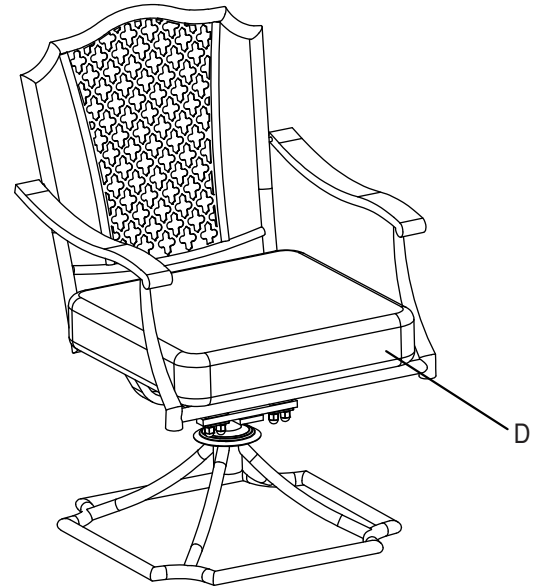
### 2 Inserting the chair frame to the base

- Turn over the completed chair frame (A and C) and carefully insert it into the chair base (B). Please make sure the chair frame is fully inserted onto the base by using a twisting downward motion as you assemble.



### 3 Placing the seat cushion

- Place the seat cushion (D) on the chair and attach with the velcro ties. Your chair is now ready for use, so relax & enjoy!





Questions, problems, missing parts? Before returning to the store,  
call Hampton Bay Customer Service  
8:00 a.m. - 7:00 p.m., EST, Monday-Friday  
9:00 a.m. - 6:00 p.m., EST, Saturday

1-855-HD-HAMPTON

HAMPTONBAY.COM

Retain this manual for future use.