

# Z525E, Z535M, Z535R, Z540M and Z540R ZTrak™



JOHN DEERE

## OPERATOR'S MANUAL

### Z500 Series ZTrak™

OMGX26263 ISSUE F5 (ENGLISH)

#### CALIFORNIA

##### Proposition 65 Warning

Diesel engine exhaust and some of its constituents are known to the State of California to cause cancer, birth defects, and other reproductive harm.

If this product contains a gasoline engine:

#### **WARNING**

The engine exhaust from this product contains chemicals known to the State of California to cause cancer, birth defects or other reproductive harm.

The State of California requires the above two warnings.  
Additional Proposition 65 Warnings can be found in this manual.

### John Deere Power Products

North American Edition  
Printed in U.S.A.



# Introduction

---

## Thank You for Purchasing a John Deere Product

We appreciate having you as a customer and wish you many years of safe and satisfied use of your machine.

## Using Your Operator's Manual

This manual is an important part of your machine and should remain with the machine when you sell it.

Reading your operator's manual will help you and others avoid personal injury or damage to the machine. Information given in this manual will provide the operator with the safest and most effective use of the machine. Knowing how to operate this machine safely and correctly will allow you to train others who may operate this machine.

If you have an attachment, use the safety and operating information in the attachment operator's manual along with the machine operator's manual to operate the attachment safely and correctly.

This manual and safety signs on your machine may also be available in other languages (see your authorized dealer to order).

Sections in your operator's manual are placed in a specific order to help you understand all the safety messages and learn the controls so you can operate this machine safely. You can also use this manual to answer any specific operating or servicing questions. A convenient index located at the end of this book will help you to find needed information quickly.

The machine shown in this manual may differ slightly from your machine, but will be similar enough to help you understand our instructions.

RIGHT-HAND and LEFT-HAND sides are determined by facing in the direction the machine will travel when going forward. When you see a broken line (-----), the item referred to is hidden from view.

Before delivering this machine, your dealer performed a predelivery inspection to ensure best performance.

## Special Messages

Your manual contains special messages to bring attention to potential safety concerns, machine damage as well as helpful operating and servicing information. Please read all the information carefully to avoid injury and machine damage.



**CAUTION: Avoid injury! This symbol and text highlight potential hazards or death to the operator or bystanders that may occur if the hazards or procedures are ignored.**

**IMPORTANT: Avoid damage! This text is used to tell the operator of actions or conditions that might result in damage to the machine.**

*NOTE: General information is given throughout the manual that may help the operator in the operation or service of the machine.*

# Contents

## Contents

|                                   |    |
|-----------------------------------|----|
| Introduction . . . . .            | 2  |
| Product Identification . . . . .  | 3  |
| Safety Labels Text . . . . .      | 4  |
| Safety Labels No Text . . . . .   | 7  |
| Safety . . . . .                  | 9  |
| Machine Cleanout . . . . .        | 14 |
| Assembly . . . . .                | 15 |
| Operating Controls . . . . .      | 17 |
| Operating . . . . .               | 18 |
| Service Intervals . . . . .       | 28 |
| Service Lubrication . . . . .     | 29 |
| Service Engine . . . . .          | 29 |
| Service Transmission . . . . .    | 38 |
| Service Mower . . . . .           | 41 |
| Service Electrical . . . . .      | 46 |
| Service Miscellaneous . . . . .   | 47 |
| Troubleshooting . . . . .         | 51 |
| Storage . . . . .                 | 52 |
| Specifications . . . . .          | 53 |
| Warranty . . . . .                | 55 |
| Getting Quality Service . . . . . | 57 |
| Service Record . . . . .          | 58 |
| Slope Gauge . . . . .             | 59 |

## Product Identification

### Record Identification Numbers

#### Zero Turn Mowers

PIN (010001-)

If you need to contact an Authorized Service Center for information on servicing, always provide the product model and identification numbers.

You will need to locate the model and serial number for the machine, engine and transmission/transaxle of your machine and record the information in the spaces provided below.

DATE OF PURCHASE:

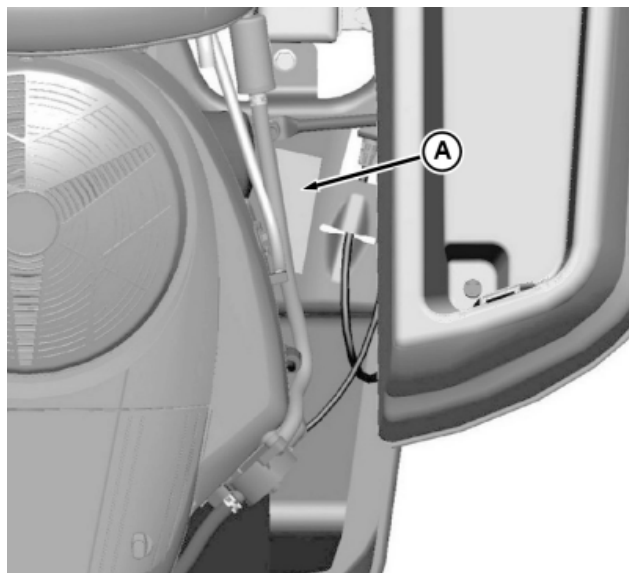
\_\_\_\_\_

DEALER NAME:

\_\_\_\_\_

DEALER PHONE:

\_\_\_\_\_



GXT002512—UN—15JUL15

#### Product Identification Number (A):

\_\_\_\_\_

#### Engine Serial Number:

All - On engine blower housing.

\_\_\_\_\_

#### Transaxle Serial Numbers:

S/N tag on forward side of each transaxle housing.

LEFT SIDE:

\_\_\_\_\_

RIGHT SIDE:

\_\_\_\_\_

### Register Your Product and Warranty Online

To register your product through the Internet, simply go to [www.JohnDeereWarrantyRegistration.com](http://www.JohnDeereWarrantyRegistration.com). Completing the information, either online or with the product warranty card, will ensure the customer

*Original Instructions. All information, illustrations and specifications in this manual are based on the latest information available at the time of publication.*

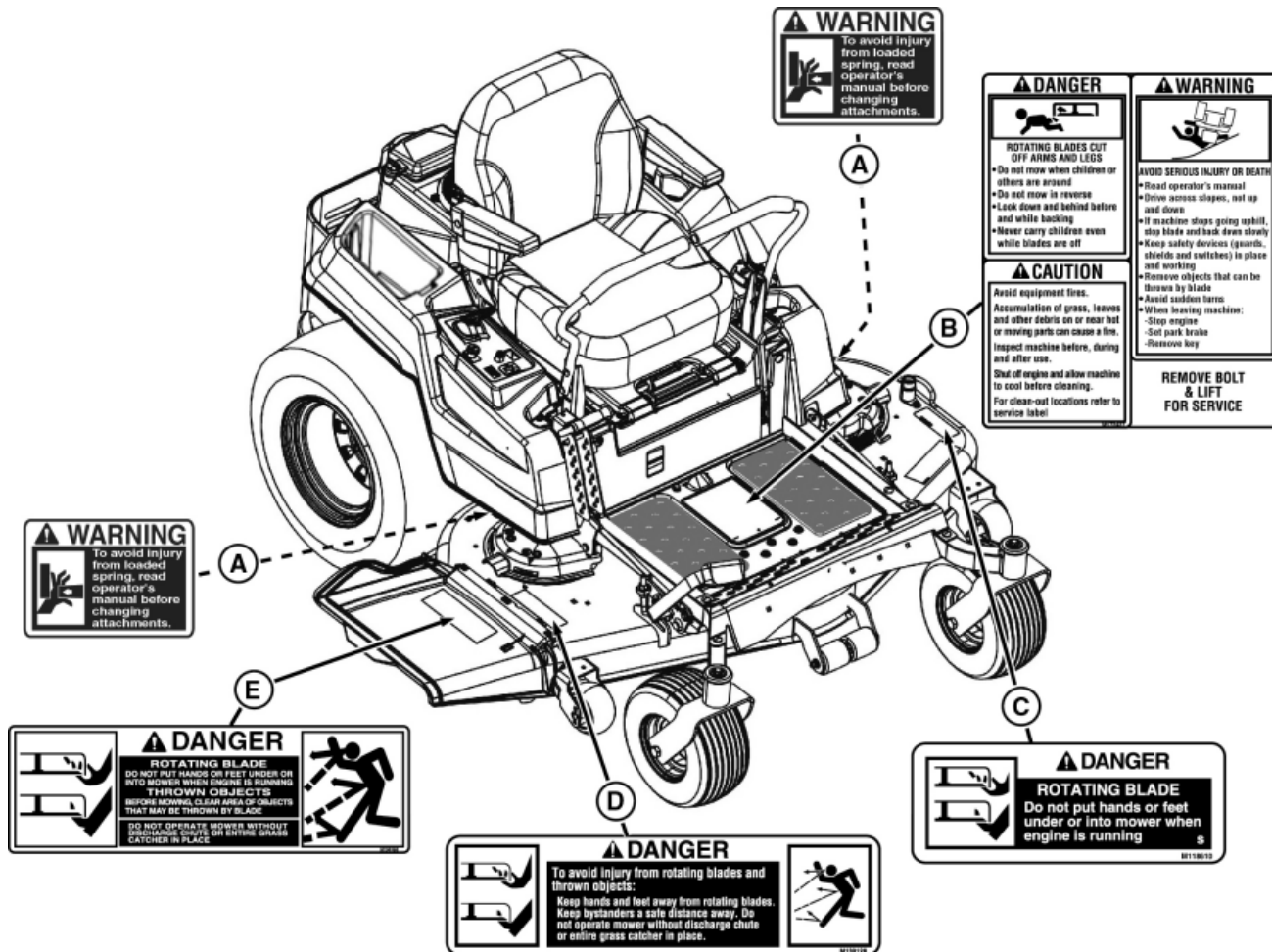
*The right is reserved to make changes at any time without notice.*

# Safety Labels Text

that their product receives all post sales service and important product information.

## Safety Labels Text

## Safety Label Location



Z540R Model Shown

GXT002421—UN—15JUL15

A — WARNING M146577  
B — DANGER, CAUTION, WARNING M172427  
C — DANGER M118610

D — DANGER M139128  
E — DANGER M156388

## Understanding The Machine Safety Labels



MXAL42363—UN—22MAY13

The machine safety labels shown in this section are placed in important areas on your machine to draw attention to potential safety hazards.

On your machine safety labels, the words DANGER, WARNING, and CAUTION are used with this safety-alert symbol. DANGER identifies the most serious hazards.

The operator's manual also explains any potential safety hazards whenever necessary in special safety messages that are identified with the word, CAUTION, and the safety-alert symbol.

Replace missing or damaged safety labels. Use this operator's manual for correct safety label placement.

There can be more safety information contained on parts and components sourced from suppliers that is not reproduced in this operator's manual.

# Safety Labels Text

---

## French or Spanish Safety Labels and Operator's Manual

Operator's manuals and safety labels with content in French or Spanish are available for this machine through authorized John Deere dealers. See your John Deere dealer.

*NOTE: Both text and no-text labels are shown. Your machine is only equipped with one of these types of labels.*

## WARNING



MXAL42769—UN—09APR13

- To avoid injury from loaded spring, read operator's manual before changing attachments.

## DANGER



GXT002171—UN—04JUN15

## ROTATING BLADES CUT OFF ARMS AND LEGS

- Do not mow when children or others are around.
- Do not mow in reverse.
- Look down and behind before and while backing.
- Never carry children even while blades are off.

# Safety Labels Text

## CAUTION

Avoid equipment fires.

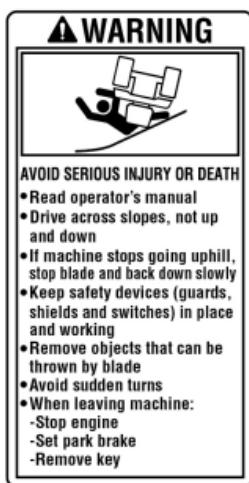
Accumulation of grass, leaves and debris on or near hot or moving parts can cause a fire.

Inspect machine before, during and after use.

Shut off engine and allow machine to cool before cleaning.

For clean-out locations refer to service label.

## WARNING



GXT002172—UN—04JUN15

### AVOID SERIOUS INJURY OR DEATH

- Read operator's manual.
- Drive across slopes, not up and down.
- If machine stops going uphill, stop blade and back down slowly.
- Keep safety devices (guards, shields, and switches) in place and working.
- Remove objects that can be thrown by blade.
- Avoid sudden turns.
- When leaving machine:
  - Stop engine
  - Lock park brake
  - Remove key

## DANGER



MXAL42774—UN—09APR13

### ROTATING BLADE

- Do not put hands or feet under or into mower when engine is running.

## DANGER

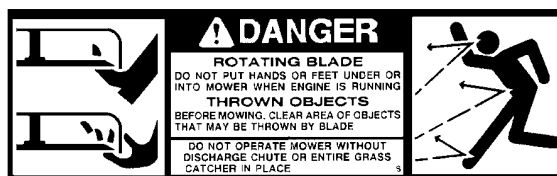


MXAL42773—UN—09APR13

### To avoid injury from rotating blades and thrown objects:

- Keep hands and feet away from rotating blades. Keep bystanders a safe distance away. Do not operate mower without discharge chute or entire grass catcher in place.

## DANGER



MXAL42770—UN—09APR13

### ROTATING BLADE

- Do not put hands or feet under or into mower when engine is running.

### THROWN OBJECTS

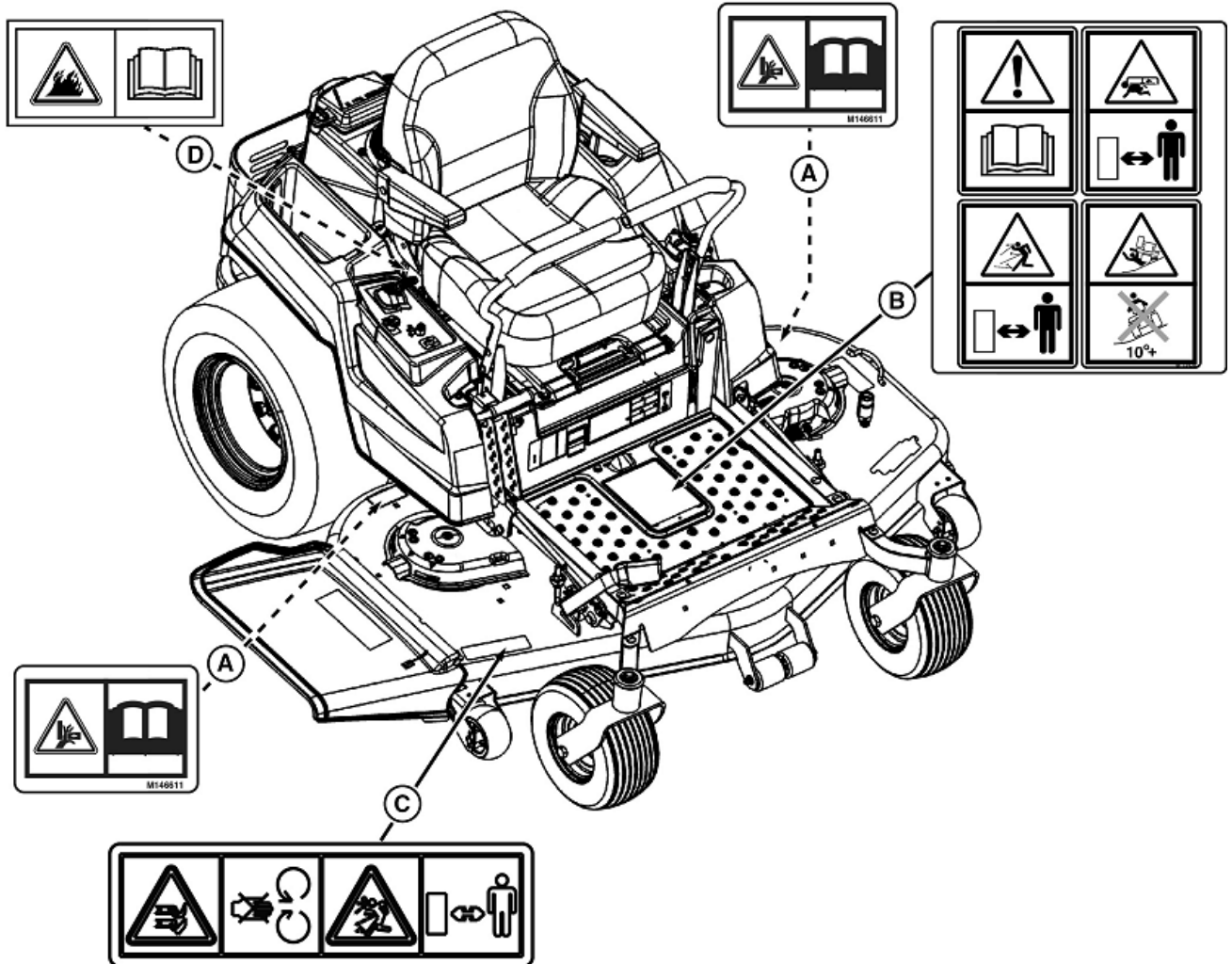
- Before mowing, clear area of objects that may be thrown by blade.
- Do not operate mower without discharge chute or entire grass catcher in place.

DO NOT OPERATE MOWER WITHOUT DISCHARGE CHUTE OR THE ENTIRE GRASS CATCHER IN PLACE.

# Safety Labels No Text

## Safety Labels No Text

### Safety Label Location



GXT002330—UN—15JUL15

A — Avoid Injury From Loaded Spring M146577  
 B — Read Operator's Manual, Avoid Injury From Thrown Objects, Keep Children Away From Mower, Avoid Injury From Tipping M172428

C — Avoid Injury From Thrown Objects, Avoid Injury From Rotating Blades M138631  
 D — Prevent Equipment Fires GX24573

## Understanding The No-Text Machine Safety Labels

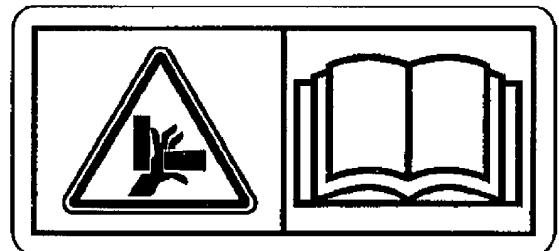


TCT005498—UN—11SEP12

At several important places on this machine safety signs are affixed intended to signify potential danger. The hazard is identified by a pictorial in a warning triangle. An adjacent pictorial provides information how to avoid personal injury. These safety signs, their placement on the machine and a brief explanatory text are shown in this Safety section.

There can be additional safety information contained on parts and components sourced from suppliers that is not reproduced in this operator's manual.

## Avoid Injury From Loaded Spring

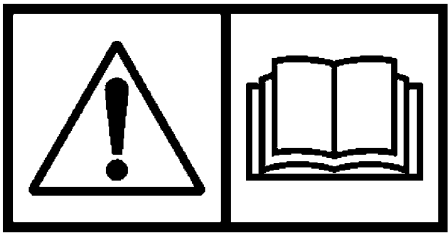


MXAL42777—UN—09APR13

- Keep fingers and hands away from pinch point.
- Read operator's manual.

# Safety Labels No Text

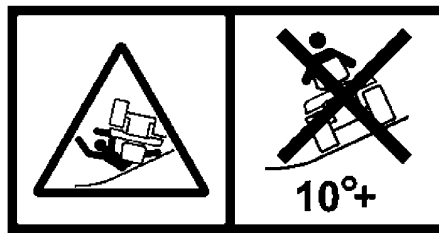
## Read Operator's Manual



MXAL42776—UN—09APR13

- This operator's manual contains important information necessary for safe machine operation.
- Carefully read operator's manual before operating machine. Observe all safety rules to avoid accidents.

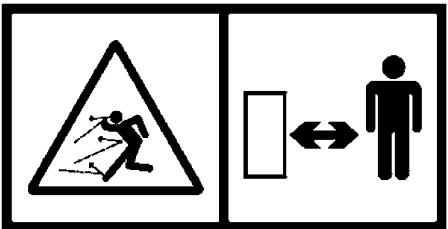
## Avoid Injury From Tipping



MXAL42779—UN—09APR13

- Do not drive where machine could slip, tip, or rollover.
- In some configurations, do not drive or operate on a slope of more than 10 degrees.
- Refer to the Operating on Slopes section for more information.

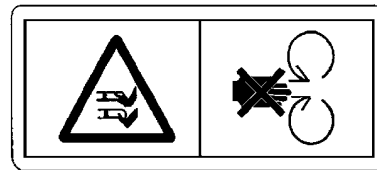
## Avoid Injury From Thrown Objects



MXAL42780—UN—09APR13

- Keep a safe distance from the machine as long as the engine is running.

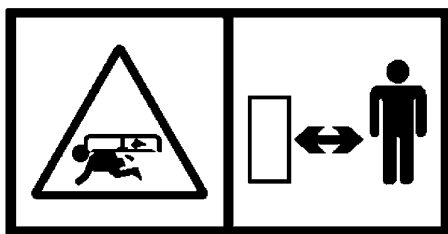
## Avoid Injury From Rotating Blades



MXAL42784—UN—09APR13

- Do not put hands or feet under or into mower when engine is running.
- Do not operate mower without discharge chute or entire grass catcher in place.

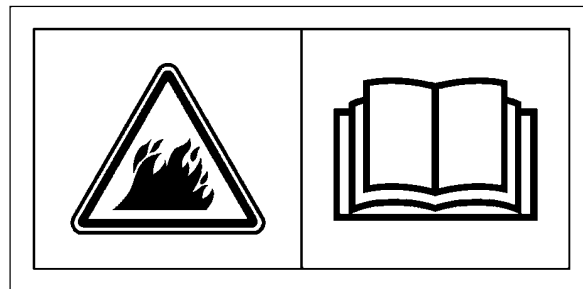
## Keep Children Away from Mower



MXAL42778—UN—09APR13

- Mower can cause dismemberment or death.
- Stay a safe distance from the machine.
- Make sure that children stay clear of mower at all times when the engine is running.

## Prevent Equipment Fires



MXAL42781—UN—09APR13

- Clean and inspect the entire machine.
- Carefully read Operator's Manual Machine Cleanout section for details.



# Safety

## Safety

### Operating Safely



GXAL42347—UN—04MAR13

This cutting machine is capable of amputating hands and feet and throwing objects. Failure to observe the following safety instructions could result in serious injury or death.

- Read, understand and follow all instructions on the machine and in manuals provided, and view safety video, before starting. Be thoroughly familiar with the controls and the proper use of the machine before starting.
- Do not put hands or feet near rotating parts or under the machine. Keep clear of the discharge opening at all times.
- Only allow responsible adults, who are familiar with the instructions, to operate this machine. Local regulations may restrict the age of the operator.
- Clear the area of objects such as rocks, wire and toys which could be thrown by the blades.
- Be sure the area is clear of bystanders before operating. Stop machine if anyone enters the area.
- Never carry passengers.
- Do not mow in reverse unless absolutely necessary. Always look down and behind before and while backing.
- Never direct discharged material toward anyone. Avoid discharging material against a wall or obstruction. Material may ricochet back toward the operator. Stop the blades when crossing gravel surfaces.
- Do not operate the machine without the entire grasscatcher, discharge guard, or other safety devices in place and working. Never operate with the discharge deflector raised, removed, or altered, unless using a grasscatcher.
- Slow down before turning.
- Never leave a running machine unattended. Always turn off blades, lock park brake, stop engine and remove key before dismounting.
- Disengage blades when not mowing. Shut off engine and wait for all parts to come to a complete stop before cleaning the machine, removing the grasscatcher, or unclogging the discharge chute.
- Operate machine only in daylight or good artificial light.
- Do not operate the machine while under the influence of alcohol or drugs.
- Watch for traffic when operating near or crossing roadways. Stop blades before crossing roads or sidewalks.
- Use extra care when loading or unloading the machine into a trailer or truck.
- Always wear safety goggles or safety glasses with side shields when operating machine.
- Data indicates operators 60 years and above are involved in a large percentage of riding mower-related injuries. These operators should evaluate their ability to operate the riding mower safely enough to protect themselves and others from serious injury.
- Follow the manufacturer's recommendation for wheel weights or counterweights.
- Inspect machine before you operate. Be sure hardware is tight. Repair or replace damaged, badly worn, or missing parts. Be sure guards and shields are in good condition and fastened in place. Make any necessary adjustments before you operate.
- Before using, always visually inspect to see that the blades, blade bolts and the mower assembly are not worn and damaged. Replace worn and damaged blades and bolts in sets to preserve balance.

- Make sure spark plug, muffler, fuel cap and air cleaner are in place before starting the engine.
- Be sure all drives are in neutral and parking brake is locked before starting engine. Only start engine from the operator's position.
- Do not change the engine governor settings or overspeed the engine. Operating the engine at excessive speed can increase the hazard of personal injury.
- If you hit an object or if abnormal vibration occurs, stop the machine and inspect it. Make repairs before you operate.
- Use only accessories and attachments approved by the manufacturer of the machine. Keep safety labels visible when installing accessories and attachments.
- Do not wear radio or music headphones. Safe service and operation requires your full attention.
- When machine is left unattended, stored, or parked, lower the mower deck unless a positive mechanical lock is used.

### Using a Spark Arrestor

The California Public Resources Code, section 4442.5 provides as follows:

No person shall sell, offer for sale, lease, or rent to any person any internal combustion engine subject to Section 4442 or 4443, and not subject to Section 13005 of the Health and Safety Code, unless the person provides a written notice to the purchaser or bailee, at the time of sale or at the time of entering into the lease or rental contract, stating that it is a violation of Section 4442 or 4443 to use or operate the engine on any forest-covered, brush-covered, or grass-covered land unless the engine is equipped with a spark arrestor, as defined in Section 4442, maintained in effective working order or the engine is constructed, equipped, and maintained for the prevention of fire pursuant to Section 4443. Cal. Pub. Res. Code 4442.5.

Other states or jurisdictions may have similar laws. A spark arrestor for your machine may be available from your authorized dealer. An installed spark arrestor must be maintained in good working order by the operator.

### Checking Mowing Area



MXAL41932—UN—22MAY13

- Clear mowing area of objects that might be thrown. Keep people and pets out of mowing area.
- Low-hanging branches and similar obstacles can injure the operator or interfere with mowing operation. Before mowing, identify potential obstacles such as low-hanging branches, and trim or remove those obstacles.
- Study mowing area. Set up a safe mowing pattern. Do not mow where traction or stability is doubtful.
- Test drive area with mower lowered (if equipped) but not running. Slow down when you travel over rough ground.
- Survey all mowing sites to determine which slopes are safe for machine operation and which slopes should be maintained through other maintenance techniques.

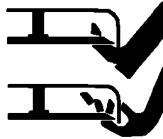
### Parking Safely

1. Stop machine on a level surface, not on a slope.
2. Disengage mower blades or any other attachments.
3. Lower attachments to the ground.

# Safety

4. Lock the park brake.
5. Stop the engine.
6. Remove the key.
7. Wait for engine and all moving parts to stop before you leave the operator's seat.
8. Close fuel shut-off valve, if your machine is equipped.
9. Disconnect the negative battery cable or remove the spark plug wire(s) (for gasoline engines) before servicing the machine.

## Rotating Blades are Dangerous

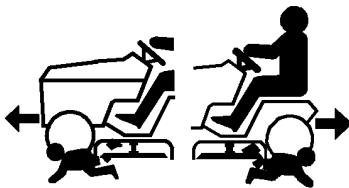


MXAL41928—UN—18FEB13

### HELP PREVENT SERIOUS OR FATAL ACCIDENTS:

- Rotating blades can cut off arms and legs, and throw objects. Failure to observe safety instructions could result in serious injury or death.
- Keep hands, feet and clothing away from mower deck when engine is running.
- Be alert at all times, drive forward and in reverse carefully. People, especially children can move quickly into the mowing area before you know it.
- Before backing up, stop mower blades or attachments and look down and behind the machine carefully, especially for children.
- Do not mow in reverse.
- Shut off blades when you are not mowing.
- Park machine safely before leaving the operator's station for any reason including emptying the grasscatchers or unplugging the chute.
- The mower blades should stop in approximately five seconds when the mower is disengaged. If you believe that your blades may not be stopping in that period of time, take your machine to your authorized dealer where they can safely check and service your machine.

## Protect Children



MXAL41929—UN—18FEB13

- Death or serious injury can occur when young children associate having fun with a lawn mowing machine simply because someone has given them a ride on a machine.
- Children are attracted to lawn mowing machines and mowing activities. They don't understand the dangers of rotating blades or the fact that the operator is unaware of their presence.
- Children who have been given rides in the past may suddenly appear in the mowing area for another ride and be run over or backed over by the machine.
- Tragic accidents with children can occur if the operator is not alert to the presence of children, especially when a child approaches a machine from behind. Before and while backing up, stop mower blades and look down and behind the machine carefully, especially for children.

- Never carry children on a machine or attachment, even with the blades off. Do not tow children in a cart or trailer. They can fall off and be seriously injured or interfere with safe machine operation.
- Never use the machine as a recreational vehicle or to entertain children.
- Never allow children or an untrained person operate the machine. Instruct all operators not to give children a ride on the machine or in an attachment.
- Keep children indoors, out of the mowing area, and in the watchful eye of a responsible adult, other than the operator, when a mower is being operated.
- Stay alert to the presence of children. Never assume that children will remain where you last saw them. Turn the machine off if a child enters the work area.
- Use extreme care when approaching blind corners, shrubs, trees, or other objects that may block your view of a child.

## Operating on Slopes

*NOTE: Use the Slope Gauge Template provided in the back of this operators manual. Follow the instructions included with the template.*

- Slopes are a major factor related to loss-of-control and tipover accidents, which can result in severe injury or death. Operation on all slopes requires extra caution.

### Identify Slopes for Safe Operation

- Follow safe procedures for operation on slopes. Measure slopes of all mowing sites to determine which slopes are safe for mowing with a ride-on mower. Always use common sense and good judgement when performing this survey.

### Measuring Slopes

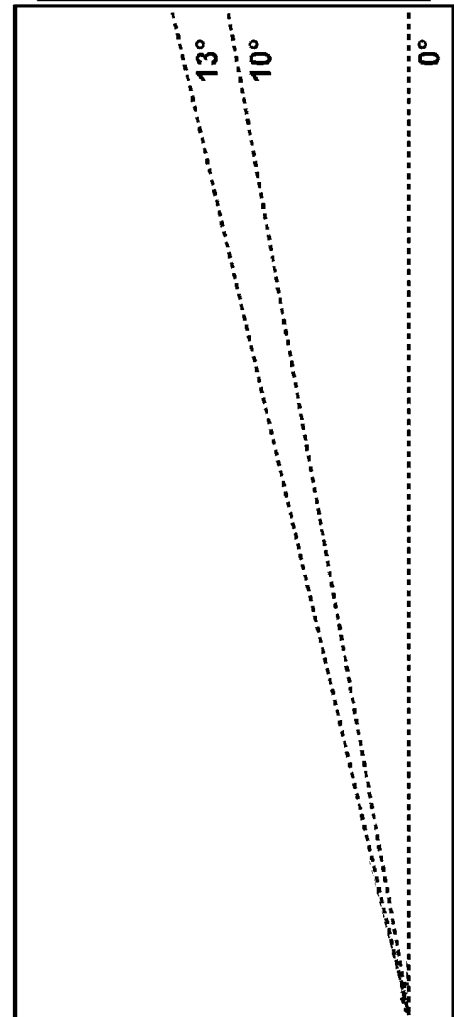
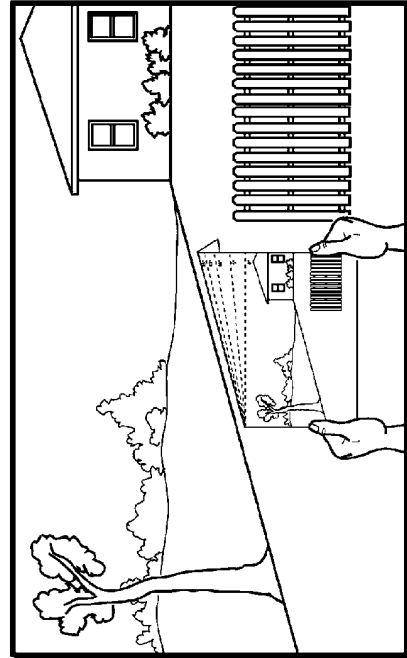
- Suggested Method 1: Lay a straight piece of sturdy lumber 1.2 m (4 ft) long on the slope and measure the angle of the slope with an angle indicator or protractor level.
- Suggested Method 2: Refer to the slope gauge provided at the end of this manual.

### Operate Safely on Slopes

- Exceeding the recommended maximum slope angle increases the risk of rollover accidents that can result in serious injury or death.
- Never mow or operate ride-on mower on slope angles greater than 13° with the lawn ride-on mower in its basic configuration. The basic configuration is the ride-on mower with mower deck and not other attachments. (A 13° slope is a slope that rises 1.4 m (4.6 ft) over a horizontal distance of 6.1 m (20 ft).)
- When using attachments, never mow or operate the ride-on mower on slope angles greater than 10°. The addition of a weather enclosure, material collection system, or other attachments will increase the risk of a rollover. (A 10° slope is a slope that rises 1 m (3.5 ft) over a horizontal distance of 6.1 m (20 ft).)
- On slope angles of 10° or less, the risk of rollover is low, but as the slope angle increases to the recommended maximum, the risk increases to a medium level.
- Always consider potential turf conditions and slope angles when determining the risk of loss-of-control and tip-over accidents.
- Drive slowly when mowing or operating on slopes.
- If you feel uneasy on a hillside, do not mow or operate on it.
- Mow across slopes, not up and down.
- Watch for holes, ruts, bumps, rocks, or other hidden objects. Uneven terrain could overturn the ride-on mower. Tall grass can hide obstacles.
- Drive slowly so you will not have to stop while on a slope.
- Do not mow on wet grass. Tires may lose traction. Tires may slip on slopes even though the brakes are functioning properly.

# Safety

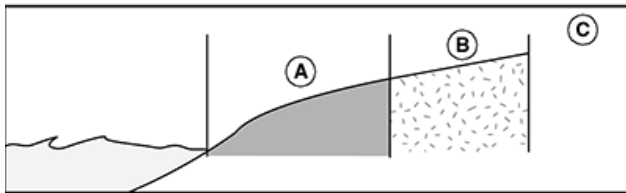
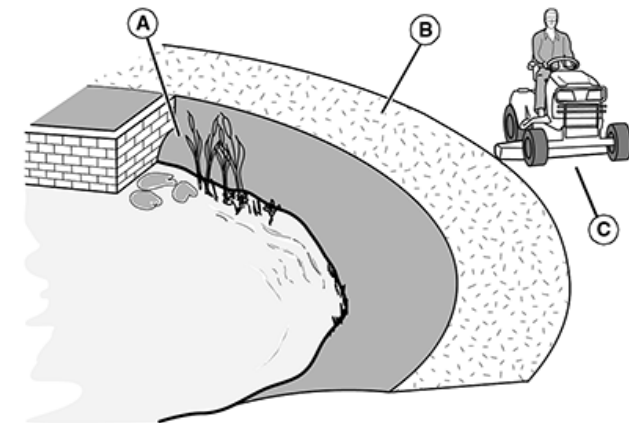
- Avoid starting, stopping or turning on a slope. If the tires lose traction, disengage the PTO and proceed slowly, straight down the slope.
- Keep all movement on slopes slow and gradual. Do not make sudden changes in speed or direction, which could cause the ride-on mower to roll over.



MXT005363—UN—10JUL13

# Safety

## Operating Near Hazards



GXAL41966—UN—04MAR13

Example side view of slope and hazards, showing areas (A), (B), and (C).

- Do not mow or operate machine in areas adjacent to hazards that may cause the machine to roll over. The machine could suddenly lose traction, slide, and/or roll over if a wheel goes over the edge or if the edge breaks away.
- Hazards (A) include but are not limited to:
  - Drop-offs, ditches, embankments, or bodies of water.
  - Areas of unsafe slope, soft ground, edges along bodies of water, or area with holes, ruts, bumps, or other hidden objects.
- Maintain a buffer area (B) at least as wide as the machine between hazards (A) and the mowing area (C). Do not mow or operate the machine in the hazard area or buffer area.
- Only mow or operate the machine in the mowing area (C). Do not exceed the recommended slope operating angle. Refer to the "Operate Safely on Slopes" section.
- Use a walk-behind mower or string trimmer in and around areas (A) and (B).

## Keep Riders Off



MXAL41930—UN—18FEB13

- Only allow the operator on the machine. Keep riders off.
- Riders on the machine or attachment may be struck by foreign objects or thrown off the machine causing serious injury.
- Riders obstruct the operator's view resulting in the machine being operated in an unsafe manner.

## Towing Loads Safely

- Stopping distance increases with speed and weight of towed load. Travel slowly and allow extra time and distance to stop.
- Total towed weight must not exceed combined weight of pulling machine, ballast and operator. Use counterweights or wheel weights as described in the attachment or pulling machine operator's manual.

- Excessive towed load can cause loss of traction and loss of control on slopes. Reduce towed weight when operating on slopes.
- Never allow children or others in or on towed equipment.
- Use only approved hitches. Tow only with a machine that has a hitch designed for towing. Do not attach towed equipment except at the approved hitch point.
- Follow the manufacturer's recommendations for weight limits for towed equipment and towing on slopes.
- Towed attachments will increase the risk of rollover. Refer to the "Operating on Slopes" section for more information.
- Do not turn sharply. Use additional caution when turning or operating under adverse surface conditions. Use care when reversing.
- Do not shift to neutral and coast downhill.

## Wear Appropriate Clothing



MXAL41935—UN—18FEB13

- Always wear eye protection when operating the machine.
- Wear close fitting clothing and safety equipment appropriate for the job.
- While operating this machine, always wear substantial footwear and long trousers. Do not operate the equipment when barefoot or wearing open sandals.
- Wear a suitable protective device such as earplugs. Loud noise can cause impairment or loss of hearing.

## Driving Safely on Public Roads



MXAL42880—UN—26MAR13

Avoid personal injury or death resulting from a collision with another vehicle on public roads:

- Use safety lights and devices. Slow moving machines are hard to see, especially at night.
- Whenever driving on public roads, use flashing warning lights and turn signals according to local regulations. Extra flashing warning lights may need to be installed.

## Practice Safe Maintenance



MXAL41933—UN—18FEB13

- Only qualified, trained adults should service this machine. Understand service procedure before doing work.
- Never operate machine in a closed area where dangerous carbon monoxide fumes can collect.
- Keep all nuts and bolts tight, especially blade attachment bolts, to be sure the equipment is in safe working condition.

# Safety

- Never tamper with safety devices. Check their proper operation regularly.
- Keep machine free of grass, leaves or other debris build-up. Clean up oil or fuel spillage and remove any fuel-soaked debris. Allow the machine to cool before storing.
- If you strike a foreign object, stop and inspect the machine. Repair, if necessary, before restarting.
- Never make any adjustments or repairs with the engine running. Wait for all movement to stop on machine before adjusting, cleaning or repairing.
- Check grasscatcher components and the discharge guard frequently and replace with manufacturer's recommended parts, when necessary. Grasscatcher components are subject to wear, damage, and deterioration which could expose moving parts or allow objects to be thrown.
- Mower blades are sharp. Wrap the blade or wear gloves, and use extra care when servicing them. Only replace blades. Never straighten or weld them.
- Check brake operation frequently. Adjust and service as required.
- Maintain or replace safety and instruction labels, as necessary.
- On multi-bladed machines, take care as rotating one blade can cause other blades to rotate.
- Keep hands, feet, clothing, jewelry, and long hair away from any moving parts, to prevent them from getting caught.
- Lower any attachments to the ground before cleaning or servicing machine. Disengage all power and stop the engine. Lock park brake and remove the key. Let machine cool.
- Securely support any machine elements that must be raised for service work. Use jack stands or lock service latches to support components when needed.
- Disconnect battery or remove spark plug wire (for gasoline engines) before making any repairs. Disconnect negative terminal first and positive last. Install positive terminal first and negative last.
- Before servicing machine or attachment, carefully release pressure from any components with stored energy, such as hydraulic components or springs.
- Keep all parts in good condition and properly installed. Fix damage immediately. Replace worn or broken parts.
- Charge batteries in an open, well-ventilated area, away from sparks. Unplug battery charger before connecting or disconnecting from the battery. Wear protective clothing and use insulated tools.
- Do not strike the flywheel with a hammer or hard object because the flywheel may later shatter during operation.
- If equipped with hydraulic lift - release hydraulic pressure by lowering attachment or cutting units to the ground or to a mechanical stop and move hydraulic control levers back and forth.

## Avoid High Pressure Fluids



MXAL41927—UN—18FEB13

- Hydraulic hoses and lines can fail due to physical damage, kinks, age, and exposure. Check hoses and lines regularly. Replace damaged hoses and lines.
- Hydraulic fluid connections can loosen due to physical damage and vibration. Check connections regularly. Tighten loose connections.
- Escaping fluid under pressure can penetrate the skin causing serious injury. Avoid the hazard by relieving pressure before disconnecting hydraulic or other lines. Tighten all connections before applying pressure.
- Search for leaks with a piece of cardboard. Protect hands and body from high pressure fluids.

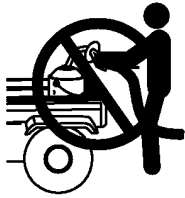
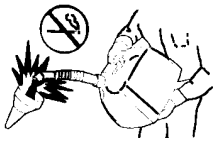
- If an accident occurs, see a doctor immediately. Any fluid injected into the skin must be surgically removed within a few hours or gangrene may result. Doctors unfamiliar with this type of injury should reference a knowledgeable medical source. Such information is available from Deere & Company Medical Department in Moline, Illinois, U.S.A. Information may be obtained in the United States and Canada only by calling 1-800-822-8262.

## Prevent Fires

- Please review these recommendations with all operators. See your John Deere dealer with questions.
- Always follow all safety procedures posted on the machine and in this operator manual. Before carrying out any inspection or cleaning always shut off engine, set parking brake and remove ignition key.
- Besides routine maintenance, one of the best ways to keep your John Deere equipment running efficiently and to reduce fire risk is to regularly remove debris buildup from the machine.
- After operating, allow machine to cool in an open area before cleaning or storing. Do not park machine near flammable materials such as wood, cloth or chemicals, or near an open flame or other sources of ignition, such as a water heater or furnace.
- Completely remove any combustible materials from equipment before storing, by emptying any grass catcher bags, containers and cargo boxes.
- Debris can accumulate anywhere on the machine, especially on horizontal surfaces. Remove grass and debris completely from engine compartment, muffler area, and from on top of the mower deck both before and after operating machine. Additional cleaning may be necessary when mowing or mulching in dry conditions.
- In addition to cleaning machine before using and storing, keeping engine area clean provides the greatest impact on fire prevention. Other areas requiring regular inspection and cleaning include behind wheel rims, wire harness, hose or line routing, mowing attachments, etc. Compressed air, leaf blowers, or high pressured water assists in keeping these areas clean.
- Frequency of these inspections and cleaning will vary depending on a number of factors including operating conditions, machine configuration, operating speeds and weather conditions particularly dry, hot and windy conditions. When you are operating in these conditions, inspect and clean these areas frequently throughout the day.
- Excess lubrication or fuel/oil leaks or spills on the machine can also serve as collection sites for debris. Prompt machine repair and oil and fuel clean-up reduces the potential for debris collection.
- Bearing failures or overheating can result in a fire. To reduce this risk, always follow the instructions in the machine operator's manual regarding lubrication intervals and locations. Contact your local dealer if you have any questions about the lubrication intervals or location and if any unusual noises are coming from areas where bearings might be located. Washing the machine while warm may also reduce bearing life and increase potential for premature bearing failure.
- Always shut off fuel when storing or transporting machine, if the machine has a fuel shutoff.
- Check fuel lines, tank, cap, and fittings frequently for cracks or leaks. Replace if necessary.

# Machine Cleanout

## Handling Fuel Safely



MXAL41938—UN—18FEB13

**To avoid personal injury or property damage, use extreme care in handling fuel. Fuel is extremely flammable and fuel vapors are explosive:**

- Extinguish all cigarettes, cigars, pipes, and other sources of ignition.
- Use only an approved fuel container. Use only non-metal, portable fuel containers approved by the Underwriter's Laboratory (U.L.) or the American Society for Testing & Materials (ASTM). If using a funnel, make sure it is plastic and has no screen or filter.
- Never remove the fuel tank cap or add fuel with the engine running. Allow engine to cool before refueling.
- Never add fuel to or drain fuel from the machine indoors. Move machine outdoors and provide adequate ventilation.
- Clean up spilled fuel immediately. If fuel is spilled on clothing, change clothing immediately. If fuel is spilled near machine, do not attempt to start the engine but move the machine away from the area of spillage. Avoid creating any source of ignition until fuel vapors have dissipated.
- Never store the machine or fuel container where there is an open flame, spark, or pilot light such as on a water heater or other appliance.
- Prevent fire and explosion caused by static electric discharge. Static electric discharge can ignite fuel vapors in an ungrounded fuel container.
- Never fill containers inside a vehicle or on a truck or trailer bed with a plastic liner. Always place containers on the ground away from your vehicle before fueling.
- Remove fuel-powered equipment from the truck or trailer and refuel it on the ground. If this is not possible, then refuel such equipment with a portable container, rather than from a fuel dispenser nozzle.
- Keep the nozzle in contact with the rim of the fuel tank or container opening at all times until the fueling is complete. Do not use a nozzle lock-open device.
- Never overfill fuel tank. Replace fuel tank cap and tighten securely.
- Replace all fuel container caps securely after use.
- For gasoline engines, do not use gas with methanol. Methanol is harmful to your health and to the environment.

## Tire Safety



MXAL41937—UN—18FEB13

Explosive separation of a tire and rim parts can cause serious injury or death:

- Do not attempt to mount a tire without the proper equipment and experience to perform the job.

- Always maintain the correct tire pressure. Do not inflate the tires above the recommended pressure. Never weld or heat a wheel and tire assembly. The heat can cause an increase in air pressure resulting in a tire explosion. Welding can structurally weaken or deform the wheel.
- When inflating tires, use a clip-on chuck and extension hose long enough to allow you to stand to one side and NOT in front of or over the tire assembly.
- Check tires for low pressure, cuts, bubbles, damaged rims or missing lug bolts and nuts.

## Checking Wheel Hardware

- A serious accident could occur causing serious injury if wheel hardware is not tight.
- Check wheel hardware tightness often during the first 100 hours of operation.
- Wheel hardware must be tightened to specified torque using the proper procedure anytime it is loosened.

## Handling Waste Product and Chemicals

Waste products, such as, used oil, fuel, coolant, brake fluid, and batteries, can harm the environment and people:

- Do not use beverage containers for waste fluids - someone may drink from them.
- See your local Recycling Center or authorized dealer to learn how to recycle or get rid of waste products.
- A Material Safety Data Sheet (MSDS) provides specific details on chemical products: physical and health hazards, safety procedures, and emergency response techniques. The seller of the chemical products used with your machine is responsible for providing the MSDS for that product.

## Machine Cleanout

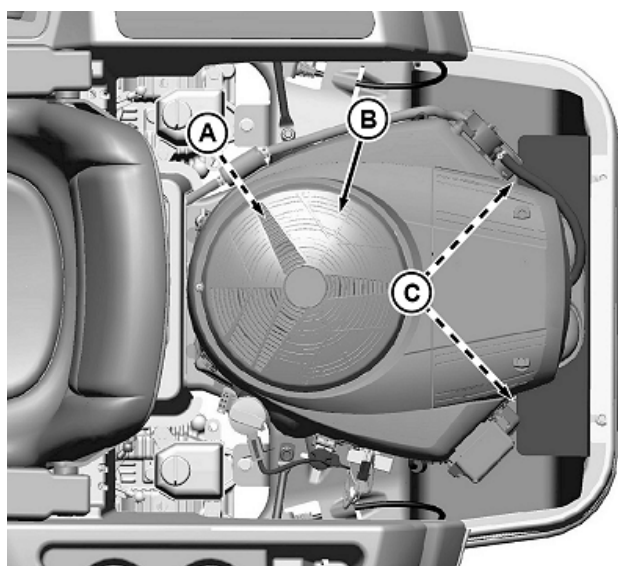
### Cleanout Areas

*NOTE: Also see machine Service Label.*

Primary areas that must be inspected and cleaned on the machine include:

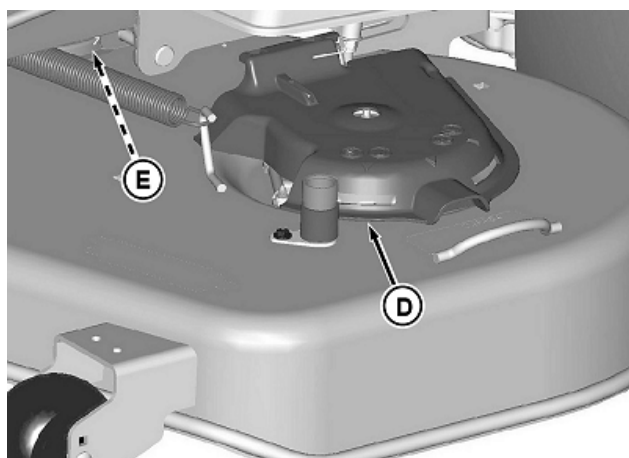
1. Exhaust manifold, muffler pipes, muffler and muffler shield.

# Assembly



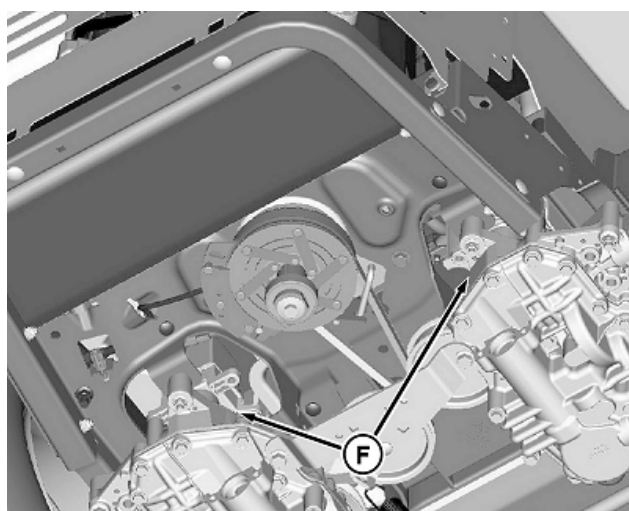
GXT002174—UN—05JUN15

2. Engine intake screens, both rotating (A) and fixed (B). Cooling fins (C), and oil cooler (if equipped).



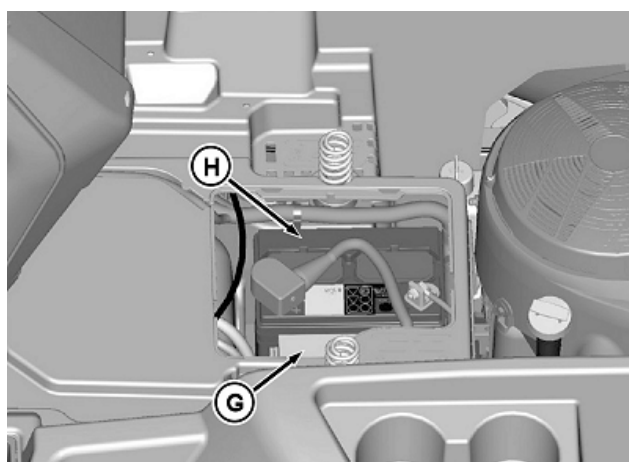
GXT002175—UN—05JUN15

3. Top of mower deck, under shields (D), including spindle and belt area (E).



GXT002176—UN—05JUN15

4. On or near transaxles (F) and belt drives and fins.



GXT002177—UN—05JUN15

5. Under the seat and near fuse block (G), including the battery (H) and wiring harness.

## Assembly

### Charge and Connect Battery

**CAUTION:** Avoid injury! The battery produces a flammable and explosive gas. The battery may explode:

- Do not smoke or have open flame near battery.
- Wear eye protection and gloves.
- Never check battery charge by placing a metal object across the posts. Use a voltmeter or hydrometer.
- Do not jump start or charge a frozen battery. Warm battery to specification.

Specification  
Battery — Temperature ..... 16°C (60°F)

1. Remove and discard the red positive (+) protective cap from the positive (+) battery terminal.
2. Charge the battery.
  - Battery is fully charged at 12.6 volts.

# Assembly

3. Connect positive (+) battery cable to battery.
4. Connect negative (-) battery cable.
5. Apply general purpose grease or silicone spray to terminal to help prevent corrosion.
6. Slide red cover over positive battery cable.

## Install Seat

### Z535M and Z540M Models

*NOTE: Z535M and Z540M models are shipped with back of seat in a horizontal position for shipping only. Do not operate machine with seat in this horizontal position.*



GXT002404—UN—15JUL15

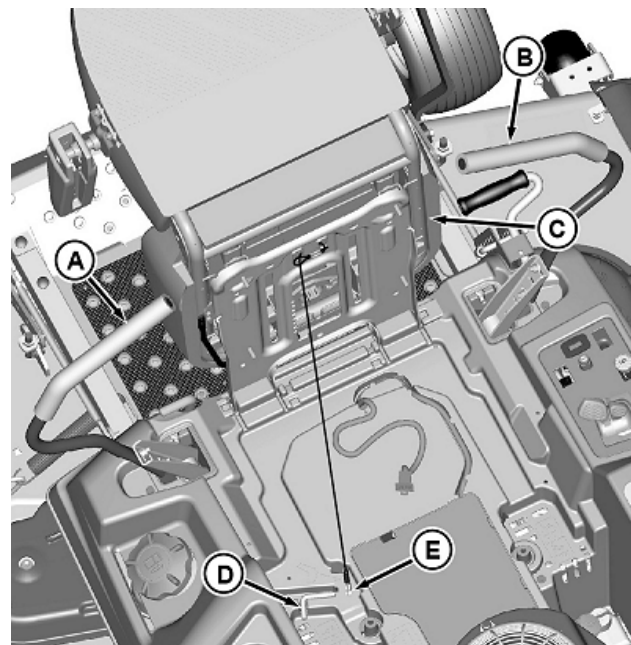
1. Remove rear bolt (A) and discard plastic washer from each side of seat bracket (B).
2. Loosen front bolt (C) on each side of seat bracket.
3. Lift seat back to operating position and insert bolts removed earlier into holes (D) on each side of seat.
4. Tighten four bolts to specification.

#### Specification

Seat Hardware — Torque..... 24 N·m (18 lb-ft)

### Z535R and Z540R Models

*NOTE: Z535R and Z540R models are shipped with the seat rotated forward and resting on the front platform for shipping only. Do not operate machine with seat in this rotated position.*



GXT002178—UN—05JUN15

1. Move the left (A) and right (B) motion levers toward the outside of the machine.
2. Rotate the seat until the seat bottom (C) is in a vertical position.
3. Lift the L-pin handle (D) up and slide it toward the outside of the machine. Insert the free end of the seat tether into the opening slot (E) of the machine cover.
4. Push the L-pin through the tether loop and push the L-pin handle down into the snap-lock groove in the cover.

## Check Tire Pressure

Check tire pressure. (See Checking Tire Pressure in the SERVICE MISCELLANEOUS section.)

## Install Hitch (Z535R and Z540R Only)

Install hitch. See HITCH KIT INSTALLATION INSTRUCTIONS included with kit.

## Install and Level Mower Deck

Install and level mower deck. See Mower, Installing Deck in the SERVICE MOWER Section and Mower, Adjusting Level in the OPERATING Section.

## Adjust Mower Deck Level

Adjust mower deck level. (See Adjusting Mower Deck Level in the OPERATING section.)

## Check Engine Oil Level

Check engine oil level. (See Checking Engine Oil Level in the SERVICE ENGINE section.)

## Check Machine Safety System

Perform safety system check to make sure the electronic safety interlock circuit is functioning properly. Perform all tests. (See Testing Safety System in the OPERATING section.)



# Operating Controls

---

## Check Transmission Oil Level

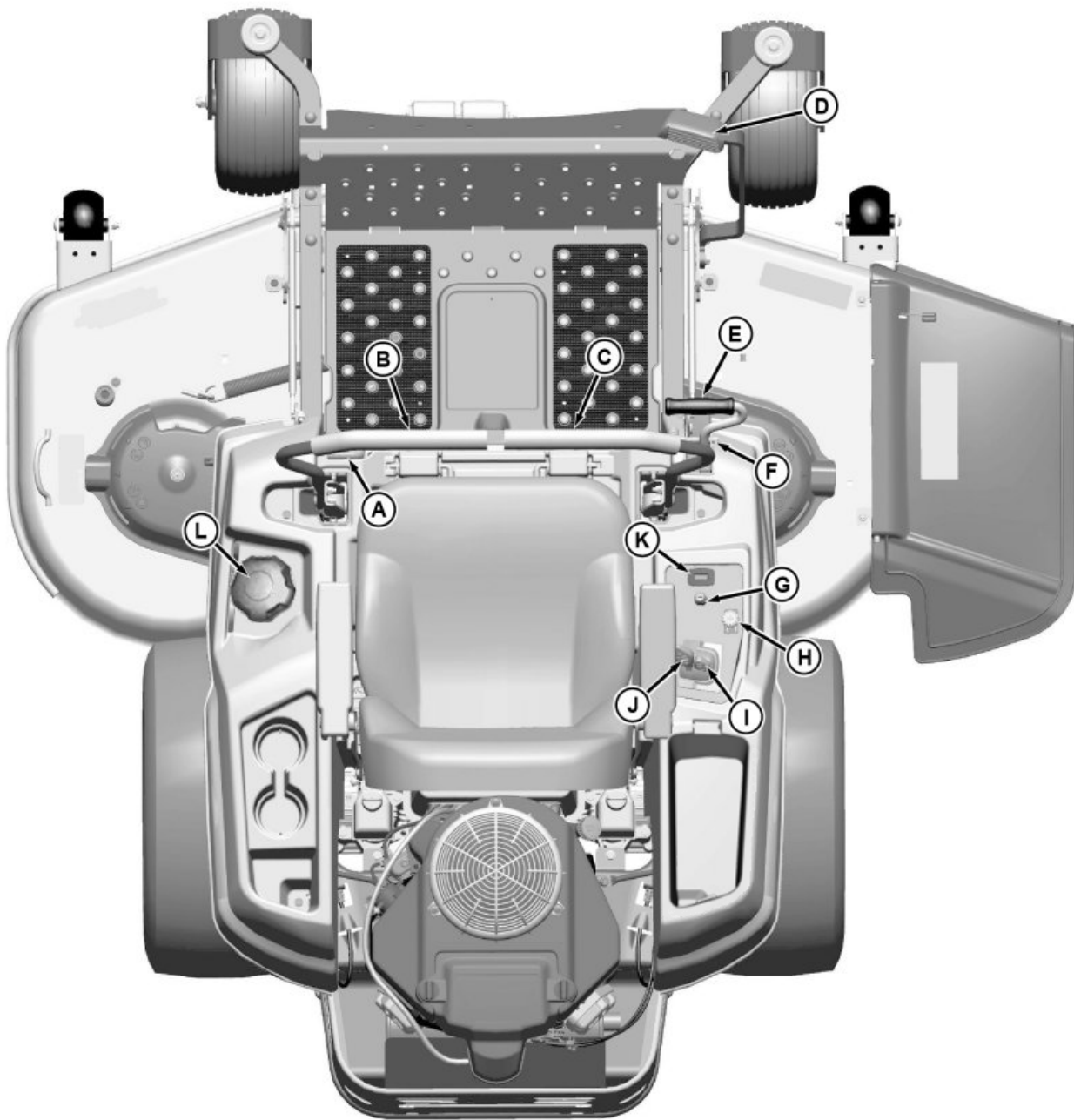
Check Transmission Oil Level (see Checking Transaxle Oil Level in the SERVICE TRANSMISSION section)

---

## Operating Controls

# Operating

## Operator Station Controls



A — Park Brake Lever  
B — Left Motion Control Lever  
C — Right Motion Control Lever  
D — Mower Deck Lift Pedal (If Equipped)  
E — Mower Deck Lift Lever  
F — Deck Height Pin

G — Ignition Key Switch  
H — Mower Engagement Switch  
I — Choke Control Lever  
J — Throttle Control Lever  
K — Hourmeter  
L — Fuel Tank Cap

GXT002420—UN—15JUL15

## Operating

### Daily Operating Checklist

- Test safety systems.
- Check fuel level. (See SERVICE MISCELLANEOUS section, Using Proper Fuel and Stabilizer)

- Check engine oil level.
- Remove grass and debris from engine compartment and muffler area, and on top of mower deck, before and after operating machine.
- Remove debris from engine fixed and rotating screens.
- Check transaxle oil level - sight on reservoir.
- Clean air intake screen.
- Check area below machine for leaks.

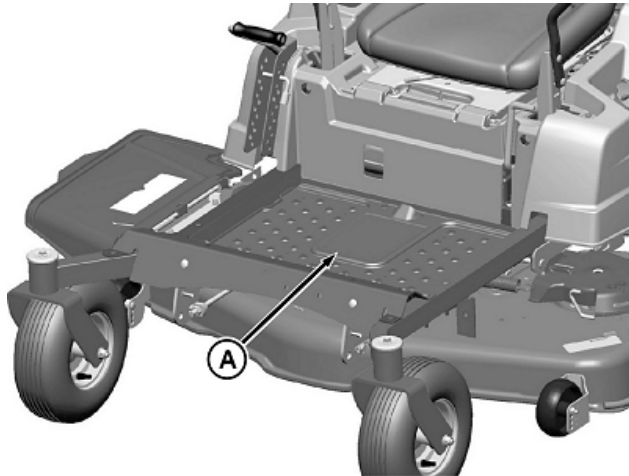
# Operating

- Clean mower deck with water using washout port after each use.

## Avoid Damage to Plastic and Painted Surfaces

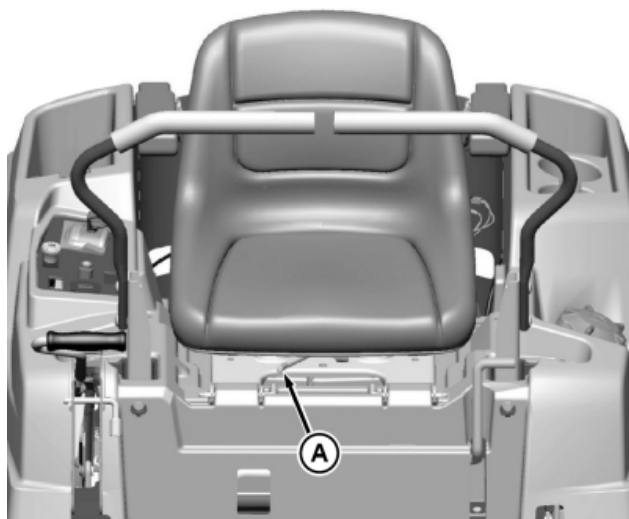
- Do not wipe plastic parts unless rinsed first. Using a dry cloth may cause scratches.
- Insect repellent spray may damage plastic and painted surfaces. Do not spray insect repellent near machine.
- Be careful not to spill fuel on machine. Fuel may damage surface. Wipe up spilled fuel immediately.
- Prolonged exposure to sunlight will damage some surfaces.

## Mounting and Dismounting Machine



- Do not step on the mower deck when mounting and dismounting the machine.
- Mount the machine from front (A).
- Park machine safely before dismounting (see Parking Safely in the SAFETY section).
- Keep the foot plate clean.

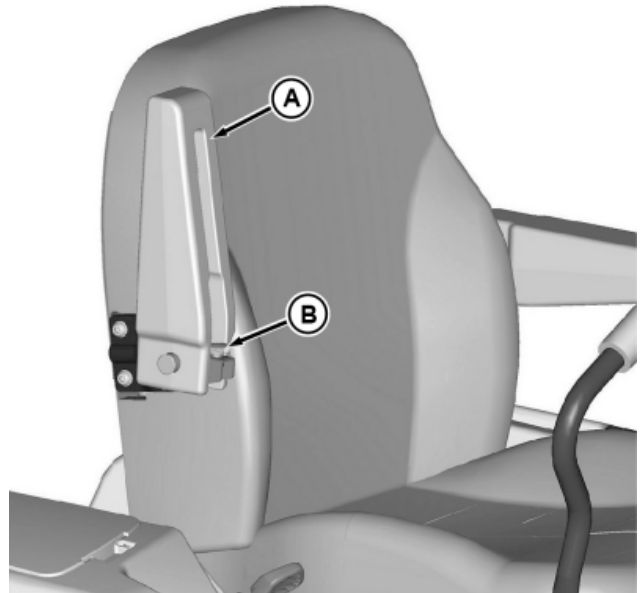
## Adjusting Seat



1. Slide lever (A) sideways to the left.

2. Slide seat forward or rearward to desired position.
3. Release lever.

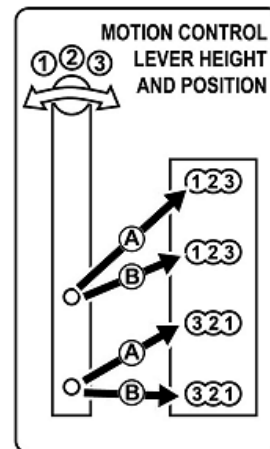
## Adjusting Armrests (If Equipped)



1. Raise each armrest (A).
2. Turn adjustment knob (B) clockwise to lower armrest and counterclockwise to raise armrest. Lower armrests.

## Adjusting Motion Control Levers

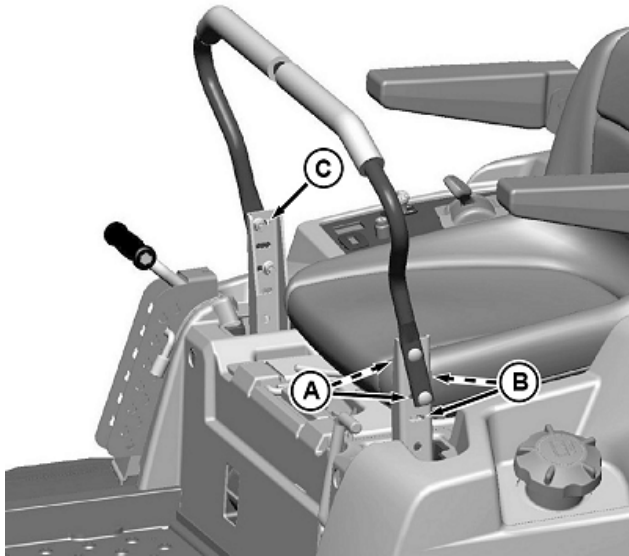
1. Park machine safely. (See Parking Safely in the SAFETY section.)



GXT002159—UN—03JUN15

2. To adjust motion control lever height, refer to the operator instruction label on the machine front panel and the instructions that follow.

# Operating



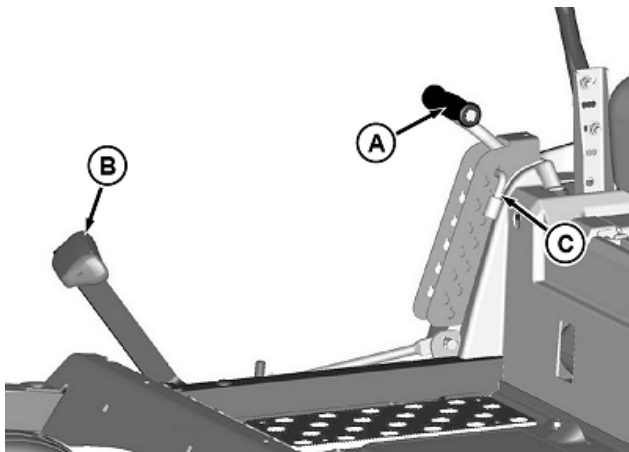
GXT002182—UN—05JUN15

- Remove two bolts and nuts and raise or lower each control lever to your comfort level.
  - For highest lever position, use holes (A).
  - For lowest lever position, use holes (B).
- You can also adjust each motion control lever slightly forward or rearward (C) within slotted holes.

## Adjusting Cutting Height

Cutting height can be adjusted from approximately 25-100 mm (1-4 in.). When mower deck is in transport position cutting height is approximately 100 mm (4 in.).

- Check tire pressure and adjust as needed.



GXT002184—UN—05JUN15

- Raise mower deck:
  - Z500 Series with 48A, 54A or 62C Mower Decks:** Pull upward on mower deck lift lever (A) and push lever outward to lock in raised position.
  - Z500 Series with 48HC, 54HC or 60 HC Mower Decks:** Push down on lift pedal (B), and pull upward on mower deck lift lever (A) until in fully raised position.
- Insert the pin (C) in the proper hole for the desired height of cut.
- Lower mower deck:

- Z500 Series with 48A, 54A or 62C Mower Decks:** Lift slightly on mower deck lift lever, pull lever slightly toward center, and lower lift lever (A) onto pin (C).
- Z500 Series with 48HC, 54HC or 60 HC Mower Decks:** Place foot on lift pedal (B) and release lift pedal rearward while lowering mower deck lift lever (A) onto pin (C).

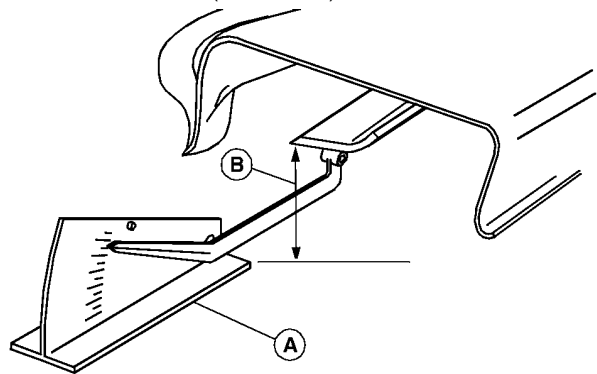
## Adjusting Mower Level

**CAUTION: Avoid injury! Rotating blades are dangerous. Before adjusting or servicing mower:**

- Disconnect spark plug wire(s) or battery negative (-) cable to prevent engine from starting accidentally.
- Always wear gloves when handling mower blades or working near blades.

**NOTE:** Mower wheels should not contact the ground when leveling the deck.

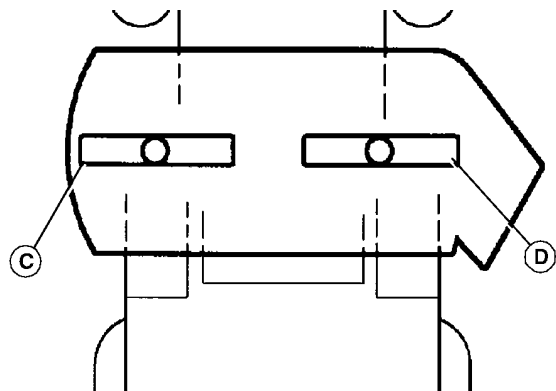
- Park machine safely. (See Parking Safely in the SAFETY section.)
- Inflate tires to the correct pressure.
- Position caster wheels to the forward driving position.
- Set mower to preferred cutting height, and lower deck into the mowing position.
- Measure mower level (side-to-side).



MXAL42797—UN—09APR13

A convenient leveling gauge (A) (AM130907) is available from your dealer.

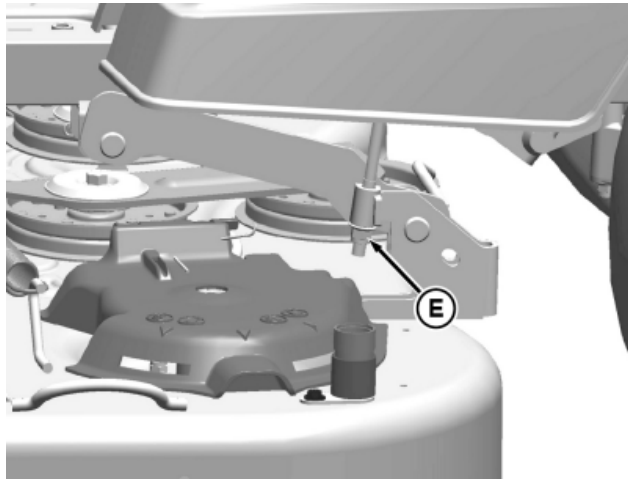
- Position mower blades as follows and measure from each outside blade tip (B) to the level surface.



MXAL42798—UN—09APR13

- Turn left blade (C) as shown. Hold belt and turn right blade (D) as shown. Take measurement for both blades. The difference between blade measurements must not be more than 3 mm (1/8 in.).

# Operating

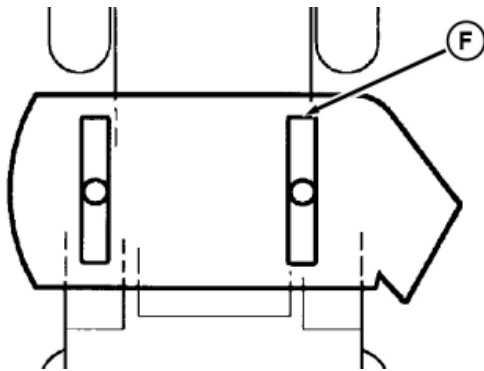


GXT002427—UN—16JUL15

- c. Adjust mower level, if necessary, by turning rear nuts (E) clockwise to raise the side of the mower deck, or counterclockwise to lower the mower deck.

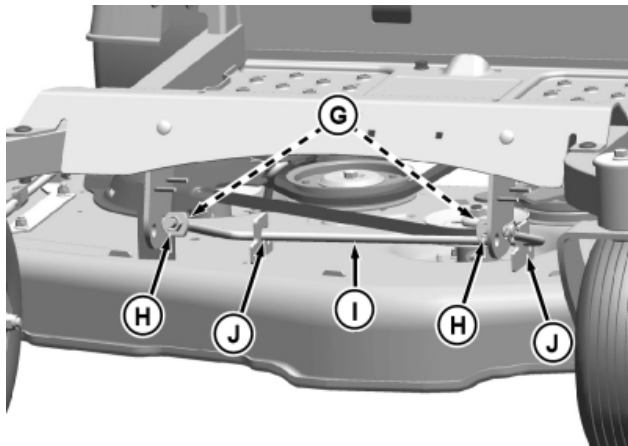
**NOTE:** Ensure that bottom of lock nut is engaged on threaded fitting to avoid hardware from loosening during operation.

6. Measure mower level (front-to-rear).



GXT002188—UN—08JUN15

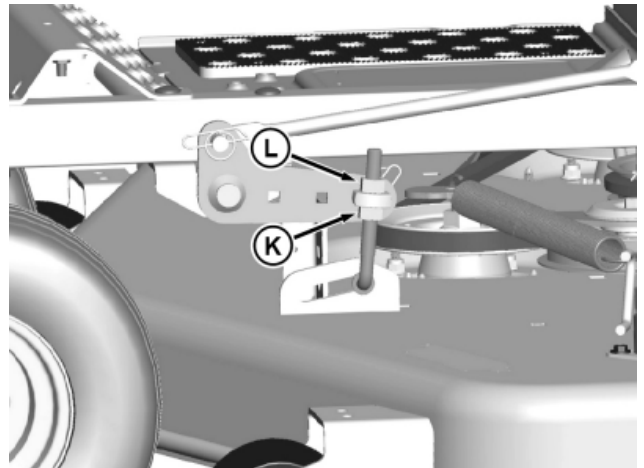
- a. Turn right blade (F) so blade tip points straight forward.  
 b. Measure from blade tip to the surface. Take measurement for both blades. The front blade tip must be 3 - 6 mm (1/8 - 1/4 in.) lower than rear blade tip.



GXT002517—UN—17JUL15

48 in. deck shown.

- c. 48A and 54A mower decks: Adjust front to rear mower level, if necessary, by loosening rear nuts (G) on front lift rod. Turn front nuts (H) clockwise to raise front of mower or counterclockwise to lower it. Make sure front lift rod (I) contacts mower deck bracket on both sides (J) to maximize stability of deck. Tighten rear nut after adjustment is complete.



GXT002518—UN—17JUL15

- d. 48HC, 54HC, 60HC and 62 in. mower decks: Adjust mower level, if necessary, by loosening lower nut (K) on both sides of deck. Turn top nut (L) on each side of deck clockwise to raise front of mower or counterclockwise to lower front of mower. Tighten lower nuts after adjustment is complete.

**NOTE:** Verify that deck latches in transport position. If it does not latch, turn both rear adjusting nuts counterclockwise equally to lower rear of deck until deck latch engages. Check front lift rod adjustment, adjust if necessary.

## Adjusting Mower Wheels

**CAUTION:** Avoid injury! Rotating blades are dangerous. Before adjusting or servicing mower:

- Disconnect spark plug wire(s) or battery negative (-) cable to prevent engine from starting accidentally.
- Always wear gloves when handling mower blades or working near blades.

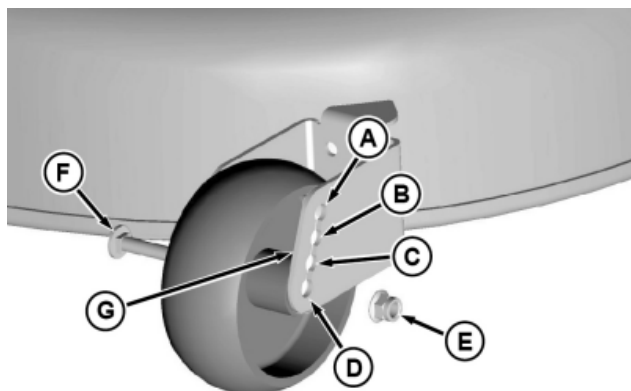
**IMPORTANT:** Avoid damage! The mower deck can be damaged if mower wheels are adjusted wrong:

- Wheels must not ride on ground supporting mower weight.
- Check wheel adjustment each time cutting height is changed.

1. Park machine safely on a level surface. (See Parking Safely in the SAFETY section).
2. Inflate tires to correct pressure.
3. Raise mower deck lift lever, and lock in transport position.
4. Adjust mower wheels to correct height:

# Operating

## 48A, 48HC, 54A, 54HC and 60HC Mower Decks



GXT001459—UN—02JUN15

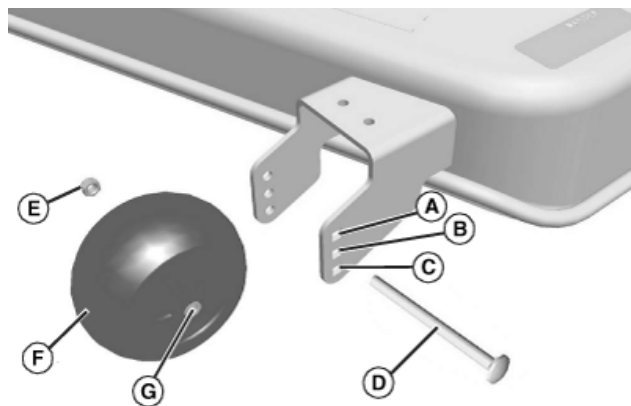
|                |  |
|----------------|--|
| Position 1 (A) | 25 - 38 mm (1 - 1-1/2 in.) Height of Cut |
| Position 2 (B) | 38 - 50 mm (1-1/2 - 2 in.) Height of Cut |
| Position 3 (C) | 50 - 76 mm (2 - 3 in.) Height of Cut     |
| Position 4 (D) | 76 - 101 mm (3 - 4 in.) Height of Cut    |

- Remove nut (E) using height-of-cut tool or 13 mm wrench. Pull carriage bolt (F) out until end of bolt clears the outer wall of the gauge wheel bracket (G), then slide bolt and wheel assembly to the desired position. Push bolt back through outer wall of bracket. Install nut (E) and tighten to specification.

### Specification

Mower Wheel Nut — Torque ..... 24 N·m (18 lb.-ft.)

## 62C Mower Deck



MXAL47055—UN—16APR13

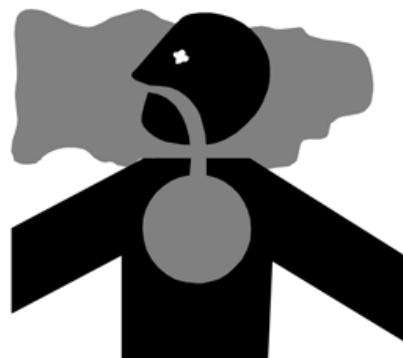
|                |                                      |
|----------------|--------------------------------------|
| Position 1 (A) | 25—44 mm (1—1-3/4 in.) Height of Cut |
| Position 2 (B) | 50—69 mm (2—2-3/4 in.) Height of Cut |
| Position 3 (C) | 76—101 mm (3—4 in.) Height of Cut    |

- Remove carriage bolt (D) and nut (E). Move wheel (F) and axle (G) to proper hole position. Secure with carriage bolt and nut. Tighten nut to specification.

### Specification

Mower Wheel Nut — Torque ..... 24 N·m (18 lb.-ft.)

## Testing Safety Systems



MXAL42804—UN—09APR13

**CAUTION: Avoid injury! Engine exhaust fumes contain carbon monoxide and can cause serious illness or death.**

**Do not run an engine in an enclosed area, such as a garage, even with doors or windows opened.**

**Move the machine to an outside area before running the engine.**

The safety systems installed on your machine should be checked before each machine use. Be sure you have read the machine operator manual and are completely familiar with the operation of the machine before performing these safety system checks.

Use the following checkout procedures to check for normal operation of machine.

If there is a malfunction during one of these procedures, do not operate machine. **See your authorized dealer for service.**

Perform these tests in a clear open area. Keep bystanders away.

### Testing Park Brake Switch

- Park machine safely. (See Parking Safely in the SAFETY section.)
- Sit on seat.
- Unlock the park brake.
- Try to start engine.

**Result:** Engine must not crank. If engine cranks, there is a problem with your safety interlock circuit.

### Testing Park Brake

- Park machine safely. (See Parking Safely in the SAFETY section.)
- Lock the park brake.
- Engage bypass valve control.
- Try to push machine manually.

**Result:** Park brake must prevent machine from moving. If machine moves, see your authorized dealer for service.

**NOTE:** When testing is complete, disengage bypass valve control prior to returning machine to service.

### Testing Mower Engagement (PTO) Switch

- Park machine safely. (See Parking Safely in the SAFETY section.)
- Sit on seat.
- Lock the park brake.
- Engage the mower.

# Operating

5. Try to start engine.

**Result:** Engine must not crank. If engine cranks, there is a problem with your safety interlock circuit.

## Testing Seat Switch

1. Park machine safely. (See Parking Safely in the SAFETY Section.)
2. First test:
  - a. Lock park brake.
  - b. Start engine.
  - c. Move throttle lever up to maximum engine speed.
  - d. Engage mower.
  - e. Raise up off seat. Do not get off machine.

**Result:** Engine and mower blades should stop. If engine and mower blades do not stop, there is a problem with your safety interlock circuit.

3. Second test:
  - a. Disengage mower.
  - b. Start engine.
  - c. Unlock park brake.
  - d. Raise up off seat. Do not get off machine.

**Result:** Engine should stop. If engine does not stop, there is a problem with your safety interlock circuit.

4. Third test:
  - a. Lock park brake.
  - b. Disengage mower.
  - c. Start engine.
  - d. Raise up off seat. Do not get off machine.

**Result:** Engine should continue to run. If engine stops, there is a problem with your safety interlock circuit.

## Testing Motion Control Lever Switch

1. Park machine safely. (See Parking Safely in the SAFETY Section.)
2. Sit on seat.
3. First test:
  - a. With the park brake locked, start engine.
  - b. Move right motion control lever inward.

**Result:** Engine should stop. If engine does not stop, there is a problem with your safety interlock circuit.

4. Second test:
  - a. Start engine.
  - b. Release park brake.
  - c. Move right motion control lever inward.

**Result:** Engine should continue to run. If engine stops, there is a problem with your safety interlock circuit.

5. Repeat first and second test using left motion control lever.

## Using Park Brake

**CAUTION: Avoid injury! Children or bystanders may attempt to move or operate an unattended machine.**

**Always lock the park brake and remove the key before leaving the machine unattended.**

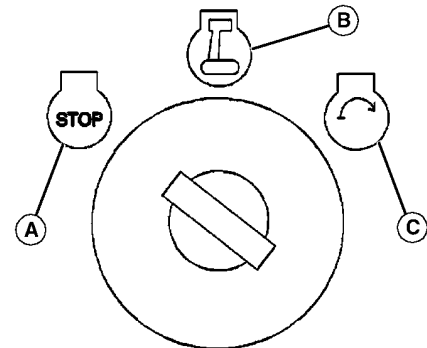
### Setting Park Brake

1. Raise park brake lever to lock park brake.

### Releasing Park Brake

1. Lower park brake lever to unlock park brake.

## Using Key Switch



MXAL42805—UN—09APR13

A - STOP (off) position - With key in the STOP position, all switched power is off, and engine should not run.

B - Run (on) position - Turn key from STOP to this position, and all switched power circuits will be on.

C - Start position - Turn key to start position to crank the engine. Release key after engine has started and it will automatically return to the on position. The engine will continue to run.

## Using Mower Engagement Switch

- To Engage Mower - Pull mower engagement knob up.
- To Disengage Mower - Push mower engagement knob down.

## Using the Hour Meter

- The hour meter shows the number of hours the engine has run. The hour meter does not accumulate hours with the engine off when the key is in the run position. Use the hour meter to determine when your machine has reached the recommended service intervals.
- Turn the key to STOP position when not using the machine.
- Hour meter cannot be reset.

## Using the Motion Control Levers

**CAUTION: Avoid injury! Learn use of the motion control levers and practice at half throttle until becoming proficient and comfortable with the operation of the machine.**

**Do not move motion control levers from forward to reverse or reverse to forward position rapidly. Sudden direction changes could cause loss of control or damage the machine.**

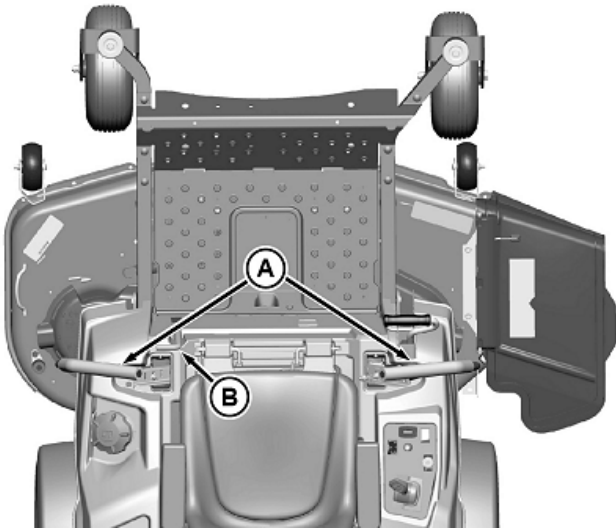
Before using the machine, become familiar with the motion control levers and how they respond. It is essential to know how the machine accelerates, steers and stops.

The functions of the motion control levers are:

- Dual function neutral position.
- Steering.
- Acceleration.
- Braking.

# Operating

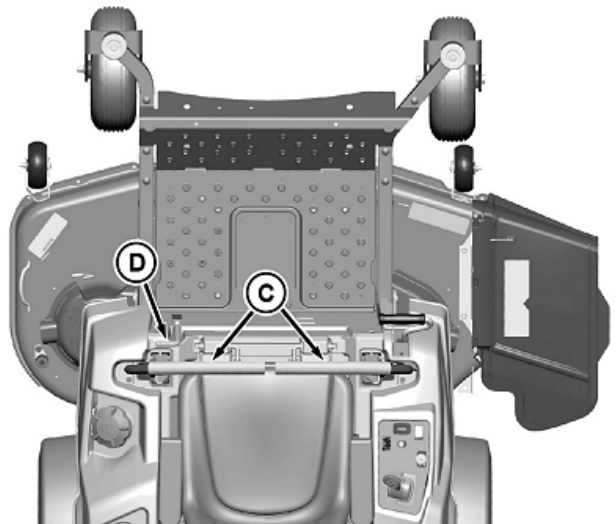
## Start/shutdown Position



GXT002196—UN—08JUN15

- Motion control levers must be in the start/shutdown position (A) and the park brake locked (B) to start the engine.
- Forward and reverse movement of the motion control levers is prevented when levers are moved to the start/shutdown position.
- Operator can exit mower with the engine running when the mower engagement switch is disengaged, the motion control levers are in the start/shutdown position and the park brake is locked.
- Motion control levers must be in the start/shutdown position to safely enter and exit the operator seat.

## Neutral Position



GXT002189—UN—08JUN15

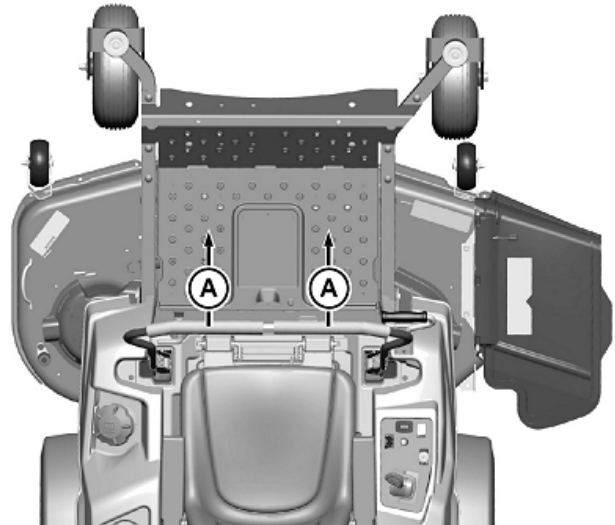
- Machine speed, motion, and direction can be controlled when the engine is running, motion control levers are in the neutral position (C), and the park brake is unlocked (D).
- To stop the machine for an emergency, move the motion control levers quickly back to the neutral position.

## Forward and Reverse Travel

Straight forward and reverse travel takes practice. If the machine does not track in a straight line when going forward or reverse, the motion control lever tracking may need adjusting.

1. Move throttle lever to the mow position.
2. Unlock park brake.
3. Move both motion control levers from the start/shutdown position inward to the neutral position.
4. Move the motion control levers forward to begin forward travel.
5. Move the motion control levers rearward to begin reverse travel.
6. To stop travel, move motion control levers back to the neutral position.

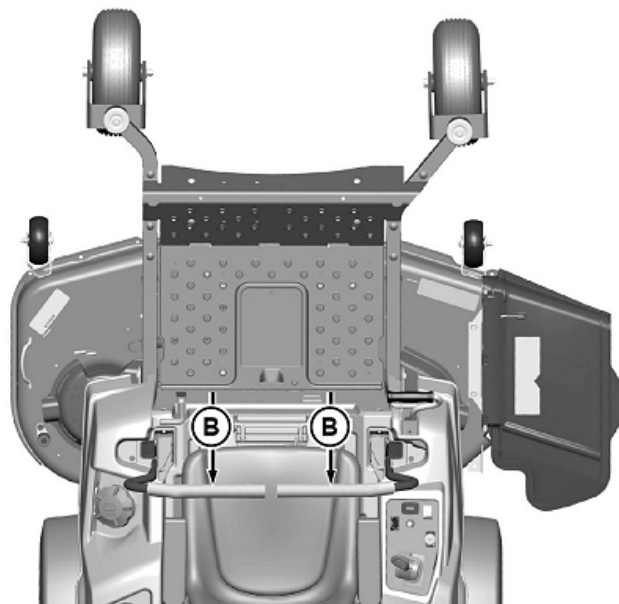
## Forward Travel



GXT002190—UN—08JUN15

1. Gradually move both motion control levers evenly forward (A) from neutral. To speed up, move the levers farther forward. To slow down smoothly, slowly move the levers toward neutral.

## Reverse Travel



GXT002191—UN—08JUN15

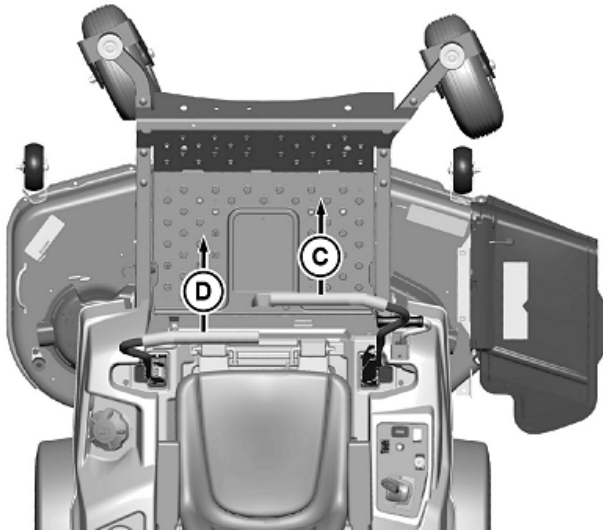
1. Look down and behind, then gradually move both motion control levers evenly rearward (B) from neutral. To speed up, move the



# Operating

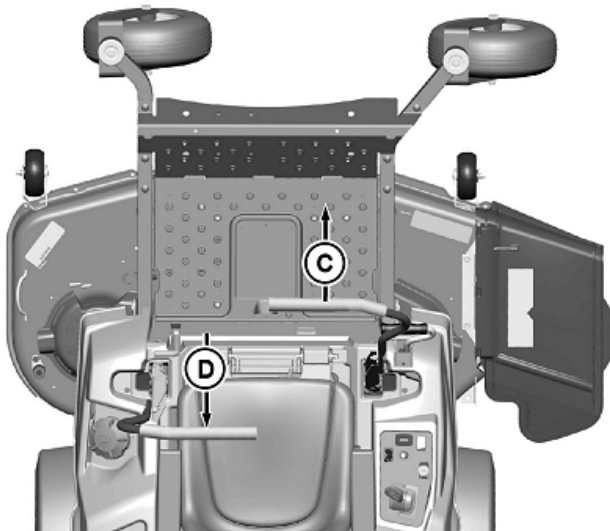
levers farther rearward. To slow down smoothly, slowly move the levers toward neutral.

## Left Turn



GXT002192—UN—08JUN15

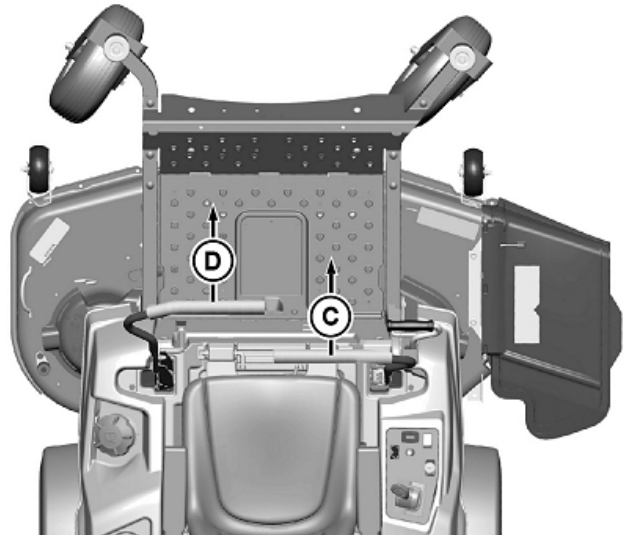
1. To turn slightly to the left, push right control lever (C) further forward than the left control lever (D).



GXT002193—UN—08JUN15

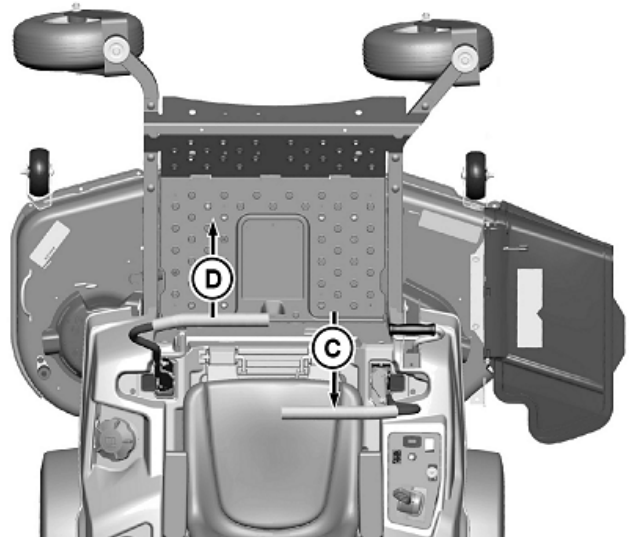
2. To turn sharply to the left, push right control lever (C) forward and pull left control lever (D) rearward at the same time.

## Right Turn



GXT002194—UN—08JUN15

1. To turn slightly to the right, push left control lever (D) further forward than the right control lever (C).



GXT002195—UN—08JUN15

2. To turn sharply to the right, push left control lever (D) forward and pull right control lever (C) rearward at the same time.

## Starting the Engine

**⚠ CAUTION: Engine exhaust fumes contain carbon monoxide and can cause serious illness or death.**

**Do not run an engine in an enclosed area, such as a garage, even with doors or windows opened.**

**Move the machine to an outside area before running the engine.**

1. Sit on the operator seat.
2. Lock park brake.
3. Push the mower engagement knob down to disengage the mower.

# Operating

- Set both motion control levers to the start/shutdown position.
- Move throttle lever to set engine speed:
  - Cold start:** Set throttle lever to the start position. Use the choke control as necessary (if equipped).
  - Warm start:** Set throttle lever to the mow position.

**IMPORTANT: Starter may be damaged if starter is operated for more than 20 seconds at a time:**

- Wait two minutes before trying again if engine does not start.
- Turn key switch to the start position.
  - After engine starts, release key switch to the run position, disengage the choke control (if equipped) and move throttle to mow position.

**IMPORTANT: Unnecessary engine idling may cause engine damage. Excessive idling can cause engine overheating, carbon build-up, and poor performance.**

- Allow the engine to warm up for 20 seconds.
- Release park brake.
- Set both motion control levers to the neutral position.

## Engaging Mower

**CAUTION:** Clear mowing area of all bystanders when operating this machine. Thrown objects could cause serious injury or death.

Keep hands and feet away from blades and discharge opening.

Do not mow in reverse unless absolutely necessary.

- Adjust mower to desired cutting height.
- Start engine.
- Release park brake.
- Move both motion control levers to the neutral position.
- Set throttle lever to the RUN position.

*NOTE: For smoother engagement, deck can be engaged at transport position and then lowered to desired cut height.*

- Pull mower engagement switch up to engage mower.

*NOTE: The travel speed and turn rate will vary with the amount that the control levers are moved.*

- Push motion control levers forward slowly. Mow at a safe travel speed.

## Stopping the Engine

- Stop machine on a level surface, not on a slope.
- Push the mower engagement switch down to disengage mower.
- Move the motion control levers to the start/shutdown position.
- Lock park brake.
- Move throttle lever to the shutdown position.
- Allow the engine to cool down for 20 seconds.
- Turn ignition key to STOP (off) position.

**CAUTION:** Children or bystanders may attempt to move or operate an unattended machine.

Always lock the park brake and remove the key before leaving the machine unattended.

- Remove key.

## Moving Machine by Hand

**CAUTION:** Avoid injury! When the bypass valve is open, the machine will have unrestricted motion.

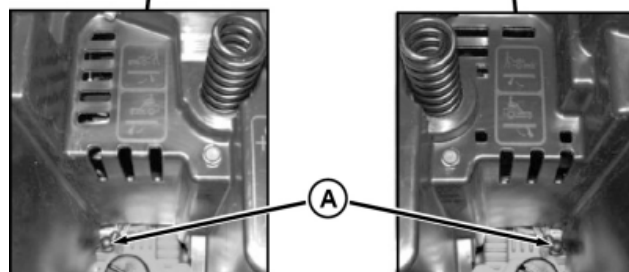
- Do not open the bypass valve when the machine is stopped on an incline to prevent it from going downhill out of control.

**IMPORTANT:** Transmission damage may occur if the machine is towed or moved incorrectly:

- Move machine by hand only.
- Do not use another vehicle to move machine.
- Do not tow machine.

When the machine needs to be moved without starting the engine, use the bypass valves:

*NOTE: Do not operate bypass control levers while machine is running. Do not operate the machine with controls in bypass position.*



GXT002403—UN—30JUL15

- Rotate levers (A) inward until lever hits a stop.
- Release park brake.
- Push machine to desired location and lock park brake.
- Rotate bypass levers (A) outward to the disengaged position.

## Unplugging Mower, Bagger, or Material Collection System

**CAUTION:** Avoid injury! Do not attempt to unplug attachment with machine running.

- Rotating blades are dangerous. Shut off the engine and remove the key before getting off the seat to inspect the machine and attachment.
- Thrown objects can cause serious injury. Make sure all machine parts are stopped before raising hopper top or removing chutes.

### Checking For Plugging While Driving

If grass builds up in front of mower discharge chute, check for plugged chute or problems with blower assembly (if equipped).

# Operating

If there is a trail of clippings behind mower or clippings blow to the side, check for plugged chute, full collector bags, or problems with blower assembly.

## Removing Debris From Inspection Points:

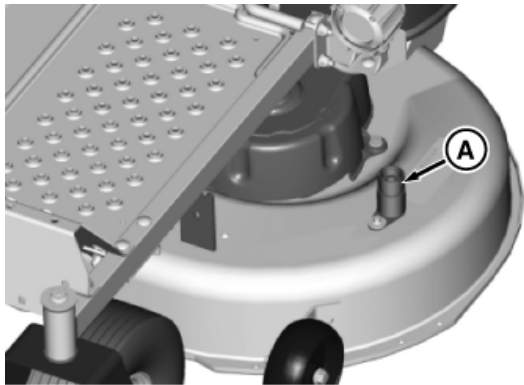
**CAUTION: Avoid injury! Do not use hands or feet to clear plugged mower deck or blower assembly. Stored energy can cause blades to rotate.**

1. Park machine safely. Wait for all moving parts to stop before getting off to inspect machine.
2. Open hopper cover. Check chute outlet.
3. Remove chute from mower deck or blower assembly. Check chute inlet.
4. Check under mower deck for debris.

## Using Wash Port to Clean Mower Deck

*NOTE: Follow this procedure after each use to prevent buildup and remove corrosive lawn chemicals.*

1. Park machine safely. (See Parking Safely in the Safety section).



MXT005333—UN—22MAY13

2. Attach quick-coupler to garden hose.
3. Attach garden hose with quick-coupler to wash port (A) on the mower deck.
4. Turn on water.
5. Start engine.
6. Run at full throttle.
7. Engage mower blades.
8. Flush water under deck for approximately one minute.
9. Disengage mower blades.
10. Stop engine.
11. Turn off water and remove garden hose and quick-coupler from wash port.
12. Remove quick-coupler from garden hose and store for future use.

## Transporting Machine on Trailer

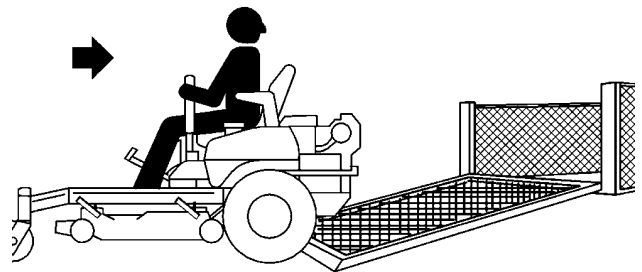
*NOTE: Trailer capacity must exceed combined machine weight and attachment weight. (See Specifications section in operator's manual).*

Be sure that trailer has all the necessary lights and signs required by law.

**CAUTION: Avoid injury! Use extra care when loading or unloading the machine onto a trailer or truck. Machine wheels can go off the ramp or trailer, causing the machine to tip over.**

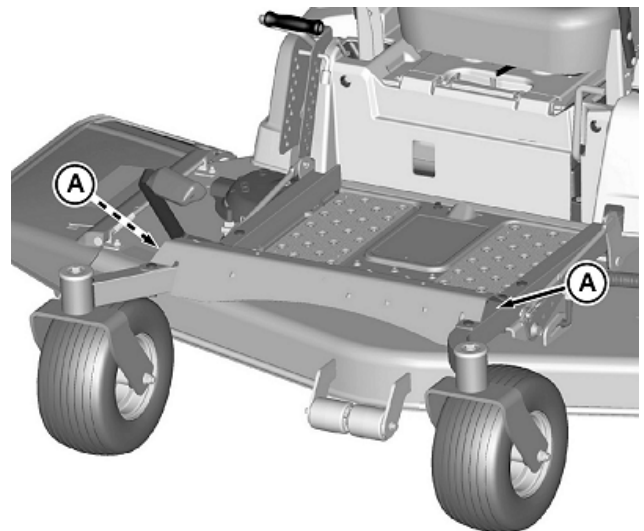
- To load, back slowly and in a straight line. Keep wheels away from drop-offs and edges.
- Do not use two separate loading ramps. Use a full width loading ramp at least 30 cm (12 in.) wider than machine to keep caster wheels from going off the ramp edge.
- Use a trailer with sides.

1. Park trailer on level surface.
2. Raise mower deck before driving machine onto trailer.



MXAL42817—UN—09APR13

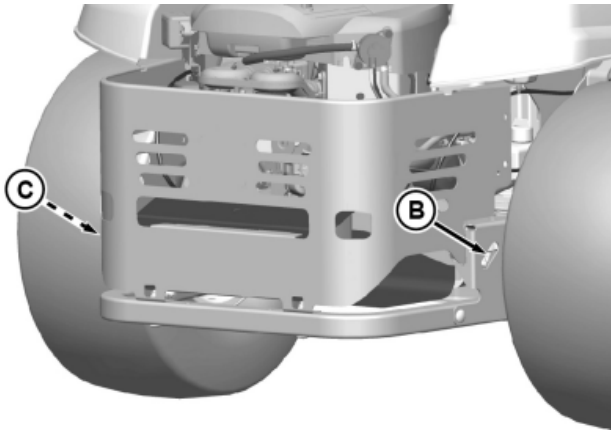
3. Back machine onto heavy-duty trailer with full-width ramp.
4. Lower mower deck completely.
5. Lock park brake.



GXT002198—UN—08JUN15

6. Fasten front of machine at both sides of the frame at points (A) to trailer with heavy-duty straps, chains, or cables. Straps must be directed forward, down and outward from machine.
7. Turn off machine and remove key.

# Service Intervals



GXT002405—UN—16JUL15

8. Fasten rear of machine at slots on each side of frame (B - right, C - left) to trailer with heavy-duty straps, chains, or cables. Straps must be directed rearward, down and outward from machine.

## Transporting Material Collection System (If Equipped)

If the material collection system is left on the machine during transport, follow these guidelines when trailering the unit:

- Empty the cloth bags and remove them from the hopper. Full bags add extra weight which can overstress the hopper frame on rough roads. At road travel speeds, wind can cause premature wear of the cloth bags.
- Make sure the hopper cover is latched securely to the hopper frame.
- If the unit is transported over long distances or at high speeds, remove the rear bagger or power flow chute before transport.

## Mowing Tips

- Mow grass with throttle lever in the full fast / mow position.
- Mow grass when it is dry.
- Keep mower deck and discharge chute clean.
- Mow with sharp blades.
- Properly level mower deck for a smooth cut.
- Mow grass frequently.
- Use a travel speed that fits the conditions:
  - Mow tall or wet grass twice. Cut grass at half desired height – then cut at desired height.
  - Travel slow when mowing tall or thick grass.
  - Avoid damaging grass by slipping or skidding machine drive wheels. Practice smooth control lever movements.
  - When performing sharp turns, do not allow inside machine drive wheel to stop and twist on grass.

## Blade Choices

Several types of blades are available for ZTrak Z500 series mowers:

- Side discharge blades. These blades are designed for optimal performance when side discharging and are installed on Z500 series mowers when shipped from the factory.
- Mulching blades. These blades are designed for optimal performance when used with a mulch cover or mulch plug installed.

## Service Intervals

### Servicing Your Machine

**IMPORTANT: Avoid damage! Operating in extreme conditions may require more frequent service intervals:**

- Engine components may become dirty or plugged when operating in extreme heat, dust or other severe conditions.
- Engine oil can degrade if machine is operated constantly at slow or low engine speeds or for frequent short periods of time.

**IMPORTANT: Avoid damage! High-pressure washing can cause damage to machine components. It is recommended that your vehicle be washed by hand or with a garden hose using mild soap.**

**Avoid spraying water with any great force near or into the following places:**

- Air intake
- Electrical connections (including battery compartment)
- Wheel bearings
- Radiator (if equipped)
- Warning labels
- Other labels
- Ignition switch
- Instrument panel (gauges and switches)
- Breather/tube vents
- Mower spindles
- Mower idler bearings
- Transmission cooling fans

Please use the following timetables to perform routine maintenance on your machine.

Park the vehicle safely. (See Park Safely in the SAFETY Section.)

## Service Intervals

### Break-In after 8 Hours

- Change engine oil.
- Change engine oil filter.
- Check mower deck level.

### Every 50 Hours or Annually (Whichever Comes First)

- Change engine oil.
- Change engine oil filter.
- Clean air intake screens.
- Lubricate mower deck spindles.
- Lubricate mower deck idler arm (HC decks and 62C)
- Check mower deck level.

### Every 100 Hours or Annually (Whichever Comes First)

- Replace spark plugs.
- Replace air filter element(s).
- Replace fuel filter.
- Check mower belt.
- Sharpen / replace mower blades.
- Clean underside of deck.
- Check tire pressure.
- Clean engine cooling fins.

# Service Lubrication

## Every 200 Hours

- Check / adjust engine valve clearance. See your John Deere dealer for this service.

## Service Lubrication

### Grease

**IMPORTANT: Avoid Damage! Use recommended John Deere greases to avoid component failure and premature wear.**

The following grease is recommended for service:

- John Deere Multi-Purpose HD Lithium Complex Grease
- Grease-Gard™ Premium Plus

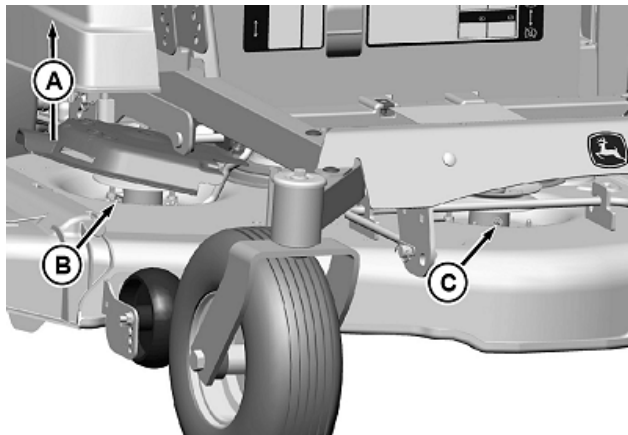
Not all grease types are compatible; John Deere does not recommend mixing greases. If using any product other than the recommended grease in service, purge any remaining grease from the system prior to application. If this is not practical, grease twice as often until all old grease is purged from the system.

### Lubricating Mower Deck Spindles

*NOTE: Removal of belt shields is not necessary to lubricate the spindles.*

1. Remove mower deck foot plate.
2. Lubricate each mower deck spindle with two pumps of grease at specified intervals as indicated:

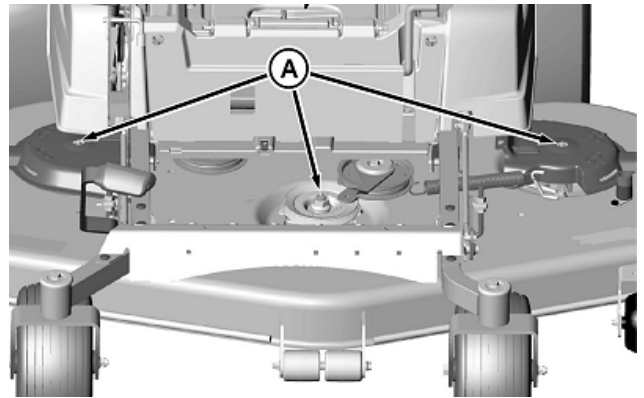
#### 48A and 54A Mower Decks



GXT002200—UN—08JUN15

- Raise spindle cover (A) and lubricate spindle grease fitting (B).
- Raise opposite spindle cover and lubricate spindle grease fitting.
- Lubricate center spindle grease fitting (C).

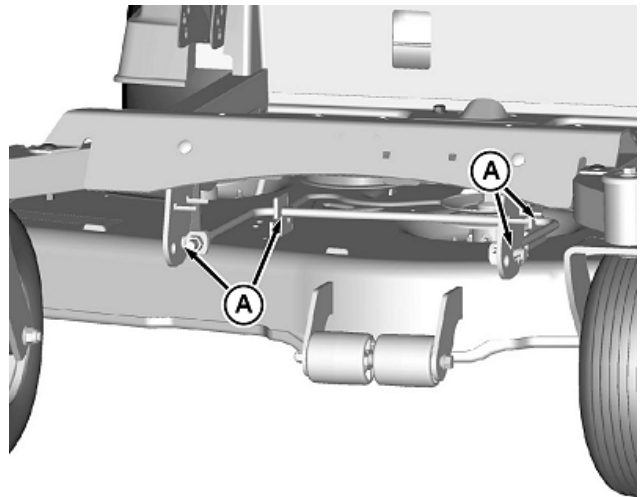
#### 48HC, 54HC, 60HC and 62C Mower Deck



GXT002201—UN—08JUN15

- Lubricate three spindle grease fittings (A).  
*NOTE: For 48HC, it may be necessary to raise deck to transport height to rotate idler arm for grease access to center spindle.*

### Lubricating Front Lift Arm



GXT002202—UN—08JUN15

48A deck shown.

Lubricate the front lift arm at the points (A) where it pivots in the mower deck bracket as needed to prevent or minimize squeaking during operation.

## Service Engine

### Emissions Service Information

A qualified repair shop or person of the owner's choosing may maintain, replace, or repair emission control devices and systems with original or equivalent replacement parts. However, warranty, recall and all other services paid for by John Deere must be performed at an authorized John Deere service center.

Within the warranty period, John Deere will reimburse reasonable service costs incurred at service providers outside the John Deere authorized network only in an unsafe, emergency condition if an authorized John Deere dealer is not available and the failure does not arise from the owner's misuse or failure to perform required maintenance. An emergency situation exists under this section if, after 30 days, the authorized John Deere network is unable to perform the repairs or source replacement parts.

# Service Engine

## Emission Control System Certification Label

**NOTE:** Tampering with emission controls and components by unauthorized personnel may result in severe fines or penalties. Emission controls and components can only be adjusted by EPA and/or CARB authorized service centers. Contact your John Deere Retailer concerning emission controls and component questions.

The presence of an emissions label signifies that the engine has been certified with the United States Environmental Protection Agency (EPA) and/or California Air Resources Board (CARB).

The emissions warranty applies only to those engines marketed by John Deere that have been certified by the EPA and/or CARB; and used in the United States and Canada in off-road mobile equipment.

## Altitude Adjustment (Gasoline Engines Only)

If your engine features a carburetor it is calibrated by the engine manufacturer and is not adjustable.

If your engine is operated at altitudes below 1006 m (3,300 ft.), a high altitude carburetor jet kit is not required. If your engine is operated at altitudes above 1006 m (3,300 ft.), a high altitude carburetor jet kit may be required for proper engine performance and emissions control. Operating the engine with the wrong carburetor configuration at a given altitude may increase the engine's emissions and decrease fuel efficiency and performance.

See a qualified service provider for details on jet kit requirements for your specific product.

## Avoid Fumes

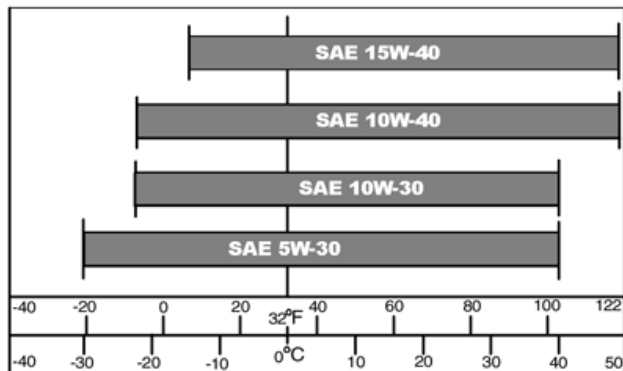
**CAUTION:** Avoid injury! Engine exhaust fumes contain carbon monoxide and can cause serious illness or death.

Do not run an engine in an enclosed area, such as a garage, even with doors or windows opened.

Move the machine to an outside area before running the engine.

## Engine Oil

Use oil viscosity based on the expected air temperature range during the period between oil changes.



MXAL42826—UN—09APR13

The following John Deere oils are preferred:

- John DeereTurf-Gard™
- John DeerePlus-4™
- John DeerePlus-50™ II

*™Turf-Gard is a trademark of Deere & Company*

*™Plus-4 is a trademark of Deere & Company*

*™Plus-50 is a trademark of Deere & Company*

Other oils may be used if above John Deere oils are not available, provided they meet the following specification:

- API Service Classification SJ or higher

## Checking Engine Oil Level

**IMPORTANT:** Failure to check the oil level regularly could lead to serious engine problems if oil level is out of the operating range:

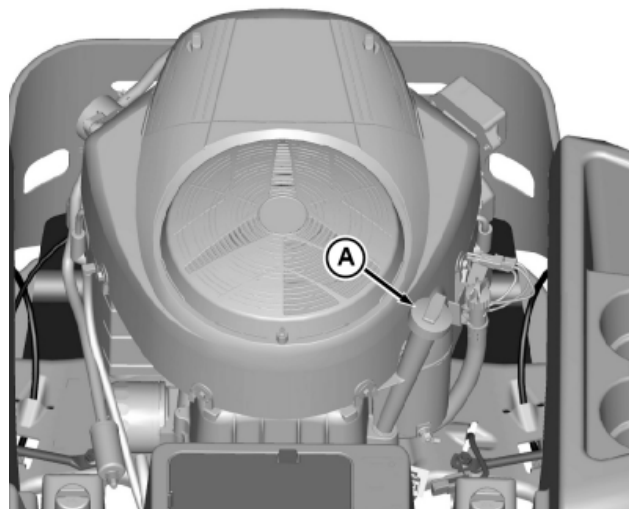
- Check oil level before operating.
- Check oil level when the engine is cold and not running.
- Keep oil level between the dipstick marks.
- Shut off engine before adding oil.

**NOTE:** Check oil twice a day if you run engine over 4 hours in a day. Make sure that engine is cold when checking engine oil level.

1. Park machine safely. (See Parking Safely in the SAFETY section.)

**IMPORTANT:** Dirt and contamination can enter engine when checking oil level. Clean area around dipstick before loosening or removing.

2. Clean area around dipstick to prevent debris from falling into crankcase.



Model Z525E

GXT002409—UN—15JUL15

# Service Engine

## Changing Engine Oil and Filter

**IMPORTANT:** Operating in extreme conditions may require more frequent service intervals:

- Engine components may become dirty or plugged when operating in extreme heat, dust, or other severe conditions.
- Engine oil can degrade if machine is operated constantly at slow or low engine speeds or for frequent short periods of time.

1. Run engine to warm oil.
2. Park machine safely on level surface. (See Parking Safely in the SAFETY section.)

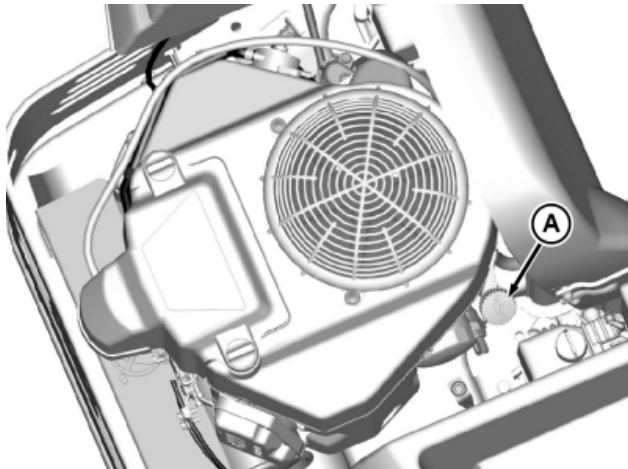
**IMPORTANT:** Dirt and contamination can enter engine when checking oil level. Clean area around dipstick before loosening or removing.

3. Clean area around dipstick to prevent debris from falling into crankcase.



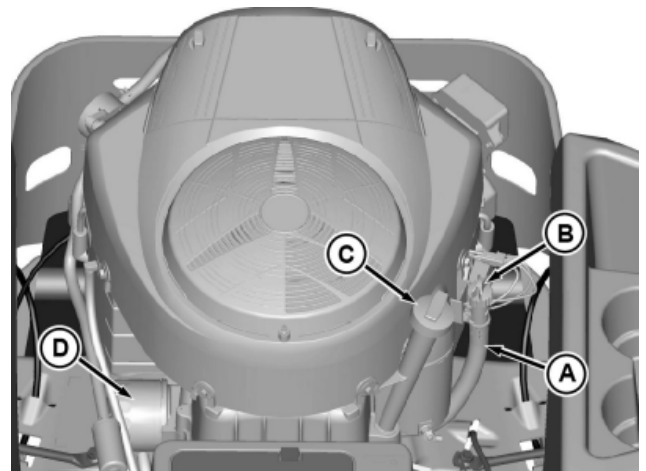
Models Z535M and Z535R

GXT002424—UN—15JUL15



Models Z540M and Z540R

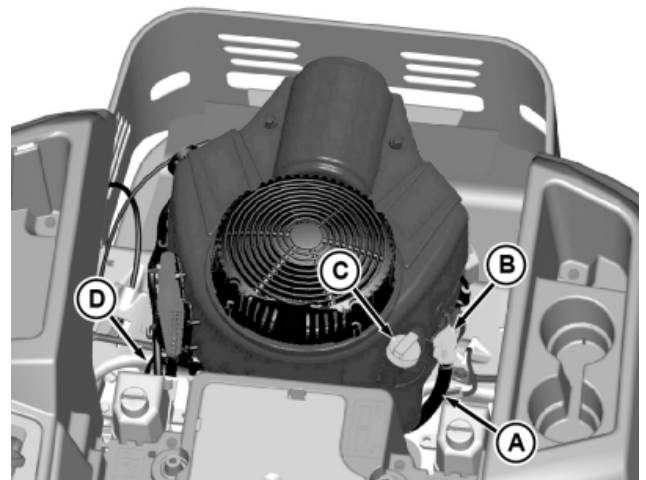
GXT002415—UN—15JUL15



Model Z525E

GXT002410—UN—15JUL15

3. To check oil level on dipstick:  
**Models Z525E, Z535M and Z535R**
  - a. Remove dipstick (A). Wipe with clean cloth.
  - b. Install and tighten dipstick.
  - c. Remove dipstick.
  - d. Check oil level on dipstick. Oil must be between ADD and FULL marks.**Models Z540M and Z540R**
  - a. Remove dipstick (A). Wipe with clean cloth.
  - b. Insert dipstick fully in tube, but do not tighten.
  - c. Remove dipstick.
  - d. Check oil level on dipstick. Oil must be between ADD and FULL marks.
4. If oil level is low, add oil to bring oil level no higher than FULL mark on dipstick. Do not overfill.
5. Install and tighten dipstick.



Models Z535M and Z535R

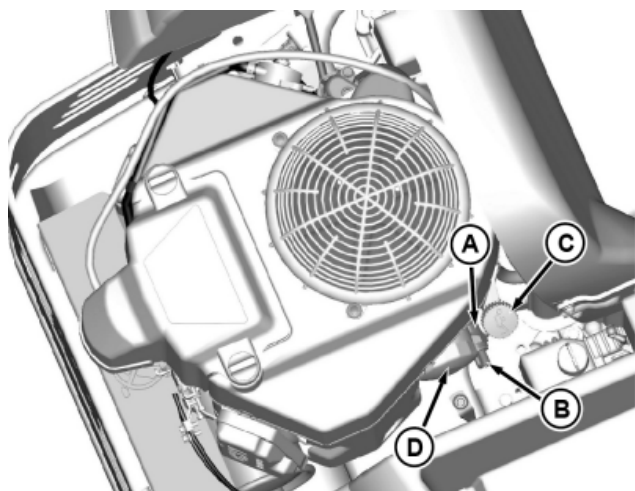
GXT002425—UN—15JUL15

# Service Engine

## Cleaning Engine Screen Guard

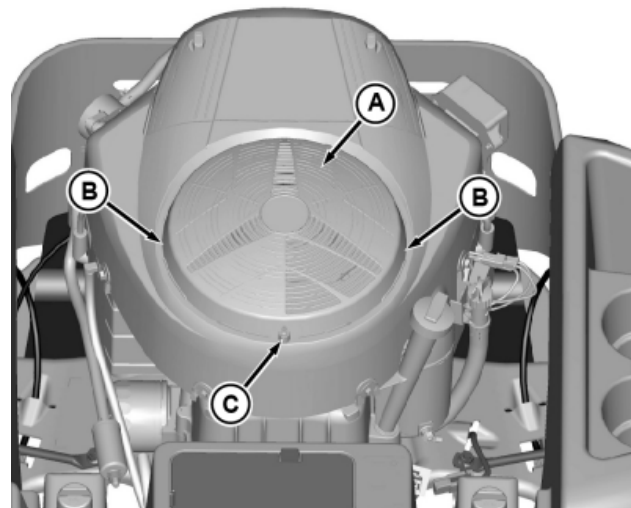
### Model Z525E

The Z525E engine incorporates a removable guard over the rotating flywheel cover at the top of the engine. The guard should be removed to check for and remove any debris daily in conjunction with checking engine oil level.



GXT002416—UN—15JUL15

Models Z540M and Z540R



GXT002411—UN—15JUL15

4. Prepare to drain oil:
  - Models Z525E, Z535M and Z535R — Disconnect oil drain hose (A) from the side of the engine and lower hose, routing the oil drain hose down through the opening behind the transmission oil reservoir bottle. Ensure that the drain valve will not drain onto the transmission housing, transmission fan and frame.
  - Models Z540M and Z540R — Put drain pan under drain valve (A).
5. Drain oil:
  - Models Z525E, Z535M and Z535R — Loosen dipstick (C). Remove the oil drain cap (B) and drain the oil into an approved container until the oil has drained completely.
  - Models Z540M and Z540R — Do not loosen dipstick (C) until the oil drain valve is partially open. Partially open drain valve and slowly loosen dipstick cap to ensure oil flow control. Once oil begins draining, loosen dipstick cap and oil drain valve cap completely. Drain the oil into an approved container until the oil has drained completely.
6. Wipe dirt from around oil filter (D). Place a drain pan under oil filter, and remove filter.
7. Put a light coat of fresh, clean oil on the new filter gasket.
8. Install replacement oil filter by turning oil filter to the right (clockwise) until the rubber gasket contacts filter base. Tighten filter an additional one-half turn.
9. After oil has drained, install the drain cap (B) on all models.
10. Models Z525E, Z535M and Z535R — Attach drain hose assembly (A) to side of engine
11. Add oil no higher than FULL mark on dipstick. Begin with per specification, do not overfill.
 

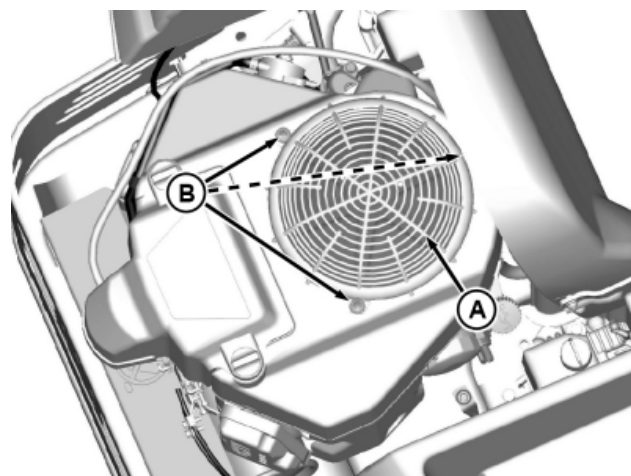
| <b>Specification</b>                                   |                    |
|--|--------------------|
| Models Z525E, Z535M and Z535R Beginning Oil — Capacity | 1.6 L<br>(1.75 qt) |
| Models Z540M and Z540R Beginning Oil — Capacity        | 2.1 L<br>(2.2 qt)  |
12. Tighten dipstick.
13. Start and run engine at idle to check for leaks. Stop engine. Fix any leaks before operating.
14. Check oil level. Add oil if necessary.

1. Locate rotating screen guard (A) at top of engine, and the two retaining tabs (B), embossed with a finger symbol.
2. Remove screw (C) (if equipped). Push in on the two retaining tabs (B) and lift off guard (A).
3. Clean guard and flywheel cover of debris.
4. Install guard after cleaning.

### Models Z535M and Z535R

Removal of engine screen guard is not necessary.

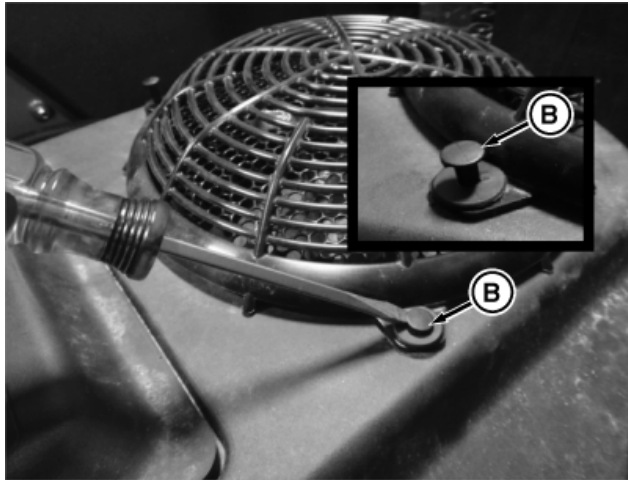
### Models Z540M and Z540R



GXT002417—UN—15JUL15



# Service Engine



MXT005379—UN—31JUL13

1. Locate rotating screen guard (A) at top of engine. Remove three rivets (B) by prying up using a screwdriver under head until it pops up. Lift off screen guard.
2. Clean guard, flywheel cover, and the rotating flywheel screen of debris.
3. Install guard after cleaning. Rivets can be reinstalled by pushing them into the fastened position.

## Cleaning Engine Shroud

**CAUTION:** Avoid injury! Compressed air can cause debris to fly a long distance.

- Clear work area of bystanders.
- Wear eye protection when using compressed air for cleaning purposes.
- Reduce compressed air pressure to 210 kPa (30 psi).

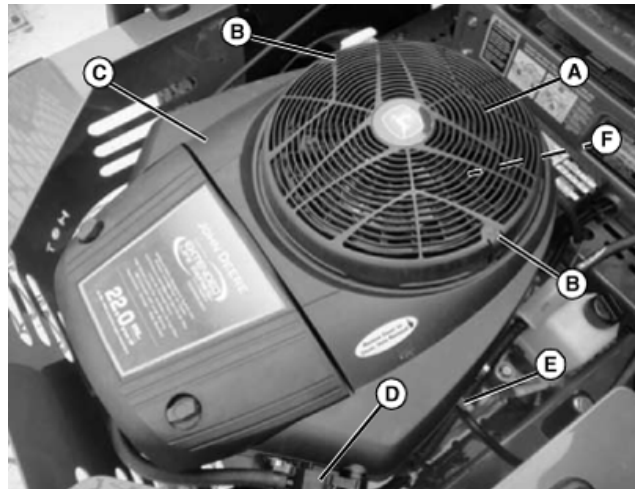
**IMPORTANT:** An obstructed air intake screen can cause engine damage due to overheating. Keep air intake screens and other external surfaces of the engine, including cooling fins, clean at all times to allow adequate air intake.

For models Z535M and Z535R, also clean fins on oil cooler.

**CAUTION:** Avoid injury! Touching hot surfaces can burn skin. The engine, components, and fluids are hot if the engine has been running. Allow the engine to cool before servicing or working near the engine and components.

### Model Z525E

1. Park machine safely. (See Parking Safely in the SAFETY Section.)
2. Clean air intake screen and external engine surfaces (see Cleaning Air Intake Screen and Engine Fins in ENGINE Section).

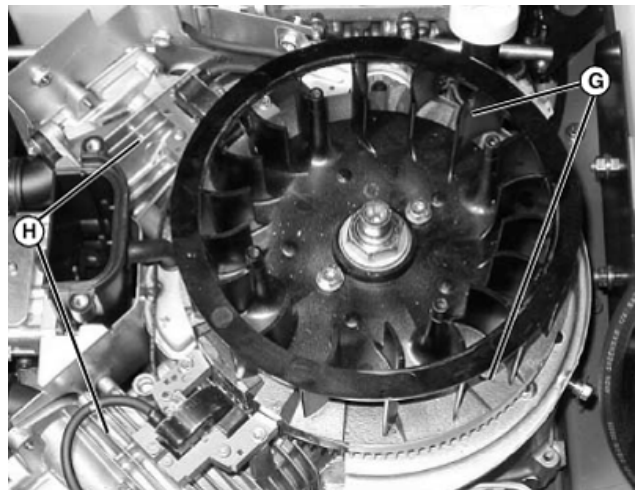


MXAL47081—UN—16APR13

3. Locate rotating screen guard (A) at top of engine, and the two retaining tabs (B), embossed with a finger symbol. Remove screw at front of screen guard (if equipped).
4. Push in on the two retaining tabs and lift off guard (A).
5. Clean guard and flywheel cover of debris.

**IMPORTANT:** Be careful to maintain position of fuel pump assembly (D), clips, (E) and fuel line. Also any other attached components when removing parts from side of engine.

6. Remove bolts and engine shroud (C).
7. Remove four bolts and rotating screen (F).



MXAL47082—UN—16APR13

8. Clean debris from:
  - Fan areas (G)
  - Cylinder head cooling fins (H)
  - Engine cooling fins
  - Area between engine and frame
9. Install rotating screen with four bolts.

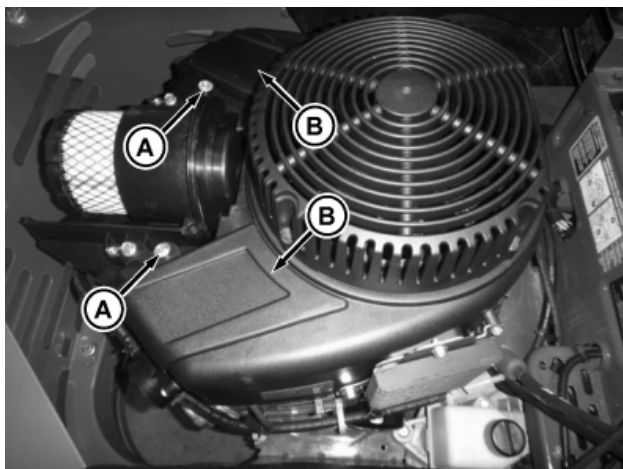
**IMPORTANT:** Engine shroud must be assembled so that slots in shroud align with ridge in air intake and mating surfaces along sides of engine. Failure to assemble correctly will prevent the air filter from sealing and may cause engine damage.

# Service Engine

10. Install shroud with hardware.

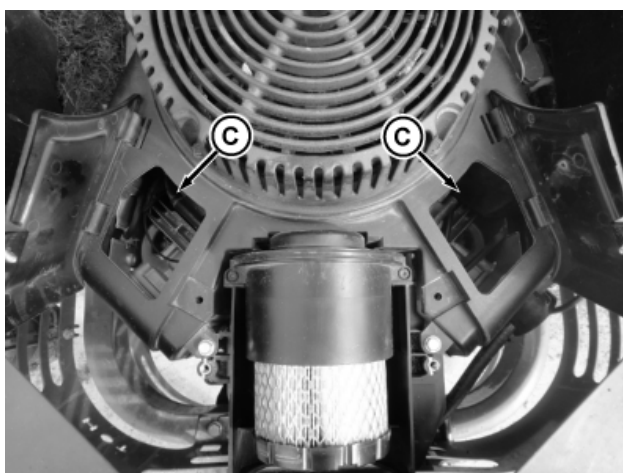
## Models Z535M and Z535R

1. Park machine safely. (See Parking Safely in the SAFETY Section.)
2. Clean air intake screen and external engine surfaces (see Cleaning Air Intake Screen and Engine Fins in ENGINE Section).
3. Remove air cleaner cover.



GXT001680—UN—16SEP14

4. Loosen clean out port screws (A) until the cover can be removed.
5. Remove port covers (B).



GXT001681—UN—27OCT14

6. Clean debris from clean out ports (C) on either side of air cleaner.
7. Install port covers.
8. Secure with screws that were previously loosened.
9. Install air cleaner cover.

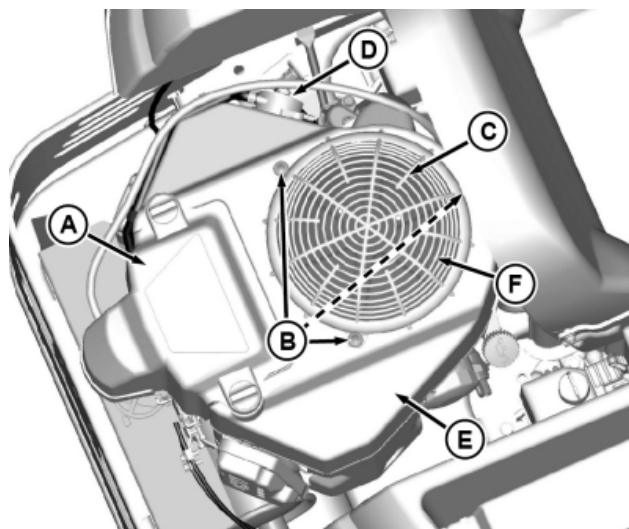


GXT001684—UN—17SEP14

10. Clean fins on oil cooler (D) (if equipped) as needed.

## Models Z540M and Z540R

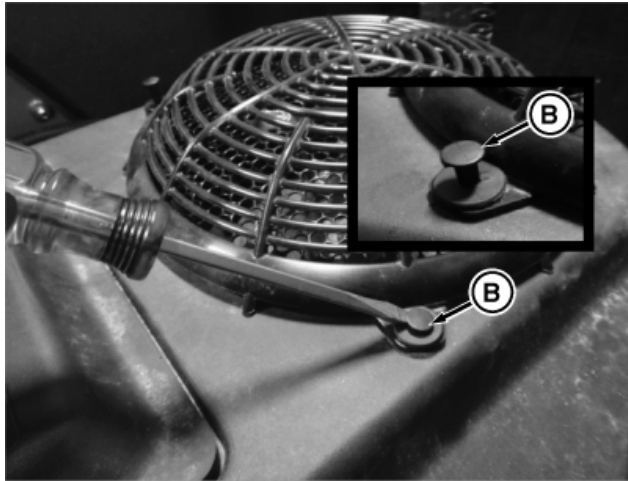
1. Park machine safely. (See Parking Safely in the SAFETY Section.)
2. Clean air intake screen and external engine surfaces (see Cleaning Air Intake Screen and Engine Fins in ENGINE Section).



GXT002418—UN—15JUL15

3. Loosen two knobs and remove air cleaner cover (A) and air filter.

# Service Engine

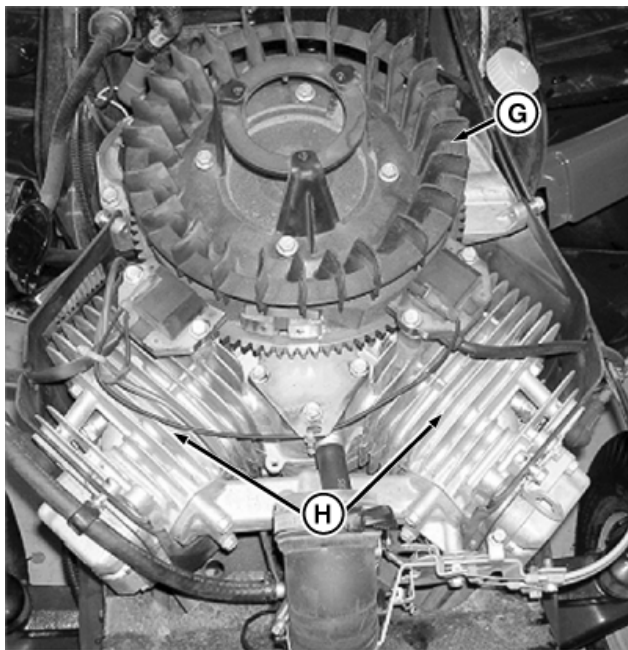


MXT005379—UN—31JUL13

4. Remove three rivets (B) by prying them up using a screwdriver under the head until it pops up.
5. Remove the rotating screen guard (C).

**IMPORTANT: Be careful to maintain position of fuel pump assembly (D), clips for fuel line, and any other attached components when removing parts from side of engine.**

6. Remove two screws holding fuel pump (D) to side of engine.
7. Remove bolts, the rotating screen, (F) and engine shroud (E).



MXT005356—UN—31JUL13

8. Clean debris from:
  - Fan areas (G)
  - Cylinder head cooling fins (H)
  - Area between engine and frame

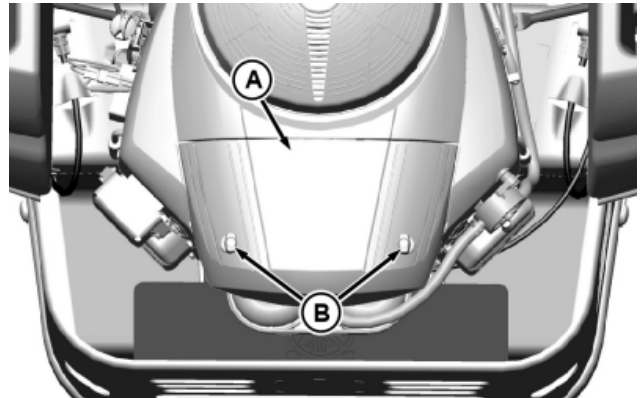
**IMPORTANT: Engine shroud must be assembled so that the slots in the shroud align with ridge in air intake and mating surfaces along sides of engine. Failure to assemble correctly will prevent the air filter from sealing and may cause engine damage.**

9. Install shroud, fuel pump, rotating screen and any other components removed earlier.
10. Install rotating screen guard with three rivets. Rivets can be reinstalled by pushing them into the fastened position.
11. Install air filter and air cleaner cover.

## Checking and Cleaning Air Cleaner Element

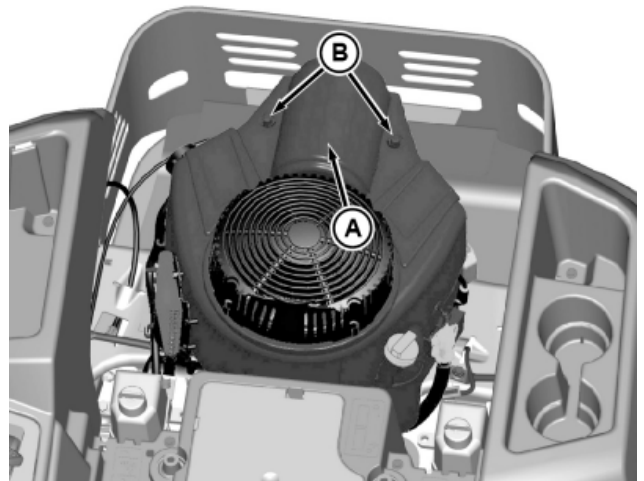
**Models Z525E, Z535M, Z535R, Z540M and Z540R**

1. Park machine safely. (See Parking Safely in the SAFETY section.)
2. Let engine cool.



GXT002412—UN—15JUL15

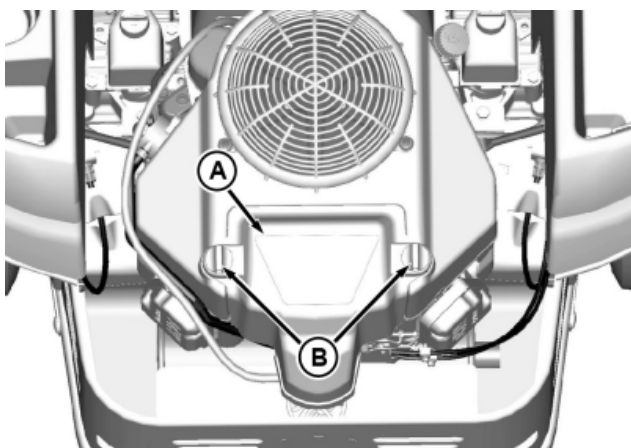
Model Z525E



GXT002426—UN—15JUL15

Models Z535M and Z535R

# Service Engine



GXT002419—UN—15JUL15

Models Z540M and Z540R

3. Clean dirt and debris from the air cleaner cover (A).
4. Loosen two knobs (B) and remove cover.

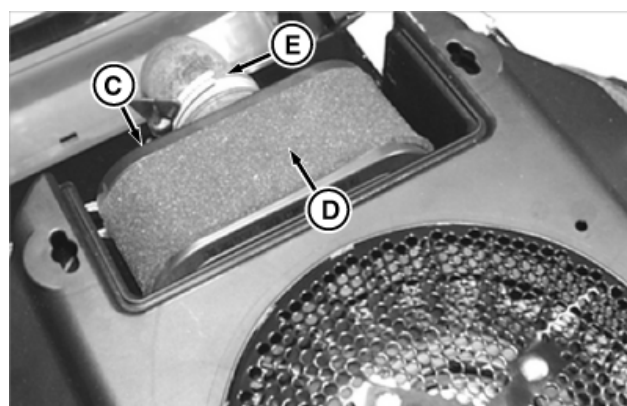
**IMPORTANT:** To prevent engine damage, do not allow any foreign objects to fall into the carburetor air intake.

**NOTE:** During filter cartridge removal, any material or foreign object that enters the air intake must be removed before replacement of the cartridge.



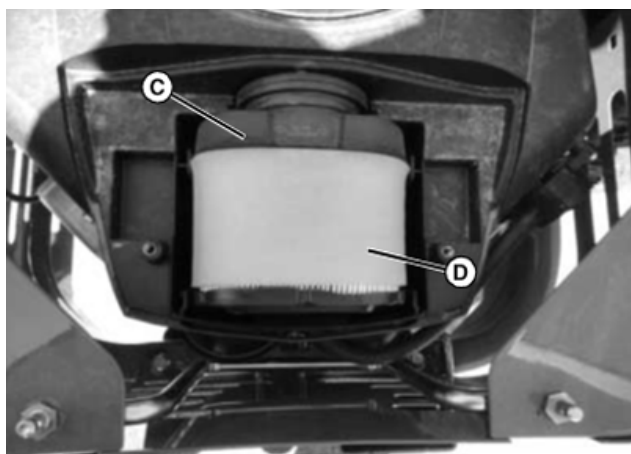
GXT001683—UN—16SEP14

Models Z535M and Z535R



MXT005354—UN—08JUN13

Models Z540M and Z540R



MXAL47088—UN—16APR13

Model Z525E

5. Lift out filter cartridge (C) and inspect it for damage.

**IMPORTANT:** Dirt and debris can enter the engine through a damaged filter element:

- Do not wash paper element.
- Do not attempt to clean paper element by tapping against another object.
- Do not use pressurized air to clean element.
- Replace element only if it is dirty, damaged or the seal is cracked.

6. Inspect the foam pre-cleaner (D) (If Equipped) without removing it. If the foam pre-cleaner is dirty:
  - a. Remove it from the filter carefully.
  - b. Wash pre-cleaner in a solution of warm water and liquid detergent.

**NOTE:** Do not put engine oil on pre cleaner. Engine oil may wick into the paper filter element and result in poor engine performance.

- c. Rinse pre-cleaner thoroughly. Squeeze out excess water in a dry cloth until pre cleaner is dry.
  - d. Replace the pre-cleaner if damaged or missing.
7. Inspect paper filter element. Replace the filter element if damaged or dirty.

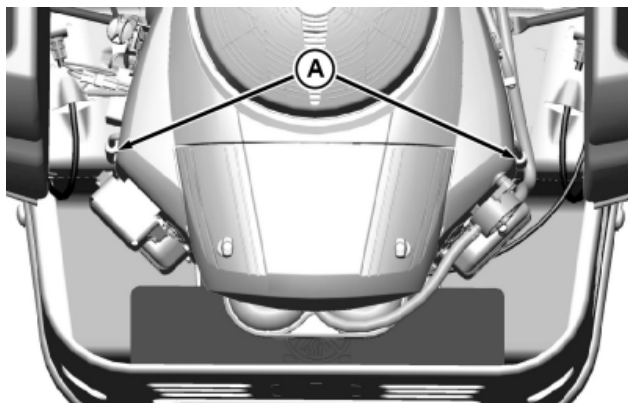
# Service Engine

- Clean air cleaner base carefully. Prevent any dirt from falling into carburetor or air intake tube.
- Install foam precleaner (D) mesh side up on paper filter element. Position air filter in air filter base:
  - Model Z525E install cartridge. Make sure that cartridge and seal are properly seated and sealing the carburetor air intake area.
  - Models Z535M, Z535R, Z540M and Z540R, install also on air intake tube (E). Align air filter clamp on intake tube groove and tighten clamp by turning thumbscrew clockwise until secure.
- Install air cleaner cover and tighten knobs. Do not overtighten.

## Checking Spark Plug

**CAUTION:** Touching hot surfaces can burn skin. The engine, components, and fluids will be hot if the engine has been running. Allow the engine to cool before servicing or working near the engine and components.

- Park machine safely (See Parking Safely in the SAFETY section).



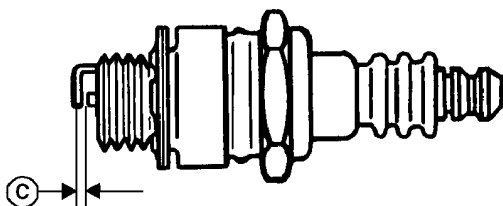
GXT002413—UN—15JUL15

Standard twin cylinder engine shown.

- Disconnect spark plug wire (A). For the twin cylinder engines, there is a spark plug on each side of engine.
- Remove each spark plug.
- Clean spark plug carefully with a wire brush.
- Inspect spark plug for:
  - Cracked porcelain.
  - Pitted or damaged electrodes.
  - Other wear or damage.

*NOTE:* In Canada, replace spark plug with resistor plug only.

- Replace spark plug(s) as necessary.



MXAL47092—UN—16APR13

- Check plug gap (C) with a wire feeler gauge. To change gap, move the outer electrode. Gap must be set to specification.

### Specification

Spark Plug — Gap ..... 0.75 mm (0.030 in.)

- Install spark plugs and tighten to specification.

### Specification

Spark Plug — Torque ..... 20 N·m (180 lb-in.)

- Connect spark plug wire(s).

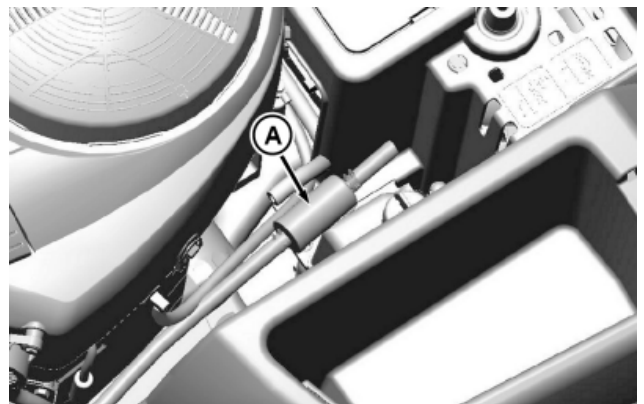
## Replacing Fuel Filter

**CAUTION:** Avoid injury! Fuel vapors are explosive and flammable:

- Do not smoke while handling fuel.
- Keep fuel away from flames or sparks.
- Shut off engine before servicing.
- Cool engine before servicing.
- Work in a well-ventilated area.
- Clean up spilled fuel immediately.

*NOTE:* Change filter when fuel is low.

- Park machine safely. (See Parking Safely in the SAFETY section).
- Let engine cool.
- Raise operator's seat if required.
- Put a drain pan under fuel filter.



GXT002414—UN—15JUL15

- Slide hose clamps on both sides of fuel filter (A) away from fuel filter ends using pliers.
- Disconnect hoses from filter.

**IMPORTANT:** Incorrect installation of fuel filter may cause engine damage. Install the filter with the arrow pointing in the direction of fuel flow (towards the engine) for proper operation.

- Connect hoses to new filter making sure the filter arrow is pointing in the direction of the fuel flow.
- Install clamps and check for leaks.

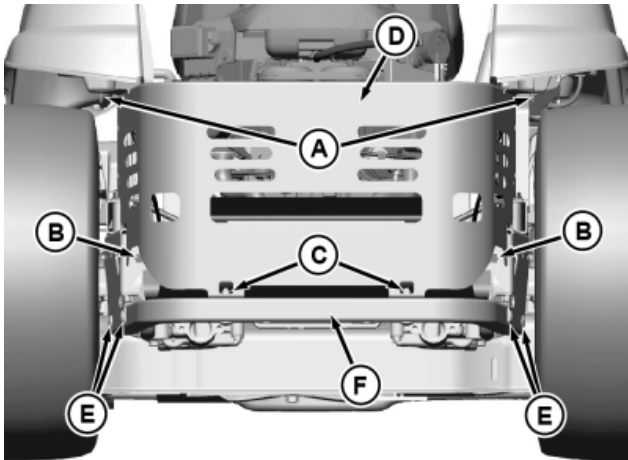
## Spark Arrestor Maintenance (if equipped)

Spark arrester assemblies include a screen element which should be inspected and cleaned periodically. Visually inspect the screen for tears, broken wires, or loose welds. Replace the spark arrester assembly if any of these conditions exist. If the screen is determined to

# Service Transmission

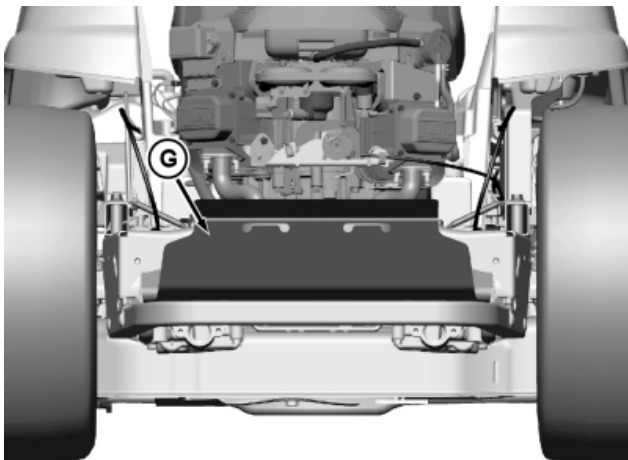
be intact and in good condition, proceed with cleaning the screen by brushing away loose dirt or carbon.

## Z525E, Z535M, Z535R



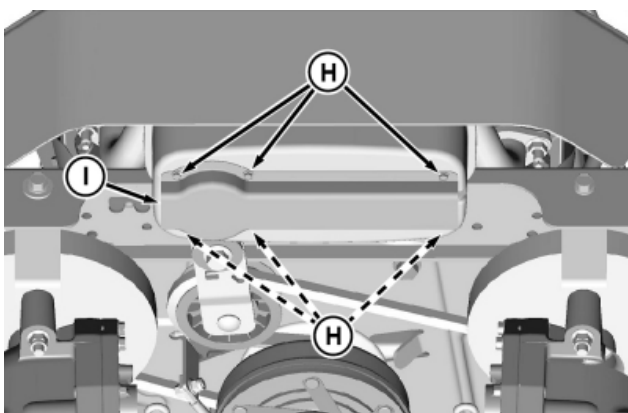
GXT002406—UN—16JUL15

1. Remove two push retainers (A), four bolts (B, C) and rear cover (D) from machine.
2. Remove four bolts (E) and frame tube (F).



GXT002407—UN—16JUL15

3. Remove muffler shield (G).

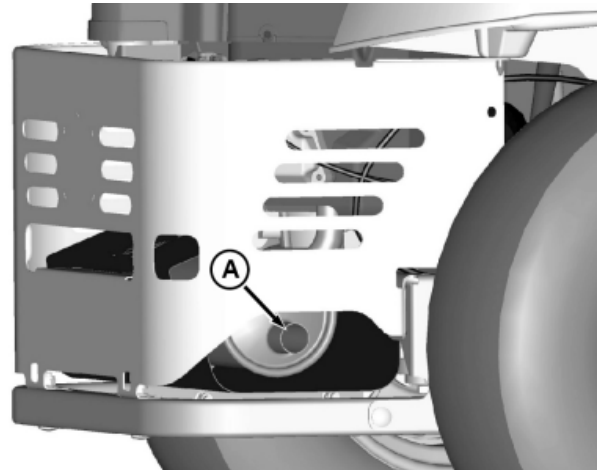


GXT002422—UN—16JUL15

4. Remove screws (H), spark arrestor cover (I) and spark arrestor from engine.
5. Inspect, clean, or if necessary, replace the screen if damaged.
6. Install spark arrestor and cover on muffler with original screws.
7. Install muffler shield and tighten hardware.

**NOTE:** If muffler sustains damage during the removal or installation process, replace muffler.

## Z540M, Z540R



GXT002203—UN—09JUN15

1. Remove screw and spark arrestor from end of muffler exhaust pipe (A).

**NOTE:** Observe direction of arrestor inside exhaust pipe for reassembly.

2. Inspect, clean, or if necessary, replace the screen if damaged.
3. Install spark arrestor on muffler exhaust pipe with original screw.

**NOTE:** If muffler sustains damage during the removal or installation process, replace muffler.

## Service Transmission

### Transmission Oil

Use only 10W-30.

DO NOT use type "F" automatic transmission fluid.

### Checking Transaxle Oil Level

1. Park machine safely on a level surface. (See Parking Safely in the SAFETY section.)

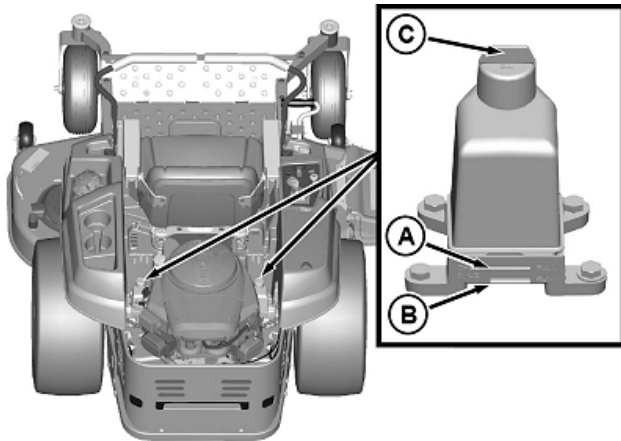
**IMPORTANT:** Hot hydraulic oil will expand and show incorrect oil level. Check oil level:

- When oil is cold.
- With engine not running.

2. Allow machine to cool.

**IMPORTANT:** Contamination can damage the hydraulic system. Clean thoroughly around reservoir fill cap before opening.

# Service Transmission



GXT002204—UN—09JUN15

3. Locate the left-hand and right-hand reservoirs at the rear of the machine. Each transmission has its own reservoir.
4. The reservoirs have two marks, FULL (A) and ADD (B). Check level with fluid cold.
5. If oil level is below the ADD line (B), clean area around reservoir cap and remove cap (C).
6. Remove foam insert.
7. Add oil until level is at FULL mark (A) on reservoir.
8. Install foam insert.
9. Install cap (C).
10. Start engine.
11. Operate machine forward and in reverse several times.
12. Park machine safely on a level surface. (See Parking Safely in the SAFETY section.)
13. Wait for hydraulic oil to cool.
14. Check oil level again. Add oil if necessary.

## Changing Transaxle Oil and Filter

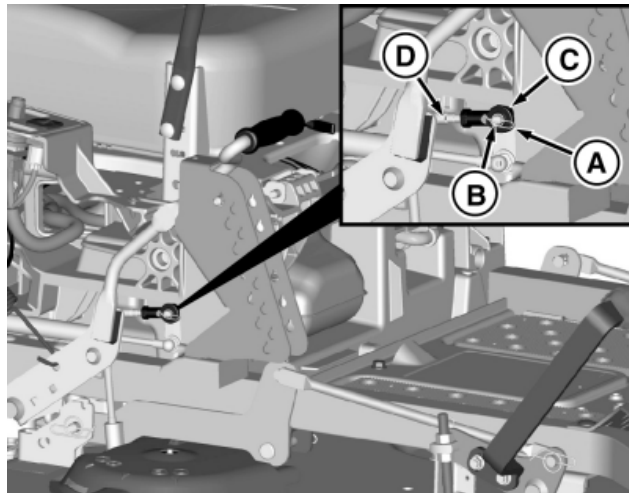
The transaxles on these models require no maintenance. If you suspect transmission problems, contact your authorized dealer.

## Checking and Adjusting Neutral Creep

Check neutral creep with engine running, motion control levers in the start/shutdown position, park brake off, and machine on level ground.

If the machine creeps forward or reverse while motion control levers are in the start/shutdown position, adjust the motion control lever linkages:

1. Park machine safely. (See Parking Safely in the SAFETY section.)
2. Remove style panel for better access to adjustment components (if desired). (See Removing and Installing Style Cover in the SERVICE MISCELLANEOUS section.):



GXT002408—UN—30JUL15

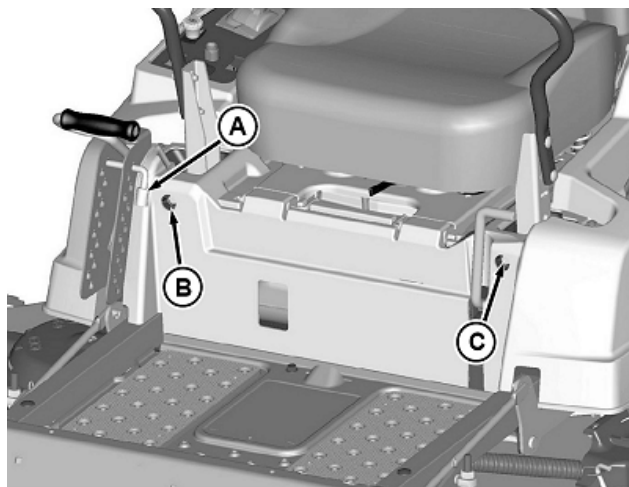
Right side of machine shown with machine parts removed for a clearer image.

3. On linkage side needing adjustment (right side shown), remove spring locking clip (A) and rod end (B) from pivot pin (C). Turn rod end (B) on rod (D) in (clockwise) to decrease forward creep and out (counterclockwise) to decrease reverse creep. Repeat procedure, as necessary, on opposite side. Install rod ends back onto arms and secure with spring locking clips.

## Adjusting Tracking

If the machine does not track in a straight line while going in full forward position, the tracking requires adjustment.

1. Park machine safely. (See Parking Safely in the SAFETY section.)



GXT002205—UN—09JUN15

2. Adjust tracking with the 13 mm socket on the free end of the deck height adjustment lock pin (A) as follows:

**NOTE:** Tracking bolts limit top forward speed. If both levers hit against the tracking bolts, turn both bolts counterclockwise equal amounts until only one bolt contacts the lever. This will achieve maximum forward speed.

- If machine tracks to the left, turn tracking bolt (B) clockwise.
- If machine tracks to the right, turn tracking bolt (C) clockwise.

# Service Transmission

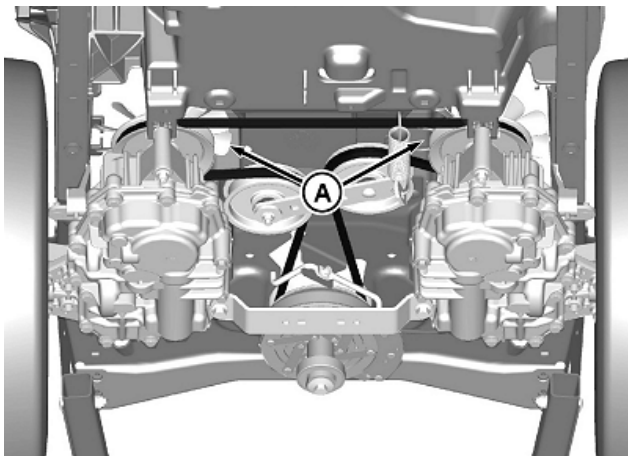
## Cleaning Transaxle Cooling Fans

**CAUTION:** Avoid injury! Compressed air can cause debris to fly a long distance.

- Clear work area of bystanders.
- Wear eye protection when using compressed air for cleaning purposes.
- Reduce compressed air pressure to 210 kPa (30 psi).

**IMPORTANT:** To ensure proper cooling, keep the transaxle cooling fins and surrounding area clean at all times. Operating the transaxle with obstructed cooling fins could cause damage due to overheating.

1. Park machine safely. (See Parking Safely in the SAFETY section.)



View from front of machine.

GXT002207—UN—09JUN15

2. Clean transaxle fan fins (A) and around exterior of each fan with a rag, brush or compressed air.

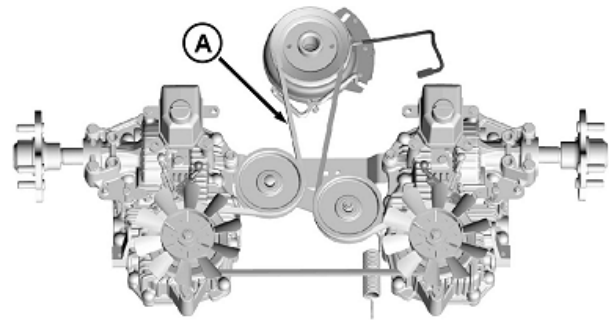
## Checking and Replacing Transaxle/Transmission Drive Belt

**CAUTION:** Avoid injury! Entanglement in a belt or sheave can cause serious injury. Stop engine and wait for all moving parts to stop.

**NOTE:** The transmission drive belts are self-adjusted using a spring tensioner and do not require a tension adjustment.

### Checking Transaxle/Transmission Drive Belt

1. Park machine safely. (See Parking Safely in the SAFETY section.)



GXT002208—UN—09JUN15

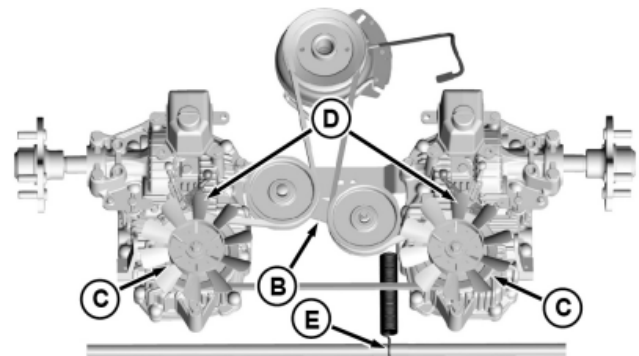
Components viewed from top front.

2. Inspect drive belt (A) for excessive wear, damage or stretching while in position on all machine sheaves.

### Replacing Transaxle/Transmission Drive Belt

1. Park machine safely. (See Parking Safely in the SAFETY section.)
2. Remove style panel. (See Removing and Installing Style Cover in the SERVICE MISCELLANEOUS section.)
3. Remove mower deck.
4. Disconnect electric clutch wiring connector from main wiring harness connector.

**CAUTION:** Avoid injury! Components are installed under spring tension. Wear eye protection and use proper tools when installing and removing components with spring tension.



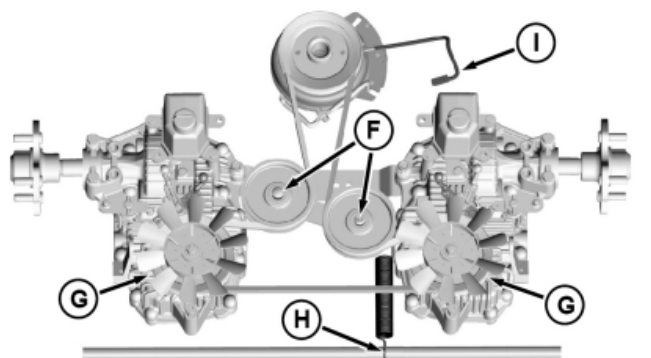
GXT002514—UN—30JUL15

Components viewed from top front.

5. Insert 3/8 in. ratchet into hole in the idler arm (B) and rotate the spring-loaded idler arm to relieve belt tension. Work belt off the transmission sheaves (C) and over the top of the cooler fans (D).
6. Remove belt from drive sheave on engine.
7. Disconnect spring (E) from rockshaft
8. Remove belt from underneath the machine.

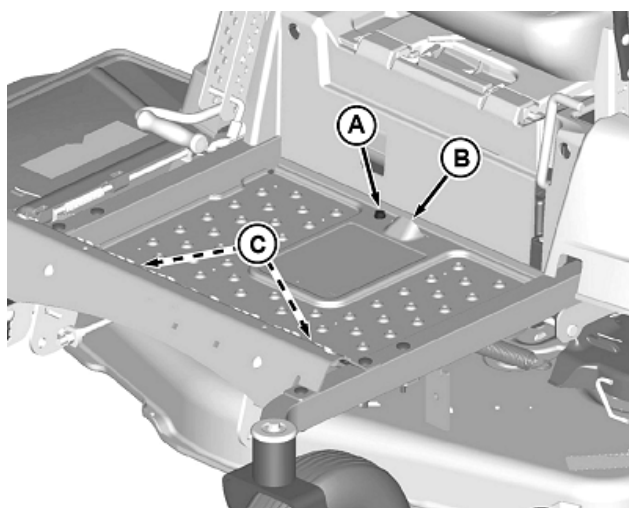


# Service Mower



GXT002515—UN—30JUL15

9. Position replacement belt around drive sheave on engine and route belt through idler sheaves (F).
10. Route belt on transmission sheaves (G) and tension belt by attaching spring (H) to rockshaft.
11. Insert electric clutch wiring harness connector (I) to main wiring harness.
12. Install mower deck.
13. Install style cover.



GXT002215—UN—10JUN15

2. Remove bolt (A).
3. Rotate foot plate up using finger pull (B).
4. Remove foot plate.

## Installing Foot Plate

1. Place tabs (C) of foot plate into slots in frame.
2. Lower foot plate.
3. Install bolt (A) to secure foot plate.

## Service Mower

### Mower Deck Identification

Mower decks in the following instructions are identified by a code designation. The codes are as follows:

| Code | Description                 |
|------|-----------------------------|
| 48A  | 48 inch Accel Deep™         |
| 48HC | 48 inch Edge™ High Capacity |
| 54A  | 54 inch Accel Deep™         |
| 54HC | 54 inch Edge™ High Capacity |
| 60HC | 60 inch Edge™ High Capacity |
| 62C  | 62 inchEdge™ Convertible    |

™ Accel Deep is a trademark of Deere & Company

™ Edge is a trademark of Deere & Company

### Removing Mower Deck (48A, 48HC, 54A, 54HC, 60HC and 62C)

1. Park machine safely. (See Parking Safely in the SAFETY section.)
2. Allow engine and muffler to cool completely.

**CAUTION: Avoid injury! Rotating blades are dangerous. Before adjusting or servicing mower:**

- Disconnect spark plug wire(s) or battery negative (-) cable to prevent engine from starting accidentally.
- Always wear gloves when handling mower blades or working near blades.

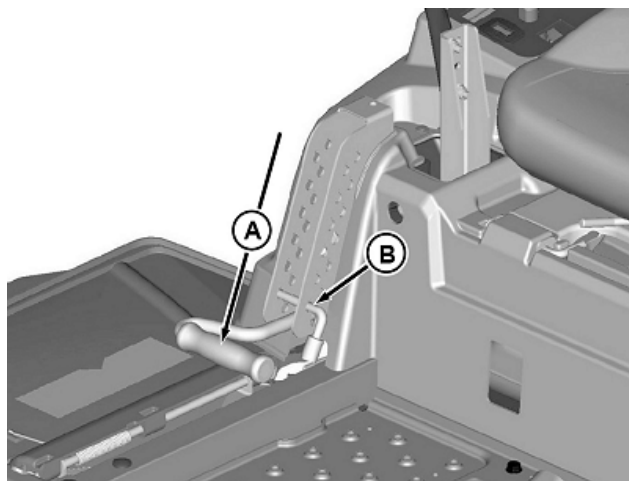
3. Raise mower deck to the transport lock position.

### Removing and Installing Mower Deck Foot Plate

**CAUTION: Avoid injury! Always operate the mower with the foot plate installed. Operating with the foot plate removed can cause serious injury.**

#### Removing Foot Plate

1. Park machine safely. (See Parking Safely in the SAFETY section.)

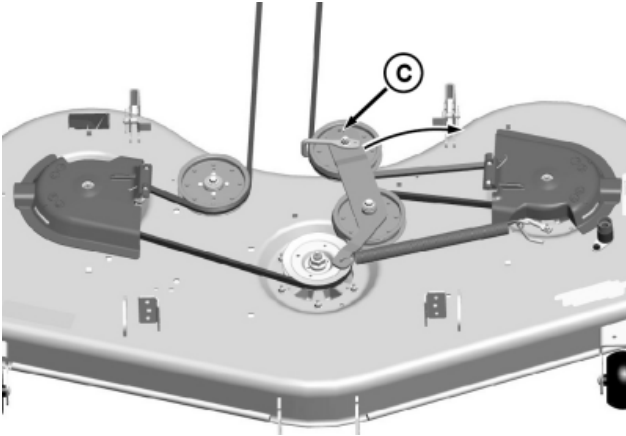


GXT002216—UN—10JUN15

# Service Mower

4. Remove lock pin, push handle to its lowest position (A) and install pin just above lever (B) to lock deck in lowered position.
5. Disconnect mower drive belt:

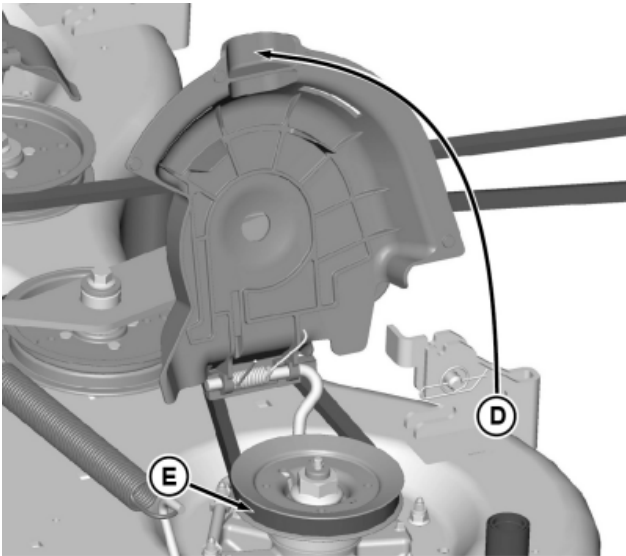
**CAUTION: Avoid injury! Component is spring-assisted and under tension. Injury can occur if spring-assisted component is released suddenly.**



GXT002516—UN—31JUL15

*Mower deck shown removed from machine for better view.*

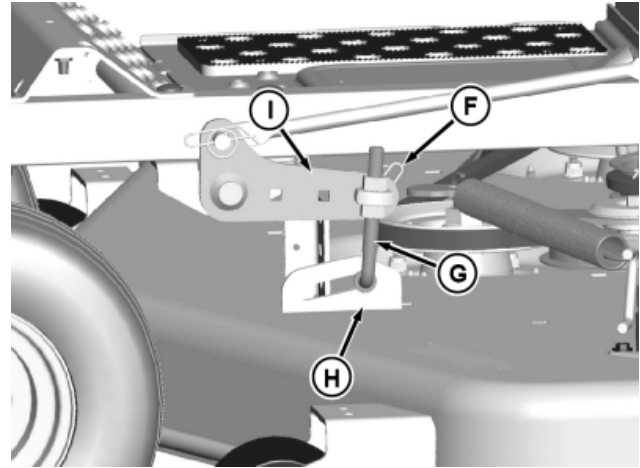
- From the left side of machine, insert a 3/8 inch ratchet into square hole (C) in tension arm and pull clockwise and hold to release tension on belt.



GXT002519—UN—31JUL15

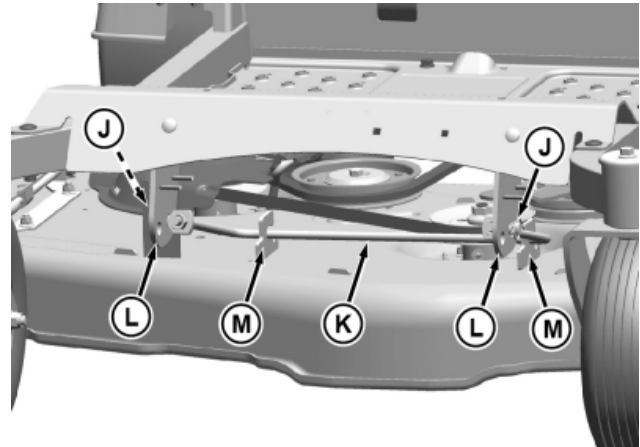
*Mower deck shown removed from machine for better view.*

- Raise left spindle cover (D) and remove belt (E) from spindle.
- Remove belt from clutch sheave.



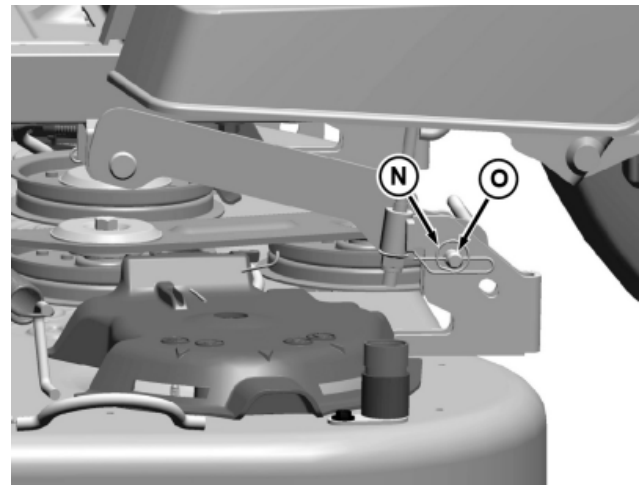
GXT002429—UN—16JUL15

6. **48HC, 54HC, 60HC and 62C Mower Deck Only:** Remove locking clip (F) from front draft link (G) and remove draft link from mower deck bracket (H) and draft bracket (I). Repeat on opposite side.



GXT002430—UN—16JUL15

7. **48A and 54A Mower Deck Only:** Remove locking clips (J), and remove front draft rod (K) from deck brackets (L) and mower hanger brackets (M).



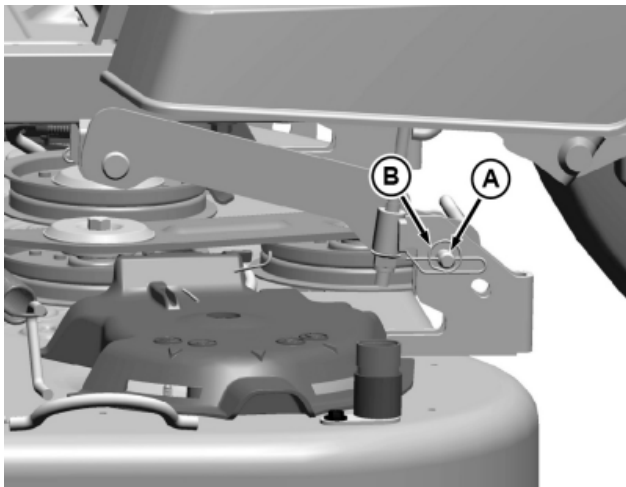
GXT002431—UN—31JUL15

# Service Mower

8. Remove spring clip (N) and pin (O) from each side of rear hanger bracket.
9. Raise draft arms to transport position:
  - a. Pull and raise mower lift lever fully upward.
  - b. Install pin just below lift lever to lock into raised position.
10. Rotate front caster wheels to maximize clearance.
11. Slide mower out from under the machine.
  - Do not operate the machine without the mower deck: Machine may become unstable without the mower deck attached. Move machine only by hand. (See Moving Machine by Hand in OPERATING section.)

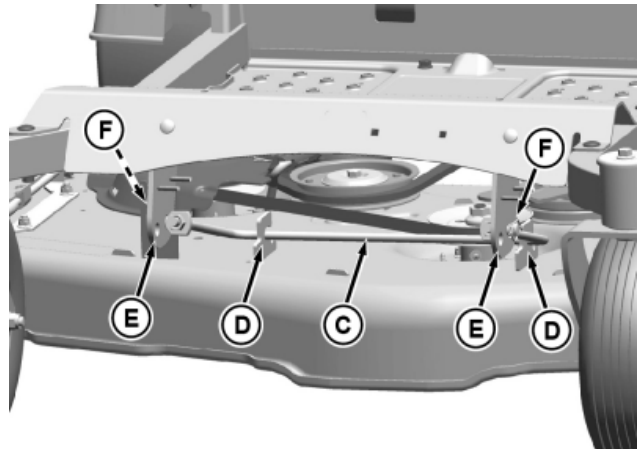
## Installing Mower Deck (48A, 48HC, 54A, 54HC, 60HC and 62C)

1. Park machine safely. (See Parking Safely in the SAFETY section.)
2. Allow engine and muffler to cool completely.
  - ⚠ CAUTION: Avoid injury! Rotating blades are dangerous. Before adjusting or servicing mower:**
    - Disconnect spark plug wire(s) or battery negative (-) cable to prevent engine from starting accidentally.
    - Always wear gloves when handling mower blades or working near blades.
3. Raise mower lift lever fully upward into transport lock position.
4. Slide mower deck under machine.



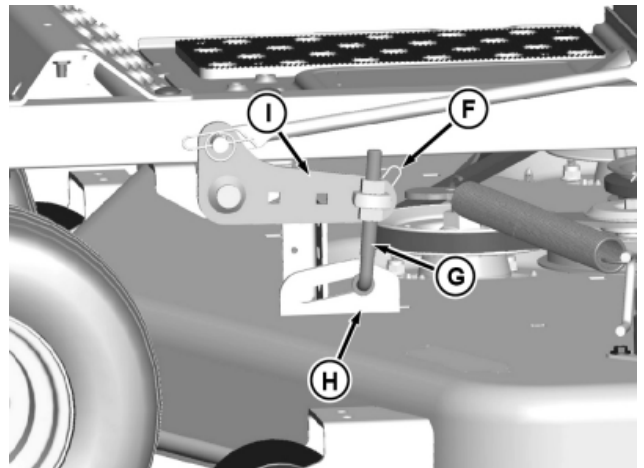
GXT002432—UN—31JUL15

5. Lower mower lift lever, and install pin (A) and spring clip (B) onto each side of rear mower bracket.



GXT002433—UN—16JUL15

6. **48A and 54A Mower Only:** Install front hanger rod (C) onto mower deck bracket (D) and onto draft bracket (E). Secure each stud end with locking clip (F).

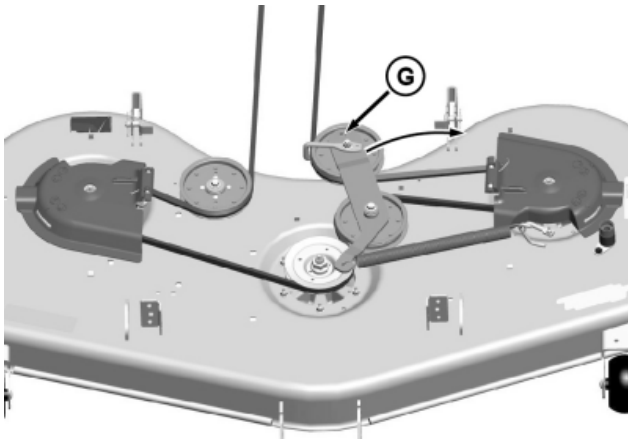


GXT002429—UN—16JUL15

7. **48HC, 54HC, 60HC and 62C Mower Only:** Install front hanger rod (J) onto mower deck brackets (K) and onto draft brackets (L). Secure each stud end with locking clip (M).

# Service Mower

**⚠ CAUTION: Avoid injury! Component is spring-assisted and under tension. Injury can occur if spring-assisted component is released suddenly.**

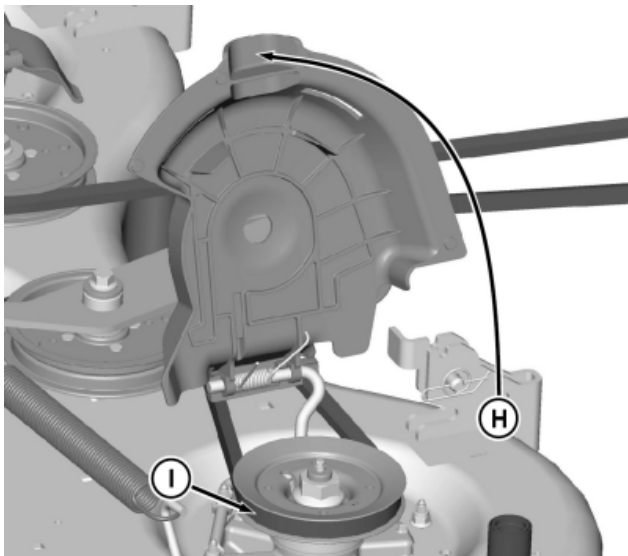


GXT002218—UN—31JUL15

8. Connect mower drive belt:
  - Install belt onto engine sheave.

*NOTE: Left and right spindle sheaves are hidden by belt covers. Failure to seat belt properly on sheaves may result in belt damage.*

- Insert 3/8 inch ratchet onto square hole (G) in tension arm. Rotate arm clockwise and hold to release spring tension on idler sheave.

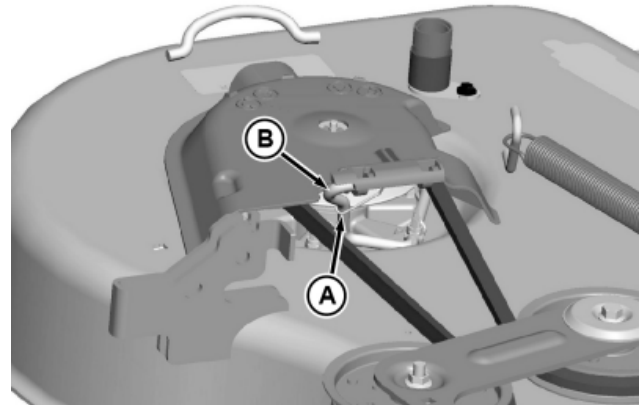


GXT002520—UN—31JUL15

- Lift left spindle cover (H) and install mower belt (I) onto left spindle sheave. Release spindle cover and tension arm.
- Flip up left and right spindle covers to check that belt is correctly routed on all sheaves.

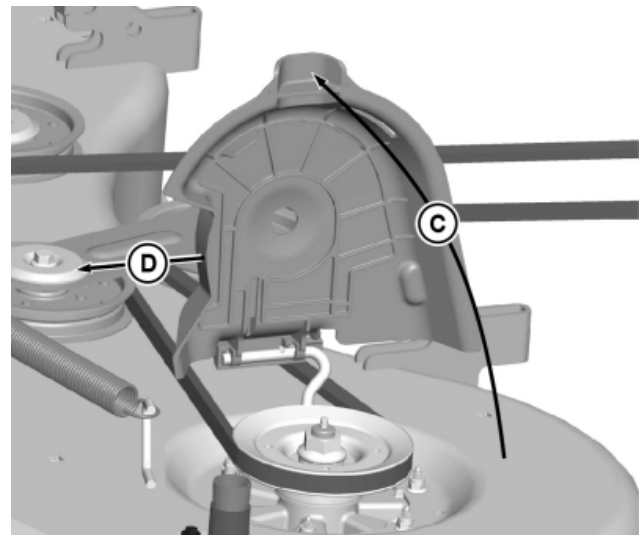
1. Park machine safely. (See Parking Safely in SAFETY section.)
2. Allow engine and muffler to cool completely.
3. Remove mower deck.
4. Remove deck drive belt as follows:

**⚠ CAUTION: Avoid injury! Components are installed under spring tension. Wear eye protection and use proper tools when installing and removing components with spring tension.**



GXT002436—UN—16JUL15

- Unhook spindle cover (A) torsion spring (B) from wire form on each side of deck.



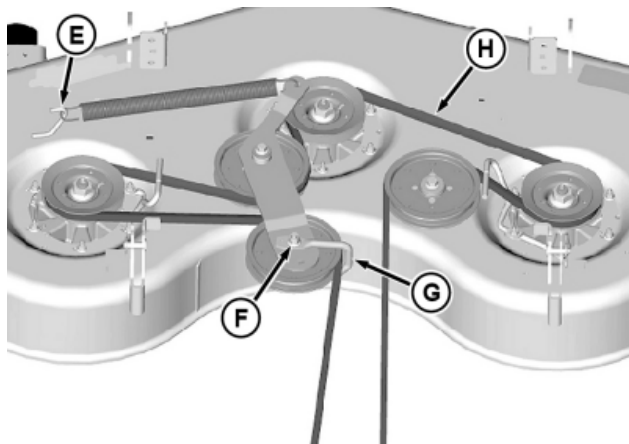
GXT002437—UN—16JUL15

- Lift each spindle cover (C) to align the wire form index tab with the mating key hole in the cover. Slide each cover forward (D) on wire form to remove from deck.

## Replacing Mower Drive Belt (Z500 Series with 48A, 48HC, 54A, 54HC, 60HC and 62C Mowers)

*NOTE: A 48HC deck has been used in the illustrations below. All mower decks listed above use a similar configuration of sheaves.*

# Service Mower



GXT002511—UN—31JUL15

- Remove spring from welded spring hook (E) on deck.
  - Remove nut (F) on tension sheave and lower bolt to remove guide (G). Remove belt (H) from all sheaves.
5. Inspect belt for wear or damage; replace as necessary.
  6. Clean top surface of mower deck and sheaves.
  7. Install belt on mower deck as shown.
  8. Make sure belt guide (G) is indexed as shown, and tighten nut (F) to specification.

#### Specification

Sheave Nut — Torque . . . . . 47 N·m (35 lb-ft)

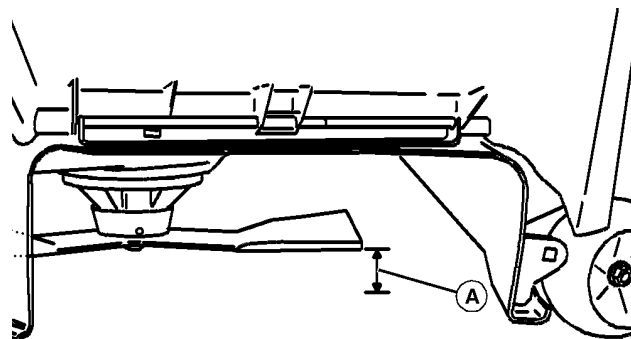
9. Install spring on welded spring hook (E) on deck.
- NOTE: Failure to seat belt properly on sheaves may result in belt damage.*
10. Make sure belt is properly seated on all sheaves, and install belt shields:
    - a. Hold shield perpendicular to deck shell, and place spring between mounting holes.
    - b. Aligning key hole in shield with index tab on wire form, slide shield, and spring fully onto wire form.
    - c. Lower shield to deck, and pull curved leg of torsion spring down and around wire form.
  11. Install mower deck.

## Checking for Bent Mower Blades

**CAUTION: Avoid injury! Blades are sharp. Always wear gloves when handling blades or working near blades.**

**Replace blades if defective. Never straighten or weld them.**

1. Park machine safely. (See Parking Safely in the SAFETY section.)
2. Raise mower deck to highest position to access blades.



MXAL42867—UN—09APR13

Mower deck with side discharge used for illustration

3. Measure distance (A) between blade tip and flat ground surface.
4. Rotate blade 180° and measure distance between other blade tip and flat ground surface.
5. Install new blade if the difference between the two measurements is more than 3 mm (1/8 in.).
6. Repeat for all blades.

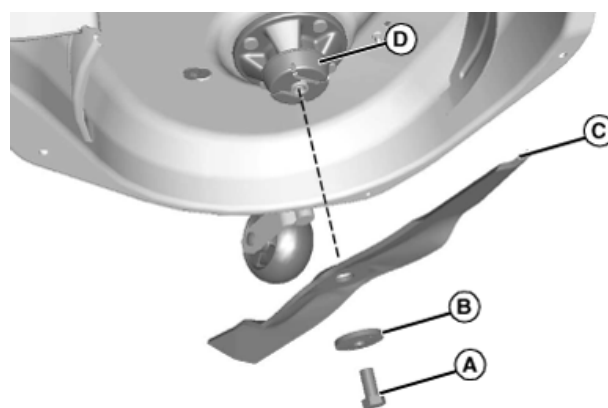
## Servicing Mower Blades

**CAUTION: Avoid injury! Rotating blades are dangerous. Before adjusting or servicing mower:**

- Disconnect spark plug wire(s) or battery negative (-) cable to prevent engine from starting accidentally.
- Always wear gloves when handling mower blades or working near blades.

### Removing Mower Blades

1. Park machine safely. (See Parking Safely in the SAFETY section.)
2. Raise mower deck to gain access to mower blades. If necessary, remove mower deck.
3. Block mower blade with a piece of wood to prevent it from spinning.



MXAL47131—UN—16APR13

Z500 Series 62 in. deck shown. Other decks are similar.

4. Loosen and remove bolt (A), washer (B), and blade (C).
5. Inspect blades; sharpen, balance or replace blades as necessary.

### Installing Mower Blades

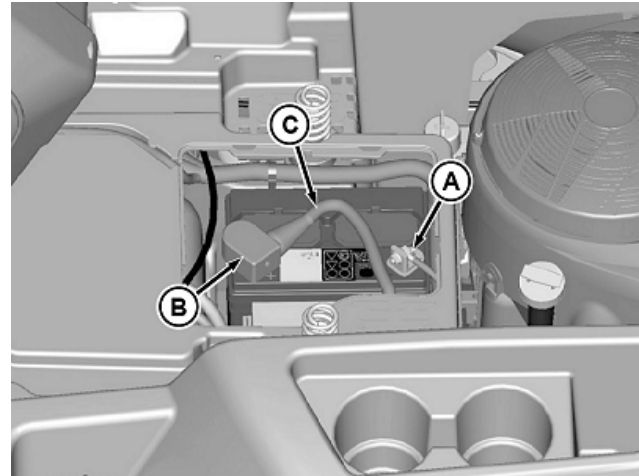
1. Make sure deflector cup (D) is seated properly between mower spindle and blade.

# Service Electrical

2. Position mower blade (C) with cutting edge toward ground onto mower spindle.
3. Install washer (B), with cupped side towards blade, and install bolt (A) to secure blade onto spindle shaft.
4. Block mower blade with a piece of wood to prevent spinning and tighten bolt to specification.

#### Specification

Mower Blade Bolt — Torque..... 68 N·m (50 lb-ft)



GXT002423—UN—15JUL15

## Service Electrical

### Electrical

**WARNING:** Battery posts, terminals and related accessories contain lead and lead components, chemicals known to the State of California to cause cancer and reproductive harm. **Wash hands after handling.**

### Service the Battery Safely



MXAL42869—UN—09APR13

**CAUTION:** Avoid injury! The battery produces a flammable and explosive gas.

To prevent the battery from exploding:

- Do not smoke or have open flame near battery.
- Wear eye protection and gloves.
- Do not allow direct metal contact across battery posts.
- Remove negative cable first when disconnecting.
- Install negative cable last when connecting.

### Removing and Installing the Battery

#### Removing

1. Park machine safely. (See Parking Safely in the SAFETY section.)
2. Rotate operator seat forward.
3. Remove battery compartment cover.

4. Disconnect negative (-) battery cable (A).
5. Push red cover (B) away from positive (+) battery terminal and remove cable (C) from battery.
6. Remove battery.

#### Installing

1. Place battery into battery tray as shown.
2. Connect positive (+) cable to battery first, then negative (-) cable.
3. Apply general-purpose grease or silicone spray to terminals to help prevent corrosion.
4. Slide red cover over positive battery terminal.
5. Install battery compartment cover.
6. Lower operator seat.

### Cleaning Battery and Terminals

1. Park machine safely. (See Parking Safely in the SAFETY section.)
2. Disconnect and remove battery.
3. Wash battery with solution of four tablespoons of baking soda to one gallon of water. Be careful not to get the soda solution into the cells.
4. Rinse the battery with plain water and dry.
5. Clean terminals and battery cable ends with wire brush until bright.
6. Install battery.
7. Attach cables to battery terminals, beginning with the positive cable, using washers and nuts.
8. Apply spray lubricant to terminal to prevent corrosion.

# Service Miscellaneous

## Using Booster Battery

**CAUTION: Avoid injury! The battery produces a flammable and explosive gas.**

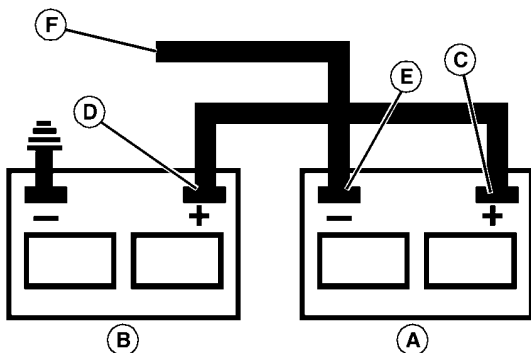
To prevent the battery from exploding:

- Do not smoke or have open flame near battery.
- Wear eye protection and gloves.
- Do not jump-start or charge a frozen battery. Warm battery to specification.

Specification

Battery — Temperature ..... 16°C (60°F)

- Do not connect the negative (-) booster cable to the negative (-) terminal of the discharged battery. Connect at a good ground location away from the discharged battery.



MXAL42872—UN—09APR13

- A — Booster Battery
- B — Disabled Vehicle Battery
- C — Positive (+) Post
- D — Positive (+) Post
- E — Negative (-) Post
- F — Negative (-) Booster Cable End

1. Connect positive (+) booster cable to booster battery (A) positive (+) post (C).
2. Connect the other end of positive (+) booster cable to the disabled vehicle battery (B) positive (+) post (D).
3. Connect negative (-) booster cable to booster battery negative (-) post (E).

**IMPORTANT: Avoid damage! Electric charges from the booster battery damages machine components. Do not install negative booster cable to machine frame. Install only to the engine block.**

**Install negative booster cable away from moving parts in the engine compartment, such as belts and fan blades.**

4. Connect the other end (F) of negative (-) booster cable to a metal part of the disabled machine engine block away from battery.
5. Start the engine of the disabled machine and run machine for several minutes.
6. Carefully disconnect the booster cables in the exact reverse order: negative cable first and then the positive cable.

## Replacing Fuse

1. Park machine safely. (See Parking Safely in the SAFETY section.)
2. Raise operator's seat.
3. Remove battery compartment cover.
4. Refer to the service label behind the operator's seat for fuse circuit identification and location.

5. Remove the fuse and check metal strip in fuse window. Discard fuse(s) if strip is broken.
6. Push new, correct amp, fuse into correct socket.
7. Lower operator's seat.

## Service Miscellaneous

### Using Proper Fuel and Stabilizer

**IMPORTANT: Avoid damage! Using stale, contaminated, or improper fuel can result in engine and fuel system damage. Repairs caused by stale, contaminated, or improper fuel are not covered by warranty.**

Use regular grade unleaded fuel with an octane rating of 87 octane or higher. Fuel blends containing up to 10% ethanol or up to 15% MTBE reformulated fuel are acceptable. Do not use fuel or additives containing methanol as engine damage can occur.

Always use fresh, clean fuel that is purchased in a quantity that can be used within approximately 30 days. Fuel stabilizer should always be added to the fuel each time fuel is purchased. Add stabilizer before filling the fuel container to insure proper mixing. Such practice helps prevent engine performance problems and allows fuel storage in the machine all year without draining.

Store fuel in plastic containers to reduce condensation. Make sure that the cap on the fuel container is tight to reduce fuel contamination and evaporation. For best fuel storage life, use a self-sealing gas can.

Fuel is blended to give best seasonal performance. To avoid engine performance problems such as hard starting or vapor lock, use in-season fuel. Use fuel during warm weather that was purchased during that season, and use fuel during cold weather that was purchased during that season.

Fuel can become stale in machines with engines that are used seasonally or infrequently during a season. Stale fuel can produce varnish and plug carburetor or EFI components which can affect engine performance.

Keep fuel storage container tightly covered and in a cool area out of direct sunlight. Fuel can break down and degrade if not sealed properly or exposed to sun and heat.

Condensation may collect in the fuel tank because of a variety of operating or environmental conditions and, over time, may affect your machine's operation. Fill machine fuel tank at the end of the day.

# Service Miscellaneous

## Filling Fuel Tank

**CAUTION:** Avoid injury! Fuel vapors are explosive and flammable:

- Shut engine off before filling fuel tank.
- Allow engine to cool before refueling.
- Do not smoke while handling fuel.
- Keep fuel away from flames or sparks.
- Fill fuel tank outdoors or in ventilated area.
- Clean up spilled fuel immediately.
- To prevent static electric discharge, use clean approved non-metal container.

**IMPORTANT:** Avoid damage! Dirt and water in fuel causes engine damage:

- Clean dirt and debris from the fuel tank opening.
- Use clean, fresh, stabilized fuel.
- To keep condensation out of the fuel tank, fill the fuel tank at the end of each days operation.
- Use a non-metallic funnel with a plastic mesh strainer when filling the fuel tank or container.

To prevent condensation and freezing during cold weather, fill fuel tank at the end of each days operation.

1. Park machine safely. (See Parking Safely in the SAFETY section.)
2. Allow engine to cool.
3. Remove any trash from area around fuel tank cap.
4. Remove fuel tank cap slowly to allow any pressure built up in tank to escape.
5. Fill fuel tank only to bottom of filler neck. Do not overfill.
6. Install fuel tank cap.
  - Gas models: Turn cap until clicks.

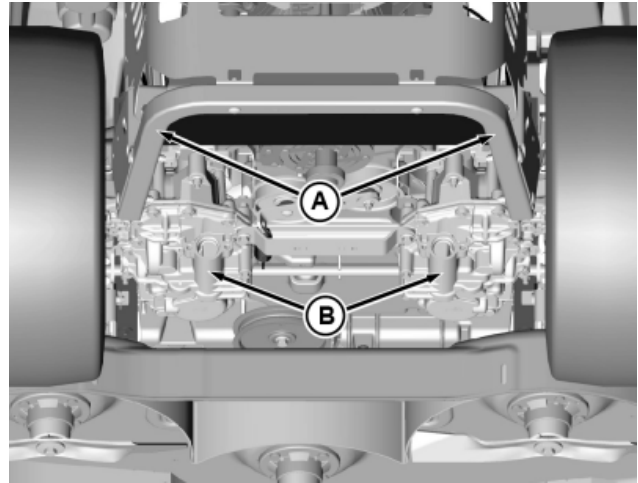
## Lifting Machine

1. Park machine safely. (See Parking Safely in the SAFETY section.)

**CAUTION:** Avoid injury! The machine can fall or slip from an unsafe lifting device or supports.

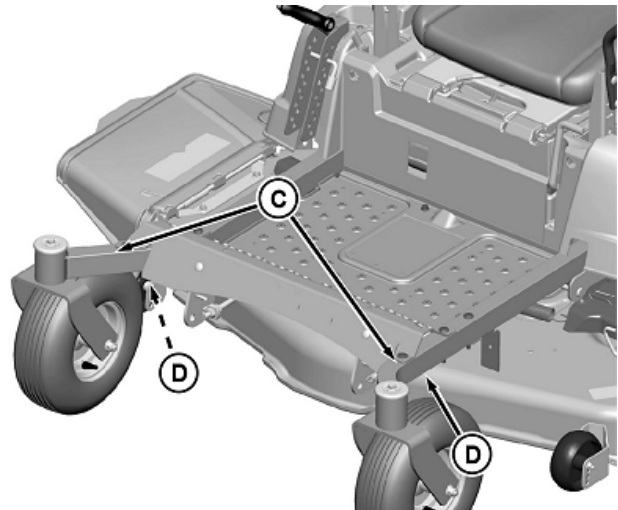
- Use a safe lifting device rated for the load to be lifted.
- Lower machine onto jack stands or other stable supports and block wheels before servicing.

*NOTE: Remove any material collection system attachments prior to lifting machine.*



GXT002211—UN—09JUN15

2. Safely lift rear of machine frame points (A). Place jack stands or other stable supports onto transaxle locations (B).



GXT002212—UN—09JUN15

3. Safely lift front of machine at machine frame point (C). Place jack stands or other stable supports onto machine frame locations (D).
4. If only lifting front of machine, block rear wheels remaining on ground to avoid movement of machine.
5. To lower machine, lift front and/or rear of machine, and remove jack stands or supports. Lower machine.



# Service Miscellaneous

## Checking Tire Pressure

**CAUTION: Avoid injury! Explosive separation of tire and rim parts is possible when they are serviced incorrectly:**

- Do not attempt to mount a tire without the proper equipment and experience to perform the job.
- Make sure that all tires are inflated to the recommended pressure, especially when operating on slopes. Low pressure can cause machine to become unstable on slopes.
- Do not weld or heat a wheel and tire assembly. Heat can cause an increase in air pressure resulting in an explosion. Welding can structurally weaken or deform the wheel.
- Do not stand in front or over the tire assembly when inflating. Use a clip-on chuck and extension hose long enough to allow you to stand to one side.

1. Check tires for damage.
2. Check tire pressure with an accurate low-pressure gauge. (See SPECIFICATIONS Section for correct tire pressure.)
3. A lower pressure will improve traction and performance depending on turf conditions or if transport areas have steep inclines.
4. Add or remove air, if necessary.

## Removing and Installing Wheel Assembly

### Removing

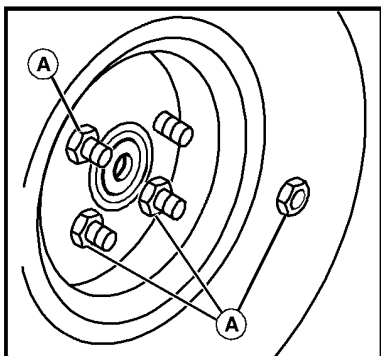
1. Park machine safely. (See Parking Safely in the Safety section.)

**CAUTION: Avoid injury! The machine can fall or slip from an unsafe lifting device or supports.**

- Use a safe lifting device rated for the load to be lifted.
- Lower machine onto jack stands or other stable supports and block wheels before servicing.

**IMPORTANT: Avoid damage! Place jack stands under frame, not under transmission or engine, when raising or supporting machine.**

2. Raise machine with a safe lifting device and lower machine onto jack stands or other stable supports. Block wheels remaining on the ground to prevent machine movement.



MXAL42875—UN—09APR13

3. Remove the wheel nuts (A).
4. Remove the wheel assembly.

**CAUTION: Avoid injury! Explosive separation of tire and rim parts is possible when they are serviced incorrectly:**

- Do not attempt to mount a tire without the proper equipment and experience to perform the job.

5. Take wheel assembly to an authorized service dealer for repairs.

### Installing

1. Install wheel assembly with valve stem to the outside.
2. Tighten wheel nuts evenly in alternating sequence until snug.
3. Lower machine completely to the ground.
4. Tighten wheel nuts to specification.

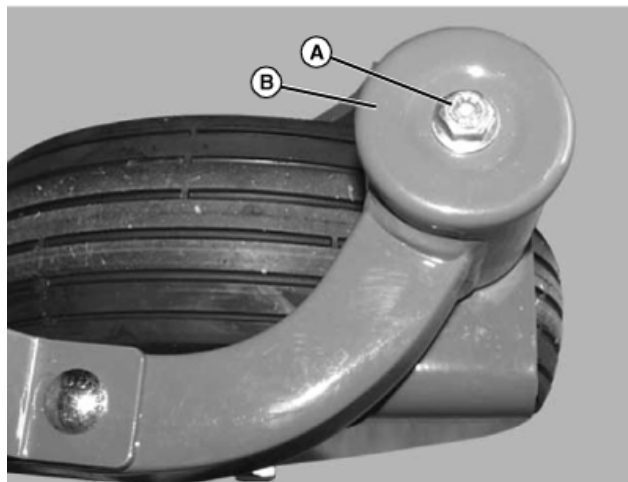
#### Specification

Wheel Nuts — Torque .....102 N·m (75 lb.-ft.)

## Removing and Installing Front Caster Wheels

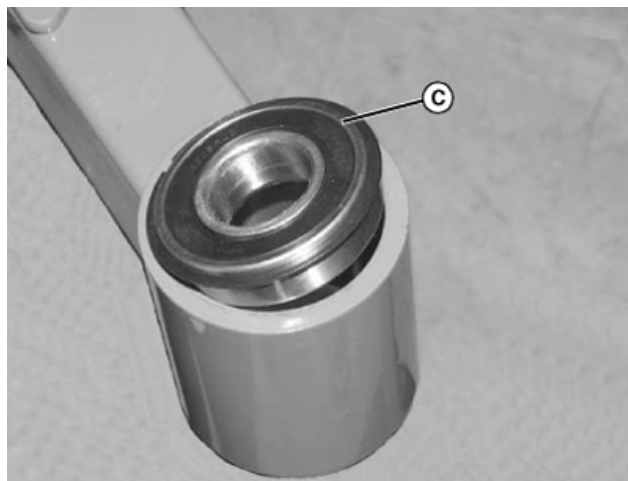
### Disassembly:

1. Park machine safely. See "Park Machine Safely" in the Safety section.
2. Jack up front of machine and place on safety stands.



MXAL47137—UN—16APR13

3. Support caster assembly and remove flange bolt (A) and cap (B).
4. Remove caster from machine.



MXAL47138—UN—16APR13

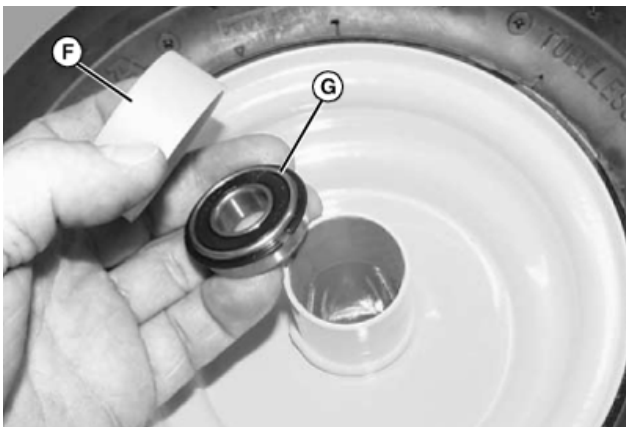
5. Inspect bearings (C) at top and bottom of frame. Replace worn or damaged bearings.

# Service Miscellaneous



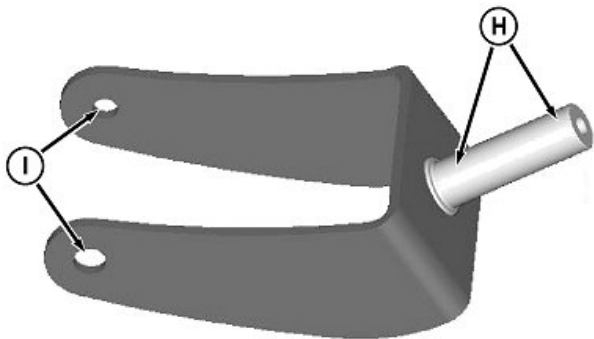
MXAL47139—UN—16APR13

6. Remove nut (D) and pull bolt out of caster.
7. Remove wheel assembly (E).



MXAL47140—UN—16APR13

8. Remove shield (F) and bearing (G). Inspect shields, wheel, and bearings for wear or damage. Replace worn or damaged parts.



GXT002156—UN—02JUN15

9. Inspect bearing wear areas (H), and bolt holes (I) for wear or damage. Replace if necessary.

### Assembly

- Apply grease to caster shaft and bolt.
- Assemble in the reverse order of disassembly.

- Tighten caster locknut and bolt to specification.

#### Specification

Caster Locknut — Torque . . . . . 47 N·m (35 lb-ft)

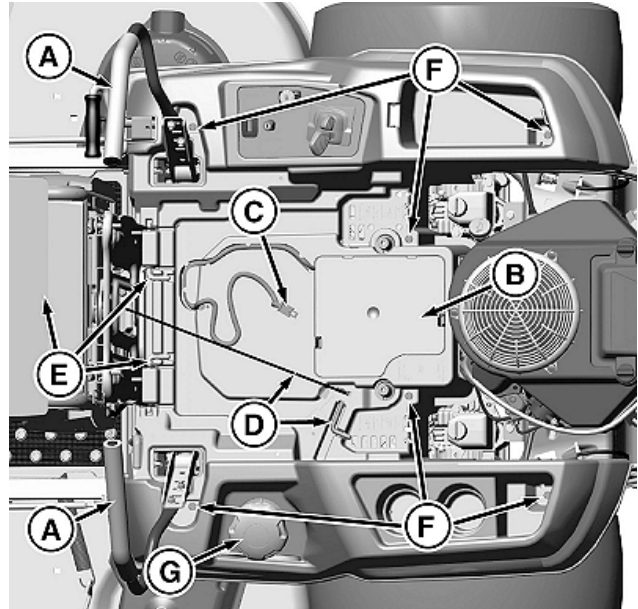
- Tighten flange bolt securing yoke to specification.

#### Specification

Flange Bolt — Torque . . . . . 47 N·m (35 lb-ft)

## Removing and Installing Style Cover

1. Park machine safely. (See Parking Safely in the SAFETY section.)



GXT002438—UN—15JUL15

2. Remove two bolts and motion control lever (A) from either side of machine.
3. Raise seat and rotate forward. Remove battery cover (B).
4. Disconnect seat switch wiring harness connector (C). Lift switch harness from channel in cover, and place in battery compartment.
5. Remove pin and seat lanyard (D) from cover. Remove two L-pins and seat (E).
6. Remove three push retainers (F) on each side of style panel.
7. Remove fuel tank cap (G) and cover tank opening.
8. Lift style panel to remove from machine and immediately install cap (G) on fuel tank.
9. Repeat steps in reverse order to install style panel on machine.

## Cleaning and Repairing Metal Surfaces

### Cleaning:

Follow automotive practices to care for your vehicle painted metal surfaces. Use a high-quality automotive wax regularly to maintain the factory look of your vehicle's painted surfaces.

### Repairing Minor Scratches (surface scratch):

1. Clean area to be repaired thoroughly.

**IMPORTANT: Avoid damage! Do not use rubbing compound on painted surfaces.**

2. Use automotive polishing compound to remove surface scratches.
3. Apply wax to entire surface.

# Troubleshooting

## Repairing Deep Scratches (bare metal or primer showing):

1. Clean area to be repaired with rubbing alcohol or mineral spirits.
2. Use paint stick with factory-matched colors available from your authorized dealer to fill scratches. Follow directions included on paint stick for use and for drying.
3. Smooth out surface using an automotive polishing compound. Do not use power buffer.
4. Apply wax to surface.

## Troubleshooting

### Using Troubleshooting Chart

If you are experiencing a problem that is not listed in this chart, see your authorized dealer for service.

When you have checked all the possible causes listed and you are still experiencing the problem, see your authorized dealer

## Engine

| IF                               | CHECK  |
|----------------------------------|--|
| Poor Engine Performance          | Dirt in fuel system or fuel is old. Replace fuel with fresh stabilized fuel. Obtain fuel from another supplier before suspecting machine problems. Suppliers blend fuels differently and changing suppliers will generally solve any performance problems<br>Fuel blended with alcohol or ether may contribute to performance problems by causing gum and varnish deposits, especially if fuel is stored for several weeks or more. Obtain fresh fuel. |
| Engine Will Not Start - No Crank | Park brake not locked.<br>Motion control levers not in outward position.<br>Mower is engaged.<br>Defective brake, mower engagement, or key switch.<br>Electrical problem - See Electrical Troubleshooting Section  |
| Engine Cranks But Will Not Start | Spark plug wire is loose or disconnected.<br>Improper fuel.<br>Plugged fuel filter.<br>Electrical problem - See Electrical Troubleshooting Section   |
| Engine Is Hard To Start          | Carburetor is not adjusted properly or dirty.<br>Choke not fully closing.<br>Plugged fuel filter.<br>Faulty spark plug.<br>Stale or improper fuel.<br>Loose or corroded electrical connections.<br>Engine oil viscosity.   |
| Engine Runs Unevenly             | Cooling fins plugged.<br>Loose electrical connections.<br>Choke or throttle cable sticking.<br>Choke not fully open.<br>Fuel line or fuel filter plugged.<br>Stale or dirty fuel.<br>Improper fuel.<br>Air cleaner element plugged.  |
| Engine Misses Under Load         | Faulty spark plug.<br>Stale or dirty fuel.<br>Plugged fuel filter.   |

| IF   | CHECK  |
|--|--|
| Engine Vapor Locks                                 | Fuel tank vent plugged.<br>Dirt in fuel filter.<br>Cooling fins plugged.<br>Loose hose connection at fuel filter or fuel pump.                           |
| Engine Overheats                                   | Engine air intake screen plugged.<br>Cooling fins plugged.<br>Engine oil low or too high.<br>Engine operated too long at a slow idle speed.              |
| Engine Will Not Idle                               | Spark plug not gapped correctly.<br>Faulty spark plug.<br>Operator raising off the seat.   |
| Engine Knocks                                      | Stale or low octane fuel.<br>Engine overloaded.<br>Low engine speed.<br>Oil level low.   |
| Engine Stops Or Misses When Operating On Hillsides | Fuel tank less than half full of fuel.<br>Operator raising off of the seat.  |
| Engine Backfires                                   | Faulty spark plug.<br>Operator raising off of the seat.  |
| Engine Loses Power                                 | Engine overheating.<br>Too much oil in engine.<br>Dirty air cleaner.<br>Faulty spark plug.<br>Travel speed is too fast for conditions.<br>Improper fuel. |
| Excessive Fuel Consumption                         | Choke is not fully open.   |
| Black Exhaust Smoke                                | Air filter is dirty or oil soaked.   |

## Electrical

| IF  | CHECK  |
|---|--|
| Starter Does Not Work Or Will Not Turn Engine | Park brake not locked.<br>Mower is engaged.<br>Battery terminals are corroded.<br>Battery not charged.<br>Motion control levers not in Start/Shutdown position.<br>Blown fuse.<br>Defective key switch |
| Battery Will Not Charge                       | Dead cell in the battery.<br>Blown charging fuse.<br>Battery cables and terminals are dirty.<br>Low engine speed or excessive idling.  |
| Lights Do Not Work                            | Light plug disconnected.<br>Loose or burned out bulb.<br>Blown headlight fuse.   |

## Machine

| IF   | CHECK   |
|--|---|
| Machine Vibrates Too Much Or Rattles Excessively                     | Attachment drive belts worn or damaged.<br>Mower blades not balanced.<br>Traction drive belt damaged or worn.<br>Dirt on drive sheaves. |
| Machine Will Not Move With Engine Running                            | Transmission hydraulic oil level low.<br>Transmission belt broke.<br>Bypass valve levers are engaged.                                   |
| Machine Moves With Engine Running And Hydrostatic Control In Neutral | Linkage out of adjustment.<br>Transmission neutral out of adjustment.   |
| Mower Lift Will Not Latch in Transport                               | Deck is adjusted too high.  |

# Storage

| IF                                     | CHECK   |
|--|---|
| Front of machine squeaks while driving | Lubricate mower front draft rod at front and rear pivot points. |

## Mower

| IF  | CHECK  |
|---|--|
| Discharge Chute Plugged                                   | Travel speed too fast.<br>Grass too long.<br>Grass too wet.<br>Engine rpm not at mow position.<br>Restricted air flow.<br>Belt installed incorrectly.<br>Adjust cutting height to remove only 1/3 of grass at a time.        |
| Patches Of Grass Uncut                                    | Travel speed too fast.<br>Engine rpm not at mow position.<br>Mower deck needs cleaning.  |
| Belt Slipping   | Debris in sheaves.<br>Worn belt.<br>Belt tension is incorrect.   |
| Too Much Vibration  | Debris on mower deck or in sheaves.<br>Damaged drive belt.<br>Damaged sheaves or sheaves out of alignment.<br>Blades out of balance.   |
| Front Tires Vibrate                                       | Set front tire pressure to 10 psi. If vibration continues, reduce tire pressure by 1 psi until vibration stops. Do not reduce tire pressure below 6 psi.   |
| Blades Scalping Grass                                     | Cutting too low.<br>Mower wheels not adjusted correctly.<br>Turning speed too fast.<br>Ridges in terrain.<br>Rough or uneven terrain.<br>Low tire pressure.  |
| Mower Loads Down Tractor                                  | Engine rpm too low.<br>Travel speed too fast.<br>Debris wrapped around mower spindles.<br>Adjust cutting height to remove only 1/3 of grass at a time.   |
| Uneven Cut  | Mower deck not leveled properly.<br>Travel speed too fast.<br>Blades dull.<br>Mower wheels not adjusted correctly.<br>Tire pressure unequal.<br>Adjust cutting height to remove only 1/3 of grass at a time.                 |
| Excessive Clippings are Expelled from Front of Mower Deck | Conditions may be too dry or terrain too uneven to provide good seal between front of deck and grass. Visit <a href="http://JDParts.deere.com">http://JDParts.deere.com</a> or contact dealer to purchase dry condition kit. |

## Storage

### Storing Safety



**CAUTION: Avoid injury! Fuel vapors are explosive and flammable.**

**Engine exhaust fumes contain carbon monoxide and cause serious illness or death:**

- Run the engine only long enough to move the machine to or from storage.
- If a machine is stored before allowing it to cool, machine fires and structure fires can occur. Fires can occur if debris is not removed from around the engine and muffler, or if stored near combustible materials.
- Do not store vehicle with fuel in the tank inside a building where fumes reach an open flame or spark.
- Allow the engine to cool before storing the machine in any enclosure.

### Preparing Machine for Storage

1. Repair any worn or damaged parts. Replace parts if necessary. Tighten loose hardware.
2. To prevent rust, repair scratched or chipped metal surfaces.
3. Remove grass and debris from machine.
4. Clean under the deck and remove grass and debris from inside chute and bagger, if applicable.
5. Wash the machine and apply wax to metal and plastic surfaces.
6. To dry belts and pulleys, run machine for five minutes.
7. To prevent rust, apply light coat of engine oil on pivot and wear points.
8. Lubricate grease points and check tire pressure.

### Preparing Fuel and Engine For Storage

#### Fuel:

If you have been using "Stabilized Fuel," add stabilized fuel to tank until the tank is full.

*NOTE: Filling the fuel tank reduces the amount of air in the fuel tank and helps reduce deterioration of fuel.*

If you are not using "Stabilized Fuel:"

1. Park machine safely in a well-ventilated area. (See Parking Safely in the SAFETY section.)

*NOTE: Try to anticipate the last time the machine will be used for the season so very little fuel is left in the fuel tank.*

2. Turn on engine and allow to run until it runs out of fuel.
3. For machines equipped with key switch, turn key to off position.

**IMPORTANT: Avoid damage! Stale fuel can produce varnish and plug carburetor or injector components and affect engine performance.**

- Add fuel conditioner or stabilizer to fresh fuel before filling tank.
4. Mix fresh fuel and fuel stabilizer in separate container. Follow stabilizer instructions for mixing.
  5. Fill fuel tank with stabilized fuel.
  6. Run engine for a few minutes to allow fuel mixture to circulate through carburetor on gas engine or fuel injectors on diesel engine.

# Specifications

## Engine:

Engine storage procedure should be used when vehicle is not to be used for longer than 60 days.

1. Change engine oil and filter while engine is warm.
2. Service air filter if necessary.
3. Clean debris from engine air intake screen.
4. On gas engines:
  - Remove spark plugs. Put 30 mL (1 oz.) of clean engine oil in cylinders.
  - Install spark plugs, but do not connect spark plug wires.
  - Crank the engine 5 or 6 times to allow oil to be distributed.
5. Clean the engine and engine compartment.
6. Remove battery.
7. Clean the battery and battery posts. Check the electrolyte level, if your battery is not maintenance free.
8. Close fuel shutoff valve, if your machine is equipped.
9. Store the battery in a cool, dry place where it will not freeze.

*NOTE: The stored battery should be recharged every 90 days.*

10. Charge the battery.

**IMPORTANT: Avoid damage! Prolonged exposure to sunlight could damage surfaces. Store machine inside or use a cover if stored outside.**

11. Store the vehicle in a dry, protected place. If vehicle is stored outside, put a waterproof cover over it.

## Removing Machine From Storage

1. Check tire pressure.
2. Check engine oil level.
3. Check battery electrolyte level, if your battery is not maintenance free. Charge battery if necessary.
4. Install battery.
5. On gas engines: Check spark plug gap. Install and tighten plugs to specified torque.
6. Lubricate all grease points.
7. Open fuel shut-off valve, if your machine is equipped.
8. Run the engine 5 minutes without the mower or any attachments running to allow oil to be distributed throughout engine.
9. Be sure all shields and guards or deflectors are in place.

|                        |                                    |
|------------------------|------------------------------------|
| Valve Clearance (Cold) | 0.10 - 0.15 mm (0.004 - 0.006 in.) |
| Spark Plug Gap         | 0.76 mm (0.030 in.)                |
| Spark Plug Torque      | 20 N•m (180 lb-in.)                |

### Z535M, Z535R

|                          |   |
|--------------------------|---|
| Make                     | Briggs & Stratton   |
| Model Number             | 44 Cyclonic   |
| Power Rating Information | <a href="http://www.briggsandstratton.com/">http://www.briggsandstratton.com/</a> |
| Bore                     | 79.25 mm (3.12 in.)   |
| Stroke                   | 73.40 mm (2.890 in.)  |
| Displacement             | 724 cm <sup>3</sup> (44.18 cu in.)  |
| Cylinders                | V-Twin  |
| Cycle                    | Four  |
| Valve Clearance (Cold)   | 0.10 - 0.15 mm (0.004 - 0.006 in.)  |
| Spark Plug Gap           | 0.76 mm (0.030 in.)   |
| Spark Plug Torque        | 20 N•m (180 lb-in.)   |

### Z540M, Z540R

|                          |   |
|--------------------------|---|
| Make                     | Kawasaki  |
| Model Number             | FS730V  |
| Power Rating Information | <a href="http://www.kawasaki-criticalpower.com/">http://www.kawasaki-criticalpower.com/</a> |
| Bore                     | 78 mm (3.070 in.)   |
| Stroke                   | 76 mm (2.992 in.)   |
| Displacement             | 726 cm <sup>3</sup> (44.3 cu in.)   |
| Cylinders                | V-Twin  |
| Cycle                    | Four  |
| Valve Clearance (Cold)   | 0.075 - 0.125 mm (0.002 - 0.005 in.)  |
| Spark Plug Gap           | 0.75 mm (0.029 in.)   |
| Spark Plug Torque        | 20 N•m (180 lb-in.)   |

## Drivetrain

|  |                             |
|--|-----------------------------|
| Transaxle Motors (Z525E, Z535M, Z540M) | Tuff Torq TZT7 D            |
| Transaxle Motors (Z535R, Z540R)        | Tuff Torq TZT7 M            |
| Number of Speeds                       | Hydrostatic, Variable Speed |

## Travel Speeds at Full Engine RPM

### Z525E, Z535M, Z540M (22 in. Tires)

|         |                         |
|---------|-------------------------|
| Forward | 0-13.7 km/h (0-8.5 mph) |
| Reverse | 0-6.4 km/h (0-4.0 mph)  |

### Z535R, Z540R (23 in. Tires)

|         |                         |
|---------|-------------------------|
| Forward | 0-14.5 km/h (0-9.0 mph) |
| Reverse | 0-7.25 km/h (0-4.5 mph) |

## Electrical System

|                        |          |
|------------------------|----------|
| Battery Type           | 12 Volt  |
| Cold Cranking Capacity | 300 Amps |

## Specifications

### Engine

#### Z525E

|                          |   |
|--------------------------|---|
| Make                     | Briggs & Stratton   |
| Model Number             | 44 ELS  |
| Power Rating Information | <a href="http://www.briggsandstratton.com/">http://www.briggsandstratton.com/</a> |
| Bore                     | 79.25 mm (3.12 in.)   |
| Stroke                   | 73.40 mm (2.890 in.)  |
| Displacement             | 724 cm <sup>3</sup> (44.18 cu in.)  |
| Cylinders                | V-Twin  |
| Cycle                    | Four  |

# Specifications

## Fuel System

Fuel Types (Recommended):

|                     |                                       |
|---------------------|---------------------------------------|
| .....               | Regular Grade 87 Octane Unleaded Fuel |
| .....               | Ethanol Blended Fuel (Up to 10%)      |
| Fuel Filter .....   | Replaceable - paper element           |
| Fuel Pump .....     | Pulse                                 |
| Fuel Delivery ..... | Carburetor                            |

## Tires

|                                   |                    |
|-----------------------------------|--------------------|
| Front (Z525E, Z535M, Z540M) ..... | 13x5.00-6 (Ribbed) |
| Front (Z535R, Z540R) .....        | 13x6.50-6 (Ribbed) |
| Rear (Z525E, Z535M, Z540M) .....  | 22x9.5-10 (Turf)   |
| Rear (Z535R, Z540R) .....         | 23x10.5-12 (Turf)  |
| Inflation - Front .....           | .69 kPa (10 psi)   |
| Inflation - Rear .....            | .69 kPa (10 psi)   |

## Capacities

Crankcase with oil filter:

|             |                |
|-------------|----------------|
| Z525E ..... | 1.9 L (2.0 qt) |
| Z535M ..... | 1.9 L (2.0 qt) |
| Z535R ..... | 1.9 L (2.0 qt) |
| Z540M ..... | 2.1 L (2.2 qt) |
| Z540R ..... | 2.1 L (2.2 qt) |

Fuel Tank

|                  |                |
|------------------|----------------|
| All models ..... | 17 L (4.5 gal) |
|------------------|----------------|

## Dimensions

### Z525E

|                              |                    |
|------------------------------|--------------------|
| Height .....                 | 980 mm (38.6 in.)  |
| Width (48A Deck) .....       | 1587 mm (70.4 in.) |
| Width (54A Deck) .....       | 1737 mm (68.4 in.) |
| Length .....                 | 1955 mm (77 in.)   |
| Weight (with 48A Deck) ..... | 279 kg (615 lb)    |
| Weight (with 54A Deck) ..... | 286.2 kg (631 lb)  |

### Z535M

|                              |                    |
|------------------------------|--------------------|
| Height .....                 | 1045 mm (41.1 in.) |
| Width (with 48A Deck) .....  | 1587 mm (70.4 in.) |
| Width (with 54A Deck) .....  | 1737 mm (68.4 in.) |
| Length .....                 | 1955 mm (77 in.)   |
| Weight (with 48A Deck) ..... | 279 kg (615 lb)    |
| Weight (with 54A Deck) ..... | 286.2 kg (631 lb)  |

### Z535R

|                              |                    |
|------------------------------|--------------------|
| Height .....                 | 1164 mm (45.8 in.) |
| Width (with 54HC Deck) ..... | 1734 mm (68.3 in.) |
| Length .....                 | 1955 mm (77 in.)   |
| Weight .....                 | 322.1 kg (710 lb)  |

### Z540M

|                              |                    |
|------------------------------|--------------------|
| Height .....                 | 1045 mm (41.1 in.) |
| Width (with 48A Deck) .....  | 1587 mm (62.5 in.) |
| Width (with 54A Deck) .....  | 1737 mm (68.4 in.) |
| Width (with 62C Deck) .....  | 1920 mm (75.6 in.) |
| Length .....                 | 1955 mm (77 in.)   |
| Weight (with 48A Deck) ..... | 289.4 kg (638 lb)  |
| Weight (with 54A Deck) ..... | 296.6 kg (654 lb)  |
| Weight (with 62C Deck) ..... | 311.7 kg (687 lb)  |

### Z540R

|                               |                    |
|-------------------------------|--------------------|
| Height .....                  | 1164 mm (45.8 in.) |
| Width (with 48HC Deck) .....  | 1586 mm (62.4 in.) |
| Width (with 54HC Deck) .....  | 1734 mm (68.3 in.) |
| Width (with 60HC Deck) .....  | 1868 mm (73.5 in.) |
| Length .....                  | 1955 mm (77 in.)   |
| Weight (with 48HC Deck) ..... | 316.2 kg (697 lb)  |
| Weight (with 54HC Deck) ..... | 325.2 kg (717 lb)  |
| Weight (with 60HC Deck) ..... | 334.7 kg (738 lb)  |

## Mower Decks

### 48A Mower (Z525E, Z535M, Z540M)

|                                      |                         |
|--------------------------------------|-------------------------|
| Cutting Width .....                  | 1.22 m (48 in.)         |
| Blades-Rotary .....                  | 3                       |
| Blade Bolt Torque .....              | .68 N·m (50 lb-ft)      |
| Cutting Height (Approximately) ..... | 25 - 102 mm (1 - 4 in.) |

### 54A Mower (Z525E, Z535M, Z540M)

|                                      |                         |
|--------------------------------------|-------------------------|
| Cutting Width .....                  | 1.37 m (54 in.)         |
| Blades-Rotary .....                  | 3                       |
| Blade Bolt Torque .....              | .68 N·m (50 lb-ft)      |
| Cutting Height (Approximately) ..... | 25 - 102 mm (1 - 4 in.) |

### 48HC High Capacity Mower (Z540R)

|                                      |                         |
|--------------------------------------|-------------------------|
| Cutting Width .....                  | 1.22 m (48 in.)         |
| Blades-Rotary .....                  | 3                       |
| Blade Bolt Torque .....              | .68 N·m (50 lb-ft)      |
| Cutting Height (Approximately) ..... | 25 - 102 mm (1 - 4 in.) |

### 54HC High Capacity Mower (Z535R, Z540R)

|                                      |                         |
|--------------------------------------|-------------------------|
| Cutting Width .....                  | 1.37 m (54 in.)         |
| Blades-Rotary .....                  | 3                       |
| Blade Bolt Torque .....              | .68 N·m (50 lb-ft)      |
| Cutting Height (Approximately) ..... | 25 - 102 mm (1 - 4 in.) |

### 60HC High Capacity Mower (Z540R)

|                                      |                         |
|--------------------------------------|-------------------------|
| Cutting Width .....                  | 1.52 m (60 in.)         |
| Blades-Rotary .....                  | 3                       |
| Blade Bolt Torque .....              | .68 N·m (50 lb-ft)      |
| Cutting Height (Approximately) ..... | 25 - 102 mm (1 - 4 in.) |

### 62C Mower (Z540M)

|                     |                 |
|---------------------|-----------------|
| Cutting Width ..... | 1.57 m (62 in.) |
| Blades-Rotary ..... | 3               |

# Warranty

|                                      |                         |
|--------------------------------------|-------------------------|
| Blade Bolt Torque .....              | .68 N·m (50 lb-ft)      |
| Cutting Height (Approximately) ..... | 25 - 102 mm (1 - 4 in.) |

## Recommended Lubricants

|                  |  |
|------------------|--|
| Engine Oil ..... | TURF-GARD® OR PLUS-4®                              |
| <b>Grease</b>    |  |
| .....            | GREASE-GARD™ Premium Plus                          |
| .....            | John Deere Multi-Purpose HD Lithium Complex Grease |

(Specifications and design subject to change without notice.)

## Warranty

### Product Warranty

John Deere offers a standard warranty on new John Deere products. For a copy of the product warranty statement or for details on the warranty terms and conditions for products purchased in the United States and Canada, please contact your local John Deere Dealer or utilize the following resources:

#### United States

##### Website:

[http://www.deere.com/en\\_US/services\\_and\\_support/warranty/warranty.page](http://www.deere.com/en_US/services_and_support/warranty/warranty.page)

**Toll Free:** 1-800-537-8233

##### Dealer Locator:

<http://dealerlocator.deere.com/servlet/country=US>

#### Canada

##### Website (English):

[http://www.deere.ca/en\\_CA/services\\_and\\_support/service\\_plans\\_warranties/service\\_plans\\_warranties.page](http://www.deere.ca/en_CA/services_and_support/service_plans_warranties/service_plans_warranties.page)

##### Website (French):

[http://fr.deere.ca/en\\_CA/services\\_and\\_support/service\\_plans\\_warranties/service\\_plans\\_warranties.page](http://fr.deere.ca/en_CA/services_and_support/service_plans_warranties/service_plans_warranties.page)

**Toll Free:** 1-800-537-8233

##### Dealer Locator:

<http://dealerlocator.deere.com/servlet/country=CA>

**Emission-related warranties are included in this Operator's Manual, and applicable if required by law or regulation.**

For products purchased in a country other than the United States or Canada, please contact your local John Deere dealer for assistance.

## California and U.S. EPA Emissions Control System Warranty Statement (Off-Road Gas Engines)

### Your Warranty Rights and Obligations

The California Air Resources Board, John Deere, and the United States Environmental Protection Agency are pleased to explain the emissions control system's warranty on your model year 2016 or 2017 spark ignited off-road engine equipment. In California, new equipment that uses small or large (less than 1 liter) spark ignited off-road engines must be designed, built and equipped to meet the State's stringent anti-

smog standards. John Deere must warrant the emissions control system on your spark ignited off-road engine equipment for the period listed below provided there has been no abuse, neglect or improper maintenance of your equipment.

Your emissions control system may include parts such as: carburetors or fuel-injection system, ignition system, catalytic converters, fuel tanks, valves, filters, clamps, connectors, and other associated components. Also included may be hoses, belts, sensors and other emission-related assemblies.

Where a warrantable condition exists, John Deere will repair your spark ignited off-road engine equipment at no cost to you including diagnosis, parts and labor.

### Manufacturer's Warranty Coverage

This emissions control system is warranted for two years for models Z335E, Z355E, Z525E, D105, D110, D125, D130, D140, D155, D160, D170 and three years for all other models referenced in this operator's manual. If any emissions related part on your equipment is defective, the part will be repaired or replaced by John Deere.

### Owner's Warranty Responsibilities

- As the spark ignited off-road engine equipment owner, you are responsible for the performance of the required maintenance listed in your Operator's Manual. John Deere recommends that you retain all receipts covering maintenance on your spark ignited off-road engine equipment, but John Deere cannot deny warranty solely for lack of receipts or for your failure to ensure the performance of all scheduled maintenance.
- As the spark ignited off-road engine equipment owner, you should however be aware that John Deere may deny you warranty coverage if your spark ignited off-road engine equipment or a part has failed due to abuse, neglect, or improper maintenance or unapproved modifications.
- You are responsible for presenting your spark ignited off-road engine equipment to a John Deere Turf and Utility distribution center or service center as soon as a problem exists. The warranty repairs should be completed in a reasonable amount of time, not to exceed 30 days. If you have a question about your emissions warranty coverage, how to make an emissions warranty claim or how to make arrangements for emissions-related authorized repairs, you should contact your John Deere Turf and Utility retailer, or the John Deere Customer Contact Center at 1-800-537-8233, or email John Deere from [https://groundscare.custhelp.com/app/utills/login\\_form/redirect/ask](https://groundscare.custhelp.com/app/utills/login_form/redirect/ask).

### General Emissions Warranty Coverage

The warranty period begins on the date the equipment is delivered to an ultimate purchaser. John Deere warrants to the ultimate purchaser and each subsequent purchaser that the spark ignited off-road engine equipment is:

- Designed, built and equipped so as to conform to all applicable regulations adopted by the California Air Resources Board;
- Designed, built and equipped so as to conform at the time of sale with applicable U.S. Environmental Protection Agency regulations under 40 CFR Parts 1054 and 1060; and,
- Free from defects in materials and workmanship which cause such engine to fail to conform with applicable regulations for the Emissions Control System Warranty period provided herein.
- For owners located more than 100 miles from a John Deere authorized service center, John Deere will pay either for shipping costs to and from an authorized service center, provide for a service technician to come to the owner to make the warranty repair, or pay for the repair to be made at a local non-authorized service center. These provisions do not apply to Alaska, Hawaii, Arizona, Colorado, Idaho, Montana, Nebraska, Nevada, New Mexico, Oregon, Texas, Utah, and Wyoming.

### Emissions Warranty Interpretation

- Any warranted part that is not scheduled for replacement as required by the maintenance instructions in the Operator's Manual is

# Warranty

warranted as provided herein. If any such part fails during the period of warranty coverage it will be repaired or replaced by John Deere. Any such part repaired or replaced under warranty is warranted for the remaining warranty period.

- Any warranted part that is scheduled only for regular inspection in the maintenance instructions in the Operator's Manual is warranted as provided herein. A statement in the Operator's Manual to the effect of "repair or replace as necessary" does not reduce the period of warranty coverage. Any such part repaired or replaced under warranty is warranted for the remaining warranty period.
- Any warranted part that is scheduled for replacement as required maintenance in the Operator's Manual is warranted for the period of time prior to the first scheduled replacement point for that part. If the part fails prior to the first scheduled replacement, the part will be repaired or replaced by John Deere. Any such part repaired or replaced under warranty is warranted for the remainder of the period prior to the first scheduled replacement point for the part.
- Repair or replacement of any warranted part under the warranty will be performed at no charge to the owner at any authorized John Deere Turf and Utility retailer.
- The owner will not be charged for diagnostic labor which leads to the determination that a warranted part is defective, provided such work is performed by John Deere.
- John Deere will repair damages to other engine components proximately caused by a failure under warranty of any emissions-related warranted part.
- Add-on or modified parts that are not exempted by the California Air Resources Board may not be used. The use of any non-exempted add-on or modified parts will be grounds for disallowing a warranty claim. John Deere will not be liable to warrant failures of warranted parts caused by the use of a non-exempted add-on or modified part.

## Emission Warranty Parts List

Coverage under this warranty includes, but is not limited to, the parts listed below (the emissions control system parts) to the extent these parts were on the engine and equipment purchased.

### Fuel Metering System:

- Carburetor and internal parts (or fuel injection system)
- Air/fuel ratio feedback and control system
- Cold start enrichment system

### Evaporative System:

- Fuel tank, fuel cap and tether
- Fuel hose, line, fittings, clamps
- Fuel pump, fuel shut-off valve
- Fuel vapor hoses, fittings
- Carbon canister
- Rollover/slant valve for fuel vapor control
- Purge and vent line

### Air Induction System:

- Air cleaner
- Intake manifold

### Ignition System:

- Spark plugs
- Magneto or electronic ignition system
- Spark advance/retard system

### Exhaust System:

- Exhaust manifold
- Catalyst muffler

### Miscellaneous Items Used in Above Systems

- Valves and Switches: vacuum, temperature, position, check, time-sensitive

- Electronic controls
- Hoses, belts, connectors and assemblies

## Limited Liability

a) The liability of John Deere under this Emissions Control System Warranty is limited solely to the remedying of defects in materials or workmanship. Except as otherwise expressly provided herein, this warranty does not cover inconvenience or loss of use of the non-road equipment or engine or transportation of the equipment or engine to or from the John Deere Turf and Utility retailer. John Deere shall not be liable for any other expense, loss, or damage, whether direct, incidental, consequential (except as listed above under "coverage") or exemplary arising in connection with the sale or use of or inability to use the non-road equipment or engine for any other purpose.

b) No express emissions control system warranty is given by John Deere with respect to the equipment or engine except as specifically set forth in this document. Any emissions control system warranty implied by law, including any warranty of merchantability or fitness for a particular purpose, is expressly limited to the emissions control system warranty terms set forth in this document.

c) No dealer is authorized to modify this Federal, California and John Deere Emissions Control System Warranty.

## Tire Warranty

John Deere warranty applies for tires available through the John Deere parts system. For tires not available through the John Deere parts system, the tire manufacturer's warranty applicable to your machine may not apply outside the U.S. (See your John Deere dealer for specific information.)

## Limited Battery Warranty For Factory Installed Batteries

*NOTE: Applicable in North America only. For complete machine warranty, reference a copy of the John Deere warranty statement. Contact your John Deere dealer to obtain a copy.*

### TO SECURE WARRANTY SERVICE

The purchaser must request warranty service from a John Deere dealer authorized to sell John Deere batteries, and present the battery to the dealer with the top cover plate codes intact.

### FREE REPLACEMENT PERIOD

Any new battery which becomes unserviceable (not merely discharged) due to defects in material or workmanship within the FREE REPLACEMENT PERIOD will be replaced free of charge. Installation costs will be covered by warranty if the unserviceable battery was installed by a John Deere factory or dealer and the replacement battery is installed by a John Deere dealer.

### PRO RATA ADJUSTMENT (batteries with letter code identification only)

Any new battery which becomes unserviceable (not merely discharged) due to defects in material or workmanship within the Pro Rata Warranty Period will be replaced upon payment of the battery's current list price less a pro rata credit for unused months of service. The applicable adjustment period is determined from the Warranty Code printed at the top of the battery and table below. Installation costs are not covered after the battery warranty period has ended.

### THIS WARRANTY DOES NOT COVER

- A. Breakage of the container, cover, or terminals.
- B. Depreciation or damage caused by lack of reasonable and necessary maintenance or by improper maintenance.
- C. Transportation, mailing, or service call charges for warranty service.
- D. Batteries that are merely discharged.



# Getting Quality Service

## LIMITATION OF IMPLIED WARRANTIES AND PURCHASER'S REMEDIES

To the extent permitted by law, neither John Deere nor any company affiliated with it makes any warranties, representations, or promises as to the quality, performance or freedom from defect of the products covered by this warranty. IMPLIED WARRANTIES OF MERCHANTABILITY AND FITNESS FOR A PARTICULAR PURPOSE, TO THE EXTENT APPLICABLE, SHALL BE LIMITED IN DURATION TO THE APPLICABLE ADJUSTMENT PERIOD SET FORTH HERE. THE PURCHASER'S ONLY REMEDIES IN CONNECTION WITH THE BREACH OR PERFORMANCE OF ANY WARRANTY ON JOHN DEERE BATTERIES ARE THOSE SET FORTH HERE. IN NO EVENT WILL THE DEALER, JOHN DEERE OR ANY COMPANY AFFILIATED WITH JOHN DEERE BE LIABLE FOR INCIDENTAL OR CONSEQUENTIAL DAMAGES. (Note: Some states do not allow limitations on how long an implied warranty lasts or the exclusion or limitation of incidental or consequential damages. So these limitations and exclusions may not apply to you.) This warranty gives you specific legal rights, and you may also have some rights which vary from state to state.

## NO DEALER WARRANTY

The selling dealer makes no warranty of its own and the dealer has no authority to make any representation or promise on behalf of John Deere, or to modify the terms or limitations of this warranty in any way.

## WARRANTY TERMS TABLE

*NOTE: If your battery is not labeled with a warranty code, it is a warranty code 6.*

| Warranty Code | Free Replacement Period | Pro Rata Warranty Period |
|---------------|-------------------------|--------------------------|
| A             | 90 Days                 | 40 Months                |
| B             | 90 Days                 | 36 Months                |
| C             | 90 Days                 | 24 Months                |
| D             | 12 Months               | 48 Months                |
| E             | 90 Days                 | 12 Months                |
| F             | 90 Days                 | 60 Months                |
| G             | 12 Months               | 60 Months                |
| H             | 12 Months               | 60 Months                |
| 6             | 6 Months                | 0 Months                 |
| 12            | 12 Months               | 0 Months                 |
| 18            | 18 Months               | 0 Months                 |

The RSX850i original equipment battery will carry a 100% Full Replacement for the duration of the complete machine warranty.

When you order parts, your John Deere dealer needs the serial number or product identification number (PIN) for your machine or attachment. These are the numbers that you recorded in the Product Identification section of this manual.

## Order Service Parts Online

Visit <http://JDParts.deere.com> for your Internet connection to parts ordering and information.

## John Deere Quality Continues with Quality Service

John Deere provides a process to handle your questions or problems, should they arise, to ensure that product quality continues with your John Deere dealer's parts and service support.

Follow the steps below to get answers to any questions you may have about your product.

1. Refer to the appropriate attachment, machine or equipment operator manuals.
2. Contact your John Deere dealer with unanswered questions.
3. In North America or Canada, call the John Deere Customer Contact Center.
  - Call 1-800-537-8233 and provide product serial number and model number.

---

## Getting Quality Service

### Service Literature

If you would like a copy of the Parts Catalog or Technical Manual for this machine call:

- **U.S. & Canada:** 1-800-522-7448.
- **All Other Regions:** Your John Deere dealer.

### Parts

We recommend John Deere quality parts and lubricants, available at your John Deere dealer.

Part numbers may change, use part numbers listed below when you order. If a number changes, your dealer will have the latest number.

# Service Record

## Service Record

### Record Service Dates

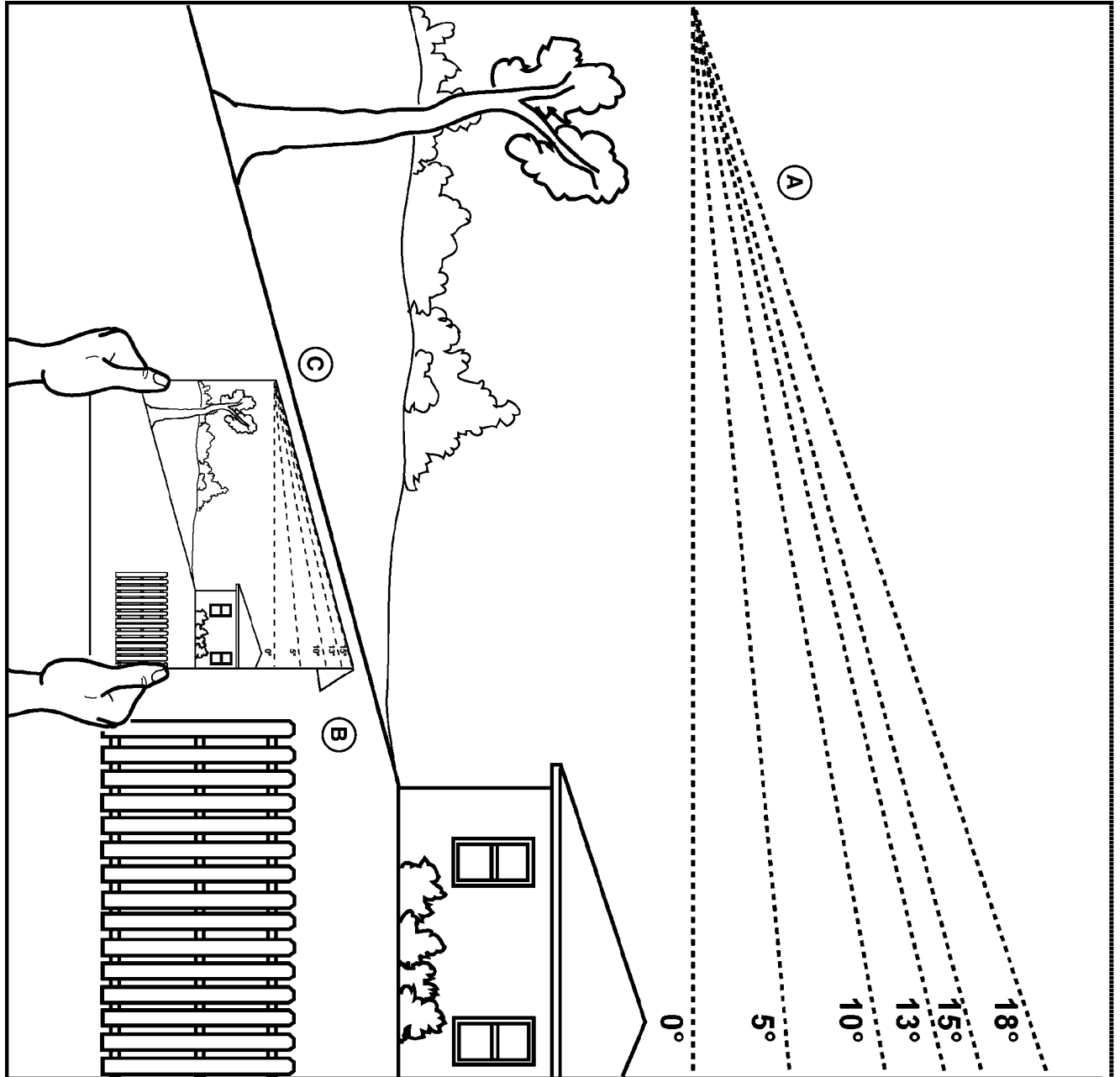
| Oil Change | Oil Filter Change (If Equipped) | Lubricate Machine | Air Cleaner Element Check/Clean | Fuel Filter Change |
|------------|---------------------------------|-------------------|---------------------------------|--------------------|
|            |                                 |                   |                                 |                    |
|            |                                 |                   |                                 |                    |
|            |                                 |                   |                                 |                    |
|            |                                 |                   |                                 |                    |
|            |                                 |                   |                                 |                    |
|            |                                 |                   |                                 |                    |
|            |                                 |                   |                                 |                    |
|            |                                 |                   |                                 |                    |
|            |                                 |                   |                                 |                    |
|            |                                 |                   |                                 |                    |
|            |                                 |                   |                                 |                    |
|            |                                 |                   |                                 |                    |
|            |                                 |                   |                                 |                    |
|            |                                 |                   |                                 |                    |
|            |                                 |                   |                                 |                    |
|            |                                 |                   |                                 |                    |
|            |                                 |                   |                                 |                    |
|            |                                 |                   |                                 |                    |
|            |                                 |                   |                                 |                    |
|            |                                 |                   |                                 |                    |

# Slope Gauge

## Slope Gauge

## Slope Gauge Template

Hold up or copy this page and follow the directions below to use the Slope Gauge Template.



MXT013189—UN—22APR15

Use this slope gauge to determine if a slope is too steep for safe operation. Do not operate your machine on a slope greater than what is recommended in your Operator's Manual. See Operating on Slopes in the Safety Section.

- Fold along the appropriate line (A) to match the recommended slope.
- Align this edge (B) with a vertical surface, a tree, building, fence pole, etc.
- Compare slope (C) with folded edge.

# Index

|  |     |
|--|-----|
| <b>A</b>   |     |
| Adjustment, Altitude . . . . .   | .30 |
| Air Cleaner Elements, Checking and Cleaning . . . . .                                      | .35 |
| Armrests, Adjusting (If Equipped) . . . . .  | .19 |
| <b>B</b>   |     |
| Battery and Terminals, Cleaning . . . . .  | .46 |
| Battery, Charge and Connect at Assembly . . . . .  | .15 |
| Battery, Removing and Installing . . . . .   | .46 |
| Battery, Service Safely . . . . .  | .46 |
| Battery, Using Booster . . . . .   | .47 |
| Blades, Checking Mower . . . . .   | .45 |
| Blades, Servicing Mower . . . . .  | .45 |
| <b>E</b>   |     |
| Electrical Troubleshooting . . . . .   | .51 |
| Engine Shroud, Cleaning . . . . .  | .33 |
| Engine, Starting . . . . .   | .25 |
| Engine, Stopping . . . . .   | .26 |
| Engine Troubleshooting . . . . .   | .51 |
| <b>F</b>   |     |
| Filter, Changing Engine Oil . . . . .  | .31 |
| Filter, Changing Transaxle Oil . . . . .   | .39 |
| Filter, Replacing Fuel . . . . .   | .37 |
| Foot Plate, Removing and Installing Mower Deck . . . . .                                   | .41 |
| Fuel and Stabilizer, Using Proper . . . . .  | .47 |
| Fuel Safety . . . . .  | .14 |
| Fuel Storage . . . . .   | .52 |
| Fuel Tank, Filling . . . . .   | .48 |
| Fuse, Replacing . . . . .  | .47 |
| <b>G</b>   |     |
| Grease . . . . .   | .29 |
| Guard, Cleaning Engine Screen . . . . .  | .32 |
| <b>H</b>   |     |
| Hour Meter, Using . . . . .  | .23 |
| <b>I</b>   |     |
| Identification Numbers, Record . . . . .   | .3  |
| <b>L</b>   |     |
| Labels, Locating Safety . . . . .  | .4  |
| Labels, safety no-text . . . . .   | .7  |
| Labels, safety text . . . . .  | .4  |
| Levers, Using the Motion Control . . . . .   | .23 |
| Lift Arm, Lubricating Mower . . . . .  | .29 |
| Lifting Machine . . . . .  | .48 |
| <b>M</b>   |     |
| Machine, Mounting and Dismounting . . . . .  | .19 |
| Machine Troubleshooting . . . . .  | .51 |
| Material Collection System, Unplugging . . . . .   | .26 |
| Metal Surfaces, Repairing and Cleaning . . . . .   | .50 |
| Motion Control Levers, Adjusting . . . . .   | .19 |
| Moving Machine by Hand . . . . .   | .26 |
| Mower, Adjusting Cutting Height . . . . .  | .20 |
| Mower, Adjusting Level . . . . .   | .20 |
| Mower Deck, Cleaning . . . . .   | .27 |
| Mower Deck Identification . . . . .  | .41 |
| Mower Deck Spindles, Lubricating . . . . .   | .29 |
| Mower Drive Belt, Replacing (Z500 Series 48A, 48HC,<br>54A, 54HC, 60HC, and 62C) . . . . . | .44 |
| Mower, Engaging . . . . .  | .26 |
| Mower, Installing Deck (48A, 48HC, 54A, 54HC, 60HC<br>and 62C) . . . . .                   | .43 |
| Mower, Removing Deck (48A, 48HC, 54A, 54HC,<br>60HC and 62C) . . . . .                     | .41 |
| Mower Troubleshooting . . . . .  | .52 |
| Mowing Tips . . . . .  | .28 |

|   |     |
|---|-----|
| <b>N</b>  |     |
| Neutral Creep, Checking and Adjusting . . . . .         | .39 |
| <b>O</b>  |     |
| Oil, Engine . . . . .                                   | .30 |
| Oil Level, Checking Engine . . . . .                    | .30 |
| Oil Level, Checking Transaxle . . . . .                 | .38 |
| Oil, Transmission . . . . .                             | .38 |
| Operating Checklist, Daily . . . . .                    | .18 |
| Operating safely . . . . .                              | .9  |
| Operator Station Controls . . . . .                     | .18 |
| <b>P</b>  |     |
| Park Brake, Testing . . . . .                           | .22 |
| Park Brake, Using . . . . .                             | .23 |
| Plastic And Painted Surfaces, Avoid Damage To . . . . . | .19 |
| <b>R</b>  |     |
| Record service dates . . . . .                          | .58 |
| Replacement parts . . . . .                             | .57 |
| <b>S</b>  |     |
| Safety labels, no-text . . . . .                        | .7  |
| Safety labels, text . . . . .                           | .4  |
| Safety Systems, Testing . . . . .                       | .22 |
| Safety, Tire . . . . .                                  | .14 |
| Seat, Adjusting . . . . .                               | .19 |
| Seat, Install . . . . .                                 | .16 |
| Service Information, Emissions . . . . .                | .29 |
| Service Intervals . . . . .                             | .28 |
| Slopes, operating on . . . . .                          | .10 |
| Spark Arrestor, Maintenance . . . . .                   | .37 |
| Spark Arrestor, Using . . . . .                         | .9  |
| Spark Plug, Checking . . . . .                          | .37 |
| Storage, Preparing Machine for . . . . .                | .52 |
| Storage, Removing Machine from . . . . .                | .53 |
| Storing Safety . . . . .                                | .52 |
| Style Cover, Removing and Installing . . . . .          | .50 |
| Switch, Testing Motion Control Lever . . . . .          | .23 |
| Switch, Testing Mower Engagement (PTO) . . . . .        | .22 |
| Switch, Testing Park Brake . . . . .                    | .22 |
| Switch, Testing Seat . . . . .                          | .23 |
| Switch, Using Key . . . . .                             | .23 |
| Switch, Using the Mower Engagement . . . . .            | .23 |
| <b>T</b>  |     |
| Template, slope gauge . . . . .                         | .59 |
| Tire Pressure, Checking . . . . .                       | .49 |
| Tracking, Adjusting . . . . .                           | .39 |
| Transaxle, Cleaning Cooling Fans . . . . .              | .40 |
| Transaxle Drive Belt, Checking and Replacing . . . . .  | .40 |
| Transporting Machine on Trailer . . . . .               | .27 |
| Transporting Material Collection System . . . . .       | .28 |
| Troubleshooting chart . . . . .                         | .51 |
| <b>W</b>  |     |
| Warranty, product . . . . .                             | .55 |
| Warranty Registration . . . . .                         | .3  |
| Wheel Assembly, Removing and Installing . . . . .       | .49 |
| Wheels, Adjusting Mower . . . . .                       | .21 |
| Wheels, Removing and Installing Front Caster . . . . .  | .49 |