

Item #1001 863 387
Model #K40070



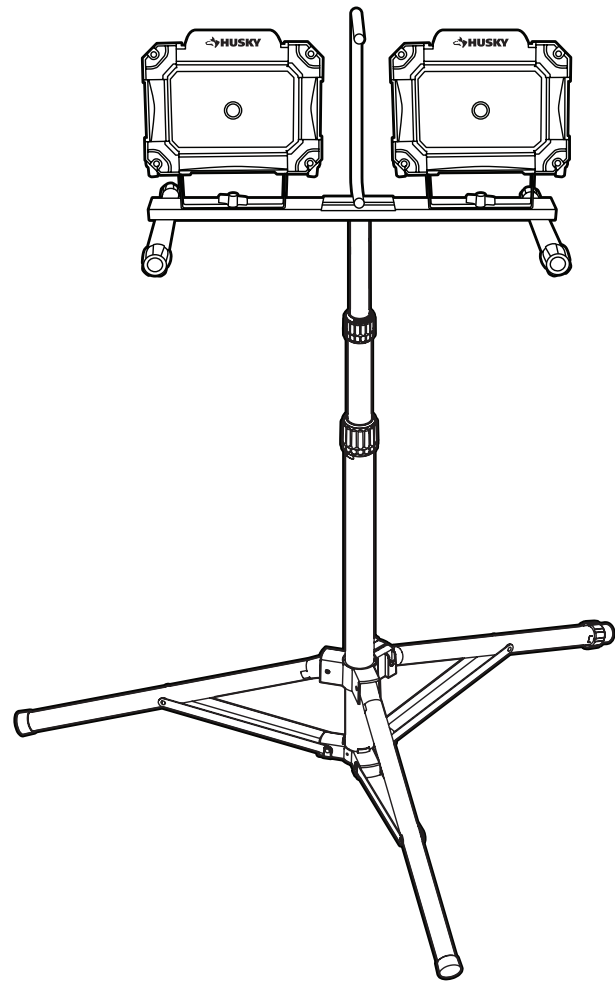
USE AND CARE GUIDE

5000 LUMEN TWIN HEAD LED WORKLIGHT WITH TRIPOD

Questions, problems, missing parts?
Before returning to the store, call
Husky Customer Service
8 a.m. - 7 p.m., EST, Monday - Friday
9 a.m. - 6 p.m., EST, Saturday

1-888-HD-HUSKY

HUSKYTOOLS.COM



THANK YOU

We appreciate the trust and confidence you have placed in Husky through the purchase of this twin head worklight. We strive to continually create quality products designed to enhance your home. Visit us online to see our full line of products available for your home improvement needs. Thank you for choosing Husky!

Table of Contents

Table of Contents 2
Safety Information 2
Warranty 3
Pre-Assembly 3

Assembly 5
Operation 7
Care and Cleaning 7
Maintenance 7

Safety Information

Read and understand all Safety and Operating instructions in this manual before using this product.

 **DANGER:** BE EXTREMELY CAREFUL WHEN USING THIS DEVICE. Improper use of this worklight can result in injury or death.


 **WARNING:** Failure to observe the following safety rules may result in FIRE, ELECTRICAL SHOCK, OR INJURY.

Follow all safe guards stated in this manual, in addition to normal safety precautions in working with electrical devices. When using outdoor-use Portable Lamp Stand / Tripod Worklights, always follow basic safety precautions to reduce the risk of fire, electric shock and personal injury.

1. Use only 3-wire UL listed outdoor extension cords that have 3-prong grounded plugs and grounded receptacles that accept the worklight's plug.
2. Ground Fault Circuit Interrupter (GFCI) protection should be provided on the circuit(s) or outlet(s) to be used for wet location tripod worklights. Receptacles are available having the built-in GFCI protection and are able to be used for this measure of safety.
3. Use only with an extension cord for outdoor use, such as an extension cord of cord type SEW, SEOW, SE00W, SOW, SO0W, STW, STOW, STO0W, SJEW, SJEOW, SJE00W, SJW, SJOW, SJO0W, SJTW, SJTOW, or SJTO0W.
4. Never use around heavy volatile fluids such as gasoline.
5. Do not use with an extension cord near water, or in areas where water may accumulate. Keep the worklight at least 16 ft. from pools or spas. Keep plugs dry. Only use this worklight with GFCI-protected outlets when in wet locations.

SAVE THESE INSTRUCTIONS.

FCC STATEMENT

 **WARNING:** Changes or modifications to this unit not expressly approved by the party responsible for compliance could void the user's authority to operate the equipment.

NOTICE: This equipment has been tested and found to comply with the limits for a Class B digital device, pursuant to Part 15 of the FCC Rules. These limits are designed to provide reasonable protection against harmful interference in a residential installation. This equipment generates, uses and can radiate radio frequency energy and, if not installed and used in accordance with the instructions, may cause harmful interference to radio communications. However, there is no guarantee that interference will not occur in a particular installation. If this equipment does cause harmful interference to radio or television reception, which can be determined by turning the equipment off and on, the user is encouraged to try to correct the interference by one or more of the following measures:

- Reorient or relocate the receiving antenna.
- Increase the separation between the equipment and receiver.
- Connect the equipment into an outlet on a circuit different from that to which the receiver is connected.
- Consult the dealer or an experienced radio/TV technician for help.

Warranty

The manufacturer warrants the products to be free from defects in materials and workmanship for a period of three (3) years from date of purchase. We take pride in the design and construction of each of our products and work to maintain the quality of our materials and craftsmanship to assure your satisfaction.

If any problems appear, the purchaser may return the item, freight prepaid, together with a copy of your original purchase receipt to place of purchase and it will be replaced with the same or comparable model free of charge. This warranty does not cover fixtures that have been altered in any way; it is void if damage or defect has resulted from accident, abuse, misuse or faulty repair.

In no event will the manufacturer be liable for any incidental or consequential damages. No charge will be acceptable for unauthorized repairs, parts or service. Some states do not allow the exclusion or limitation of incidental or consequential damages, so the above exclusion or limitation of incidental or consequential damages may not apply to you. Legal warranty rights will vary from state to state and you may have other rights.

Contact the Customer Service Team at 1-888-HD-HUSKY or visit www.HUSKYTOOLS.com.

Pre-Assembly

SPECIFICATIONS

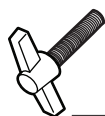
| | |
|----------------|-----------|
| Product Weight | 14.03 lbs |
| Product Width | 39.37 in. |
| Product Depth | 39.37 in. |
| Product Height | 74.80 in. |

| | |
|---------------|------------|
| Rated Voltage | 120V, 60Hz |
| Rated Current | 0.56A |
| Rated Power | 68W |

HARDWARE INCLUDED



NOTE: Hardware not shown to actual size.



AA



BB



CC

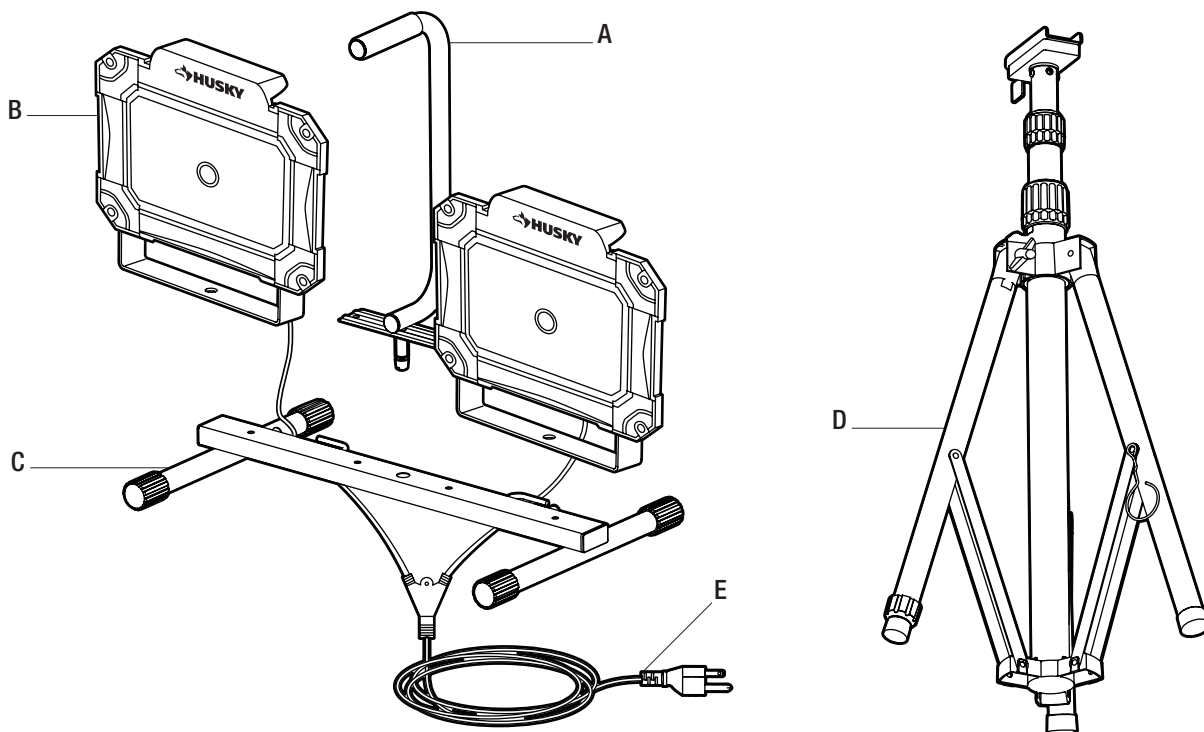


DD

| Part | Description | Quantity |
|------|-----------------|----------|
| AA | Tripod screw | 1 |
| BB | Lamp head screw | 2 |
| CC | Screw | 1 |
| DD | Handle screw | 2 |

Pre-Assembly (continued)

PACKAGE CONTENTS

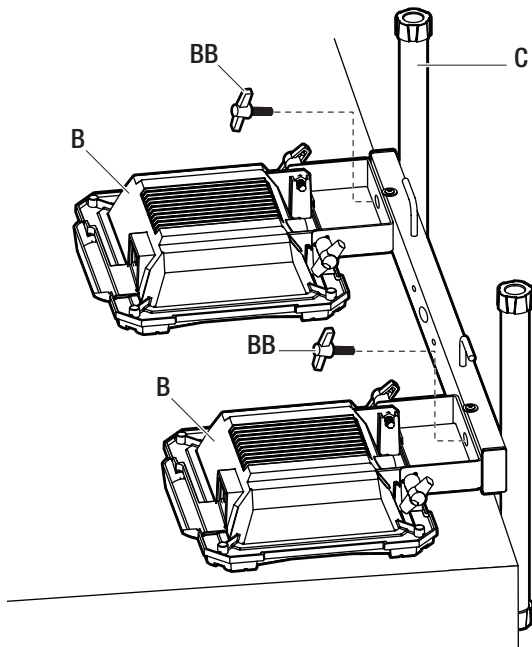


| Part | Description | Quantity |
|------|----------------|----------|
| A | Central handle | 1 |
| B | Lamp head | 2 |
| C | Stand | 1 |
| D | Tripod | 1 |
| E | Power cord | 1 |

Assembly

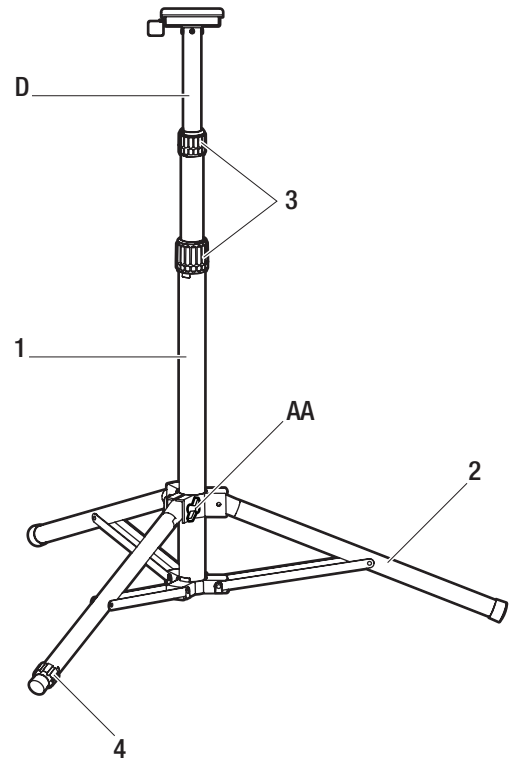
1 Attaching the lamp heads to the stand

- Lay the lamp heads (B) face down and position the stand (C) against the U-shaped bracket on the lamp head (B).
- Attach the lamp heads (B) to the stand (C) by inserting the lamp head screws (BB) into the bottom of the lamp heads and into the stand (C).



2 Preparing the tripod

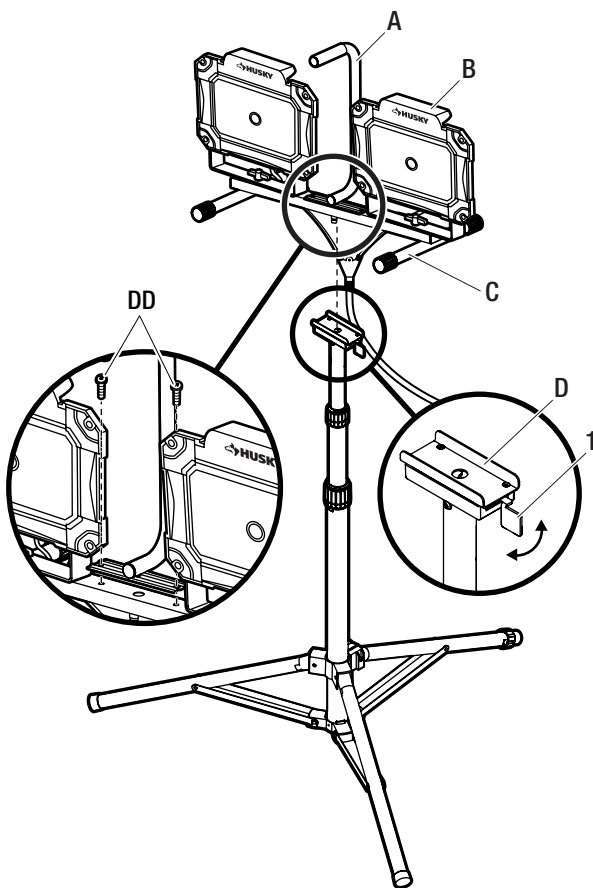
- Loosen the tripod screw (AA) and move the support legs (2) away from the center tube (1) of the tripod (D).
- Push down on the leg connector until the support legs (2) are fully extended and firmly tighten the tripod screw (AA).
- Adjust the height of the tripod (D) by loosening the red twist collars (3) on the center tube (1) and raising the pole section.
- Extend the legs as necessary at the ends (4) for added balance in various situations.
- Firmly tighten the twist collars (3) once you have adjusted the tripod (D) to the desired height.
- Tighten the tripod screw (AA) to secure the base of the tripod into position.



Assembly (continued)

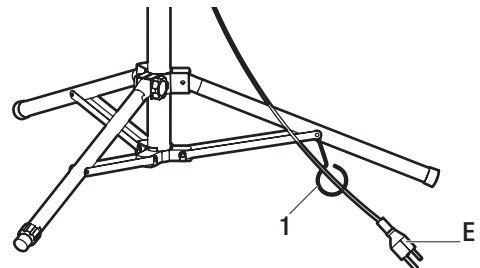
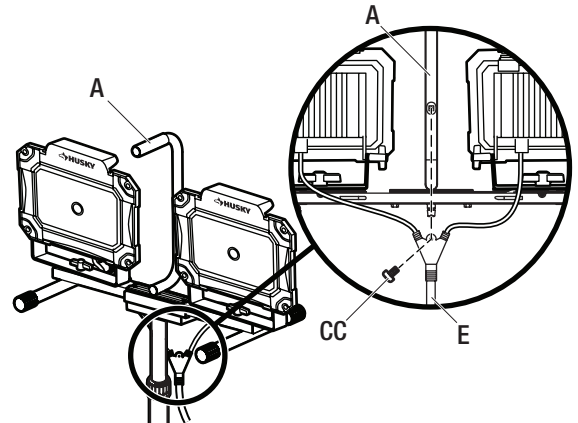
3 Attaching the lamps to the tripod

- Secure the central handle (A) to the stand (C) by inserting the handle screws (DD).
- Position the center of the stand (C) over the center of the tripod (D) and insert the post on the bottom of the stand (C) into the top of the tripod (D).
- Push the lever (1) on the tripod (D) to lock the stand (C) in place.
- To unlock the stand (C) from the tripod (D), pull the lever (1) and lift the stand (C) using the central handle (A).



4 Securing the power cord

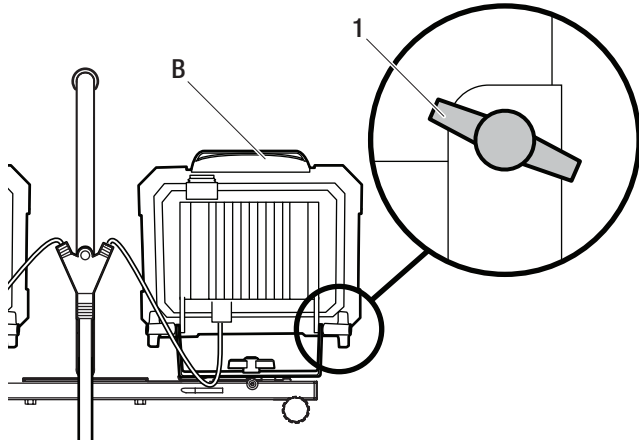
- Attach the Y-shaped portion of the power cord (E) to the central handle (A) using the screw (CC) that is preassembled to the cord (E).
- Hook the bottom of the cord (E) around the hook (1) located on the bottom of the tripod.



Operation

1 Adjusting the light direction

- Adjust the lamp heads (B) by loosening the twist knobs (1) on each side of the lamp heads (B).
- Hold the top of the lamp heads (B) and move forward or backward to the desired position. Retighten the twist knobs (1).

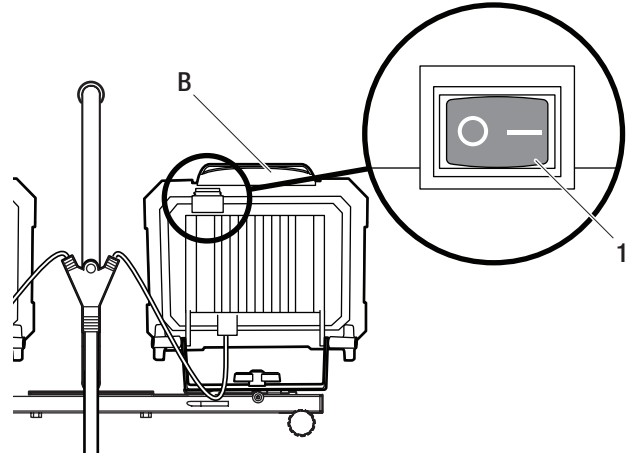


2 Turning the lamp head on



NOTE: Always turn the lamp head (A) off before you unplug the worklight.

- Plug the power cord into a 120V outlet.
- Press the On/Off switch (1) on the lamp heads (B) to turn the lamps on (—) and off (0).



Care and Cleaning



WARNING: Always make sure that the worklight is unplugged and cooled down before attempting to clean it.

- Clean the lamp head, lens cover, lamp stand and tripod regularly with a non-abrasive cleaner.
- Allow the worklight to cool down completely before storing.
- Store in a safe place, out of the reach of children.

Maintenance

If the light does not work, check the following:

- Ensure the fixture is properly plugged into the power source.
- Ensure the switch is in the ON position.



Questions, problems, missing parts? Before returning to the store,
call Husky Customer Service
8 a.m. - 7 p.m., EST, Monday-Friday
9 a.m. - 6 p.m., EST, Saturday

1-888-HD-HUSKY

HUSKYTOOLS.COM

Retain this manual for future use.