

Hold it **Mate**TM
system



THE IDEA BOOK

WHAT IS IT?

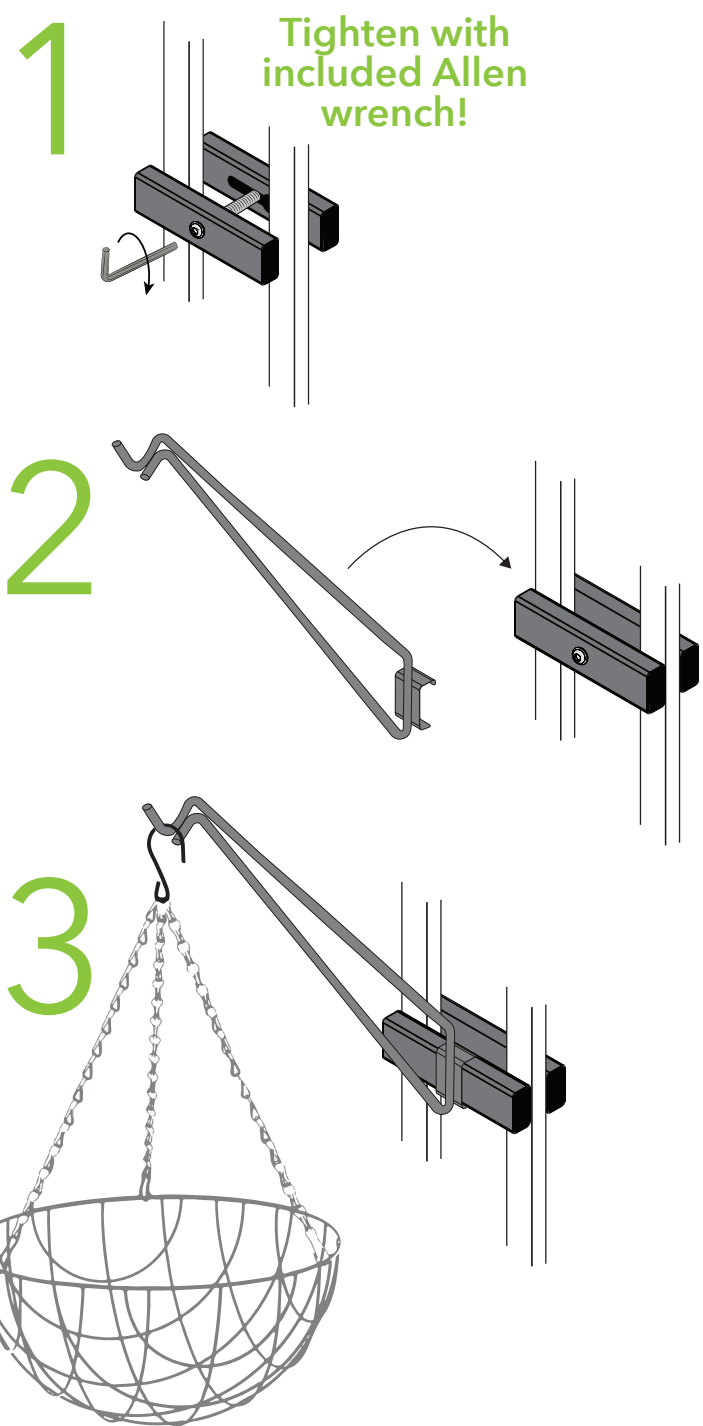
The Hold it Mate System is a TOTAL solution for deck gardening, grilling, bird feeding and more!

HOW DOES IT WORK?

The Hold it Mate Deck Rail System is a two-part solution that includes a horizontal **Hold it Mate Rail** that connects to your vertical deck spindles (1), and multiple **Hold it Mate Accessories** that snap right onto the Rail (2).

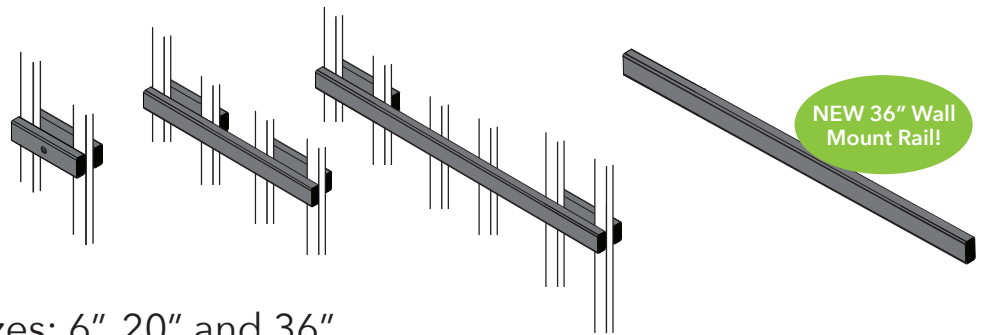
Then, you add pots, tools, bird feeders, and more—anything you want to beautify your deck (3)!

NEW!
Vertical Garden Option!
Wall Mounted Hold It
Mate now Available!



WHAT DO YOU NEED?

First, you need a Hold it Mate Mounting Rail:

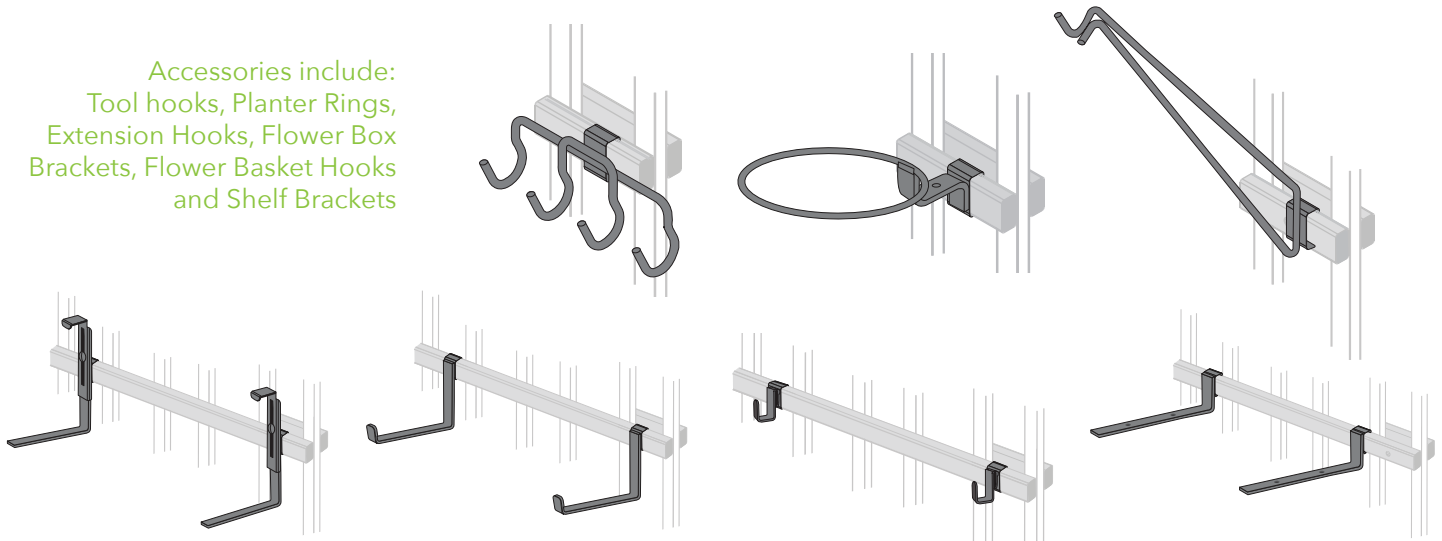


- Rails come in three sizes; 6", 20" and 36"
- Each rail comes with everything you need to install it—no additional tools are required!
- We include 3 bolt lengths with every Deck Mounting Rail, so the Hold it Mate system will work on any deck spindles—wood, metal, PVC, round, or square*.

* Fits ½" - 1½" diameter spindles.

Then, you add Hold it Mate Accessories:

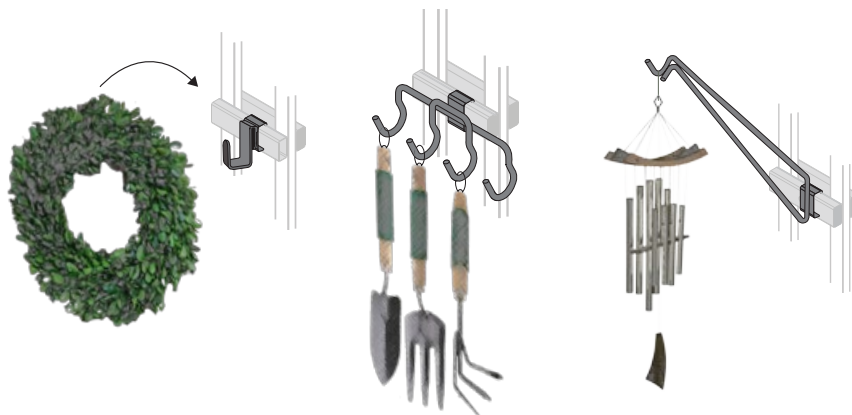
Accessories include:
Tool hooks, Planter Rings,
Extension Hooks, Flower Box
Brackets, Flower Basket Hooks
and Shelf Brackets



- Hold it Mate accessories simply snap onto the Hold it Mate Rails - no bolts, no tools, and no damage to your deck.
- Mix and match accessories to create beautiful deck gardens, hang décor and bird feeders, organize tools—and so much more—to make the best use of your deck space. See the following pages for inspiration.
- Snap Hold it Mate Accessories to both sides of the Hold it Mate Rail for even more design freedom!

The Hold it Mate **Small Rail (6")**

is the perfect solution for small spaces, bird feeding, home décor, hanging plants, dog dishes and more.



The 6 inch Rail will accommodate the most common Hold it Mate accessories such as planter rings, extension hooks and tool hooks. Snap an accessory onto each side of the Rail to get even more bang for your buck!





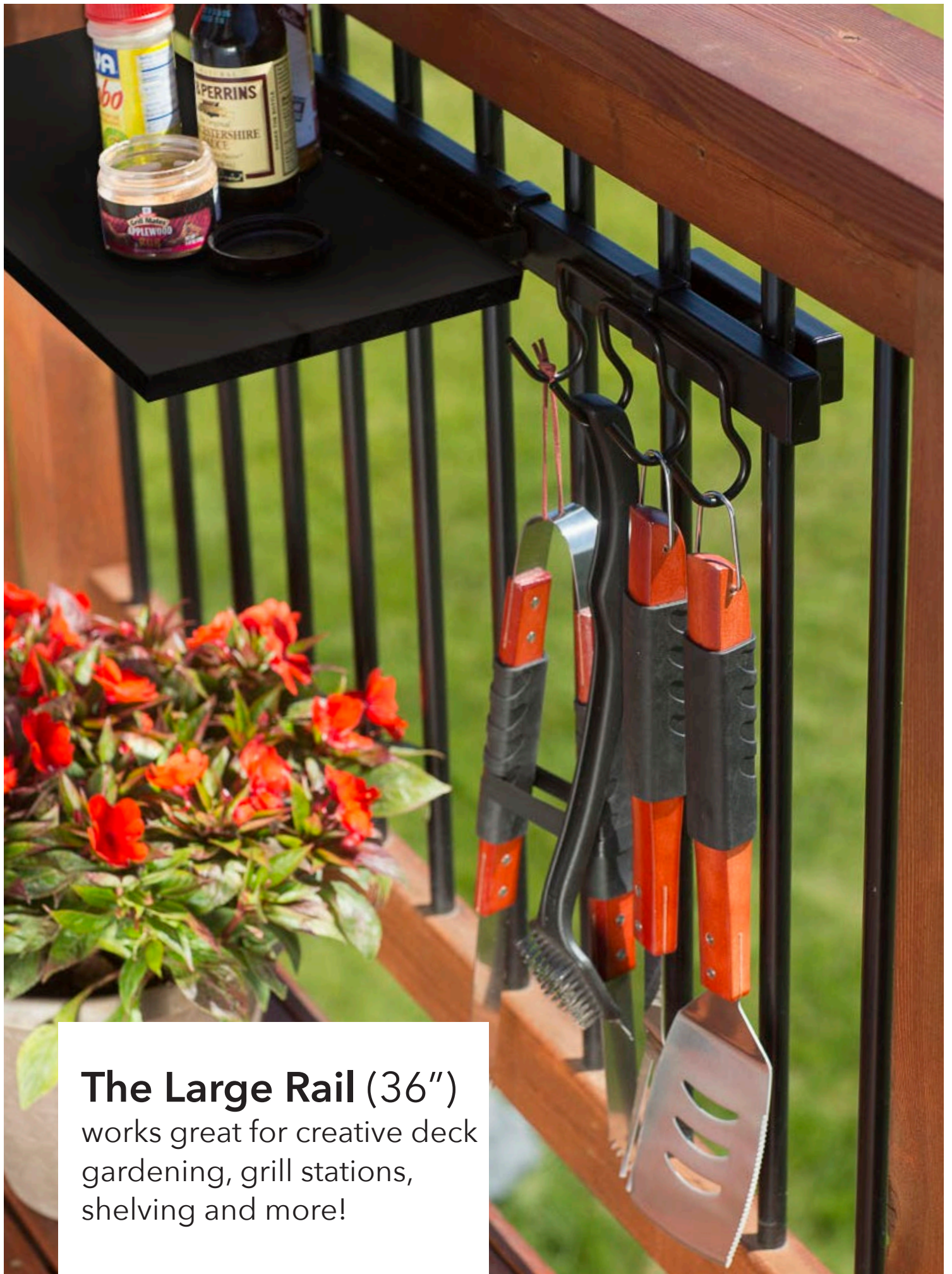
The Hold it Mate **Medium Rail (20")** gives you a little more length for shelving, planter boxes and extra accessories.



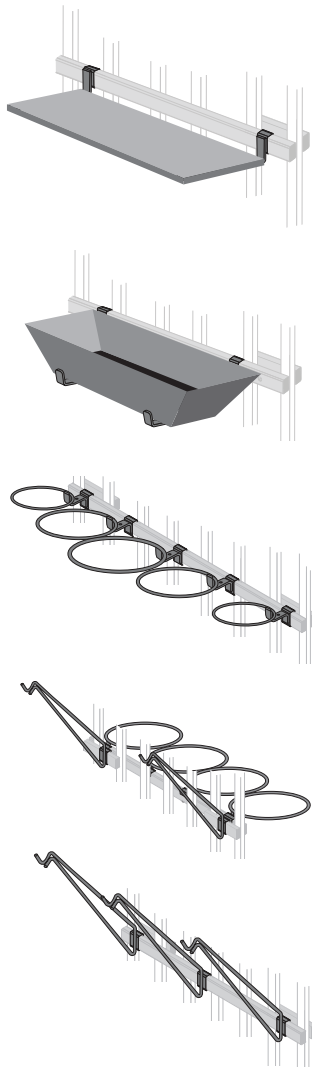
The 20 inch Rail accommodates all of the available Hold it Mate accessories—including shelf and planter box brackets—for even more versatility in your outdoor space.



Hang a shelf, plant an herb garden or keep Fido happily fed with no drilling, no screw holes and no damage to your deck what-so-ever.



The Large Rail (36")
works great for creative deck
gardening, grill stations,
shelving and more!



The 36 inch Rail allows plenty of room to create all kinds of impressive combinations.

Hang your grilling tools and a shelf to hold your supplies, stack planter boxes to fill your space with flowers, display a row of flower pots for that WOW factor, mix and match any Hold it Mate accessories to fit your own style and needs.

And when you use both sides of the Rail, the sky's the limit!





SO VERSATILE!

1. Hang flowers, décor or ambient lighting without drilling any holes or doing any damage.
2. Easily add a side table to hold drinks and reading materials.
3. Surround yourself with beautiful flowers without taking up space or messing up the deck floor
4. Keep grilling tools organized and within reach.



www.holditmate.com



United States Patent #9,958,112
Made in Taiwan.

BRIAN JOHNSON | 952.201.2163 | brian@holditmate.com

©2018 Hold it Mate™, a division of 21 Rocks Corporation