

Features

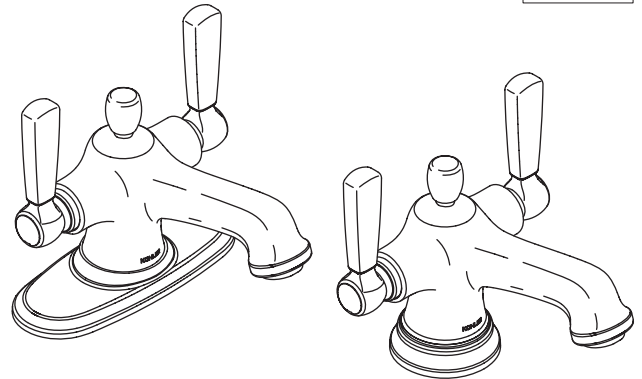
- Brass valve bodies
- Quarter-turn washerless ceramic disc valves
- 2.2 gallons (8.3 L) per minute
- Lower flow aerator options are available (refer to the Kohler Price Book)
- Pop-up drain with lift rod and tailpiece
- Lever handle
- Cast brass waterway
- Complements Bancroft™ Suite
- 4-7/8" (12.4 cm) spout

CENTERSET LAVATORY FAUCET

K-10579

ALSO K-10580

ADA



Codes/Standards Applicable

Specified model meets or exceeds the following:

- ASME A112.18.1
- CSA B125
- Energy Policy Act of 1992 (EPACT)
- IAPMO/UPC
- NSF 61
- ADA

Colors/Finishes

- CP: Polished Chrome
- Other: Refer to Price Book for additional colors/finishes

Specified Model:

Model	Description	Colors/Finishes	
		<input type="checkbox"/> CP	<input type="checkbox"/> Other____
K-10579-4	Two-handle monoblock lavatory faucet with metal lever handles and metal drain	<input type="checkbox"/> CP	<input type="checkbox"/> Other____
K-10579-4P	Two-handle monoblock lavatory faucet with ceramic lever handles and metal drain	<input type="checkbox"/> CP	<input type="checkbox"/> Other____
K-10580-4	Two-handle monoblock lavatory faucet with metal lever handles and plastic drain	<input type="checkbox"/> CP	
K-10580-4P	Two-handle monoblock lavatory faucet with ceramic lever handles and plastic drain	<input type="checkbox"/> CP	

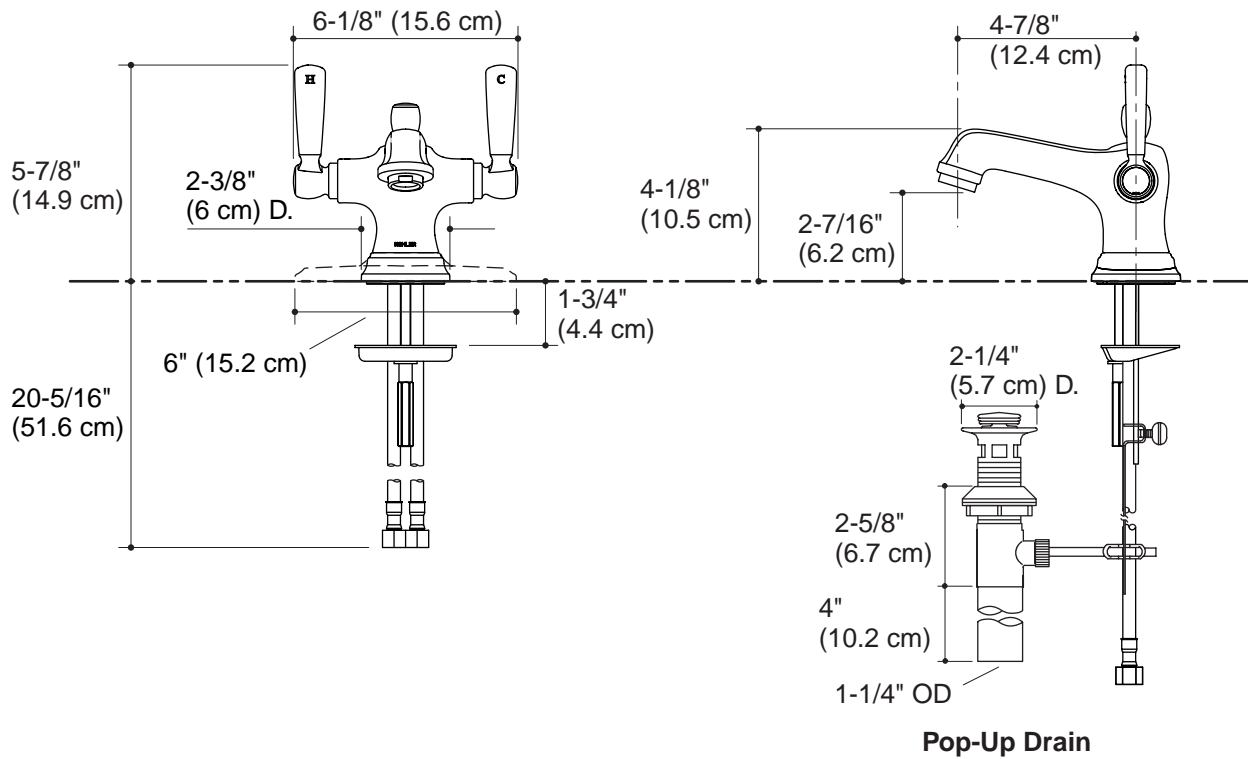
Product Specification

Two-handle lavatory faucet shall be of brass construction. Faucet shall feature brass valve bodies and cast brass waterway. Faucet shall feature quarter-turn washerless ceramic disc valves, assuring positive handle stop positioning. Product shall be rated at 2.2 gpm (8.3 l/m) maximum at 60 psi (4.14 bar). Product shall have lower flow aerator options. Product shall complement the Bancroft™ suite. Product shall include 4-7/8" (12.4 cm) spout, pop-up drain with lift rod and tailpiece, and lever handles. Faucet shall be Kohler Model K-____-____-____.

BANCROFT™

Installation Notes

Install this product according to the installation guide.



Product Diagram