



ENGLISH

ESPAÑOL

OWNER'S MANUAL

AIR CONDITIONER

**Read this owner's manual thoroughly before operating the appliance
and keep it handy for reference at all times.**

TYPE: PORTABLE AIR CONDITIONER

LP0820WSR
LP1020WSR
LP1220GSR
LP1420BSR
LP1420BHR

www.lg.com

Rev.00

Copyright © 2019 LG Electronics Inc. All Rights Reserved.

TABLE OF CONTENTS

3 SAFETY INSTRUCTIONS

- 3 IMPORTANT SAFETY INSTRUCTIONS

7 PRODUCT OVERVIEW

- 7 Key Parts and Components

8 INSTALLATION

- 8 Electrical Information
- 9 Before Installing the Air Conditioner
- 9 Wireless Remote Control
- 10 Contents of Installation Kit
- 10 Selection of Installation Location
- 11 Assembling the Flexible Vent Hose Set
- 11 Attaching the Flexible Vent Hose Set
- 12 Window Vent Panel and Extensions
- 13 Installing Vent Panels
- 15 Drain Hose Installation for Heating
(On Some Models)
- 16 Garden Hose Installation for Dehumidifying
(Dry Mode Only)

17 OPERATION

- 17 Control Panel and Remote Control

19 MAINTENANCE

- 19 Emptying the Water Collection Tank
- 19 Cleaning the Case
- 19 Cleaning the Air Filter

20 TROUBLESHOOTING

- 20 Before Calling for Service

22 WARRANTY

- 22 WARRANTY
- 24 ARBITRATION NOTICE

SAFETY INSTRUCTIONS

READ ALL INSTRUCTIONS BEFORE USE

Your safety and the safety of others are very important.

We have provided many important safety messages in this manual and on your appliance. Always read and follow all safety messages.

This is the safety alert symbol.



This symbol alerts you to potential hazards that can kill or injure you and others. All safety messages will follow the safety alert symbol and either the word WARNING or CAUTION.

These words mean:



WARNING

You may be killed or seriously injured if you do not follow instructions.



CAUTION

You may be injured or cause damage to the product if you do not follow instructions.

All safety messages will tell you what the potential hazard is, tell you how to reduce the chance of injury, and tell you what may happen if the instructions are not followed.

IMPORTANT SAFETY INSTRUCTIONS



WARNING

To reduce the risk of explosion, fire, death, electric shock, scalding or injury to persons when using this product, follow basic precautions, including the following:

INSTALLATION

- Before use, the appliance must be properly installed as described in this manual.
- Contact the authorized service technician for repair or maintenance of this unit.

- When the power cord is to be replaced, replacement work shall be performed by authorized personnel only using only genuine replacement parts.
- Installation work must be performed in accordance with the National Electric Code.
- Connect to a properly rated, protected, and sized power circuit to avoid electrical overload.
- Always plug into a grounded outlet.
- Do not under any circumstances, cut or remove the third (ground) prong from the power cord.
- When installing or moving the appliance, be careful not to pinch, crush, or damage the power cord.
- Plug in the power plug properly.
- Do not modify or extend the power cord.
- Do not start/stop operation by plugging/unplugging the power cord.
- Use a dedicated circuit.
- Do not disassemble or modify the product.
- Adhere to all industry recommended safety procedures including the use of long-sleeved gloves and safety glasses.
- Use care when unpacking and installing. The edges of the product may be sharp.
- Disconnect the power cord or circuit breaker before installing or servicing the appliance.
- Keep packaging materials out of the reach of children. These materials can pose a suffocation risk to children.
- Store and install the product where it will not be exposed to temperatures below freezing or exposed to outdoor weather conditions.
- Do not store or use gasoline or other flammable vapors and liquids in the vicinity of this or any other appliance.

OPERATION

- Use this appliance only for its intended purpose.
- Never attempt to operate this appliance if it is damaged, malfunctioning, partially disassembled, or has missing or broken parts, including a damaged cord or plug.
- Repair or immediately replace all power cords that have become frayed or otherwise damaged. Do not use a cord that shows cracks or abrasion damage along its length or at either end.
- Do not run cord under carpets or mats where it could be stepped on and damaged.
- Keep the cord out from under heavy objects like tables or chairs.
- Do not place the power cord near a heat source.
- Do not use an adaptor or plug the product into a shared outlet.
- Do not tamper with controls.
- If you detect a strange sound, a chemical or burning smell, or smoke coming from the appliance, unplug it immediately, and contact an LG Electronics Customer Information Center.
- Never unplug the appliance by pulling on the power cord. Always grip the plug firmly and pull straight out from the outlet.
- Do not grasp the power cord or touch the appliance controls with wet hands.
- The air conditioner is not intended for use by young children or invalids without supervision.
- Young children should be supervised to ensure that they do not play with the air conditioner.

- If water enters the product, turn off the power at the main circuit, then unplug the product and call for service.
- If the product has been submerged, contact the LG Electronics Customer Information Center for instructions before resuming use.
- Unplug the product if it will not be used for long periods.
- Unplug the product before cleaning.
- In the event of a gas leak (propane gas, etc.) do not operate this or any other appliance. Open a window or door to ventilate the area immediately.
- This appliance is not intended for use by persons (including children) with reduced physical, sensory or mental capabilities, or lack of experience and knowledge, unless they have been given supervision or instruction concerning the use of the appliance by a person responsible for their safety.
- To clean the interior, contact the LG Electronics Customer Information Center or a dealer. Using harsh detergents may cause corrosion or damage to the unit.
- Do not use solvent-based detergent on the product. Doing so can cause corrosion or damage, product failure, electrical shock, or fire.

GROUNDING INSTRUCTIONS

- The power cord of this appliance is equipped with a three-prong (grounding) plug. Use this with a standard three-slot (grounding) wall power outlet to minimize the hazard of electric shock. Have the wall receptacle and circuit checked by a qualified electrician to make sure the receptacle is properly grounded. **DO NOT CUT OR REMOVE THE THIRD (GROUND) PRONG FROM THE POWER PLUG.**
 - Situations when the appliance will be disconnected occasionally; Because of potential safety hazards, we strongly discourage the use of an adapter plug. However, if you wish to use an adapter, a TEMPORARY CONNECTION may be made. Use UL-listed adapter, available from most local hardware stores.
The large slot in the adapter must be aligned with the large slot in the receptacle to assure a proper polarity connection.
- Attaching the adapter ground terminal to the wall receptacle cover screw does not ground the appliance unless the cover screw is metal, and not insulated, and the wall receptacle is grounded through the house wiring. The customer should have the circuit checked by a qualified electrician to make sure the receptacle is properly grounded.
- Disconnect the power cord from the adapter, using one hand on each. Otherwise, the adapter ground terminal might break. Do not use the appliance with a broken adapter plug.
 - Situations when the appliance will be disconnected often; Do not use an adapter plug in these situations. Unplugging the power cord frequently can lead to an eventual breakage of the ground terminal. The wall power outlet should be replaced by a three-slot (grounding) outlet instead.

 **CAUTION**

To reduce the risk of minor or moderate injury to persons, malfunction, or damage to the product or property when using this product, follow basic precautions, including the following:

INSTALLATION

- Take care when installing the product that exhaust or condensation does not damage nearby property.
- Follow installation instructions exactly to avoid excessive vibration or water leakage.

OPERATION

- This appliance is not intended for use as a precision refrigeration system. Do not use it for special purposes such as maintaining pets, food, precision machinery, or art objects.
- When installing or moving the appliance, be careful not to pinch, crush, or damage the power cord.
- Make sure the air inlet and outlet are free from obstructions.
- Use a soft cloth to clean the appliance. Do not use waxes, thinners, or harsh detergents.
- Do not step on or place heavy objects on top of the appliance.
- Do not operate the appliance without the filter securely installed.
- Do not drink water drained from the appliance.
- Be sure to ventilate sufficiently when the air conditioner and a heating appliance such as a heater are used simultaneously.
- Being exposed to direct airflow for an extended period of time could be hazardous to your health.
- Remove the batteries if the remote control is not to be used for an extended period of time.
- Never mix different types of batteries, or old and new batteries for the remote control.
- Stop using the remote control if there is a fluid leak in the battery. If your clothes or skin are exposed to the leaking battery fluid, wash off with clean water.
- If the leaking battery fluid has been swallowed, rinse the inside of the mouth thoroughly and consult a doctor.
- Do not recharge or disassemble the batteries.

MAINTENANCE

- Clean the filter every two weeks.
- Never touch the metal parts of the air conditioner when removing the air filter.
- Never spray the product with water or use strong cleaning agents or solvents when cleaning the air conditioner. Use a soft cloth to avoid scratching the exterior.

SAVE THESE INSTRUCTIONS

PRODUCT OVERVIEW

Key Parts and Components

1 AIR DISCHARGE

The adjustable louvered air discharge opens automatically when the air conditioner is turned on, and closes when it is turned off. It can also be set to oscillate to distribute air more evenly through the room.

2 CONTROL PANEL AND DISPLAY

Easy-to-read digital display shows the set temperature, and indicator lights show the operating mode. Simple push buttons make changing settings quick and easy.

3 SWIVELING CASTERS

Swiveling casters allow you to move the air conditioner easily on most floor surfaces.

4 INTEGRATED HANDLES

Integrated handles provide a convenient grip when lifting the air conditioner.

5 WIRELESS REMOTE CONTROL

The remote control allows you to adjust the temperature and operate most functions of the air conditioner from across the room.

6 BOTTOM DRAIN PORT

Before moving the air conditioner, drain the internal water in the collection tank completely using the bottom drain port.

7 CONTINUOUS DRAIN PORT

Connect a garden hose for continuous drainage when running the air conditioner in Dry mode.

8 PUMP DRAIN PORT (On Some Models)

Connect the provided pump drain hose for drainage when running the air conditioner in Heat mode.

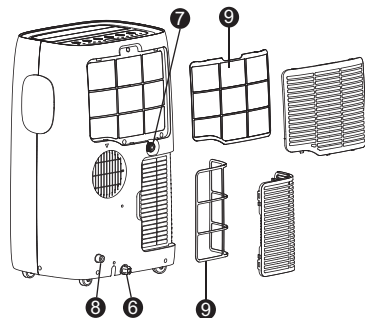
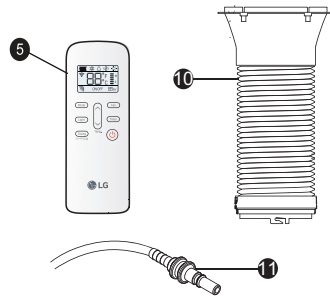
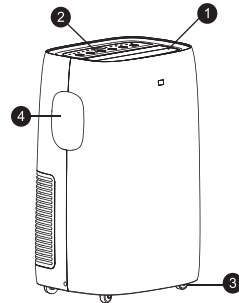
9 AIR FILTER

10 HOSE AND DIFFUSER

Use the diffuser and hose to connect the air conditioner to the window installation kit to vent exhaust air outside.

11 PUMP DRAIN HOSE (On Some Models)

Connect to the pump drain port for pump drainage when running the air conditioner in Heat mode. See Drain Hose Installation for Heating.



NOTE

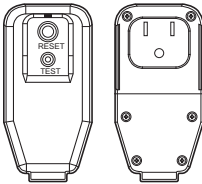
- Features may change depending on model.


INSTALLATION

Electrical Information

Power cord may include a current interrupter device. **TEST** and **RESET** buttons are provided on the plug case. The device should be tested on a periodic basis by first pressing the **TEST** button and then the **RESET** button. If the **TEST** button does not trip or if the **RESET** button will not stay engaged, discontinue use of the air conditioner and contact a qualified service technician.

for 120 V



Use Wall Receptacle	Power Supply
 <p data-bbox="84 818 339 885">Standard 120V , 3-wire grounding receptacle rated 15A / 120 VAC / 60 Hz</p>	<p data-bbox="358 774 526 842">Use 15 A, time-delay fuse or 15 A circuit breaker.</p>

WARNING

- This appliance should be installed in accordance with the National Electrical Code.
- Use of extension cords could cause serious injury or death.
 - Do not use an extension cord with this portable air conditioner.
 - Do not use surge protectors or multi-outlet adapters with this portable air conditioner.
- Never push the **TEST** button during operation. Doing so can damage the plug.
 - Do not remove, modify, or immerse this plug. If this device trips, the cause should be corrected before further use.

CAUTION

- The conductors inside this cord are surrounded by shields, which monitor leakage current. These shields are not grounded. Periodically examine the cord for any damage. Do not use this product in the event the shields become exposed. Avoid shock hazard. This unit cannot be user-serviced. Do not open the tamper-resistant sealed portion. All warranties and performance will be voided. This unit is not intended to be used as an ON/OFF switch.

Before Installing the Air Conditioner

PREPARING FOR OPERATION

Refer to the Installation Instructions included in this manual before using the air conditioner. Once the air conditioner has been properly assembled and installed:

- 1 Plug the power cord into its own dedicated properly grounded outlet. Do not plug other appliances into the same outlet. Doing so could overload the outlet and create a fire hazard.
- 2 Make sure the air conditioner and cord are positioned where they do not create a tripping hazard and will receive adequate ventilation. Do not place the appliance near furniture or objects that could block the vent openings.
- 3 Make sure that any items that could be blown over or damaged by the airflow from the fan are out of the airflow path.

IMPORTANT:

- Do not remain in the direct airflow from the air conditioner for extended periods of time.
- When used at the same time as stoves, fireplaces, and other combustion devices, make sure there is a sufficient flow of fresh air into the room. Do not use in tightly enclosed spaces with these types of devices.
- This air conditioner is intended for household use as a consumer comfort appliance. Do not use it as a precision climate control system, or for purposes such as cooling precision equipment, food, pets, plants, artwork, etc. Such items could be damaged.
- Do not bend the hose downward when window installation kit is not applied. It may cause failure of air conditioner or performance deterioration.

UNPACKING THE AIR CONDITIONER

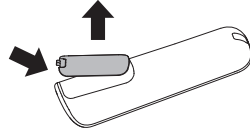
Remove and store packing materials for reuse. Remove any shipping tape before using the air conditioner. If the tape leaves behind any adhesive, rub a small amount of liquid dish soap onto it and wipe with a damp cloth. Do NOT use sharp instruments, alcohol, thinners, or abrasive cleaners to remove adhesive. They could damage the finish.

Wireless Remote Control

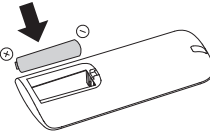
Inserting Batteries

If the display screen of the remote control begins to fade, replace the batteries. Insert AAA (1.5 V) batteries before using the remote control.

- 1 Remove the cover on the back of the remote control.



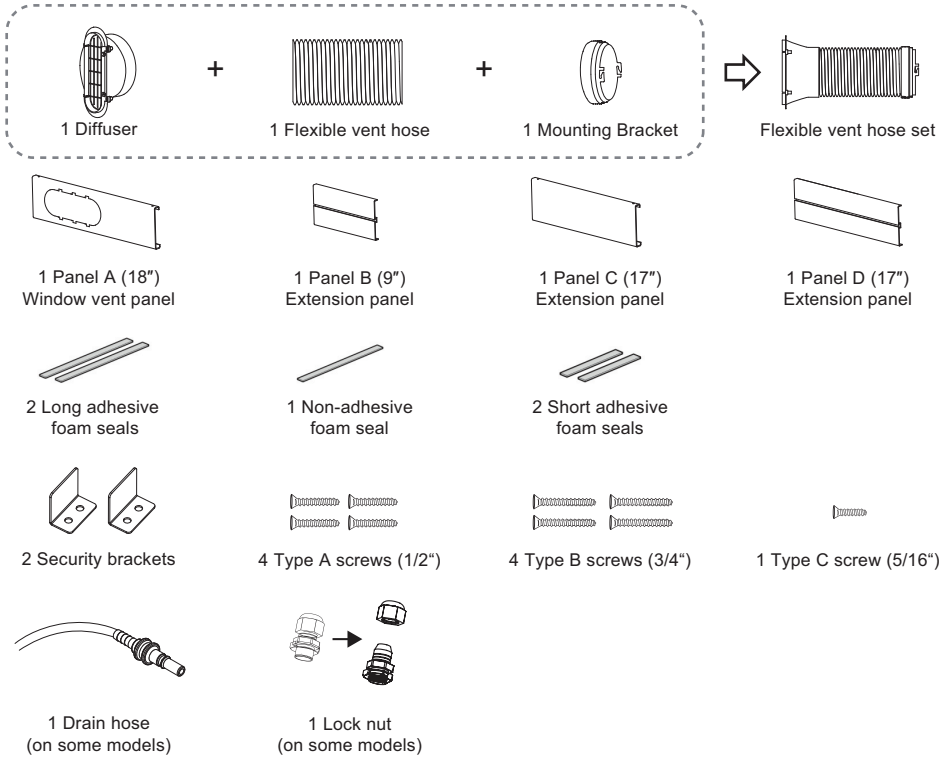
- 2 Insert the new batteries and make sure that the + and - terminals of the batteries are installed correctly.



NOTE

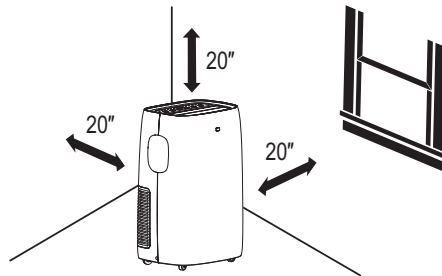
- New batteries are supplied with the air conditioner for use in the remote control.
- Do not use a rechargeable battery. Make sure that the battery is new.
- In order to prevent discharge, remove the battery from the remote control if the air conditioner is not going to be used for an extended period of time.
- Keep the remote control away from extremely hot or humid places.
- To maintain optimal operation of the remote control, the remote sensor should not be exposed to direct sunlight.
- The remote control will not work properly if the unit is exposed to direct light or there is any obstacle between the unit and the remote controller.

Contents of Installation Kit



Selection of Installation Location

- 1 Place the unit on a level floor.
- 2 For best performance, allow at least 20" of air space on all sides of the unit for good air circulation.
- 3 Place the unit near a window. The hose and diffuser will be used to connect the air conditioner to the window installation kit to vent exhaust air outside.



NOTE

The length of the flexible vent hose is specially designed according to the specification of this product. Do not replace or extend it with a hose that is not specifically designed for use with this product as this could cause malfunction.

Assembling the Flexible Vent Hose Set

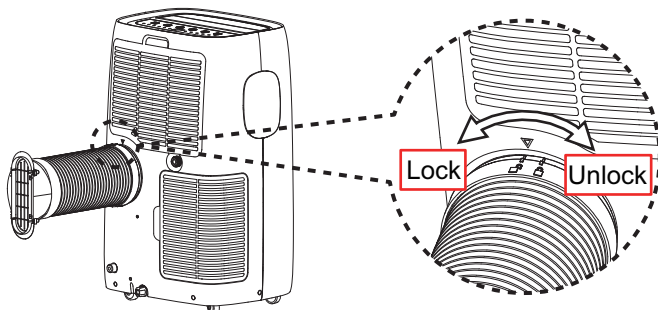
- 1 Pull evenly on the folds to extend one end of the flexible vent hose.
- 2 Insert the mounting bracket on to the end of the vent hose, aligning the mounting bracket threads with the notch on the flexible vent hose.
- 3 Turn the mounting bracket counterclockwise through 5 rotations or until the flexible vent hose is firmly attached.
- 4 Repeat the process to attach the diffuser to the other end of the flexible vent hose.



Lock

Attaching the Flexible Vent Hose Set

Insert the mounting bracket and rotate it to lock it in place.

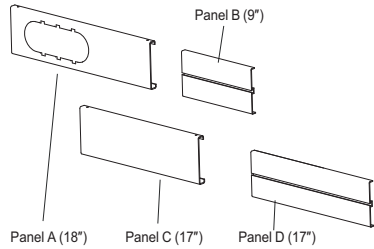
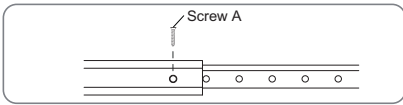


Window Vent Panel and Extensions

The window installation kit allows you to install the air conditioner in most vertical-sliding windows 18" to 50" wide, or horizontal-sliding windows from 18" to 50" high.

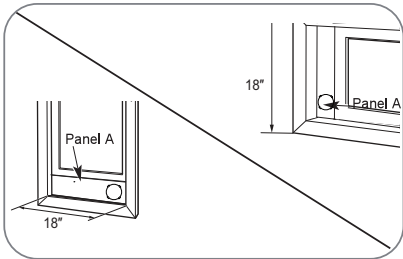
Panel	A	B	C	D	Fig.
Window opening	18"	9"	17"	17"	
18"	√				a
19" - 26"	√	√			b
27" - 34"	√			√	c
35" - 50"	√		√	√	d

1. Select the panels required based on the window opening, as shown above.
2. For longer window openings, assemble and adjust the panels to fit the window opening. Use type A screws (included) to fix the panels together at the proper length.



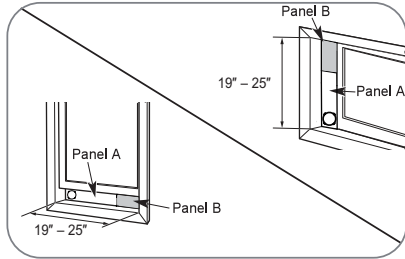
1 Window Vent Panel 3 Extension Panels

Window Installation Kit
(Includes 1 window vent panel and 3 extension panels)



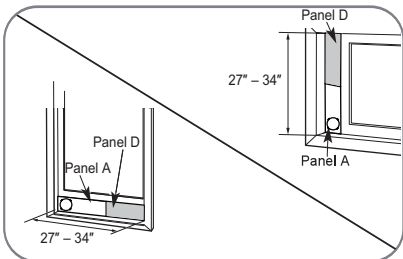
For an 18" window opening, use the window vent panel (Panel A) by itself.

Fig. a



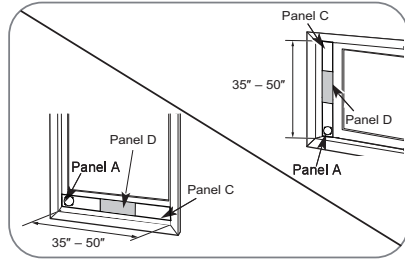
For window openings from 19" to 25", use the window vent panel (Panel A) and extension Panel B.

Fig. b



For window openings from 27" to 34", use the window vent panel (Panel A) and extension Panel D.

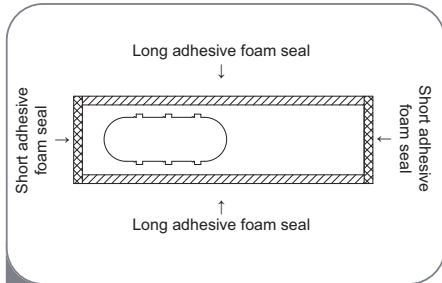
Fig. c



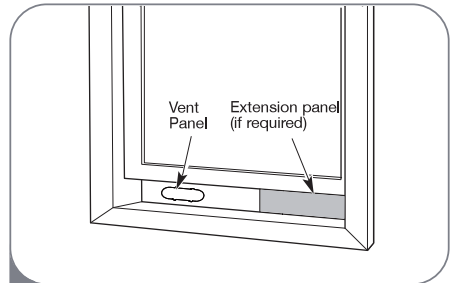
For window openings from 35" to 50", use the window vent panel (Panel A) and extension Panel C and Panel D.

Fig. d

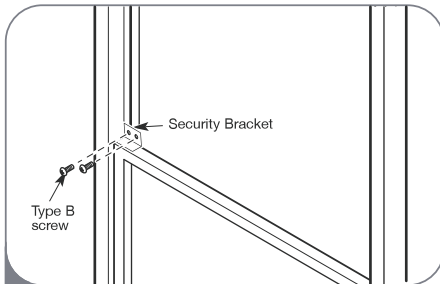
Installing Vent Panels



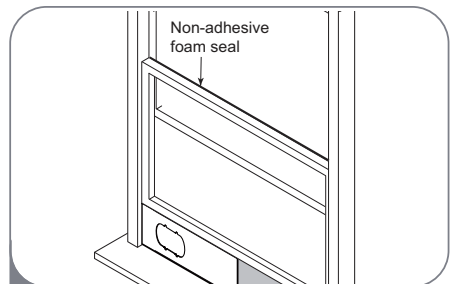
1 Attach the long adhesive foam weather seals to the top and bottom sides of the window vent panel assembly. Attach the short foam weather seals to the right and left sides of the panel assembly. (Attaching the foam weather seals to the panel assembly rather than the window sash and frame makes for easier cleanup when removing the panel assembly.)



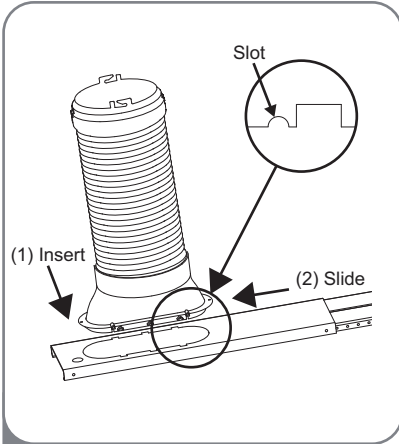
2 Insert the panel assembly in the bottom sash channel. Use care when installing the assembly, which will now fit very tightly in the opening. Close the sash tightly against the top of the panel assembly.



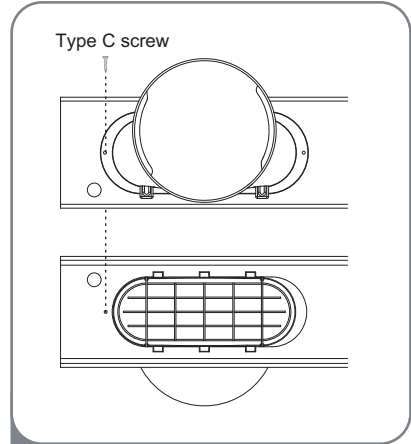
3 If needed, install the included security bracket with type B screws.



4 Measure and cut the included non-adhesive foam to fit the window opening. Stuff it between the window sashes to prevent air and insects from getting into the room.



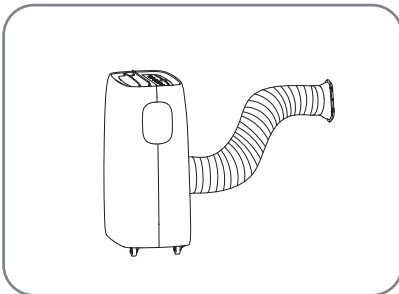
5 Align the tabs on the diffuser with the slots in the vent panel. Insert the diffuser into the opening in the vent panel and slide the diffuser all the way over to lock the tabs in place. Position the diffuser with the round opening above the bottom of the vent panel to avoid interference from the window sill.



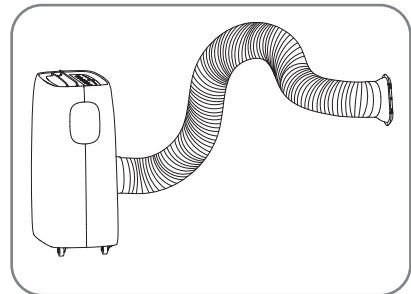
6 Insert the type C screw in the hole in the diffuser to prevent the diffuser from sliding out of the vent opening. If the diffuser is positioned correctly, the screw should just clear the edge of the opening in the vent panel. You should not have to drill through the vent panel.

NOTE

- For a tighter seal, use "no residue" duct tape (not provided) to seal any gaps around the installed panel assembly, around the diffuser, and between the sashes.
- For best results, keep the vent hose as short and straight as possible. However, shape the diffuser end of the vent hose into an inverted U shape just inside the window to allow any rain or condensation to drain out the window.



Best positioning



Inverted U shape

Drain Hose Installation for Heating (On Some Models)

CAUTION

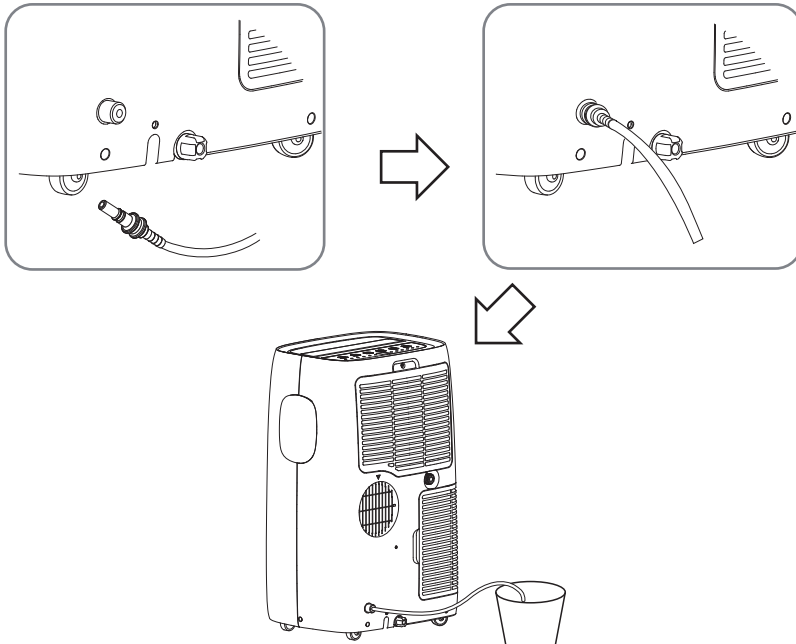
- If you use the Heat mode, you must install the drain hose. If only the Cool mode is used, the drain hose is not needed.
- If the outside temperature is at or near freezing 32 °F (0 °C) follow the indoor drainage instructions.
- When the weather is above freezing, the unit can be set up to drain to the outside. Make sure the outlet of the hose is aimed away from nearby surfaces that could be stained or damaged by the draining water.

Indoor Drainage

1. To attach the drain hose, insert the connector into the pump drain port at the back of the unit until it snaps into place.
2. Place the other end of the drain hose in a bucket that holds at least 28 ounces. Remember to check and empty the bucket frequently to avoid overflows.
3. To detach the drain hose from the product, push the outer ring of the pump drain port in and pull the connector out.

NOTE

- Inserting the drain hose into the unit will automatically activate the drain function.

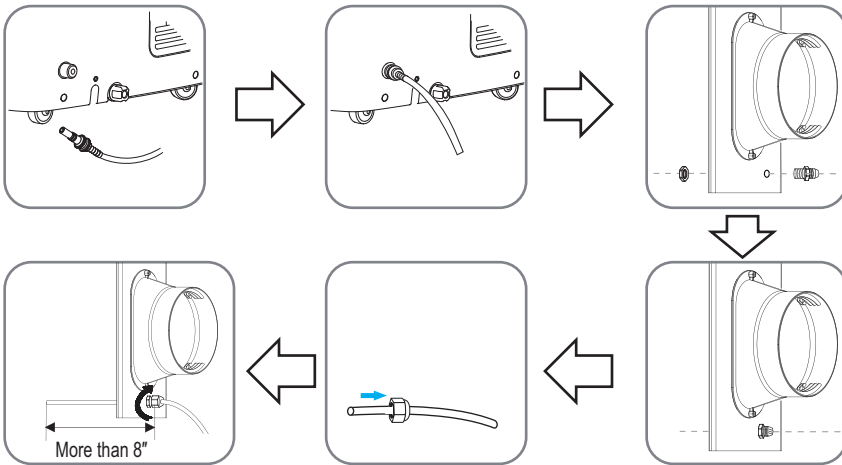


Outdoor Drainage

1. To attach the drain hose, insert the connector into the pump drain port at the back of the unit until it snaps into place.
2. Unscrew the nut at the bottom of the locking nut. Insert the locking nut into the hole in the front of the window vent panel and reassemble the nut. Unscrew the top part of the locking nut until you can easily insert the drain hose through the opening.
3. Make sure to insert the drain hose at least 8 inches (20 cm).
4. Turn the top of the locking nut to tighten it and secure the drain hose in place.
5. To detach the drain hose from the product, push the outer ring of the pump drain port in and pull the connector out.

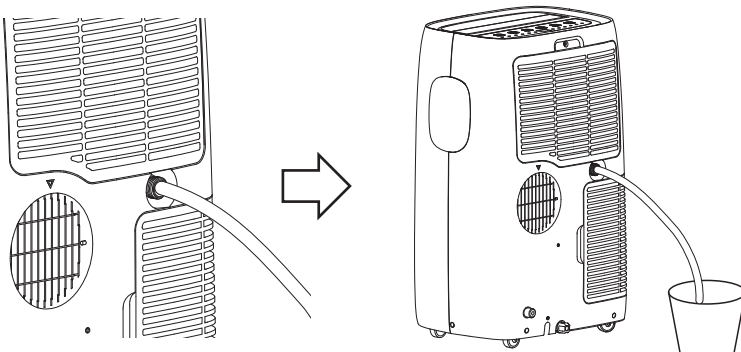
NOTE

- Inserting the drain hose in the unit will automatically activate the drain function.



Garden Hose Installation for Dehumidifying (Dry Mode Only)

1. Remove the drain plug when using the Dry (dehumidifying) mode.
2. Install a 1/2" (12.7 mm) inside diameter garden hose (not provided) into the continuous drain port and place the open end of the hose over a floor drain or bucket.

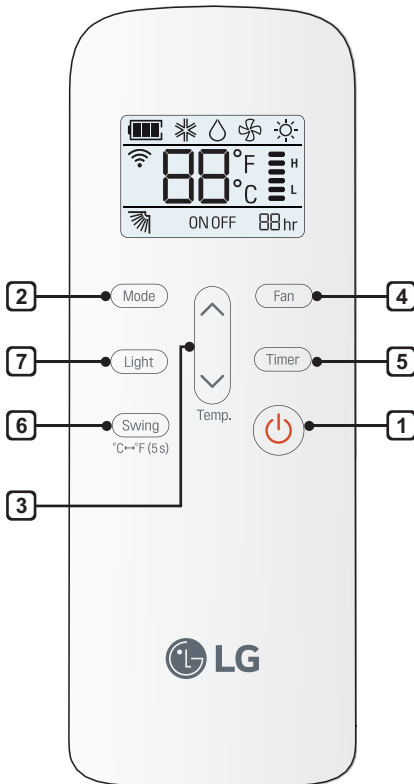
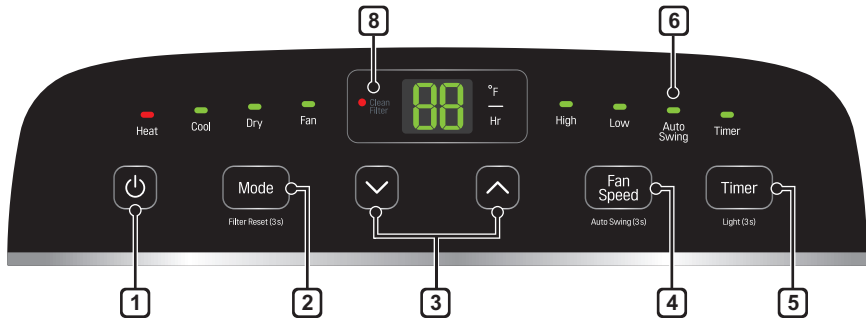


NOTE

- Install the garden hose when you need dehumidification in high humidity.
- This product has a self-evaporative system. The condensing water will be recycled to cool the condenser. This not only improves cooling efficiency, but also saves energy for you.

OPERATION

Control Panel and Remote Control



1 Power (⏻)

Turns the air conditioner on and off.

A chime sounds to confirm you have turned it on or off.

2 Mode

Press this button repeatedly to toggle through and select the operating mode. Modes include Cool, Dry (dehumidify), Fan, and Heat. An LED illuminates to indicate the selected mode. The default mode is Cool.

Cool (❄️)

Compressor runs and cools the room. Use the \wedge/\vee and Fan Speed buttons to set the desired temperature and fan speed.

Dry (☁️)

Use the Dry mode to remove humidity from the room without additional cooling. The fan speed is preset and cannot be adjusted.

Fan (🌀)

Fan circulates air but compressor does not run. Use the Fan Speed button to set the desired fan speed to either High or Low.

Heat (☀️)

Compressor runs and heats the room. Use the \wedge/\vee and Fan Speed buttons to set the desired temperature and fan speed.

NOTE

- To protect the compressor, the fan and compressor may stop for a short time if you switch modes from Cool to Heat or vice versa.

NOTE

- Available functions may vary by model.
- The number and location of LEDs on the control panel may vary by model.

3 Temperature Control \wedge/\vee

In Cool, Dry and Heat mode, the \wedge/\vee buttons adjust the set temperature up to 86 °F (30 °C) or down to 60 °F (16 °C), in one-degree increments.

NOTE

- To switch the temperature units on the display between Fahrenheit (°F) and Celsius (°C), press and hold the \wedge and \vee buttons on the control panel at the same time for 5 seconds.

4 Fan Speed

Press repeatedly to toggle the fan speed between High and Low settings. An LED illuminates to indicate the selected fan speed. The fan speed can be changed in the Cool, Fan, and Heat modes. The fan speed is preset in the Dry mode. After pressing the button, there is a brief delay before the fan motor changes speed.

NOTE

- Press and hold the Fan Speed button on the control panel for 3 seconds to set Auto Swing.

5 Timer

Delay ON - When the air conditioner is off, set it to automatically turn on from 1 to 24 hours later, at its previous mode and fan settings.

Delay OFF - When the air conditioner is on, set it to automatically turn off from 1 to 24 hours later.

NOTE

- Each press of the Timer button advances the timer by 1 hour. Once you have finished setting the Delay OFF Timer, the display returns to the temperature setting after a short delay.
- To cancel the Timer function, press the Timer button on control panel.

6 Auto Swing

This function automatically moves the louvers to adjust the direction of the air flow. Press the Auto Swing button repeatedly to select the desired direction.

NOTE

- To switch the temperature units on the display between Fahrenheit (°F) and Celsius (°C), press and hold the Swing button on the remote control for 5 seconds.

7 Light

Sets the display screen brightness:

On \rightarrow Dim \rightarrow Off
 \uparrow \leftarrow

NOTE

- Press and hold the Timer button on the control panel for 3 seconds to adjust the brightness.

8 Clean Filter

The Clean Filter LED lights up to notify you that the filter needs to be cleaned. After cleaning the filter, press and hold the Mode button on the control panel for 3 seconds to turn off the Clean Filter light.

NOTE

- The filter reset must be done using the control panel, not the remote control.
- This feature is a reminder to clean the air filter for more efficient operation. The LED light turns on after 250 hours of operation.

MAINTENANCE

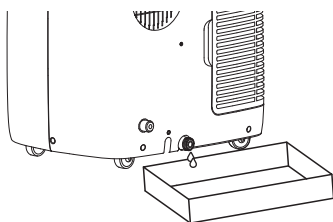
WARNING

Before cleaning or performing maintenance, unplug the product and wait until the fan stops.

Emptying the Water Collection Tank

When the internal water collection tank is full, the LED display will show FL and the air conditioner will turn off until the tank is emptied.

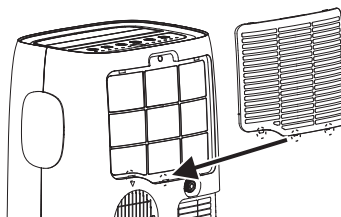
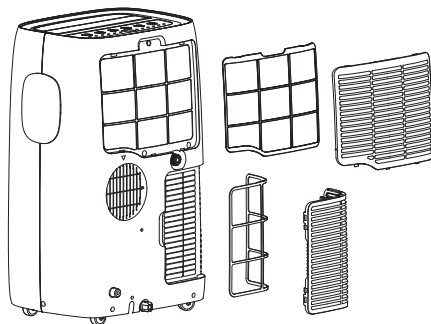
- Unplug the air conditioner, disconnect the exhaust hose from the back, and move the air conditioner to a suitable drain location or outdoors. You may also place a pan under the drain that will hold up to 2 pints of water.
- Remove the drain cap from the bottom drain outlet.
- Once the water collection tank is drained, reinstall the drain cap, making sure it is on securely.
- Place the air conditioner in the desired location, reconnect the exhaust hose, and plug in the air conditioner.



Cleaning the Air Filter

The air filters should be cleaned every two weeks. Depending on indoor air quality, more frequent cleaning may be needed. A dirty air filter will decrease airflow and reduce efficiency.

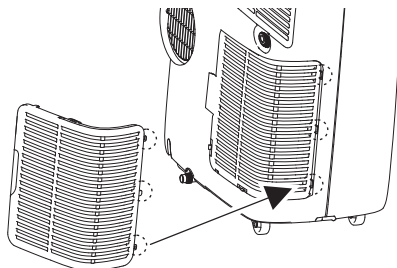
1. Pull out each air filter by the handle.
2. Use a vacuum cleaner to clean the filters. If the filters are heavily soiled, they can be washed in warm water using a mild detergent.
 - Do not use harsh cleaners or very hot water.
 - Do not wash in a dishwasher.
3. Dry the filters in the shade.
4. Reinsert the filters.



Cleaning the Case

Wipe the case with a slightly damp cloth, then wipe dry with a dry cloth or towel.

- To prevent damage to the finish, do not use gasoline, benzene, thinners or any abrasive cleansers to clean the air conditioner.
- Never pour water onto or into the air conditioner. It could damage internal components and create a shock and fire hazard.



TROUBLESHOOTING

Before Calling for Service

The appliance is equipped with an automatic error-monitoring system to detect and diagnose problems at an early stage. If the appliance does not function properly or does not function at all, check the following before you call for service.

Problem	Possible Cause	Solutions
Air conditioner does not start.	The air conditioner is unplugged.	Make sure the air conditioner plug is pushed completely into the outlet.
	The fuse is blown/circuit breaker is tripped.	Check the house fuse/circuit breaker box and replace the fuse or reset the breaker.
	Power failure.	If power failure occurs, turn the mode control to off. When power is restored, wait 3 minutes to restart the air conditioner to prevent tripping of the compressor overload.
	The current interrupter device is tripped.	Press the RESET button located on the power cord plug. If the RESET button will not stay engaged, discontinue use of the air conditioner and contact a qualified service technician.
	FL appears in the display.	The water collection tank is full. Drain the tank and reset your settings.
	Mode switched from Cool to Heat or vice versa.	To protect the compressor, the fan and compressor will momentarily stop if you switch modes from Cool to Heat or vice versa. After a few minutes, the product will resume operating in the new mode.
Air conditioner does not cool as it should.	Airflow is restricted.	Make sure there are no curtains, blinds, or furniture blocking the front of the air conditioner.
	The temp control may not be set correctly.	Set the desired temperature to a level lower than the current temperature.
	The air filter is dirty.	Clean the filter at least every 2 weeks. See the 'MAINTENANCE' section.
	The room may have been hot.	When the air conditioner is first turned on, you need to allow time for the room to cool down.
	Cold air is escaping.	Check for open furnace floor registers and cold air returns.
	Cooling coils have iced up.	See 'Air conditioner freezing up' below.

Problem	Possible Cause	Solutions
Air conditioner freezing up.	The cooling coils are iced over.	Ice may block the air flow and obstruct the air conditioner from properly cooling the room. Set the mode control at High Fan or High Cool .
Water collects in base pan.	Moisture removed from air and drains into base pan.	This is normal for a short period in areas with little humidity; normal for a longer period in very humid areas.
Air conditioner turns on and off rapidly.	Dirty air filter - air restricted.	Clean air filter.
	Outside temperature extremely hot.	Refer to installation instructions or check with installer.
Noise when unit is cooling.	Air movement sound.	This is normal. If too loud, adjust the fan speed to low.
Remote sensing deactivating prematurely.	Remote control not located within range.	Place remote control within 20 feet & 120° radius of the front of the unit.
	Remote control signal obstructed.	Remove obstruction.
Room too cold.	Set temperature too low.	Increase set temperature.

NOTE

- If you see "CH" in the display, please call 1-800-243-0000.

WARRANTY

WHAT THIS WARRANTY COVERS:

LG Electronics U.S.A., Inc. ("LG") warrants your LG Portable Air Conditioner ("product") against defect in materials or workmanship under normal household use, during the warranty period set forth below, LG will, at its option, repair or replace the product. This limited warranty is valid only to the original retail purchaser of the product, is not assignable or transferrable to any subsequent purchaser or user, and applies only when the product is purchased through an LG authorized dealer or distributor and used within the United States ("U.S.") including U.S. Territories.

NOTE

- Replacement products and repair parts may be new or factory-remanufactured and are warranted for the remaining portion of the original unit's warranty period or ninety (90) days, whichever is longer. Please retain dated receipt or delivery ticket as evidence of the Date of Purchase for proof of warranty (you may be required to submit a copy to LG or authorized representative).

WARRANTY PERIOD:

1 year from the Date of Purchase: **Any internal/ functional Parts and Labor**

HOW SERVICE IS HANDLED: In-Home Service

In-home service will be provided during the warranty period subject to availability within the United States. In-home service may not be available in all areas. To receive in-home service, the product must be unobstructed and accessible to service personnel. If during in-home service repair cannot be completed, it may be necessary to remove, repair and return the product. If in-home service is unavailable, LG may elect, at our option, to provide for transportation of our choice to and from an LG authorized service center.

THIS LIMITED WARRANTY DOES NOT COVER:

- Service trips to deliver, pick up, or install the product or for instruction on product use.
- Replacing house fuses or resetting of circuit breakers, correction of house wiring or plumbing, or correction of product installation.
- Damage or failure caused by leaky / broken / frozen water pipes, restricted drain lines, inadequate or interrupted water supply or inadequate supply of air.
- Damage or failure caused by accidents, pests and vermin, lightning, wind, fire, floods or acts of God.
- Damage or failure resulting from misuse, abuse, improper installation, repair or maintenance. Improper repair includes use of parts not approved or specified by LG.
- Damage or failure caused by unauthorized modification or alteration to the product.
- Damage or failure caused by incorrect electrical current, voltage, or plumbing codes.
- Cosmetic damage, including scratches, dents, chips or other damage to the finish of the product, unless such damage results from defects in materials or workmanship and is reported to LG within seven (7) calendar days from the date of delivery.
- Damage or missing items to any display, open box, discounted, or refurbished product.

- Product where the original factory serial numbers have been removed, defaced or changed in any way.
- Repairs when product is used in other than normal and usual household use (e.g. rental, commercial use, offices, or recreational facilities) or contrary to the instructions outlined in the owner's manual.
- The removal and reinstallation of the Product if it is installed in an inaccessible location.

THIS WARRANTY IS IN LIEU OF ANY OTHER WARRANTY, EXPRESS OR IMPLIED, INCLUDING AND WITHOUT LIMITATION TO, ANY WARRANTY OF MERCHANTABILITY OR FITNESS FOR A PARTICULAR PURPOSE. TO THE EXTENT ANY IMPLIED WARRANTY IS REQUIRED BY LAW, THIS WARRANTY IS LIMITED IN DURATION TO THE TERM PERIOD EXPRESSED ABOVE. REPAIR OR REPLACEMENT AS PROVIDED UNDER THIS WARRANTY IS THE EXCLUSIVE REMEDY FOR THE CUSTOMER. NEITHER THE MANUFACTURER NOR ITS U.S. DISTRIBUTOR SHALL BE LIABLE FOR ANY INCIDENTAL, CONSEQUENTIAL, INDIRECT, SPECIAL, OR PUNITIVE DAMAGES OF ANY NATURE, INCLUDING AND WITHOUT LIMITATION TO, LOST REVENUES OR PROFITS, OR ANY OTHER DAMAGE, WHETHER BASED IN CONTRACT, TORT, OR OTHERWISE.

Some states do not allow the exclusion or limitation of incidental or consequential damages or limitations on how long an implied warranty lasts, so the above exclusion or limitation may not apply to you. This warranty gives you specific legal rights and you may also have other rights that vary from state to state.

HOW TO OBTAIN WARRANTY SERVICE & ADDITIONAL INFORMATION:

Call 1-800-243-0000 or visit our website at www.lg.com.

Mail to: LG Customer Information Center (ATTN: CIC)
201 James Record Road, Huntsville, AL 35824

FOR YOUR RECORDS

Write the model and serial numbers here:

Model No. _____

Serial No. _____

- You can find them on a label on the side of each unit.

Dealer's Name _____

Date Purchased _____

- Staple your receipt to this page in the event you need it to prove date of purchase or for warranty issues.

ARBITRATION NOTICE: THIS LIMITED WARRANTY CONTAINS AN ARBITRATION PROVISION THAT REQUIRES YOU AND LG TO RESOLVE DISPUTES BY BINDING ARBITRATION INSTEAD OF IN COURT, UNLESS YOU CHOOSE TO OPT OUT. IN ARBITRATION, CLASS ACTIONS AND JURY TRIALS ARE NOT PERMITTED. PLEASE SEE THE SECTION TITLED "PROCEDURE FOR RESOLVING DISPUTES" BELOW.

PROCEDURE FOR RESOLVING DISPUTES:

ALL DISPUTES BETWEEN YOU AND LG ARISING OUT OF OR RELATING IN ANY WAY TO THIS LIMITED WARRANTY OR THE PRODUCT SHALL BE RESOLVED EXCLUSIVELY THROUGH BINDING ARBITRATION, AND NOT IN A COURT OF GENERAL JURISDICTION. BINDING ARBITRATION MEANS THAT YOU AND LG ARE EACH WAIVING THE RIGHT TO A JURY TRIAL AND TO BRING OR PARTICIPATE IN A CLASS ACTION.

Definitions. For the purposes of this section, references to "LG" mean LG Electronics U.S.A., Inc., its parents, subsidiaries and affiliates, and each of their officers, directors, employees, agents, beneficiaries, predecessors in interest, successors, assigns and suppliers; references to "dispute" or "claim" shall include any dispute, claim or controversy of any kind whatsoever (whether based in contract, tort, statute, regulation, ordinance, fraud, misrepresentation or any other legal or equitable theory) arising out of or relating in any way to the sale, condition or performance of the product or this Limited Warranty.

Notice of Dispute. In the event you intend to commence an arbitration proceeding, you must first notify LG in writing at least 30 days in advance of initiating the arbitration by sending a letter to LG at LG Electronics, USA, Inc. Attn: Legal Department- Arbitration 1000 Sylvan Ave, Englewood Cliffs 07632. You and LG agree to engage in good faith discussions in an attempt to amicably resolve your claim. The notice must provide your name, address, and telephone number; identify the product that is the subject of the claim; and describe the nature of the claim and the relief being sought. If you and LG are unable to resolve the dispute within 30 days, either party may proceed to file a claim for arbitration.

Agreement to Binding Arbitration and Class Action Waiver. Upon failure to resolve the dispute during the 30 day period after sending written notice to LG, you and LG agree to resolve any claims between us only by binding arbitration on an individual basis, unless you opt out as provided below. Any dispute between you and LG shall not be combined or consolidated with a dispute involving any other person's or entity's product or claim. More specifically, without limitation of the foregoing, any dispute between you and LG shall not under any circumstances proceed as part of a class or representative action. Instead of arbitration, either party may bring an individual action in small claims court, but that small claims court action may not be brought on a class or representative basis.

Arbitration Rules and Procedures. To begin arbitration of a claim, either you or LG must make a written demand for arbitration. The arbitration will be administered by the American Arbitration Association ("AAA") and will be conducted before a single arbitrator under the AAA's Consumer Arbitration Rules that are in effect at the time the arbitration is initiated (referred to as the "AAA Rules") and under the procedures set forth in this section. The AAA Rules are available online at www.adr.org/consumer. Send a copy of your written demand for arbitration, as well as a copy of this provision, to the AAA in the manner described in the AAA Rules. You must also send a copy of your written demand to LG at LG Electronics, USA, Inc. Attn: Legal Department- Arbitration 1000 Sylvan Avenue Englewood Cliffs, NJ 07632. If there is a conflict between the AAA Rules and the rules set forth in this section, the rules set forth in this section will govern. This arbitration provision is governed by the Federal Arbitration Act. Judgment may be entered on the arbitrator's award in any court of competent jurisdiction. All issues are for the arbitrator to decide, except that issues relating to the scope and enforceability of the arbitration provision and to the arbitrability of the dispute are for the court to decide. The arbitrator is bound by the terms of this provision.

Governing Law. The law of the state of your residence shall govern this Limited Warranty and any disputes between us except to the extent that such law is preempted by or inconsistent with applicable federal law.

Fees/Costs. You do not need to pay any fee to begin an arbitration. Upon receipt of your written demand for arbitration, LG will promptly pay all arbitration filing fees to the AAA unless you seek more than \$25,000 in damages, in which case the payment of these fees will be governed by the AAA Rules. Except as otherwise provided for herein, LG will pay all AAA filing, administration and arbitrator fees for any arbitration initiated in accordance with the AAA Rules and this arbitration provision. If you prevail in the arbitration, LG will pay your attorneys' fees and expenses as long as they are reasonable, by considering factors including, but not limited to, the purchase amount and claim amount. Notwithstanding the foregoing, if applicable law allows for an award of reasonable attorneys' fees and expenses, an arbitrator can award them to the same extent that a court would. If the arbitrator finds either the substance of your claim or the relief sought in the demand is frivolous or brought for an improper purpose (as measured by the standards set forth in Federal Rule of Civil Procedure 11(b)), then the payment of all arbitration fees will be governed by the AAA Rules. In such a situation, you agree to reimburse LG for all monies previously disbursed by it that are otherwise your obligation to pay under the AAA Rules. Except as otherwise provided for, LG waives any rights it may have to seek attorneys' fees and expenses from you if LG prevails in the arbitration.

Hearings and Location. If your claim is for \$25,000 or less, you may choose to have the arbitration conducted solely on the basis of (1) documents submitted to the arbitrator, (2) through a telephonic hearing, or (3) by an in-person hearing as established by the AAA Rules. If your claim exceeds \$25,000, the right to a hearing will be determined by the AAA Rules. Any in-person arbitration hearings will be held at a location within the federal judicial district in which you reside unless we both agree to another location or we agree to a telephonic arbitration.

Opt Out. You may opt out of this dispute resolution procedure. If you opt out, neither you nor LG can require the other to participate in an arbitration proceeding. To opt out, you must send notice to LG no later than 30 calendar days from the date of the first consumer purchaser's purchase of the product by either: (i) sending an e-mail to optout@lge.com, with the subject line: "Arbitration Opt Out" or (ii) calling 1-800-980-2973. You must include in the opt out e-mail or provide by telephone: (a) your name and address; (b) the date on which the product was purchased; (c) the product model name or model number; and (d) the serial number (the serial number can be found (i) on the product; or (ii) online by accessing <https://www.lg.com/us/support/repair-service/schedule-repair-continued> and clicking on "Find My Model & Serial Number").

You may only opt out of the dispute resolution procedure in the manner described above (that is, by e-mail or telephone); no other form of notice will be effective to opt out of this dispute resolution procedure. Opting out of this dispute resolution procedure will not affect the coverage of the Limited Warranty in any way, and you will continue to enjoy the full benefits of the Limited Warranty. If you keep this product and do not opt out, then you accept all terms and conditions of the arbitration provision described above.

MANUAL DEL PROPIETARIO

AIRE ACONDICIONADO

Lea detenidamente el manual del propietario antes de poner el electrodoméstico en funcionamiento y consérvelo a mano en todo momento para su referencia.

TIPO: AIRE ACONDICIONADO PORTÁTIL

LP0820WSR
LP1020WSR
LP1220GSR
LP1420BSR
LP1420BHR

www.lg.com

TABLA DE CONTENIDOS

3 INSTRUCCIONES DE SEGURIDAD

- 3 INSTRUCCIONES IMPORTANTES DE SEGURIDAD

7 DESCRIPCIÓN GENERAL DEL PRODUCTO

- 7 Piezas y componentes clave

8 INSTALACIÓN

- 8 Información eléctrica
- 9 Antes de instalar el aire acondicionado
- 9 Control remoto inalámbrico
- 10 Contenido del kit de instalación
- 10 Elección de ubicación para la instalación
- 11 Ensamblando el conjunto de manguera flexible de ventilación
- 11 Cómo conectar el conjunto de manguera flexible de ventilación
- 12 Panel de ventilación y extensiones de la ventana
- 13 Instalación de paneles de ventilación
- 15 Instalación de la manguera de drenaje para calefacción (en algunos modelos)
- 16 Instalación de manguera de jardín para Deshumidificación (solo modo Secar)

17 FUNCIONAMIENTO

- 17 Panel de control y control remoto

19 MANTENIMIENTO

- 19 Cómo vaciar el tanque de recolección de agua
- 19 Cómo limpiar la cubierta
- 19 Cómo limpiar el filtro de aire

20 SOLUCIÓN DE PROBLEMAS

- 20 Antes de llamar al servicio técnico

22 GARANTÍA

- 22 GARANTÍA
- 24 AVISO DE ARBITRAJE

INSTRUCCIONES DE SEGURIDAD

LEA TODAS LAS INSTRUCCIONES ANTES DE UTILIZAR

Su seguridad y la de los demás son muy importantes.

Tanto en este manual como en el equipo, hemos proporcionado muchos mensajes de seguridad importantes. Siempre debe leer y respetar todos los mensajes de seguridad.



Este es el símbolo de alerta de seguridad.

Este símbolo le advierte sobre posibles riesgos que pueden ocasionar lesiones o la muerte a usted o a otros.

El símbolo de alerta de seguridad siempre estará acompañado de las palabras "ADVERTENCIA" o "PRECAUCIÓN" y seguido de un mensaje de seguridad importante.

Estos términos significan lo siguiente:



ADVERTENCIA

Podría sufrir lesiones graves o la muerte si no sigue las instrucciones.



PRECAUCIÓN

Puede resultar lesionado o causar daño al producto si no sigue las instrucciones.

Todos los mensajes de seguridad le indicarán cuál es el riesgo potencial, le indicarán cómo reducir la probabilidad de lesiones y le proporcionarán información sobre qué podría suceder si no se siguen las instrucciones.

INSTRUCCIONES IMPORTANTES DE SEGURIDAD



ADVERTENCIA

Para disminuir el riesgo de explosiones, incendios, descargas eléctricas, quemaduras, lesiones o muerte para las personas que usen este artefacto, siga las precauciones básicas, incluidas las siguientes:

INSTALACIÓN

- Antes de ser utilizado, este artefacto debe ser correctamente instalado, conforme a lo descrito en este manual.
- Póngase en contacto con el técnico de servicio autorizado para reparar o mantener esta unidad.

- Cuando sea necesario sustituir el cable de alimentación, el trabajo de sustitución deberá realizarlo personal autorizado utilizando únicamente piezas de repuesto originales.
- El trabajo de instalación debe realizarlo el estándar estadounidense National Electrical Code (NEC).
- Debe conectarse a un circuito de alimentación de clasificación y tamaño adecuados y debidamente protegido para evitar la sobrecarga eléctrica.
- Enchúfelo siempre a una toma conectada a tierra.
- No corte ni quite la tercera clavija (tierra) del enchufe del cable de alimentación bajo ninguna circunstancia.
- Cuando traslade o instale el aparato, tenga especial cuidado en no apretar, aplastar o dañar el cable de alimentación.
- Conecte el enchufe del cable de alimentación correctamente.
- No modifique ni extienda el cable de alimentación.
- No ponga en marcha ni detenga el aparato enchufando o desenchufando el cable de alimentación.
- Utilice un circuito exclusivo.
- No desmonte ni modifique el producto.
- Cumpla con todos los procedimientos de seguridad del sector recomendados, incluido el uso de guantes de manga larga y gafas de seguridad.
- Tenga cuidado al desembalar e instalar. Los bordes del producto pueden estar afilados.
- Desconecte el cable de alimentación o el disyuntor antes de instalar el aparato o realizar operaciones de servicio técnico.
- Mantenga los materiales de embalaje fuera del alcance de los niños. Estos materiales pueden suponer un riesgo de asfixia para los niños.
- Almacene e instale el producto en lugares en los que no esté expuesto a temperaturas bajo cero ni a la intemperie.
- No almacene ni use gasolina u otros líquidos o vapores inflamables cerca de este artefacto ni de ningún otro.

FUNCIONAMIENTO

- Use el artefacto únicamente para el fin previsto.
- Nunca intente operar este artefacto si se encuentra dañado, si no funciona correctamente, si no está ensamblado por completo o si tiene piezas faltantes o rotas, incluido un cable o enchufe dañado.
- Repare o reemplace de inmediato todos los cables de alimentación deshilachados o dañados de otra forma. No use un cable que exhiba roturas o abrasión en su longitud o en sus extremos.
- No pase cables bajo alfombras ni esterillas donde pueda pisarse y dañarse.
- No coloque cables bajo objetos pesados como mesas o sillas.
- No coloque el cable de alimentación cerca de fuentes de calor.
- No utilice adaptadores ni enchufe el producto a una toma compartida.
- No utilice indebidamente los controles.
- Si detecta un sonido extraño, olor a quemado o a químico, o humo provenientes del artefacto, desconéctelo de inmediato y contáctese con un Centro de Información al Cliente de LG Electronics.
- Nunca desconecte el artefacto tirando del cable de alimentación. Sujete siempre con firmeza el enchufe y tire derecho para extraerlo del tomacorriente.
- No sujete el cable de alimentación ni toque los controles del artefacto con las manos húmedas.
- Los niños y las personas con discapacidad no deben utilizar el acondicionador de aire sin supervisión.
- Se debe supervisar a los niños para asegurarse de que no jueguen con el acondicionador de aire.

- Si entra agua en el producto, interrumpa la alimentación del circuito principal y, a continuación, desenchufe el producto y llame al servicio técnico.
- Si el producto se ha mojado accidentalmente, comuníquese con el Centro de Información al Cliente de LG Electronics para que le den instrucciones antes de reanudar el uso.
- Desenchufe el producto si no se va a utilizar durante períodos largos.
- Desenchufe el producto antes de limpiar.
- Si se produce una fuga de gas (propano, etc.), no utilice ni este ni ningún otro aparato. Abra una ventana o una puerta para ventilar la zona inmediatamente.
- Este artefacto no ha sido diseñado para ser utilizado por personas con capacidades físicas, sensoriales o mentales disminuidas (incluidos niños) o que no cuenten con la experiencia o los conocimientos necesarios para operarlo, salvo que una persona responsable de su seguridad les brinde la supervisión o la instrucción pertinente en cuanto al uso del artefacto.
- Para limpiar el interior, comuníquese con un distribuidor o el Centro de Información al Cliente de LG Electronics. El uso de detergentes fuertes puede causar corrosión o daños en la unidad.
- No utilice detergentes con disolventes en el producto. Hacerlo puede causar corrosión o daños, el fallo del producto, una descarga eléctrica o un incendio.

INSTRUCCIONES DE CONEXIÓN A TIERRA

- El cable de alimentación de este aparato está equipado con un enchufe de tres clavijas (tierra). Utilícelo en una toma de pared estándar de tres ranuras (tierra) para reducir al mínimo el peligro de descarga eléctrica. Solicitar a un electricista cualificado que revise la toma de la pared y el circuito para asegurarse de que la toma esté correctamente conectada a tierra. **NO CORTE NI quite la TERCERA CLAVIJA (TIERRA) DEL ENCHUFE DEL CABLE DE ALIMENTACIÓN.**
 - Situaciones en las que el aparato se desconecta ocasionalmente; Debido a posibles riesgos para la seguridad, recomendamos encarecidamente no utilizar enchufes adaptadores. Sin embargo, si desea utilizar un adaptador, puede establecer una CONEXIÓN TEMPORAL. Utilice adaptadores aprobados por UL, disponibles en la mayoría de las ferreterías. La ranura grande del adaptador debe alinearse con la ranura grande de la toma para garantizar una conexión con la polaridad correcta.
- Conectar el terminal de tierra del adaptador al tornillo de cierre de la toma de la pared no conecta a tierra el aparato a menos que el tornillo de cierre sea de metal y no esté aislado y la toma de la pared se conecte a tierra a través del cableado doméstico. El cliente debe solicitar a un electricista cualificado que revise el circuito para asegurarse de que la toma esté correctamente conectada a tierra.
- Desconecte el cable de alimentación del adaptador sujetando cada uno de estos elementos con una mano. De lo contrario, el terminal de tierra del adaptador podría romperse. NO UTILICE el aparato con un enchufe adaptador roto.
 - Situaciones en las que el aparato se desconecta con frecuencia; No utilice enchufes adaptadores en estas situaciones. Si se desenchufa el cable de alimentación con frecuencia, el terminal de tierra puede romperse. En lugar de utilizar adaptadores, la toma de pared debe sustituirse por una toma de tres ranuras (tierra).



PRECAUCIÓN

Para reducir el riesgo de lesiones leves o moderadas a personas, el mal funcionamiento o daño al producto o propiedad cuando use este producto, siga las precauciones básicas, incluido lo siguiente:

INSTALACIÓN

- Al instalar el producto, tenga cuidado de que los gases de escape o la condensación no produzcan daños materiales a su alrededor.
- Siga escrupulosamente las instrucciones de instalación para evitar vibraciones excesivas o fugas de agua.

FUNCIONAMIENTO

- Este aparato no debe utilizarse como sistema de refrigeración de precisión. No lo utilice para fines especiales como la preservación de mascotas, alimentos, maquinaria de precisión u obras de arte.
- Cuando traslade o instale el aparato, tenga especial cuidado en no apretar, aplastar o dañar el cable de alimentación.
- Asegúrese de que ni la entrada ni la salida de aire estén obstruidas.
- Utilice un paño suave para limpiar el aparato. No utilice ceras, diluyentes ni detergentes fuertes.
- No pise el aparato ni coloque objetos pesados sobre él.
- No utilice el aparato sin instalar correctamente el filtro.
- No beba agua generada por el producto.
- Asegúrese de ventilar bien el ambiente cuando el aire acondicionado y un artefacto calentador (como, por ejemplo, un calefactor) se utilicen simultáneamente.
- Exponerse al flujo de aire directo durante un período prolongado puede ser peligroso para su salud.
- Retire las pilas del control remoto si no lo va a utilizar durante un período prolongado.
- Nunca mezcle diferentes tipos de baterías o baterías viejas y nuevas en el control remoto.
- Deje de usar el control remoto si existe una pérdida de líquido de las baterías. Si su ropa o su piel entran en contacto con el líquido proveniente de la batería, lave con agua limpia.
- Ante la ingesta de líquido proveniente de una batería que pierde, lave el interior de la boca a fondo y consulte a un médico.
- No recargue ni desarme las baterías.

MANTENIMIENTO

- Limpie el filtro cada dos semanas.
- Nunca toque las partes metálicas del aire acondicionado cuando retire el filtro de aire.
- Nunca rocíe el producto con agua ni utilice agentes o disolventes de limpieza fuertes para limpiar el aire acondicionado. Use un paño suave para evitar rayar el exterior.

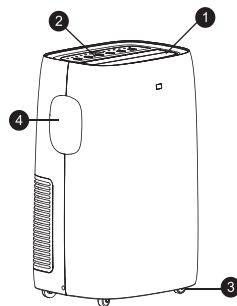
GUARDE ESTAS INSTRUCCIONES

DESCRIPCIÓN GENERAL DEL PRODUCTO

Piezas y componentes clave

1 LA TRANSPIRACIÓN DEL AIRE

La dirección del aire se puede controlar adondequiera que usted necesite frescar por ajustar la lumbreira horizontal. Ajustar arriba y abajo la lumbreira horizontal va a cambiar el fluido vertical.



2 PANEL DE CONTROL Y PANTALLA

La pantalla digital de fácil lectura muestra la temperatura configurada y las luces indicadoras indican el modo de funcionamiento. Los simples botones de presión facilitan y aceleran los cambios de configuración.

3 RUEDAS GIRATORIAS

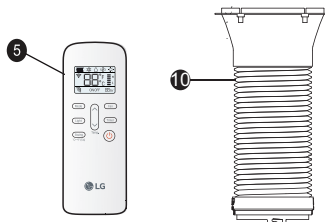
Las ruedas giratorias le permiten desplazar el acondicionador de aire fácilmente sobre la mayoría de las superficies.

4 MANIJAS INTEGRADAS

Las asas integradas proporcionan un agarre conveniente al levantar el aire acondicionado.

5 CONTROL REMOTO INALÁMBRICO

El control remoto le permite ajustar la temperatura y manejar la mayoría de las funciones del acondicionador de aire desde lejos.



6 PUERTO INFERIOR DE DRENAJE

Antes de desplazar la unidad, drene completamente el depósito interno de recogida de agua mediante el puerto inferior de drenaje.

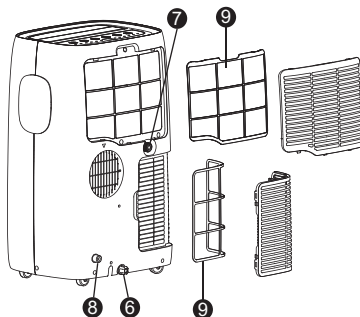


7 PUERTO DE DRENAJE CONTINUO

Conecte una manguera de jardín para un drenaje continuo al encender el aire acondicionado en modo Secar.

8 PUERTO DE DRENAJE DE BOMBA (en algunos modelos)

Conéctelo al puerto de drenaje de bomba para un drenaje de bomba al poner en funcionamiento el aire acondicionado en modo Calefacción.



9 FILTRO DE AIRE

10 MANGUERA Y DIFUSOR

Utilice el difusor y la manguera para conectar el acondicionador de aire al equipo de instalación de la ventana para enviar el aire de salida hacia fuera.

11 MANGUERA DE DRENAJE DE BOMBA (en algunos modelos)

Conéctela al puerto de drenaje de bomba para un drenaje de bomba al poner en funcionamiento el aire acondicionado en modo Calefacción. Consulte la sección Instalación de la manguera de drenaje para calefacción.

NOTA

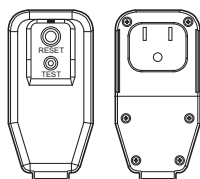
- La función puede cambiar según el tipo de modelo.


INSTALACIÓN

Información eléctrica

El cable de alimentación puede incluir un interruptor de corriente. En la carcasa del enchufe hay un botón de **TEST** (prueba) y otro de **RESET** (restablecer). El dispositivo debe probarse periódicamente pulsando en primer lugar el botón **TEST** y, a continuación, el botón **RESET**. Si el botón **TEST** no funciona o si el botón **RESET** no permanece pulsado, deje de utilizar el acondicionador de aire y póngase en contacto con un técnico de servicio cualificado.

Solo para 120 V



Utilice la toma de la pared	Fuente de alimentación
 <p>Receptáculo de puesta a tierra estándar de 120 V y tres clavijas con valores: 15 A / 120 VAC / 60 Hz</p>	<p>Utilice 15A, fusible de retardo de tiempo o cortacircuitos de 15A.</p>

⚠ ADVERTENCIA

- Este aparato debe instalarse de acuerdo con el estándar estadounidense NEC.
- El uso de alargadores eléctricos puede provocar lesiones graves o la muerte.
 - No utilice alargadores eléctricos con este acondicionador de aire de portátil.
 - No utilice protectores de sobretensión ni adaptadores de varias tomas con este acondicionador de aire de portátil.
- Nunca pulse el botón de **TEST** durante el funcionamiento. Hacerlo podría dañar el enchufe.
 - No quite, modifique ni sumerja este enchufe. Si este dispositivo se activa, debe corregirse la causa antes de volver a utilizar el aparato.

⚠ PRECAUCIÓN

- Los conductores del interior de este cable están rodeados por un blindaje, que controla la corriente residual. Estos blindajes no están conectados a tierra. Examine periódicamente el cable para comprobar que no esté dañado. No utilice este producto si los blindajes quedan expuestos. Evite el peligro de descarga. El usuario no puede encargarse del servicio técnico de esta unidad. No abra la parte sellada antimanipulación. Todas las garantías de rendimiento quedarán anuladas. Esta unidad no debe utilizarse como un interruptor de encendido y apagado.

Antes de instalar el aire acondicionado

PREPARACIÓN PARA LA OPERACIÓN

Lea las Instrucciones de instalación incluidas en este manual antes de usar el acondicionador de aire.

Una vez que el acondicionador de aire se ha montado e instalado correctamente:

- 1 Conecte el cable en su propia fuente de alimentación bien colocada en el suelo. No conecte otros aparatos en la misma fuente, si no, podría causar una sobrecarga de la toma de corriente y crear un peligro de incendio.
- 2 Asegúrese de que el acondicionador de aire y el cable estén ubicados en un lugar donde nadie pueda tropezarse y donde reciban una ventilación adecuada. No lo coloque directamente al lado de muebles u objetos que podría bloquear las aberturas de ventilación.
- 3 Verifique que los elementos que podrían volarse o dañarse por la corriente de aire proveniente del ventilador no se encuentren en el camino de la corriente.

IMPORTANTE:

- No permanezca frente a la corriente de aire del acondicionador de aire por períodos largos.
- Para evitar el daño o lesión a mascotas o plantas, constate que no estén expuestos a la corriente directa del acondicionador de aire.
- Cuando lo use al mismo tiempo con cocinas, chimeneas, u otros dispositivos de combustión, asegúrese de que haya una suficiente corriente de aire fresco en la habitación. **NO** lo use en espacios muy cerrados con esta clase de dispositivos.
- Este acondicionador de aire es para uso doméstico como un artefacto de confort para el consumidor. **NO** lo use como un sistema de control preciso de clima, o para enfriar equipamientos de precisión, alimentos, mascotas, plantas, obras de arte, etc. Dichos elementos podrían dañarse.
- No doble el tubo flexible hacia abajo si no dispone del conjunto de instalación de la ventana. Se puede dañar el sistema de aire acondicionado o se puede deteriorar su funcionamiento.

CÓMO DESEMPACAR EL ACONDICIONADOR DE AIRE

Quite y guarde los materiales de empaque para volverlos a usar.

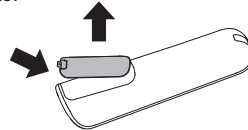
Quite la cinta de embalaje antes de usar el acondicionador de aire. Si la cinta deja restos de adhesivo, frote una pequeña cantidad de jabón líquido y limpie con un paño húmedo. **NO USE** instrumentos afilados, alcohol, solventes, o limpiadores abrasivos para quitar el adhesivo. Podrían arruinar el acabado.

Control remoto inalámbrico

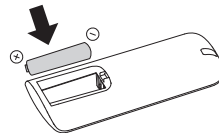
Inserción de las baterías

Si la pantalla del control remoto comienza a hacerse tenue, cambie las baterías. Coloque baterías AAA (1.5 V) antes de utilizar el control remoto.

- 1 Quite la tapa de la parte posterior del control remoto.



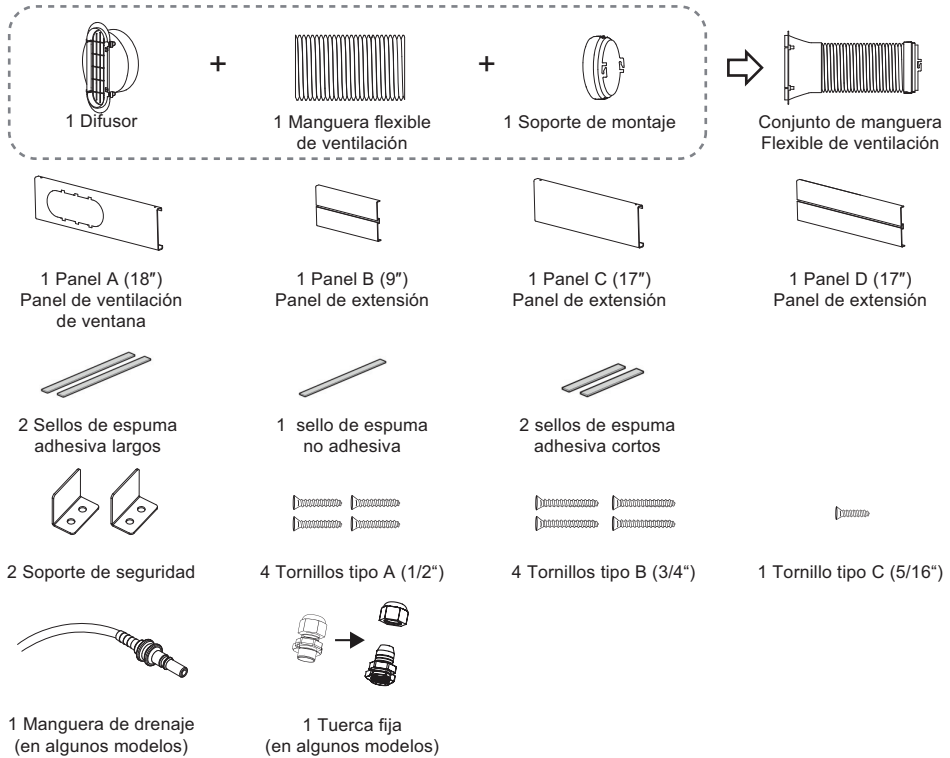
- 2 Coloque las baterías nuevas y asegúrese de que los polos + y - estén ubicados correctamente.



NOTA

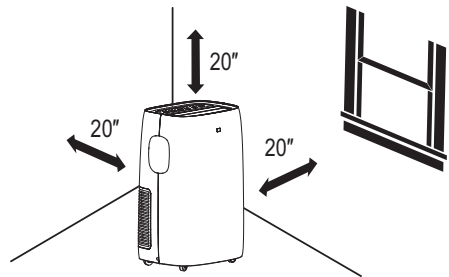
- El acondicionador de aire incluye pilas nuevas para el control remoto.
- No utilice pilas recargables. Asegúrese de que las pilas sean nuevas.
- Para que no se descarguen, saque las pilas del mando a distancia cuando el acondicionador de aire vaya a estar un largo período sin utilizarse.
- Mantenga el control remoto alejado de lugares extremadamente cálidos o húmedos.
- Para que el mando a distancia continúe funcionando correctamente, el sensor remoto no debe exponerse directamente a la luz del sol.
- El control remoto no funcionará correctamente si la unidad está expuesta a la luz directa o si hay algún obstáculo entre la unidad y el control remoto.

Contenido del kit de instalación



Elección de ubicación para la instalación

- 1 Instale la unidad sobre un sitio plano y seco.
- 2 Para lograr un mejor rendimiento, deje al menos 20" de espacio a todos los lados de la unidad para una buena circulación de aire.
- 3 Coloque la unidad cerca de una ventana. La manguera y el difusor se utiliza para conectar el acondicionador de aire para el kit de instalación de la ventana para ventilar fuera de escape de aire.

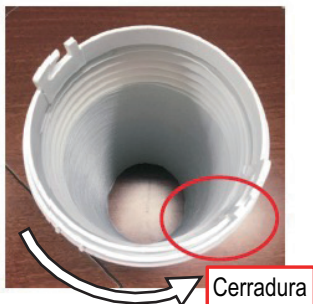


NOTA

La longitud del tubo de escape es designado especialmente de acuerdo a las especificaciones del producto. No lo reemplace ni extienda con una manguera que no esté específicamente diseñada para utilizar con este producto ya que esto podría causar un mal funcionamiento.

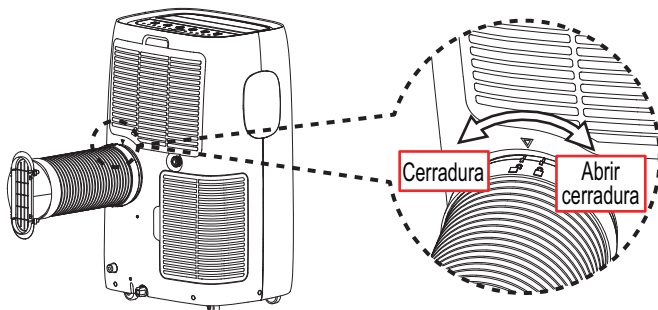
Ensamblando el conjunto de manguera flexible de ventilación

- 1 Para desenvolver el extremo de la Manguera flexible de ventilación se ha doblado.
- 2 Inserte el soporte de montaje en el extremo de la manguera flexible de ventilación, alineando los hilos soporte de montaje con la muesca del manguera flexible de ventilación.
- 3 Gire la soporte de montaje en sentido contrario a las agujas del reloj mediante 5 rotaciones o hasta que el manguera flexible de ventilación esté firmemente sujeto.
- 4 Repita el proceso para adjuntar el difusor al otro extremo del manguera flexible de ventilación.



Cómo conectar el conjunto de manguera flexible de ventilación

Inserte el soporte de montaje y gírelo para bloquearlo en su lugar.

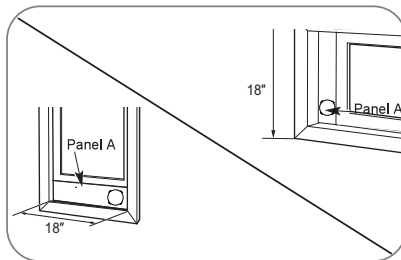
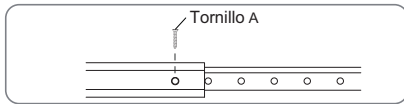


Panel de ventilación y extensiones de la ventana

El kit de instalación de la ventana permite que usted instale los acondicionadores de aire en la mayoría de las ventanas vertical-que resbalan 18" a 50" de par en par, o las ventanas del marco-estilo a partir del 18" a 50" arriba.

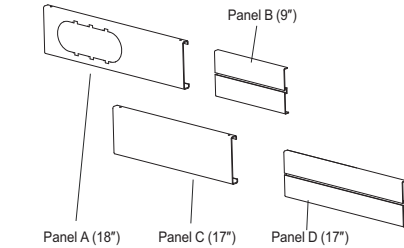
Panel Longitud de la ventana.	A 18"	B 9"	C 17"	D 17"	Fig.
18"	√				a
19" - 26"	√	√			b
27" - 34"	√			√	c
35" - 50"	√		√	√	d

1. Compruebe por favor su longitud de la ventana y eligió los paneles aptos del tabel antedicho.
2. Para aberturas de ventanas más largas, ensamble y ajuste los paneles para que quepan en la abertura de la ventana. Utilice tornillos tipo A (incluidos) para fijar los paneles a la longitud adecuada.



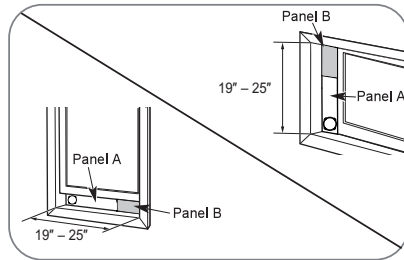
Para 18" la abertura de la ventana, utilice el panel de ventilación de ventana (Panel A) por sí mismo.

Fig. a



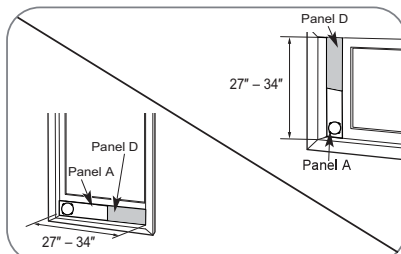
1 Panel de ventilación de ventana 3 Panel de extensión

Equipo de instalación en ventanas (incluye 1 panel de ventilación para ventanas y 3 paneles de extensión)



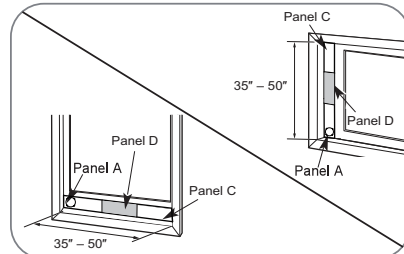
Para las aberturas de la ventana a partir de 19" a 26" utilice el panel de ventilación de ventana (Panel A) y panel de extensión B.

Fig. b



Para las aberturas de la ventana a partir de 27" a 34" utilice el panel de ventilación de ventana (Panel A) y panel de extensión D.

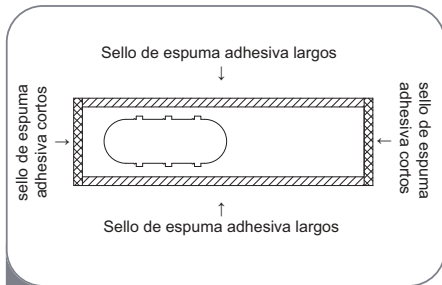
Fig. c



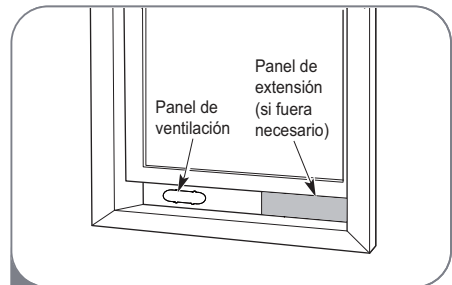
Para las aberturas de la ventana a partir de 35" a 50" utilice el Panel de ventilación de ventana (Panel A) y paneles de extensión C y D.

Fig. d

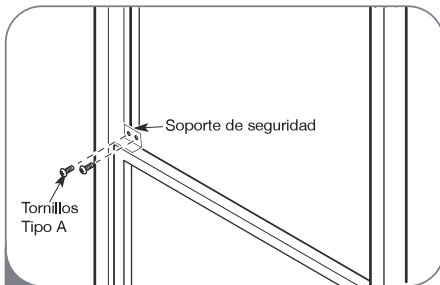
Instalación de paneles de ventilación



- 1** Coloque los burletes de espuma adhesiva largos en los lados superior e inferior del ensamblaje del panel de ventilación de la ventana. Coloque los sellos de espuma cortos a los lados derecho e izquierdo del ensamblaje del panel.
(La colocación de los burletes de espuma en el ensamblaje del panel en lugar de la hoja y el marco de la ventana facilita la limpieza al retirar el ensamblaje del panel).



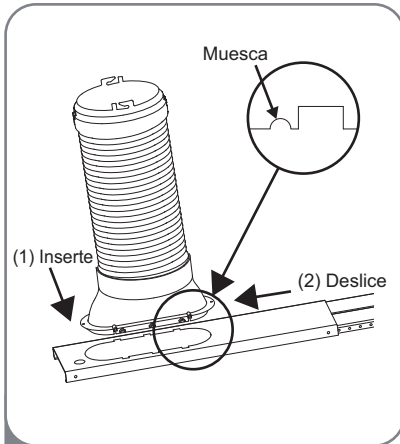
- 2** Inserte el ensamblaje del panel en el canal del marco inferior. Tenga cuidado al instalar el ensamblaje, que ahora encajara muy bien en la abertura. Cierre la hoja firmemente contra la parte superior del ensamblaje del panel.



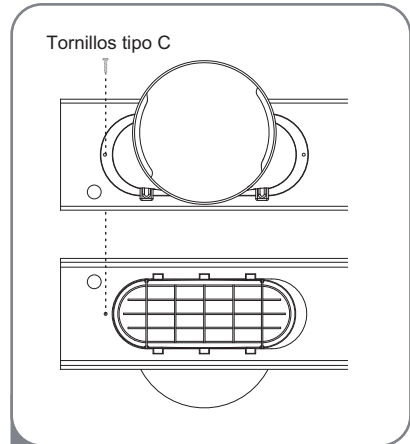
- 3** Instale el soporte de seguridad con un tornillo tipo B, como puede verse.



- 4** Mida y corte la espuma no adhesiva incluida para que se ajuste a la abertura de la ventana. Colóquelo entre los marcos de la ventana para evitar que el aire y los insectos entren en la habitación.



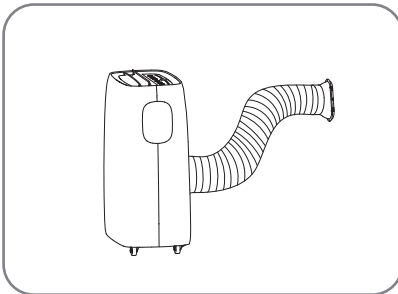
- 5** Alinee las pestañas del difusor con el muescas en el panel de ventilación. Inserte el difusor en la abertura del panel de ventilación y deslice el difusor completamente hacia adentro para bloquear las pestañas en su lugar. Coloque el difusor con la abertura redonda sobre la parte inferior del panel de ventilación para evitar la interferencia del alféizar de la ventana.



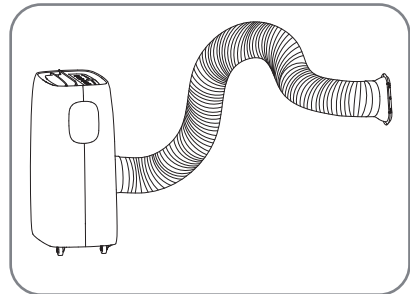
- 6** Si usted desea arreglar el difusor más firmemente, utilice el tornillos tipo C. Si el difusor está colocado correctamente, el tornillo debe despejar el borde de la abertura en el panel de ventilación. No debe tener que perforar a través del panel de ventilación.

NOTA

- Para lograr un sello más apretado, use cinta adhesiva "sin residuos" (no incluida) para sellar cualquier espacio alrededor del ensamblaje del panel instalado, alrededor del difusor, y entre los marcos de la ventana.
- Para obtener los mejores resultados, mantenga la manguera de ventilación lo más corta y recta posible. Sin embargo, moldee el extremo difusor de la manguera de ventilación en forma de U invertida justo dentro de la ventana para permitir que la lluvia o la condensación drene por la ventana.



Mejor posicionamiento



Forma de U invertida

Instalación de la manguera de drenaje para calefacción (en algunos modelos)

PRECAUCIÓN

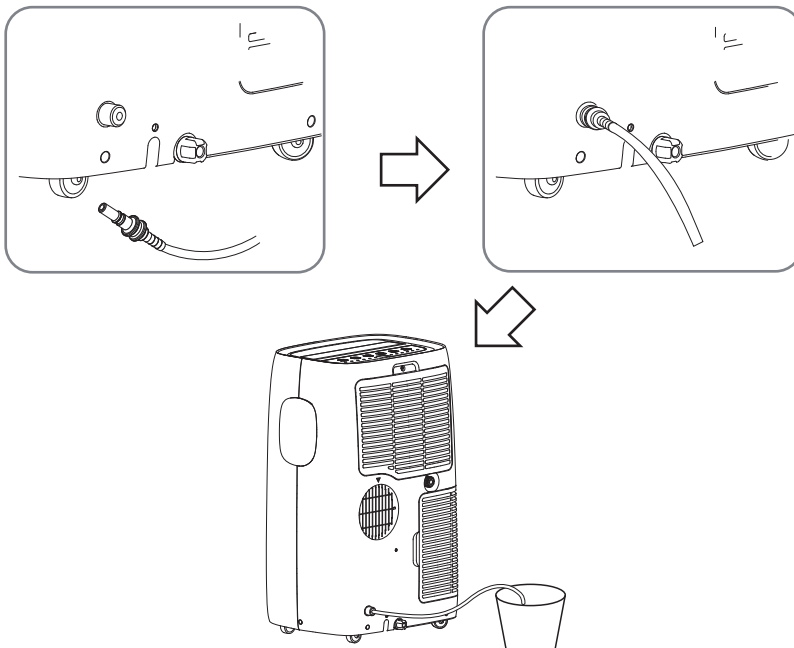
- Si utiliza el modo Heat (Calefacción), debe instalar la manguera de drenaje. Si sólo utiliza el modo Cool (Refrigeración), la manguera de drenaje no es necesaria.
- Si la temperatura exterior está cerca de la congelación 32 °F (0 °C) siga las instrucciones de drenaje en interior.
- Cuando la temperatura esté cerca de la congelación, puede instalar la unidad para que ésta drene al exterior. Asegúrese de que la salida de la manguera esté alejada de superficies cercanas que puedan mancharse o dañarse por el agua drenada.

Drenaje interior

1. Para adherir la manguera de drenaje, inserte el conector al puerto de drenaje de bomba en la parte trasera de la unidad hasta que éste encaje en su lugar.
2. Coloque el otro extremo de la manguera de drenaje en un balde que contenga al menos 28 onzas. Recuerde revisar y vaciar el balde frecuentemente para evitar desbordes.
3. Para separar la manguera de drenaje del producto, empuje el anillo exterior del puerto de drenaje de bomba y tire del conector.

NOTA

- Insertar el tubo de drenaje en la unidad activará automáticamente la función de drenaje.

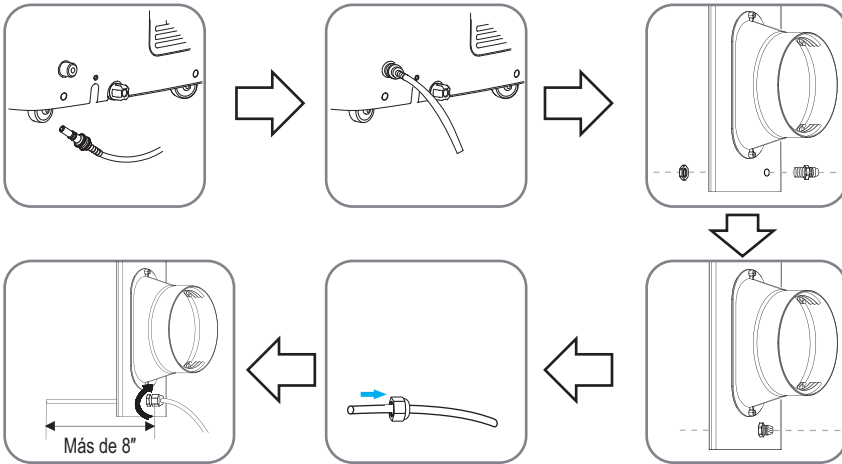


Drenaje exterior

1. Para adherir la manguera de drenaje, inserte el conector al puerto de drenaje de bomba en la parte trasera de la unidad hasta que éste encaje en su lugar.
2. Destornille la tuerca en la parte inferior de la contratuerca. Inserte la contratuerca en el orificio en la parte frontal del panel de ventilación de la ventana y vuelva a ensamblar la tuerca. Desatornille la parte superior de la contratuerca hasta que pueda insertar fácilmente la manguera de drenaje a través de la abertura.
3. Asegúrese de insertar el tubo de drenaje al menos 8 pulgadas.
4. Gire la parte superior de la contratuerca para apretarla y asegurar la manguera de drenaje en su lugar.
5. Para separar la manguera de drenaje del producto, empuje el anillo exterior del puerto de drenaje de bomba y tire del conector.

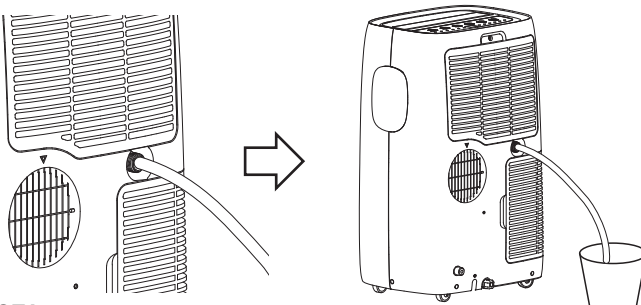
NOTA

- Insertar el tubo de drenaje en la unidad activará automáticamente la función de drenaje.



Instalación de manguera de jardín para Deshumidificación (solo modo Secar)

1. Retire el tapón de drenaje cuando utilice el Modo Secar (deshumidificación).
2. Instale una manguera de jardín de 1/2" (12,7 mm) de diámetro interno (no incluida) en el puerto de drenaje continuo y coloque el extremo abierto de la manguera sobre un balde o desagüe del suelo.

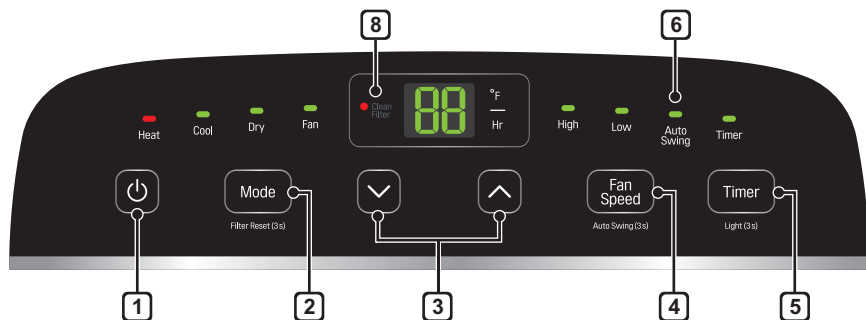


NOTA

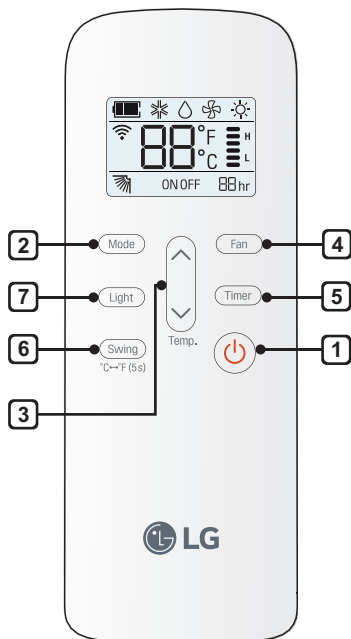
- Instale la manguera de jardín cuando necesite deshumidificación en humedad elevada.
- Este producto tiene un sistema de auto-evaporación. El agua de condensación, se recicla para enfriar el condensador. Esto no sólo puede mejorar la eficiencia de enfriamiento, sino también ahorrar energía para usted.

FUNCIONAMIENTO

Panel de control y control remoto



ESPAÑOL



1 Encendido (⏻)

Enciende y apaga el acondicionador de aire. Al encender, se oirá una señal sonora ascendente para confirmar.

2 Mode (Modo)

Presione este botón repetidamente para alternar y seleccionar el modo operativo. Los modos incluyen Cool (Refrigeración), Dry (Secar)(Deshumidificador), Fan (Ventilador), y Heat (Calefacción). Una luz LED se ilumina para indicar el modo seleccionado. El modo predeterminado es Cool (Refrigeración). Vea la sección de Operación para obtener más información.

Cool (Refrigeración) (❄️)

Se ejecuta el compresor y éste enfría el ambiente. Utilice los botones \wedge/\vee y Fan Speed (Ventilador) para establecer la temperatura deseada y la velocidad del ventilador.

Dry (Secar) (☁️)

Utilice el modo Dry (Secar) para remover la humedad del ambiente sin necesidad de refrigeración adicional. La velocidad del ventilador ha sido preestablecida y no puede ser ajustada.

Fan (Ventilador) (🌀)

El ventilador circula aire pero el compresor no funciona. Utilice el botón Fan Speed para ajustar la velocidad deseada del ventilador a mayor o menor.

Heat (Calefacción) (☀️)

Se ejecuta el compresor y éste enfría el ambiente. Utilice los botones \wedge/\vee y Fan Speed (Ventilador) para establecer la temperatura deseada y la velocidad del ventilador.

NOTA

- Para proteger el compresor, es posible que el ventilador y el compresor se detengan por un lapso breve si alterna entre los modos Refrigeración y Calefacción o viceversa.

NOTA

- Las funciones disponibles pueden variar según el modelo.
- El número y la ubicación de los LED en el panel de control pueden variar según el modelo.

3 Control de temperatura \wedge / \vee

En los modo Cool (Refrigeración), Dry (Secar) y Heat (Calefacción), los botones \wedge / \vee modifican la temperatura desde 86 °F (30 °C) hasta 60 °F (16 °C), en incrementos de un grado.

NOTA

- Para cambiar las unidades de temperatura en la pantalla entre Fahrenheit (°F) y Celsius (°C), mantenga presionados los botones \wedge y \vee en el panel de control al mismo tiempo durante 5 segundos.

4 Fan Speed (Velocidad del ventilador)

Presionando el botón Fan Speed la velocidad del ventilador de circulación pasa de baja a alta. En la pantalla podrá verse la velocidad de ventilador seleccionada. La función puede utilizarse en los modos. Cool (Refrigeración), Fan (Ventilador) y Heat (Calefacción) cuando se cambian las velocidades del ventilador, se produce una pequeña demora antes de que el motor las modifique.

NOTA

- Presione y mantenga presionado el botón Fan Speed (Velocidad del ventilador) en el panel de control durante 3 segundos para configurar Auto Swing (Balanceo).

5 Timer (Temporizador)

Retraso de encendido - cuando el acondicionador de aire esté apagado, configurarlo para que se encienda automáticamente de 1 a 24 horas después, con los ajustes previos de modo y ventilador.

Retraso de apagado - cuando el acondicionador de aire esté apagado, configurarlo para que se apague automáticamente de 1 a 24 horas después.

NOTA

- Cada vez que se pulsa el botón Timer (Temporizador), este avanza 1 hora. Una vez haya terminado de ajustar el temporizador de apagado demorado, la pantalla regresa al ajuste de temperatura luego de una demora breve.
- Para cancelar la función de Timer (Temporizador), presione el botón Timer (Temporizador) en el panel de control.

6 Auto Swing (Balanceo)

Esta función mueve automáticamente las paletas para ajustar la dirección del flujo de aire. Presione el botón Auto Swing (Balanceo) repetidamente para seleccionar la dirección deseada.

NOTA

- Para cambiar las unidades de temperatura en la pantalla entre Fahrenheit (°F) y Celsius (°C), mantenga presionado el botón Swing (Balanceo) en el control remoto durante 5 segundos.

7 Light (Luz)

Establece el brillo de la pantalla:
Encendida → Tenue → Apagada

NOTA

- Mantenga presionado el botón Timer (Temporizador) en el panel de control durante 3 segundos para ajustar el brillo

8 Clean Filter (Limpiar filtro)

El LED Clean Filter se enciende para notificar que debe limpiarse el filtro. Después de limpiar el filtro, mantenga presionado el botón Mode (Modo) en el panel de control durante 3 segundos para apagar la luz de Filtro limpio.

NOTA

- El filtro debe restablecerse utilizando el panel de control, no el control remoto.
- Esta función es un recordatorio para limpiar el filtro de aire y poder utilizar el aparato de un modo más eficiente. El LED se enciende tras 250 horas de uso.

MANTENIMIENTO



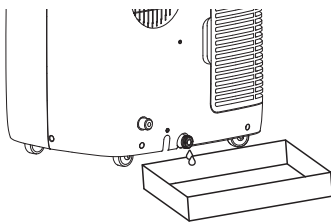
ADVERTENCIA

Antes de limpiar o realizar el mantenimiento, desenchufe el producto y espere hasta que el ventilador se detenga.

Cómo vaciar el tanque de recolección de agua

Cuando el tanque interno de recolección de agua está lleno, la pantalla LED mostrará FL y el aire acondicionado se apagará hasta que el tanque se vacíe.

- Desconecte el aire acondicionado y la manguera de escape de la espalda, y mueva el aire acondicionado a un lugar adecuado de drenaje o al aire libre. Usted también puede colocar un recipiente debajo de la salida de drenaje. Con el cual puede recoger hasta 2 pintas de agua.
- Retire la tapa de drenaje de la salida de drenaje inferior.
- Una vez que el tanque de colección de agua se drene, vuelva a instalar el tapón de drenaje confirmando que está en forma segura.
- Coloque el acondicionado de aire en la ubicación deseada, vuelva a conectar la manguera de escape y enchufe el acondicionado de aire.



Cómo limpiar la cubierta

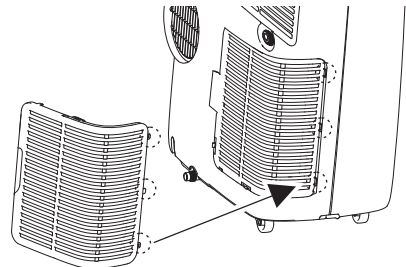
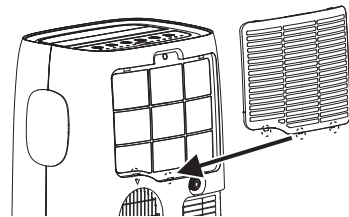
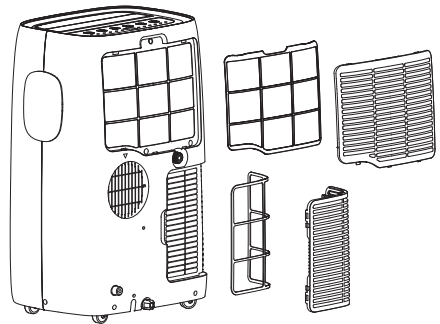
Limpie la cubierta con un paño ligeramente húmedo, luego seque con un paño o toalla.

- Para evitar daños en el acabado, no use gasolina, benceno, disolventes ni limpiadores abrasivos para limpiar el aire acondicionado.
- Nunca vierta agua sobre o dentro de la unidad; podría dañar los componentes internos y generar un peligro de descarga eléctrica o incendio.

Cómo limpiar el filtro de aire

El filtro de aire deben limpiarse cada dos semanas. Dependiendo de la calidad del aire interior, puede necesitarse una limpieza más frecuente. Un filtro de aire sucio disminuye la corriente de aire y reduce la eficiencia.

1. Levante el filtro de aire de la manija.
2. Use una aspiradora para limpiar el filtro. Si el filtro está muy sucio, puede lavarse en agua tibia utilizando un detergente suave.
 - No use limpiadores potentes o agua muy caliente.
 - No lo lave en el lavavajillas.
3. Deje secar el filtro a la sombra.
4. Vuelva a colocar el filtro.



SOLUCIÓN DE PROBLEMAS

Antes de llamar al servicio técnico

El artefacto está equipado con un sistema automático de monitoreo de errores para detectar y diagnosticar problemas en una etapa temprana. Si el artefacto no funciona adecuadamente o si no funciona en absoluto, verifique lo siguiente antes de solicitar servicio técnico.

Problema	Causa posible	Soluciones
El acondicionador de aire no se inicia.	El aire acondicionado está desenchufado.	Asegúrese de que el enchufe del acondicionador de aire esté completamente introducido en la toma.
	El fusible se ha fundido o el disyuntor se ha activado.	Revise la caja de fusibles o de disyuntores de la casa y sustituya el fusible o restablezca el disyuntor.
	Interrupción del suministro eléctrico.	Si se interrumpe el suministro eléctrico, ajuste el control de modo en Off (apagado). Cuando se restablezca el suministro eléctrico, espere 3 minutos para reiniciar el acondicionador de aire; así evitará la sobrecarga del compresor.
	El interruptor de corriente se ha activado.	Pulse el botón RESET del enchufe del cable de alimentación. Si el botón RESET no permanece pulsado, deje de utilizar el acondicionador de aire y póngase en contacto con un técnico de servicio cualificado.
	Aparece FL en la pantalla.	El tanque de recolección de agua está lleno. Drene el tanque y vuelva a configurar.
	Modo alternado entre Refrigeración y Calefacción o viceversa.	Para proteger el compresor, el ventilador y el compresor se detendrán momentáneamente si alterna entre los modos Refrigeración y Calefacción o viceversa. Tras unos minutos, el producto reanudará el funcionamiento en el nuevo modo.
El acondicionador de aire no enfría como debería.	El flujo de aire está limitado.	Asegúrese de que no haya cortinas, persianas ni muebles que bloqueen la parte delantera del acondicionador de aire.
	Es posible que el control de temperatura no esté correctamente ajustado.	Configure la temperatura deseada en un nivel inferior que la temperatura actual.
	El filtro de aire está sucio.	Limpie el filtro al menos cada 2 semanas. Consulte la sección "MANTENIMIENTO" y servicio técnico.
	Es posible que en la habitación haya hecho calor.	La primera vez que se enciende el acondicionador de aire transcurre algún tiempo hasta que la habitación se enfría.
	El aire frío se escapa.	Revise las rejillas del suelo abiertas y el retorno de aire frío.
	Las bobinas de enfriamiento se han congelado.	Consulte más arriba "El acondicionador de aire se congela".

Problema	Causa posible	Soluciones
El acondicionador de aire se congela.	Las bobinas de enfriamiento se han helado.	El hielo puede bloquear el flujo de aire e impedir que el acondicionador de aire enfríe adecuadamente la habitación. Ajuste el control de modo en High Fan o High Cool .
Se acumula agua en la bandeja base.	La humedad eliminada del aire se acumula en la bandeja base.	Esto es normal durante períodos breves en zonas con poca humedad; es normal durante períodos más prolongados en zonas muy húmedas.
El acondicionador de aire se enciende y apaga rápidamente.	Filtro de aire sucio: aire limitado.	Limpie el filtro de aire.
	Temperatura exterior extremadamente alta.	Consulte las instrucciones de instalación o al instalador.
Hay ruido cuando la unidad enfría.	Sonido de movimiento de aire.	Esto es normal. Si es demasiado alto, ajustar la velocidad del ventilador baja.
El sensor remoto se desactiva prematuramente.	El mando a distancia no tiene cobertura.	Utilice el mando a distancia a una distancia máxima de 20 pies (6,096 m) y en un radio de 120° respecto a la parte delantera de la unidad.
	Obstrucción de la señal del mando a distancia.	Elimine la obstrucción.
La habitación está demasiado fría.	La temperatura establecida es demasiado baja.	Aumente la temperatura establecida.

NOTA

- Si ve "CH" en la pantalla, llame al 1-800-243-0000.

GARANTÍA

COBERTURA DE LA GARANTÍA:

LG Electronics Inc. ("LG") garantiza que reparará o sustituirá, gratuitamente, su producto si resulta defectuoso en materiales o mano de obra bajo condiciones normales de uso durante el periodo de garantía mencionado más abajo, efectivo a partir de la fecha de compra del producto original por parte del consumidor. Esta garantía limitada sólo es válida para el comprador original del producto y no es asignable ni transferible a ningún otro comprador o usuario final subsecuentes, y efectiva únicamente cuando el producto se compra a través de un distribuidor autorizado de LG y se utiliza en los Estados Unidos ("EE UU") o en cualquiera de sus territorios.

NOTA

- Los recambios y piezas de repuesto pueden ser nuevos o estar reconstruidos de fábrica y están garantizados durante el tiempo restante del periodo de garantía de la unidad original o noventa días (90), el periodo de los dos que sea más largo. Por favor, guarde el recibo de compra o la nota de entrega como prueba de la fecha de compra como comprobante de garantía (se le puede pedir que presente una copia a LG o a su representante autorizado).

PERÍODO DE GARANTÍA:

1 año desde la fecha de compra: **Cualquier repuesto interno/funcional y mano de obra**

CÓMO SE MANEJA EL SERVICIO TÉCNICO: Servicio a domicilio

Los servicios a domicilio se prestarán durante el periodo de garantía sujeto a disponibilidad en los Estados Unidos. El servicio a domicilio puede no estar disponible en todas las áreas. Para recibir asistencia técnica a domicilio, el producto debe estar en un entorno despejado y accesible al personal técnico. Si durante el servicio a domicilio la reparación no se puede llevar a cabo, es posible que sea necesario desplazarlo a nuestras instalaciones, repararlo y devolverlo a su hogar. Si este fuera el caso, LG puede optar, a petición nuestra, a utilizar el transporte de nuestra elección para desplazar la unidad al y del centro de servicio autorizado de LG.

ESTA GARANTÍA LIMITADA NO CUBRE LO SIGUIENTE:

- Las visitas de Asistencia a domicilio para entregar, recoger y/o instalar el producto, instruir o sustituir fusibles.
- Sustitución de fusibles de la casa o reajuste de interruptores de circuito, la corrección del cableado de la casa o de la tubería, o la corrección de la instalación del producto.
- Los daños o averías causados por fugas / roturas / congelación de tuberías de agua, líneas de drenaje restringido, suministro insuficiente de agua o interrumplido, o suministro insuficiente de aire.
- Los daños o averías causados por accidentes, plagas e insectos, rayos, viento, fuego, inundaciones o actos de Dios.
- Los daños o fallos ocasionados por el mal uso, abuso, instalación inadecuada, reparación o mantenimiento. Se considera reparación inadecuada aquella en que se hayan utilizado piezas no aprobadas o especificadas por LG.
- Los daños o averías causados por modificaciones no autorizadas o alteraciones del producto.
- Daños o fallos causados por corriente o voltaje eléctrico incorrecto, o por códigos de fontanería.
- Daños estéticos, incluyendo arañazos, abolladuras, desportilladuras u otros daños en el acabado del producto, a menos que dichos daños sean el resultado de defectos en los materiales o mano de obra y se informe a LG en el plazo de siete días naturales (7) a partir de la fecha de entrega.
- Daños o artículos faltantes a productos reacondicionados, comprados con descuento, con la caja abierta o que hayan estado en exhibición.

- Los productos cuyos números de serie de fábrica originales hayan sido quitados, borrados o cambiados de ninguna manera.
- Las reparaciones cuando el producto se utiliza para cualquier cosa fuera de lo normal y del uso doméstico habitual (por ejemplo su alquiler, uso comercial, en oficinas o en instalaciones de ocio) o en contra de la instrucciones que se indican en el manual del propietario.
- La extracción y reinstalación del producto si está instalado en un lugar inaccesible.

ESTA GARANTÍA SE OTORGA EN SUSTITUCIÓN O EXCLUSIÓN DE TODA OTRA GARANTÍA, EXPRESA O IMPLÍCITA, INCLUYENDO SIN LIMITAR CUALQUIER GARANTÍA DE CALIDAD O IDONEIDAD CON UN PROPÓSITO CONCRETO. EN LA MEDIDA EN QUE CUALQUIER GARANTÍA IMPLÍCITA ES OBLIGADA POR LA LEY, ESTÁ LIMITADA EN DURACIÓN AL PERIODO DE GARANTÍA YA MENCIONADO. LA REPARACIÓN O REEMPLAZO DE PIEZAS, SEGÚN LO ESTABLECIDO EN ESTA GARANTÍA, ES EL ÚNICO QUE PUEDE RECLAMAR EL CLIENTE. NI EL FABRICANTE NI SU DISTRIBUIDOR EN LOS EE.UU. SE HACE RESPONSABLE DE CUALQUIER DAÑO (DERIVADO, INDIRECTO, ESPECIAL O PENAL) DE CUALQUIER NATURALEZA, INCLUYENDO, SIN LIMITACIÓN, LA PÉRDIDA DE INGRESOS O BENEICIOS O CUALQUIER OTRO TIPO DE DAÑO, AÚN BASADO EN UN CONTRATO, SEA UN AGRAVIO O DE CUALQUIER OTRA MANERA.

Algunos estados no permiten la exclusión o limitación de daños incidentales o emergentes, o limitaciones a la duración de la garantía implícita, por lo que la exclusión o limitación anteriormente mencionadas podrían no corresponder en su caso. Esta garantía le otorga derechos legales específicos y es posible que usted cuente con otros derechos que varían según el estado.

COMO OBTENER EL SERVICIO DE ESTA GARANTÍA E INFORMACIÓN ADICIONAL:

Llame al 1-800-243-0000 o visite nuestra página web: www.lg.com.

Dirección de correo ordinario: LG Customer Information Center (ATTN: CIC)
201 James Record Road, Huntsville, AL 35824

PARA SUS REGISTROS

Anote aquí los números de modelo y de serie:

N.º de modelo _____

N.º de serie _____

- Los encontrará en la etiqueta del lateral de cada unidad.

Nombre del distribuidor _____

Fecha de compra _____

- Grape el recibo a esta página si lo necesita para demostrar la fecha de compra o para cuestiones relacionadas con la garantía.

AVISO DE ARBITRAJE: ESTA GARANTÍA LIMITADA CONTIENE UNA CLÁUSULA DE ARBITRAJE QUE LE DEMANDA A USTED Y A LG RESOLVER CONFLICTOS A TRAVÉS DE UN ARBITRAJE VINCULANTE EN LUGAR DE HACERLO EN LA CORTE, A MENOS QUE USTED DECIDA NO PARTICIPAR. EN EL ARBITRAJE NO ESTÁN PERMITIDAS LAS ACCIONES COLECTIVAS NI LOS JUICIOS CON JURADO. POR FAVOR, VEA A CONTINUACIÓN LA SECCIÓN TITULADA "PROCEDIMIENTO PARA RESOLVER CONFLICTOS".

PROCEDIMIENTO PARA RESOLVER CONFLICTOS:

TODOS LOS CONFLICTOS ENTRE USTED Y LG QUE SURJAN FUERA DE O RELACIONADOS DE ALGUNA MANERA CON ESTA GARANTÍA LIMITADA O CON EL PRODUCTO, SE RESOLVERÁN EXCLUSIVAMENTE A TRAVÉS DE UN ARBITRAJE VINCULANTE Y NO EN UNA CORTE DE JURISDICCIÓN GENERAL. ARBITRAJE VINCULANTE SIGNIFICA QUE USTED Y LG RENUNCIAN AL DERECHO DE UN JUICIO CON JURADO Y A REALIZAR O PARTICIPAR EN UNA DEMANDA COLECTIVA.

Definiciones. Para el propósito de esta sección, las referencias a "LG" significan: LG Electronics U.S.A., Inc., sus empresas matrices, subsidiarias y filiales y cada uno de sus directivos, directores, empleados, agentes, beneficiarios, predecesores en interés, sucesores, cesionarios y proveedores; las referencias a "conflicto" o "reclamación" incluirán cualquier conflicto, reclamo o controversia de cualquier tipo, sin importar (ya sea basado en contrato, agravio, estatuto, regulación, ordenanza, fraude, falsa representación o cualquier teoría legal o equitativa) que surja de o esté relacionada con cualquier forma de venta, condición o desempeño del producto o de esta Garantía Limitada.

Aviso de disputa. En caso de que usted desee iniciar un procedimiento de arbitraje, primero debe notificar a LG por escrito al menos 30 días antes de iniciar el arbitraje enviando una carta a LG a LG Electronics, USA, Inc. Atención: Legal Department- Arbitration 1000 Sylvan Ave, Englewood Cliffs 07632. Usted y LG aceptan participar en discusiones de buena fe en un intento de resolver su reclamo de manera amistosa. En la carta debe proporcionar su nombre, dirección y número de teléfono; identificar el producto que es objeto de la reclamación; y describir la naturaleza del reclamo y el remedio que busca. Si usted y LG no puede resolver la disputa dentro de 30 días, cualquiera de las partes puede proceder a presentar una demanda de arbitraje.

Acuerdo de arbitraje vinculante y renuncia de demanda colectiva. En caso de no resolver la disputa durante el período de 30 días después de enviar una notificación por escrito a LG, Usted y LG se comprometen a resolver cualquier reclamo entre nosotros, solamente a través de arbitraje vinculante sobre una base individual, a menos que usted se excluya, conforme a lo dispuesto a continuación. Cualquier conflicto entre usted y LG no estarán combinados o consolidados con una controversia relacionada con cualquier otro producto o reclamo de otra persona o entidad. Más específicamente y sin perjuicio de lo anterior, no procederá bajo ninguna circunstancia cualquier disputa entre usted y LG como parte de una acción colectiva o representativa. En lugar del arbitraje, cualquiera de las partes podrá iniciar una acción individual en la corte de reclamos menores, pero tales acciones en la corte de reclamos menores no podrán ser realizadas en una acción colectiva o representativa.

Normas y procedimientos de arbitraje. Para comenzar con el arbitraje de un reclamo, usted o LG deben realizar una demanda escrita para arbitraje. El arbitraje será administrado por la Asociación Americana de Arbitraje (AAA) y se llevará a cabo ante un árbitro único bajo las Normas de Arbitraje del Consumidor de la AAA, que tienen efecto al momento de inicio del arbitraje (en adelante "Normas de la AAA") y bajo los procedimientos establecidos en esta sección. Las Normas de la AAA están disponibles en línea en www.adr.org/consumer. Envíe una copia de su solicitud de arbitraje por escrito, así como una copia de esta disposición, a la AAA de la forma descrita en las Normas de la AAA. También debe enviar una copia de su solicitud por escrito a LG en LG Electronics, USA, Inc. Atención: Legal Department- Arbitration 1000 Sylvan Ave, Englewood Cliffs 07632. Si hay un conflicto entre las Normas de la AAA y las reglas establecidas en esta sección, prevalecerán dichas reglas de esta sección. Esta disposición de arbitraje se rige por la Ley Federal de Arbitraje. El juicio se puede introducir en el laudo arbitral en cualquier tribunal de jurisdicción competente. Todos son temas para que el árbitro tome sus decisiones, excepto aquellos asuntos relativos al alcance y aplicabilidad de la cláusula de arbitraje y de la capacidad de arbitraje de la controversia para que el tribunal decida. El árbitro se registrará por los términos de esta disposición.

Legislación vigente. La legislación del estado de su residencia registrará esta Garantía Limitada, así como todas las disputas entre nosotros, salvo que sea invalidada o inconsistente con leyes federales aplicables.

Tarifas / Costos. Usted no debe pagar ninguna tarifa para comenzar un arbitraje. Al recibir su solicitud de arbitraje por escrito, LG pagará todos los gastos administrativos rápidamente a la AAA, a menos que usted solicite más de \$25,000.00 por daños, en cuyo caso el pago de estos gastos se registrará por las Normas de la AAA. Salvo disposición contraria prevista en el presente documento, LG pagará a la AAA todos los gastos documentales, administrativos y de arbitraje para cualquier arbitraje iniciado, de conformidad con las Normas de la AAA y esta disposición de arbitraje. Si usted prevalece en el arbitraje, LG pagará los honorarios y gastos de sus abogados, siempre y cuando sean razonables, considerando factores que incluyen, entre otros, el monto de la compra y el monto del reclamo. No obstante lo anterior, si la ley aplicable permite una adjudicación de honorarios y gastos razonables de abogados, un árbitro puede otorgarlos en la misma medida que lo haría un tribunal. Si el árbitro considera que la sustancia de su reclamo o la reparación solicitada en la demanda es frívola o se utiliza para un propósito inadecuado (calificado según las normas establecidas en la Norma Federal de Procedimiento Civil 11 (b)), el pago de todos los honorarios de arbitraje se registrará por las Normas de la AAA. En tal situación usted se compromete a reembolsar a LG todos los fondos erogados previamente por ella, cuyo pago es, por otra parte, su obligación, según las Normas de la AAA. Salvo disposición contraria, LG renuncia a cualquier derecho que pudiera tener para solicitarle los honorarios y gastos de sus abogados, si LG prevalece en el arbitraje.

Audiencias y ubicación. Si su reclamo es por \$25,000 o menos, usted puede optar que el arbitraje sea realizado únicamente sobre la base de: (1) documentos presentados al árbitro, (2) a través de una audiencia telefónica o (3) por una audiencia en persona, según lo establecido por las Normas de la AAA. Si su reclamo excede \$25,000, el derecho a una audiencia estará determinado por las Normas de la AAA. Cualquier audiencia de arbitraje en persona se realizará en un lugar dentro del distrito judicial federal en el cual reside, a menos que ambos acuerden otra ubicación o estemos de acuerdo con el arbitraje telefónico.

Exclusión. Usted puede quedarse fuera de este procedimiento de resolución de la disputa. Si se excluye, ni usted ni LG pueden solicitar al otro que participe en un procedimiento de arbitraje. Para excluirse usted debe enviar una notificación a LG, en un lapso de hasta 30 días continuos, contados a partir de la fecha de la primera compra del consumidor del producto, ya sea por: (i) el envío de un correo electrónico a output@lge.com con el siguiente Asunto: "Exclusión del arbitraje" o (ii) llamada al 1-800-980-2973. Debe incluir en el correo electrónico de exclusión o suministrar por teléfono: (a) su nombre y dirección; (b) la fecha en la cual el producto fue comprado; (c) el nombre o el número del modelo del producto; y (d) el número del serial (el número del serial puede ser hallado (i) en el producto, o (ii) en la dirección de <https://www.lg.com/us/support/repair-service/schedule-repair-continued> al hacer clic en "Find My Model & Serial Number").

Sólo puede excluirse del procedimiento de resolución de conflictos en la forma descrita anteriormente (es decir, por correo electrónico o por teléfono); ninguna otra forma de notificación será efectiva para hacerlo. Excluirse de este procedimiento de resolución de controversias no afectará de ninguna manera la cobertura de la Garantía Limitada, por lo que usted continuará disfrutando de todos sus beneficios. Si conserva este producto y no se excluye, usted acepta todos los términos y condiciones de la cláusula de arbitraje descrita anteriormente.



LG Electronics Inc.
1000 Sylvan Ave., Englewood Cliffs, NJ 07632

LG Customer Information Center
Centro de Información al Cliente de LG

1-800-243-0000

Register your product Online!
Centro de Información al Cliente de LG

www.lg.com