

Features

- Advanced spray engine provides six spray experiences: full coverage, powerful massage, soft silk spray, two combination sprays and pause.
- Katalyst® air-induction technology maximizes the air/water mix for a powerful, even flow.
- Full coverage spray produces an encompassing spray for everyday use and utilizes air induction to create large, full drops.
- Powerful massage is a focused stream for massaging sore muscles to ease away aches and pains.
- Soft silk spray releases a dense, luxurious downpour of water.
- MasterClean™ sprayface features an easy-to-clean surface that withstands mineral buildup.
- Simple thumb tab allows for a smooth transition between sprays.
- 1.75 gpm (gallons per minute) flow rate.

Material

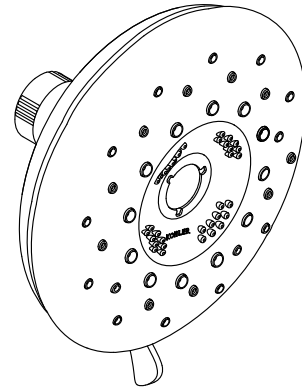
- KOHLER finishes resist corrosion and tarnishing.

Installation

- G 1/2 inch - 14 connection

Water Conservation & Rebates

- WaterSense®-labeled 1.75 gpm showerheads use at least 30 percent less water than standard 2.5 gpm showerheads while still meeting strict performance guidelines.
- This product can help a building earn Water Efficiency points in the LEED® Green Building Rating System.

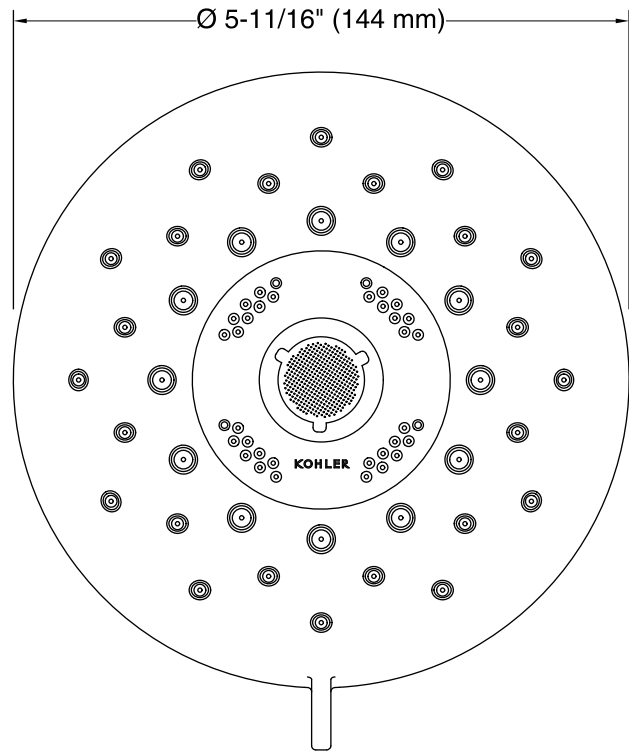
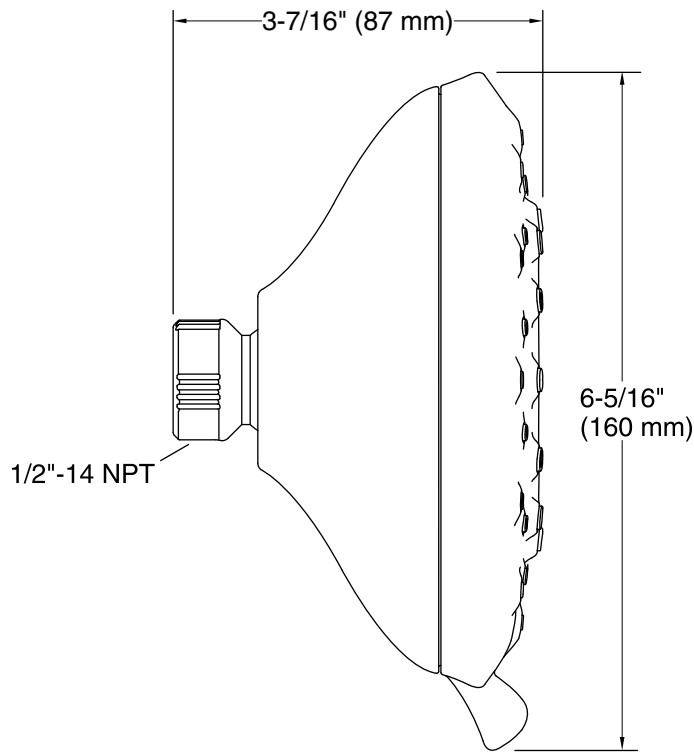


Codes/Standards

ASME A112.18.1/CSA B125.1
DOE - Energy Policy Act 1992
EPA WaterSense®
California Energy Commission (CEC)

KOHLER® Faucet Lifetime Limited Warranty

See website for detailed warranty information.



Technical Information

All product dimensions are nominal.

Showerhead/Body Spray:

Rated maximum flow: 1.75 gal/min (6.6 l/min)

Pressure: 45 psi (3.1 bar)

Notes

For use with automatic compensating valves rated at 1.3 gal/min (4.9 l/min) or less.

Install this product according to the installation instructions.