

MOUNTING/INSTALLATION OF THE FAN

Before touching a screw driver thoroughly read these instructions.

Warning/Caution: Before installing fan, turn off power at service panel and check all visible screws and bolts for tightness.

1. Remove the decorative canopy bottom cover from the canopy by turning the cover counter clockwise. (Fig. 5)

2. Remove the hanger bracket from the canopy by removing the 1 of 2 screws from the bottom of the hanger bracket and loosening the other one a half turn from the screw head. Next, turn the canopy counter clockwise to removing the hanger bracket from the canopy. (Fig. 5)

3. Secure the hanger bracket to the ceiling outlet box using screws and washers included with your outlet box. (Fig. 6)

4. Remove hanger ball from down rod assembly by loosening set screws, removing the cross pin and sliding ball off rod. (Fig. 7)

5A. Metal Blade Head and Decorative Cage: If your fan is one with a metal blade head and decorative cage, remove protective plastic sleeve from the motor shaft, and then attach the metal blade head and cage. The Atlas medallion should be oriented correctly. Handle your blade head carefully otherwise you will bend the blade irons and cause your fan to vibrate when in use. **Caution:** The set screw in the blade head hub must be counter-sunk into the bore-hole on the flattened side of the motor shaft - or else the blade head may disengage from the motor shaft during operation.

5B. Metal Blade Head and Safety Cage: If your fan is one with a metal blade head and safety cage, remove protective plastic sleeve from the motor shaft, then and attach the back side of the safety cage. Next, attach the blade head. Handle your blade head carefully otherwise you will bend the blade irons and cause your fan to vibrate when in use. Finally attach the front side of the cage with Atlas medallion oriented correctly. **Caution:** The set screw in the blade hub must be counter-sunk into the bore-hole on the flattened side of the motor shaft - or else the blade head may disengage from the motor shaft during operation.

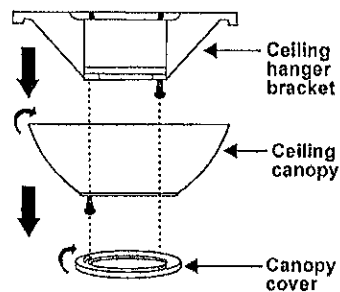


Figure 5

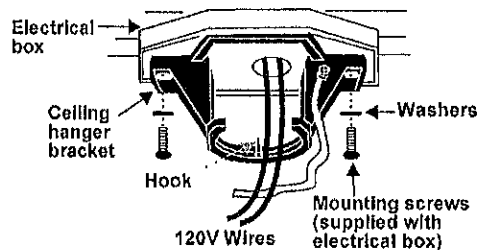


Figure 6

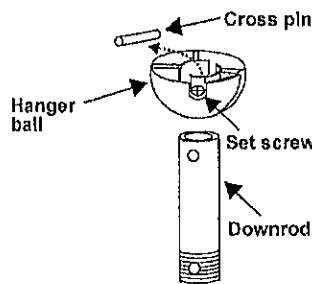


Figure 7

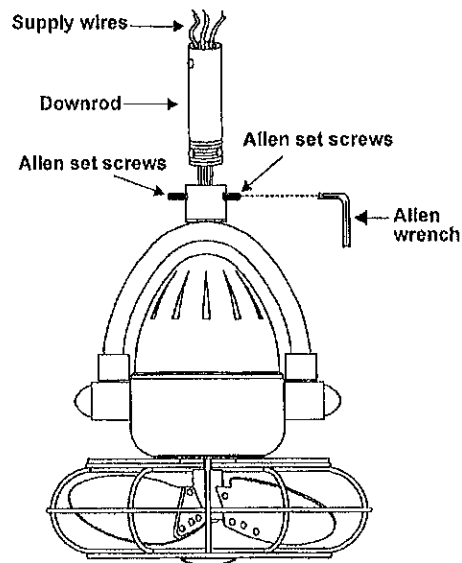


Figure 8

5 C. Wooden Blade Head: If your fan is one with wooden blade head, attach your blades as the last step in the assembly process. Do not attach them now. Attach them in step No.: 9. Handle your blade head carefully otherwise you will bend the blade irons and cause your fan to vibrate when in use.

6. Loosen the two set screws from the top coupling of the motor assembly. (Fig. 8)

7. Carefully feed the fan wires up through the down rod. Thread the down rod into the coupling then tighten the set screws using the Allen wrench. (Fig. 8) Carefully reinstall hanger ball onto rod being sure that cross pin is in correct position, the set screw on hanger ball is tight and wires are not twisted.

8. Now lift the motor assembly into position and place the hanger ball into the hanger bracket. Rotate until the "Check Tab" has dropped into the "Registration Slot" and seats firmly. The entire motor assembly should not rotate if this is done correctly.

9. Remove protective plastic sleeve from the motor shaft and attach your wooden blades. Ignore this step if you have metal blades, as they should already have been installed. Make sure that the set screw in the blade hub is counter-sunk into the bore-hole into the shaft of the motor.

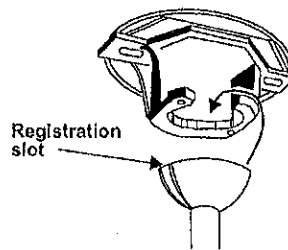


Figure 9

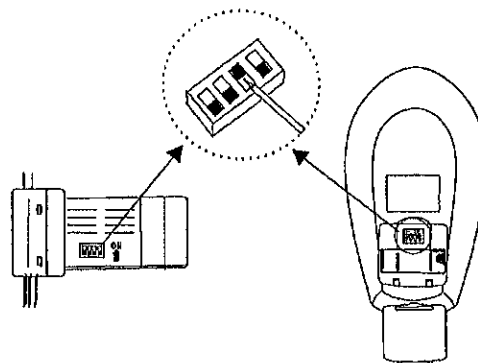


Figure 10

MAKING THE ELECTRICAL CONNECTIONS

Warning: The power should have already been disconnected. Follow the steps below to connect the fan to your household wiring. Use the wire nuts supplied with your fan. Secure the wire nuts with electrical tape. Make sure there are no loose strands or connections.

NOTE: The Hand Held Remote Control units included with your ceiling fan are equipped with 16 code combinations to prevent possible interference from or to other remote units. The frequency switches on your Receiver and Transmitter units have been preset at the factory. Please re-check to make sure the switches on both units are set to the same positions. The frequency settings should be changed only in case of interference or if a second or more remote controlled ceiling fans are installed in the same room. Any code combination will operate the ceiling fan and light as long as the Receiver and Transmitter units are set to the same codes (Fig. 10)

1. Insert Receiver into Hanger Bracket with the flat side of the Receiver facing the ceiling. (Fig. 11)

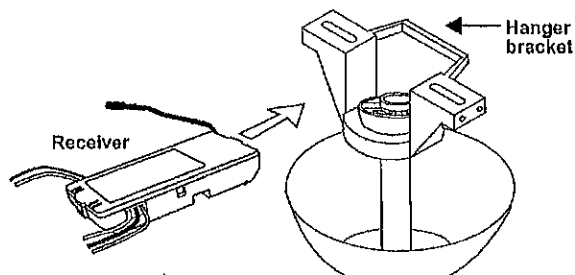


Figure 11

2. Motor to Receiver Electrical Connections:

A. Connect the WHITE wire from the fan to the WHITE wire marked "TO MOTOR N" from the Receiver.

B. Connect the BLACK wire from the fan to the BLACK wire marked "TO MOTOR L" from the Receiver.

C. Connect the BLUE wire from the fan to the BLUE wire marked "oscillation" from the Receiver. Proceed to secure all wire connections with the plastic wire nuts provided. (Fig. 12)

Note: Fan must be installed from a maximum distance of 40 feet from the transmitting unit for proper signal transmission between the transmitting unit and the fan's receiving unit.

3. Receiver to House Supply Wires Electrical Connections:

A. Connect the WHITE wire (Neutral) from the outlet box to the WHITE wire marked "AC in N" from the receiver.

B. Connect the BLACK wire (Hot) from the outlet box to the BLACK wire marked "AC in L" from the receiver. Secure all wire connections with the plastic wire nuts provided. (Fig. 12)

4. If your outlet box has a GROUND wire (Green or Bare Copper) connect this wire to the Hanger Ball and Hanger Bracket Ground wires. If your outlet box does not have a Ground Wire, then connect the Hanger Ball and Hanger Bracket Ground Wires together. Secure wire connection with the plastic wire nut provided. (Fig. 12)

5. Tuck connections neatly into ceiling outlet box.

6. Slide the canopy up to hanger bracket and place the key hole on the canopy over the screw on the hanger bracket, turn canopy until it locks in place at the narrow section of the key holes. (Fig. 13)

7. Align the circular hole on canopy with the remaining hole on the hanger bracket, secure by tightening the two set screws. Note: Adjust the canopy screws as necessary until the canopy and canopy cover are snug.

Warning: Make sure tab at bottom of hanger bracket is properly seated in groove of hanger ball before attaching canopy to bracket. Failure to properly seat tab in groove could cause damage to electrical wiring.

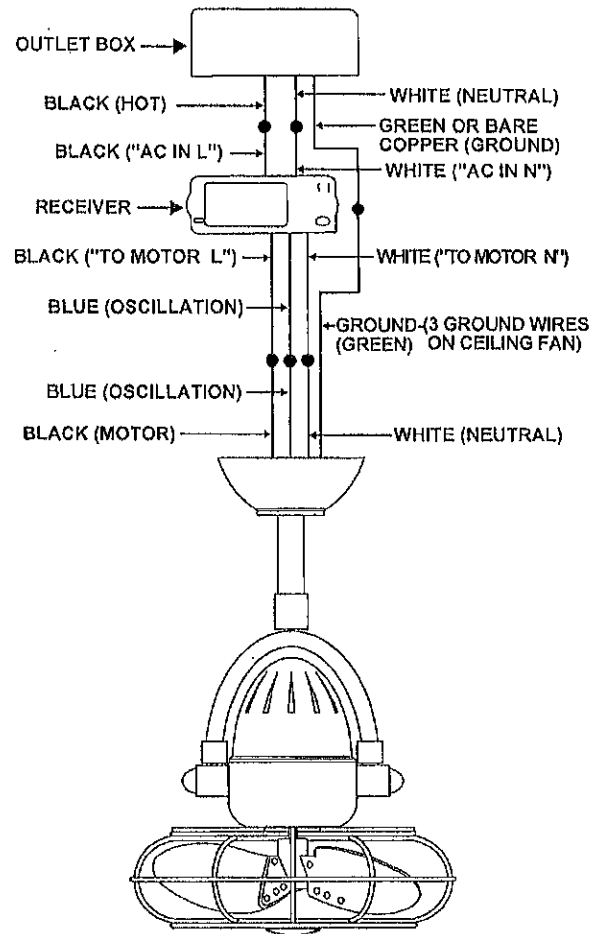


Figure 12

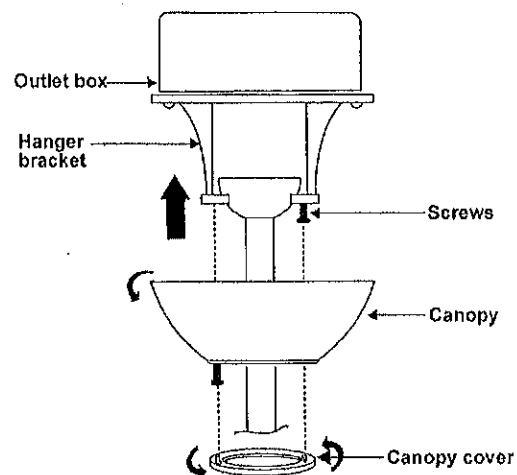


Figure 13

OPERATING THE REMOTE CONTROL

Install 12V MN21/A23 battery (included).

To prevent damage to transmitter, remove the battery if not used for long periods. (Fig. 14)

Restore Power to Ceiling Fan.

A. H, M, L Buttons:

These buttons are used to set the fan speeds as follows;

- L: Low Speed
- M: Medium Speed
- H: High Speed

B. OFF Button:

This button turns the fan off.

C. ACCESSORY Button:

This button is used to control the oscillating operation.

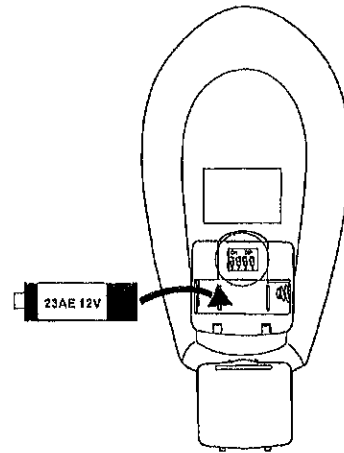


Figure 14

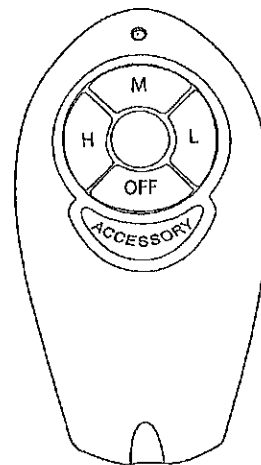


Figure 15