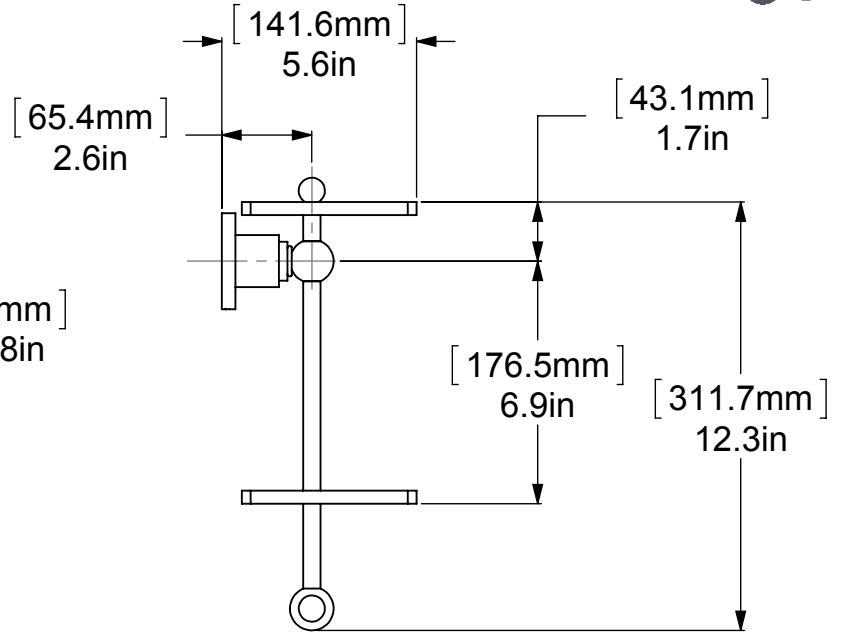
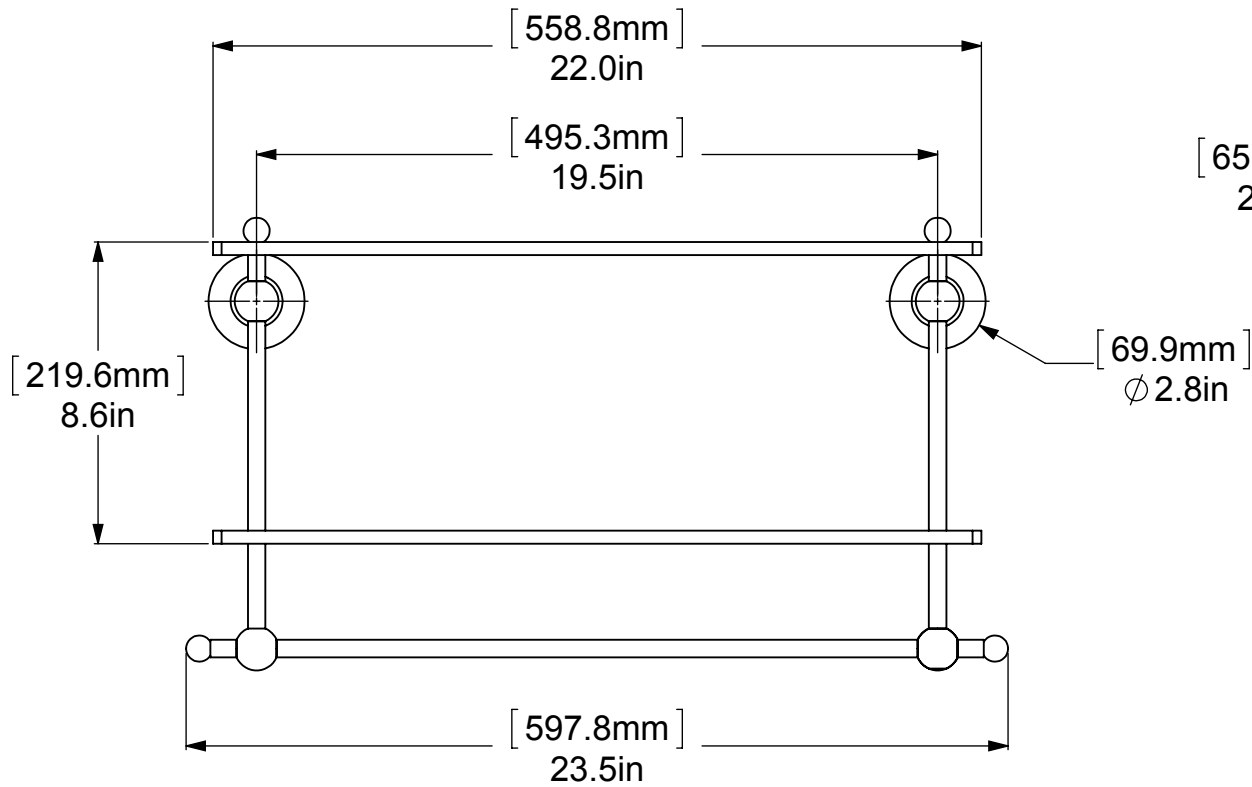
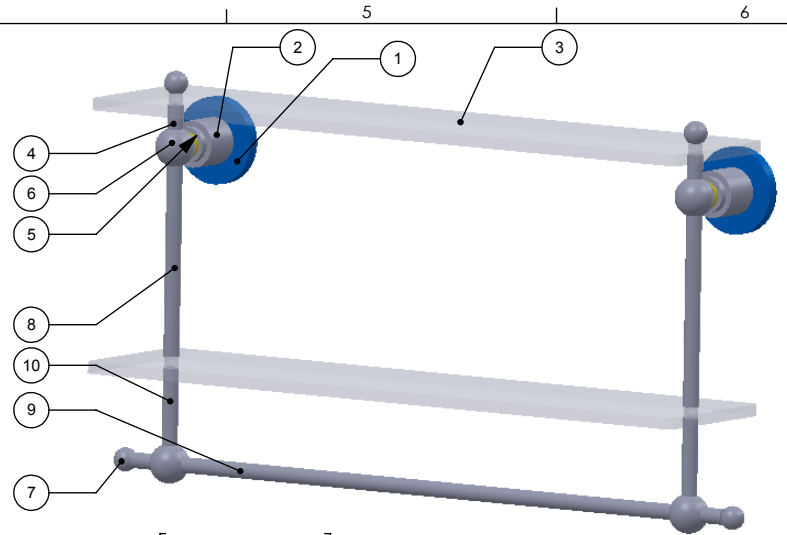


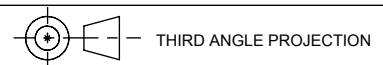
ITEM NO.	PART NUMBER	DESCRIPTION	QTY.
1	BPRD	Base	2
2	WASP	NECK	2
3	GLRT-22	GLASS	2
4	TU12-.75"	SUPPORT TUBE	4
5	CRRD-34	RING	2
6	BL3T-1	LOWER BALL	4
7	BL1T-34	End Ball	4
8	TU12-6"	LONG TUBE	2
9	TU12-19.5	BOTTOM TUBE	1
10	TU12-3	SUPPORT BAR	2



UNLESS OTHERWISE STATED

.X	$\pm .3\text{mm}$
.XX	$\pm .15\text{mm}$
.XXX	$\pm .008\text{mm}$

COPYRIGHT © Allied Brass 2016



DRAWN	9/25/2016	I.M
CHECKED	9/25/2016	P.D
APPROVED	9/25/2016	R.A

MATERIAL:	BRASS
DESCRIPTION:	SHELF WITH TOWEL BAR



FINISH	TBD
QUANTITY	TBD
DRAWING No.	AP22-22TB
SCALE	1:5.5
SHEET: 01	A4