



SERVICE PARTS LIST

BULLETIN NO.
54-32-2400

SPECIFY CATALOG NO. AND SERIAL NO. WHEN ORDERING PARTS		REVISED BULLETIN	DATE
Cordless M12™ Spot Polisher			Apr. 2014
CATALOG NO. 2438-20	STARTING SERIAL NO. F76A	WIRING INSTRUCTION SEE REVERSE SIDE	

EXAMPLE:
00 0 Component Parts (Small #)
Are Included When Ordering
The Assembly (Large #).

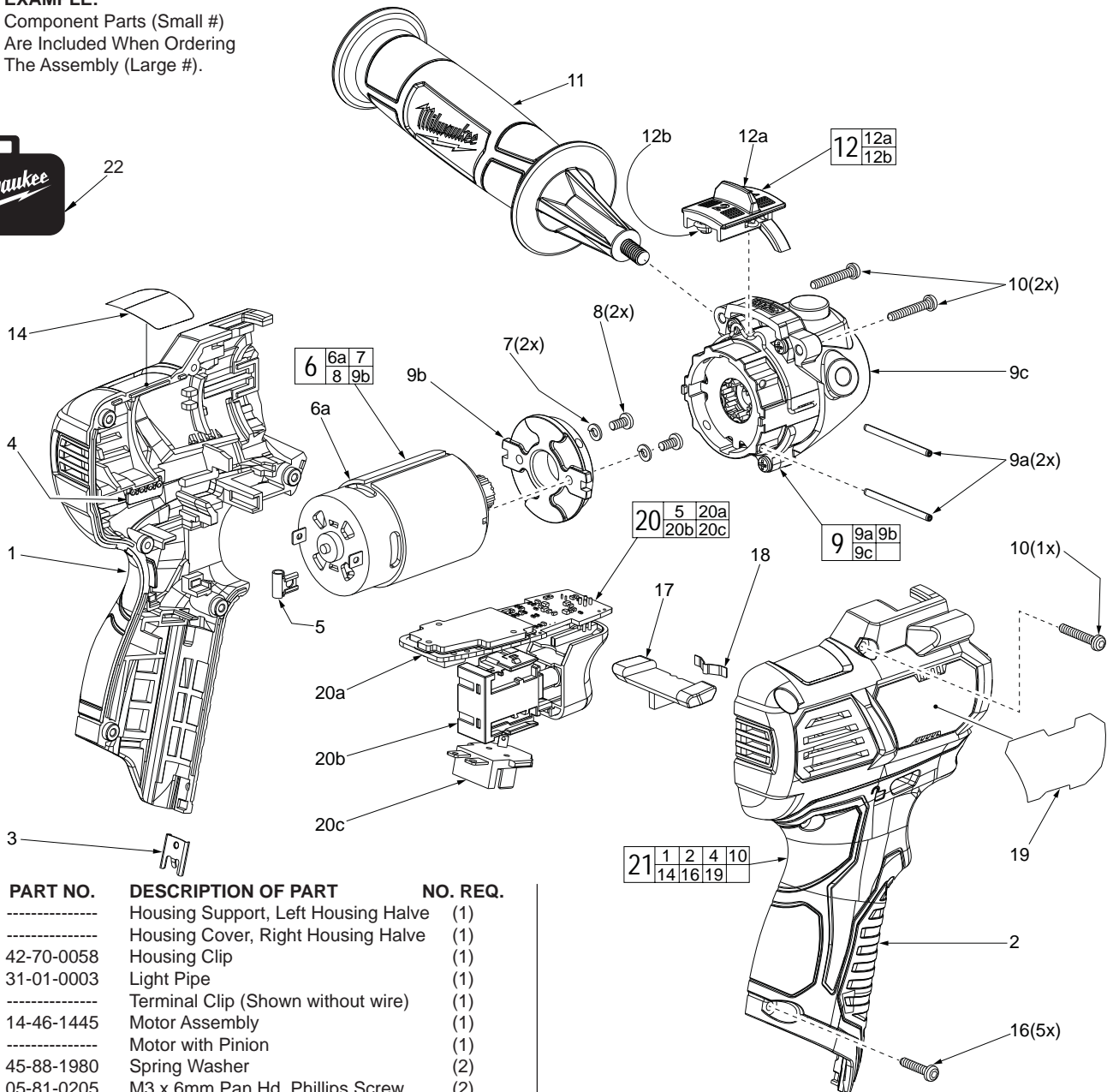
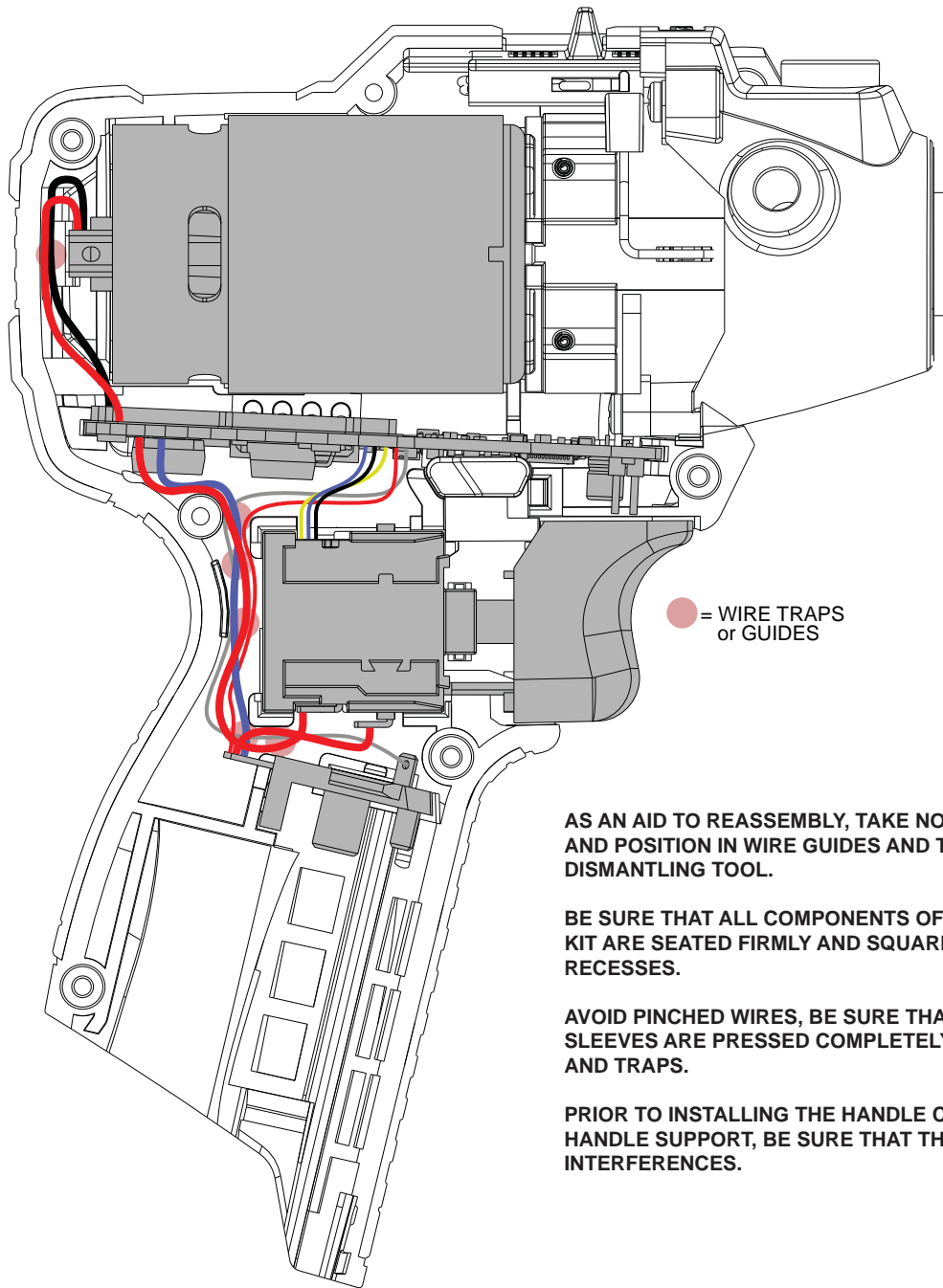


FIG.	PART NO.	DESCRIPTION OF PART	NO. REQ.
1	-----	Housing Support, Left Housing Halve	(1)
2	-----	Housing Cover, Right Housing Halve	(1)
3	42-70-0058	Housing Clip	(1)
4	31-01-0003	Light Pipe	(1)
5	-----	Terminal Clip (Shown without wire)	(1)
6	14-46-1445	Motor Assembly	(1)
6a	-----	Motor with Pinion	(1)
7	45-88-1980	Spring Washer	(2)
8	05-81-0205	M3 x 6mm Pan Hd. Phillips Screw	(2)
9	14-46-1385	Gearbox Assembly	(1)
9a	-----	Motor Mount Pin	(2)
9b	-----	Motor Mount Plate	(1)
9c	-----	Gearbox/Front Housing	(1)
10	05-88-0780	M3 x 18mm Pan Hd. ST T-10 Screw	(3)
11	43-62-1100	Side Handle	(1)
12	14-46-1460	Speed Selector Assembly	(1)
12a	-----	Speed Selector	(1)
12b	-----	Torsion Spring	(1)
14	10-20-3205	Warning Label	(1)
15	-----	Fuel Gauge Label (Not Shown)	(1)
16	06-82-1080	M3 x 14mm Pan Hd. T-10 ST Screw	(5)
17	45-24-0625	Locking Shuttle	(1)
18	40-50-1135	Spring Plate	(1)
19	12-20-2438	Service Nameplate	(1)
20	14-46-1470	Electronics Assembly	(1)
20a	-----	PCBA	(1)
20b	-----	Switch	(1)
20c	-----	Battery Terminal Connector Block	(1)

FIG.	PART NO.	DESCRIPTION OF PART	NO. REQ.
21	31-44-2438	Handle Kit	(1)
22	42-55-2438	Contractors Bag	(1)
23	49-36-2438	5 Piece Accessory Kit (Not Shown)	(1)
		Consisting of:	
		3" Wool Pad w/ Back Recess	(1)
		3" White Foam Pad	(1)
		3" Yellow Foam Pad	(1)
	49-36-0800	2" Backing Pad w/ M9 x .75 Thread	(1)
	49-36-0805	3" Backing Pad w/ M9 x .75 Thread	(1)

FIG. 6,9,9b **NOTES:**
Service replacement gearcase assembly (9) comes with a motor mount plate (9b) that must be removed and discarded when servicing. A motor mount plate already exists on the motor assembly (6).

MILWAUKEE ELECTRIC TOOL CORPORATION
13135 W. Lisbon Road, Brookfield, WI 53005
Drwg. 1



● = WIRE TRAPS
or GUIDES

AS AN AID TO REASSEMBLY, TAKE NOTICE OF WIRE ROUTING AND POSITION IN WIRE GUIDES AND TRAPS WHILE DISMANTLING TOOL.

BE SURE THAT ALL COMPONENTS OF THE ELECTRONICS KIT ARE SEATED FIRMLY AND SQUARELY IN THE HANDLE RECESSES.

AVOID PINCHED WIRES, BE SURE THAT ALL WIRES AND SLEEVES ARE PRESSED COMPLETELY DOWN IN WIRE GUIDES AND TRAPS.

PRIOR TO INSTALLING THE HANDLE COVER ONTO THE HANDLE SUPPORT, BE SURE THAT THERE ARE NO INTERFERENCES.