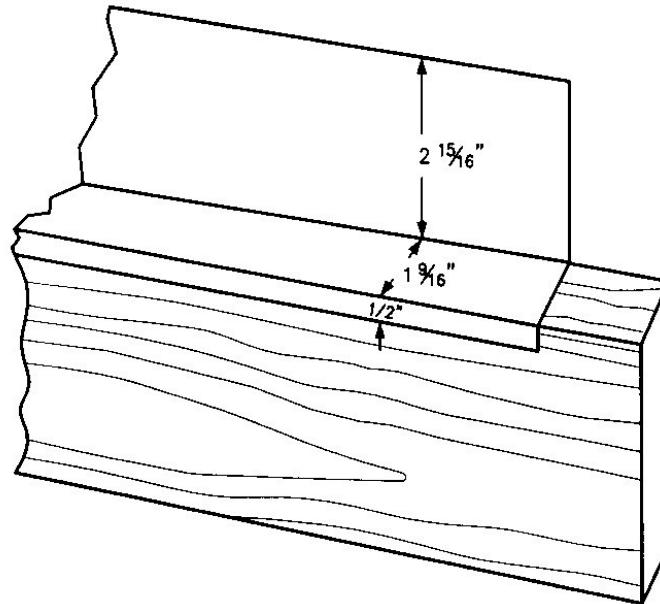


Deck Ledger Flashing 8'



Metal deck ledger flashing is used to cover the deck ledger board to protect it from rotting. The ledger board is a critical structural element that connects the deck to the house. Collapsed decks are often caused by ledger board failure. To install the deck ledger flashing:

- ❖ Slip the deck ledger flashing under the siding and over the deck ledger board all along the deck facing.
- ❖ Nail the deck ledger flashing to the wall set near the top edge of the flashing with galvanized nails. Space the nails about 4 feet apart. This will help prevent leaking and wood rot of the deck ledger board.
- ❖ If your deck is longer than 8 feet, overlap the flashing 4 to 6 inches.
- ❖ Use asphalt paper between metal and pressure-treated lumber to avoid any chemical reaction.