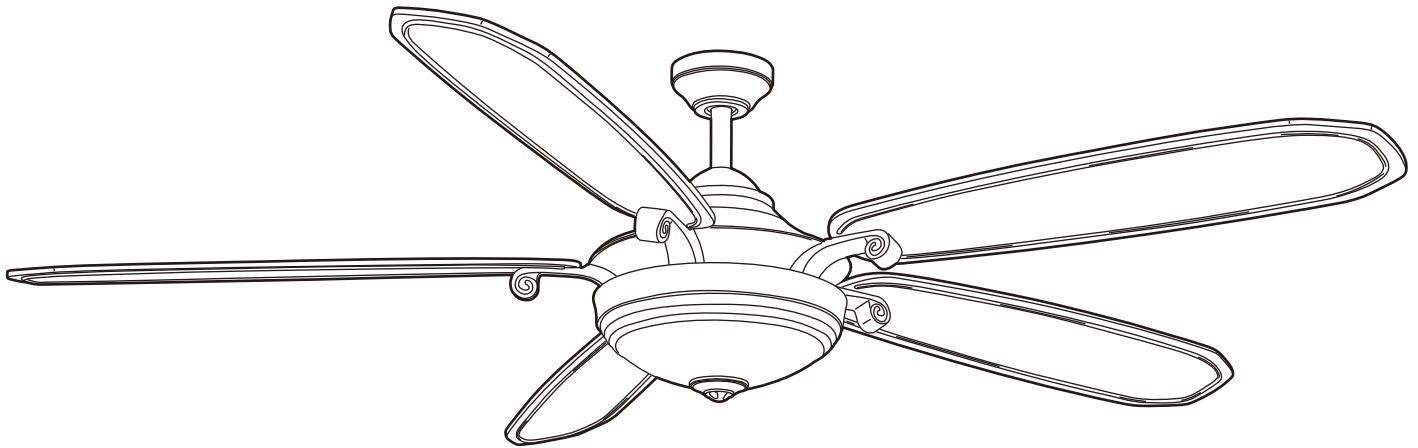


HOME
DECORATORS
COLLECTION

Item #1001 668 630
Model #CL11012

USE AND CARE GUIDE

AMARETTO 70 INCH CEILING FAN



Questions, problems, missing parts? Before returning to the store,
call Home Decorators Collection Customer Service
8 a.m. - 7 p.m., EST, Monday-Friday,
9 a.m. - 6 p.m., EST, Saturday

1-800-986 3460

HOMEDEPOT.COM/HOMEDECORATORS

THANK YOU

We appreciate the trust and confidence you have placed in Home Decorators Collection through the purchase of this ceiling fan. We strive to continually create quality products designed to enhance your home. Visit us online to see our full line of products available for your home improvement needs. Thank you for choosing Home Decorators Collection!

Table of Contents

Table of Contents	2
Safety Information	3
Warranty	4
Pre-installation	4
Specifications	4
Tools Required	4
Hardware Included	5
Package Contents	6
Installation	7
Assembly	8
Hanging the Fan	8
Attaching the Fan Blades	12
Installing the Light Kit	13
Operation	15
Care and Cleaning	19
Troubleshooting	20
Service Parts	21

Safety Information

- Read and save these instructions.
- To reduce the risk of electric shock, ensure electricity has been turned off at the circuit breaker or fuse box before beginning.
- All wiring must be in accordance with the National Electrical Code “ANSI/NFPA 70-1999” and local electrical codes. Electrical installation should be performed by a qualified licensed electrician.
- The outlet box and support structure must be securely mounted and capable of reliably supporting a minimum of 35 lbs. Use only UL Listed outlet boxes marked “FOR FAN SUPPORT.”
- The fan must be mounted with a minimum of 7 ft. clearance from the trailing edge of the blades to the floor.
- To avoid personal injury or damage to the fan and other items, be cautious when working around or cleaning the fan.
- Do not use water or detergents when cleaning the fan or fan blades. A dry dust cloth or lightly dampened cloth will be suitable for most cleaning.
- After making electrical connections, spliced conductors should be turned upward and pushed carefully up into the outlet box. The wires should be spread apart with the grounded conductor and the equipment-grounding conductor on one side of the outlet box and ungrounded conductor on the other side of the outlet box.
- All setscrews must be checked and retightened where necessary before installation.
- This device complies with Part 15 of the FCC Rules. Operation is subject to the following two conditions: (1) This device may not cause harmful interference, and (2) This device must accept any interference received, including interference that may cause undesired operation.



WARNING: To reduce the risk of electrical shock or fire, do not use this fan with any solid-state fan speed control device. It will permanently damage the electronic circuitry.



WARNING: To reduce the risk of personal injury, do not bend the blade arms (also referred to as flanges), when installing the brackets, balancing the blades, or cleaning the fan.



WARNING: Do not insert foreign objects between rotating fan blades.



WARNING: To reduce the risk of fire, electric shock, or personal injury, mount the fan to the outlet box marked acceptable for fan support with the screws provided with the outlet box.



CAUTION: To reduce the risk of personal injury, use only the screws provided with the outlet box.



WARNING: Changes or modifications to this unit not expressly approved by the party responsible for compliance could void the user’s authority to operate the equipment.



NOTE: This equipment has been tested and found to comply with the limits for a Class B digital device, pursuant to Part 15 of the FCC Rules. These limits are designed to provide reasonable protection against harmful interference in a residential installation. This equipment generates, uses and can radiate radio frequency energy and, if not installed and used in accordance with the instructions, may cause harmful interference to radio communications. However, there is no guarantee that interference will not occur in a particular installation. If this equipment does cause harmful interference to radio or television reception, which can be determined by turning the equipment off and on, the user is encouraged to try to correct the interference by one or more of the following measures: Reorient or relocate the receiving antenna. Increase the separation between the equipment and receiver. Connect the equipment into an outlet on a circuit different from that to which the receiver is connected. Consult the dealer or an experienced radio/TV technician for help.

Warranty

We warrant the fan motor to be free from defects in workmanship and material present at time of shipment from the factory for a period of lifetime after the date of purchase by the original purchaser. We also warrant that all other fan parts, excluding any glass or acrylic blades, to be free from defects in workmanship and material at the time of shipment from the factory for a period of two year after the date of purchase by the original purchaser. We agree to correct such defects without charge or at our option replace with a comparable or superior model if the product is returned. To obtain warranty service, you must present a copy of the receipt as proof of purchase. All costs of removing and reinstalling the product are your responsibility. Damage to any part such as by accident, misuse, improper installation or by affixing any accessories, is not covered by this warranty. Because of varying climatic conditions this warranty does not cover any changes in brass finish, including rusting, pitting, corroding, tarnishing or peeling. Brass finishes of this type give their longest useful life when protected from varying weather conditions. A certain amount of “wobble” is normal and should not be considered a defect. Servicing performed by unauthorized persons shall render the warranty invalid. There is no other express warranty. We hereby disclaim any and all warranties, including but not limited to those of merchantability and fitness for a particular purpose to the extent permitted by law. The duration of any implied warranty which cannot be disclaimed is limited to the time period as specified in the express warranty. Some states do not allow limitation on how long an implied warranty lasts, so the above limitation may not apply to you. The retailer shall not be liable for incidental, consequential, or special damages arising out of or in connection with product use or performance except as may otherwise be accorded by law. Some states do not allow the exclusion of incidental or consequential damages, so the above exclusion or limitation may not apply to you. This warranty gives specific legal rights, and you may also have other rights which vary from state to state. This warranty supersedes all prior warranties. Shipping costs for any return of product as part of a claim on the warranty must be paid by the customer.

Contact the Customer Service Team at 1-800-986 3460 or visit www.HOMEDEPOT.COM/HOMEDECORATORS

Pre-Installation

SPECIFICATIONS

Fan size	Speed	Volts	Amps	Watts	RPM	CFM	N.W.	G.W.	C.F.
70 in.	1	120	0.04	2	31	2032	10.6 kg (23.32 lb)	12.2 kg (26.84 lb)	2.69 ft.
	2		0.05	3	39	2695			
	3		0.06	3	48	3128			
	4		0.08	4	56	3894			
	5		0.10	6	64	4297			
	6		0.13	8	73	4929			
	7		0.17	11	82	5588			
	8		0.23	15	90	6243			
	9		0.38	26	107	7812			



NOTE: These are approximate measures. They do not include amps and wattage used by the light kit.



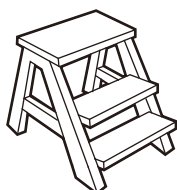
TOOLS REQUIRED



Phillips screwdriver



Flat blade screwdriver



Step ladder



Wire stripper



Electrical Tape

Pre-Installation (continued)

HARDWARE IN CLUDED



NOTE:Hardware shown to actual size unless noted otherwise in the table below.



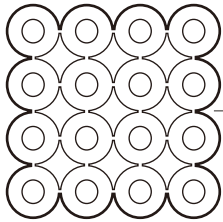
AA



FF



MM



BB



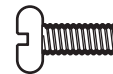
GG



NN



HH



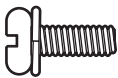
OO



II



PP



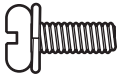
CC



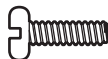
JJ



QQ



DD



KK



RR



EE



LL

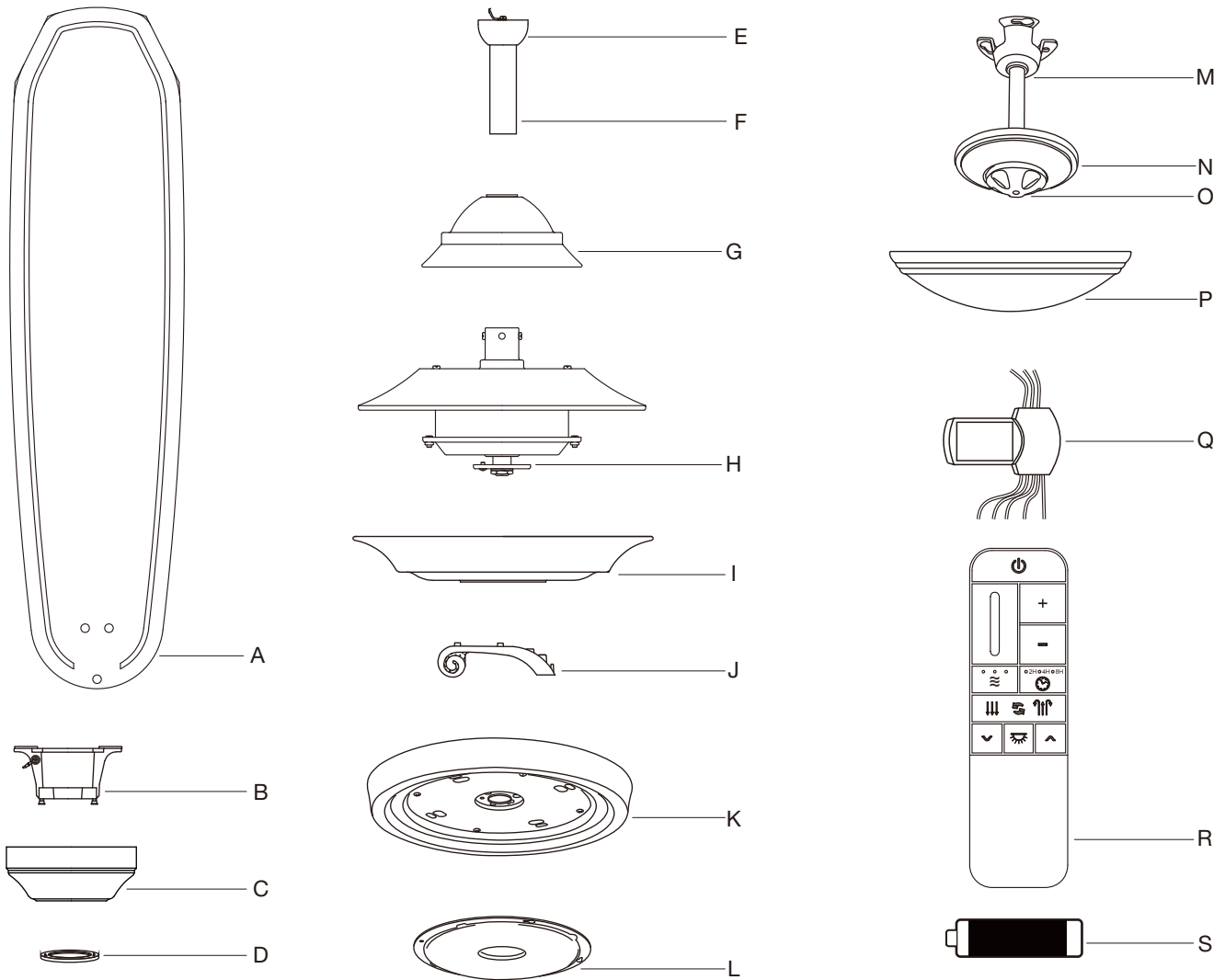


SS

Part	Description	Quantity
AA	Blade screw	16
BB	Fiber washer (not to scale)	16
CC	Blade holder screw	11
DD	Flywheel screw	5
EE	Light shade bracket screw	3
FF	Wire nut (P2)	8
GG	Cross pin (not to scale) (preassembled)	1
HH	Hitch pin (preassembled)	1
II	Lock pin (not to scale) (preassembled)	1
JJ	Hanger ball set screw (preassembled)	1
KK	Fan motor assembly coupling set screw (preassembled)	2
LL	Mounting bracket screw (preassembled)	2
MM	Fan motor assembly mounting ring screw (preassembled)	3
NN	Light kit plate screw (preassembled)	4
OO	Motor screw (preassembled)	5
PP	Rubber washer (preassembled)	1
QQ	Metal washer (preassembled)	1
RR	Hex nut (preassembled)	1
SS	Wire nut (P3)	1

Pre-Installation (continued)

PACKAGE CONTENTS



Part	Description	Quantity
A	Blade	5
B	Mounting bracket	1
C	Canopy	1
D	Canopy cover	1
E	Hanger ball (preassembled)	1
F	Downrod (preassembled)	1
G	Coupling cover	1
H	Fan motor assembly	1
I	Flywheel	1
J	Blade holder	5

Part	Description	Quantity
K	Light kit plate	1
L	26W LED assembly	1
M	Light shade bracket	1
N	Metal cap (preassembled)	1
O	Finial (preassembled)	1
P	Glass shade	1
Q	Receiver	1
R	Remote control	1
S	1.5V AAA Battery	2

Installation

MOUNTING OPTIONS



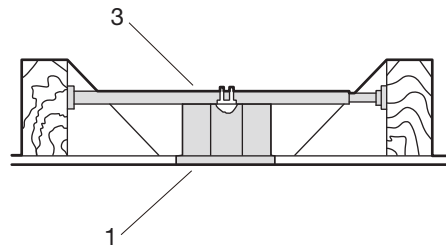
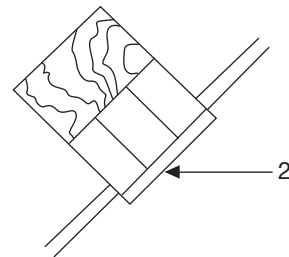
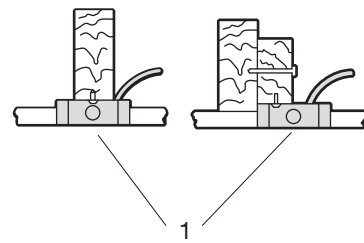
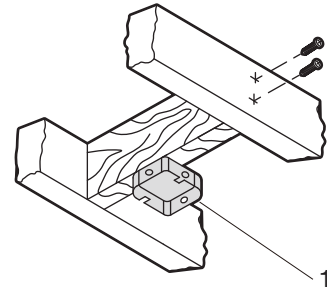
WARNING: To reduce the risk of fire, electric shock, or personal injury, mount the fan to an outlet box marked acceptable for fan support using the screws provided with the outlet box. An outlet box commonly used for the support of lighting fixtures may not be acceptable for fan support and may need to be replaced. If in doubt, consult a qualified electrician.

If your ceiling fan does not have an existing UL-listed mounting box, then install one using the following instructions:

- Disconnect the power by removing the fuses or turning off the circuit breakers.
- Secure the outlet box (1) (not included) directly to the building structure. Use appropriate fasteners and materials (not included). The outlet box and its bracing must be able to fully support the weight of the moving fan (at least 35 lbs.). Do not use a plastic outlet box.
- The illustrations to the right show three different ways to mount the outlet box (not included).
- To hang your fan where there is an existing fixture but no ceiling joist, you may need an installation hanger bar (3) (not included), as shown.



NOTE: You may need a longer downrod to maintain proper blade clearance when installing on a steep, sloped ceiling. The maximum angle allowable is 18°. If the canopy touches the downrod, remove the decorative canopy bottom cover and turn the canopy 180° before attaching the canopy to the mounting plate (2).



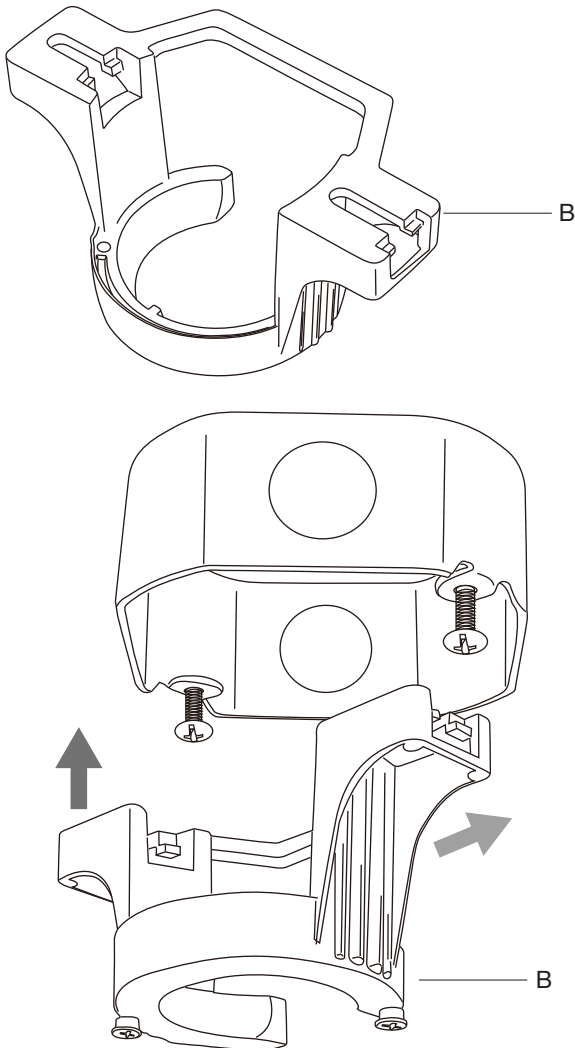
Assembly -Hanging the Fan

1 Attaching the mounting bracket to the electrical box



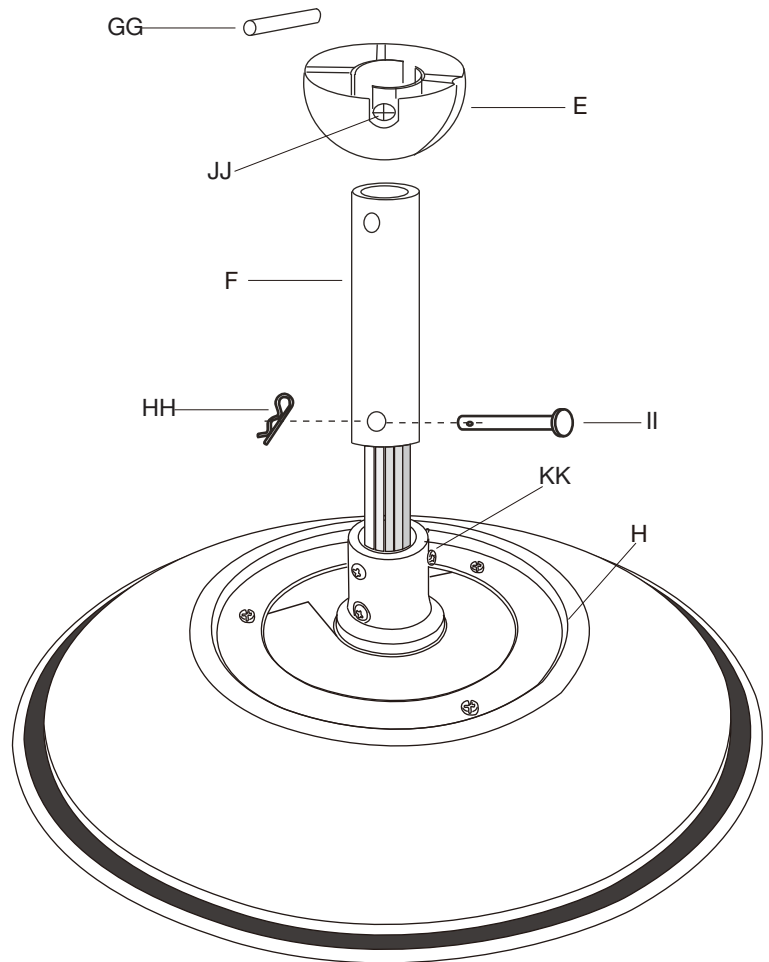
WARNING: To reduce the risk of fire, electric shock, or other personal injury, mount the fan only to an outlet box or supporting system marked acceptable for fan support and use the mounting screws provided with the outlet box.

- Place the slots from mounting bracket (B) over the two screws provided with the outlet box. Slide the mounting bracket (B) until it locks in place at the narrow section of the slots.
- Securely tighten the two mounting screws.



2 Attaching the downrod to the fan motor assembly

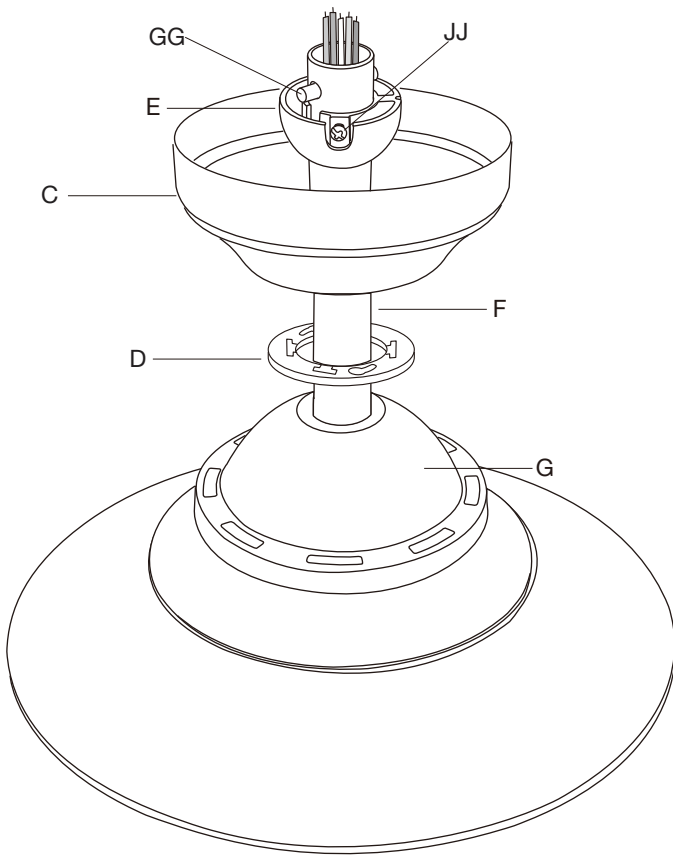
- Loosen the two set screws (KK) from the fan motor assembly (H) coupling.
- Remove the hitch pin (HH) and lock pin (II) from the downrod (F). Remove the hanger ball (E) from the downrod (F) by loosening the hanger ball set screw (JJ), and removing the cross pin (GG), then sliding the hanger ball (E) off of the downrod (F).
- Carefully feed the fan wires up through the downrod (F). Thread the downrod (F) into the fan motor assembly (H) coupling. Line up the holes and replace the lock pin (II) and the hitch pin (HH). Tighten the set screws (KK).



Assembly -Hanging the Fan (continued)

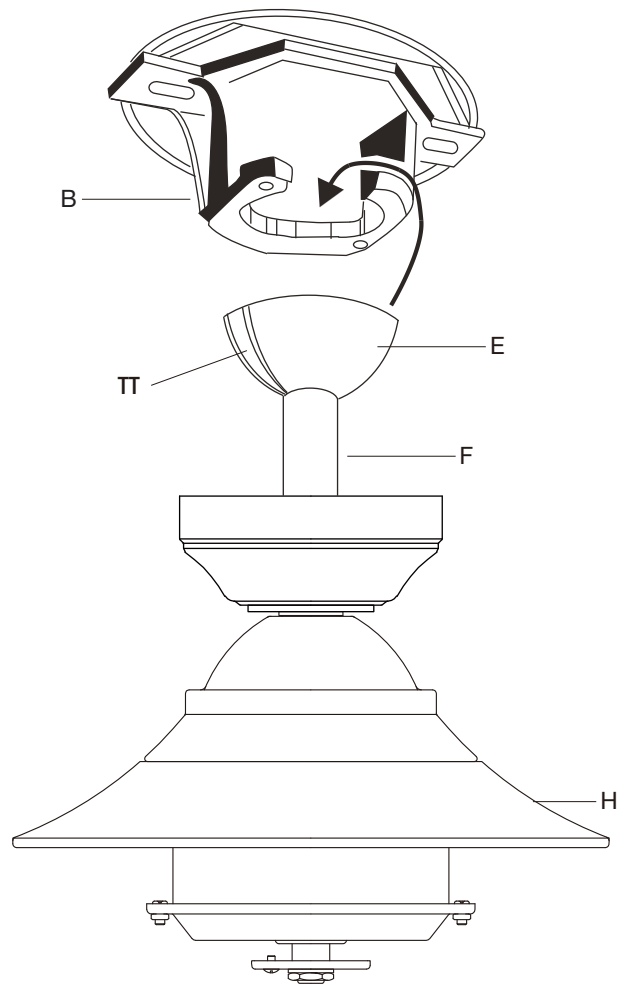
3 Attaching the coupling cover, canopy cover, and canopy to the downrod

- Slip the coupling cover (G), canopy cover (D), and canopy (C) onto the downrod (F). Carefully reinstall the hanger ball (E) onto the downrod (F), and ensure that the cross pin (GG) is in the correct position, the set screws (JJ) are tight, and the wires are not twisted.



4 Hanging the fan motor assembly to the mounting bracket

- Lift the fan motor assembly (H) into position, and place the hanger ball (E) into the mounting bracket (B). Rotate the fan motor assembly (H) until the check groove drops into the registration slot (TT) and seats firmly. The downrod (F) should not rotate if this is done correctly.



Assembly -Hanging the Fan (continued)

5 Making the electrical connections



WARNING: To avoid possible electrical shock, ensure the electricity is turned off at the main fuse box before wiring.



WARNING: To avoid possible electrical shock, ensure the electricity is turned off at the circuit breaker or main fuse box before wiring.



WARNING: Check to see that all connections are tight, including the ground, and that no bare wire is visible at the wire nuts, except for the ground wire.

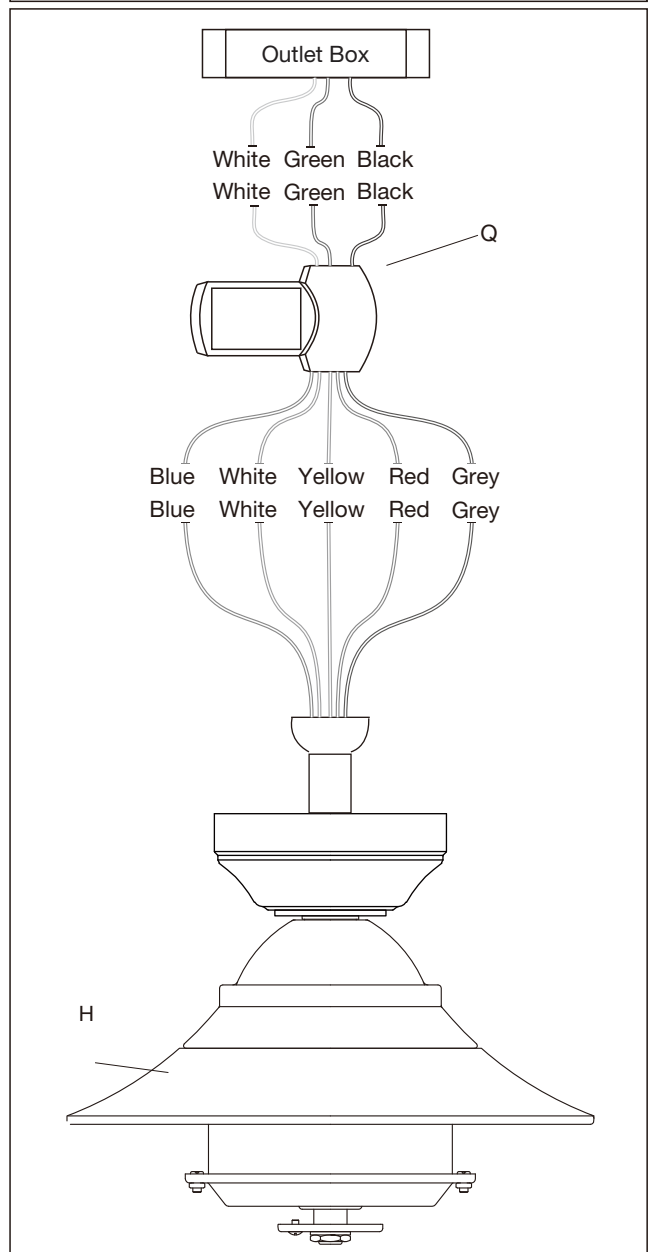
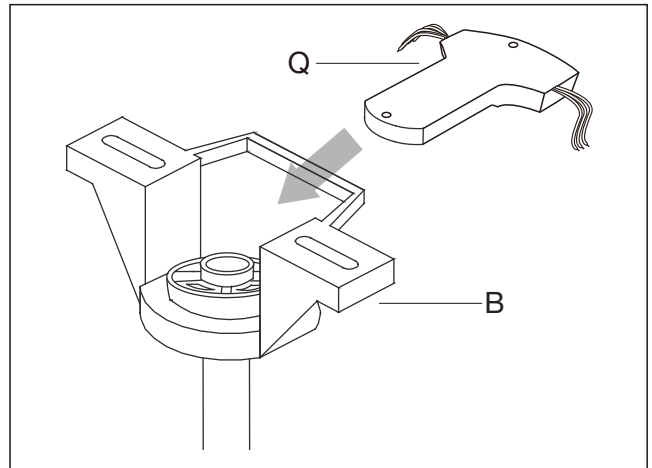
Insert the receiver (Q) into the mounting bracket (B) with the flat side of the receiver (Q) facing the ceiling.

Follow the steps below to connect the fan to your house supply wires. Secure the wire nuts supplied with your fan by wrapping the connections with electrical tape.

- **Motor to Receiver Electrical Connections:**
 Connect the **WHITE** wire from the fan to the **WHITE** wire marked "Light N" from the Receiver.
 Connect the **BLUE** wire from the fan to the **BLUE** wire marked "Light L" from the Receiver.
 Connect the **YELLOW** wire from the fan to the **YELLOW** wire marked "MOTOR 1" from the Receiver.
 Connect the **RED** wire from the fan to the **RED** wire marked "MOTOR 2" from the Receiver.
 Connect the **GREY** wire from the fan to the **GREY** wire marked "MOTOR 3" from the Receiver.

Note: Fan must be installed from a maximum distance of 40 feet from the transmitting unit for proper signal transmission between the transmitting unit and the fan's receiving unit.

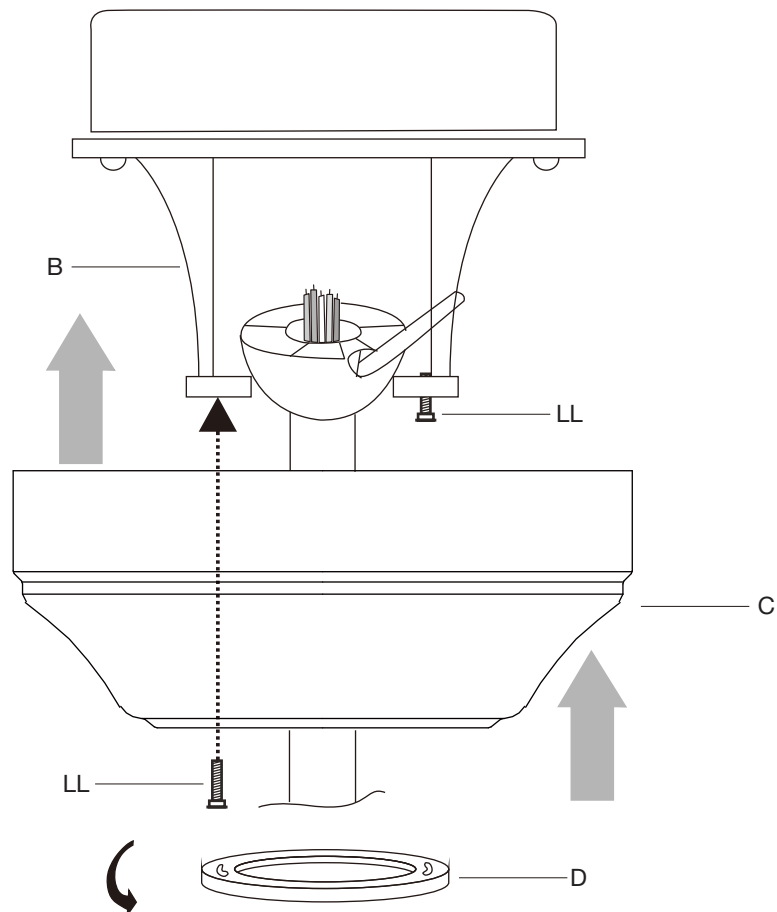
- **Receiver to House Supply Wires Electrical connections:**
 Connect the **WHITE** wire (Neutral) from the outlet box to the **WHITE** wire marked "AC in N" from the receiver.
 Connect the **BLACK** wire (Hot) from the outlet box to the **BLACK** wire marked "AC in L" from the receiver.
- If your outlet box has a **GROUND** wire (Green or Bare Copper), connect this wire to the Hanger Ball and Hanger Bracket and receiver Ground wires.
 If your outlet box does not have a Ground Wire, then connect the Hanger Ball and Hanger Bracket and Receiver Ground Wire together.
- Secure wire connection with the plastic P2 wire nuts (FF) provided. Especially, for the ground wires, please use P3 wire nut (SS) provided.
- After all splices are made, check to make sure there are no loose strands.



Assembly -Hanging the Fan (continued)

6 Securing the fan motor assembly to the mounting bracket

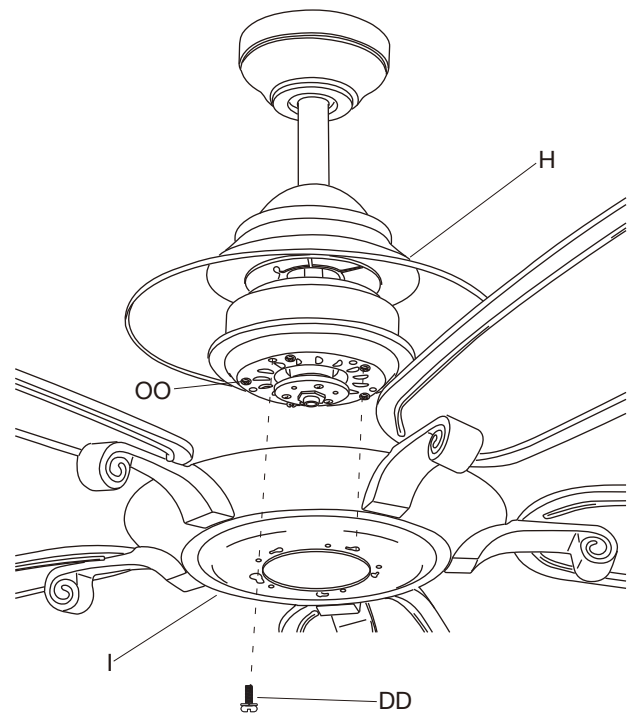
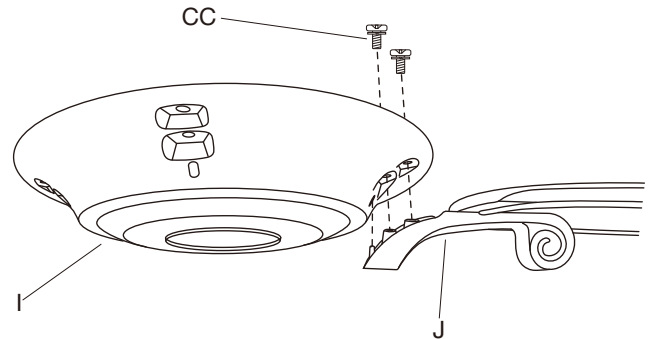
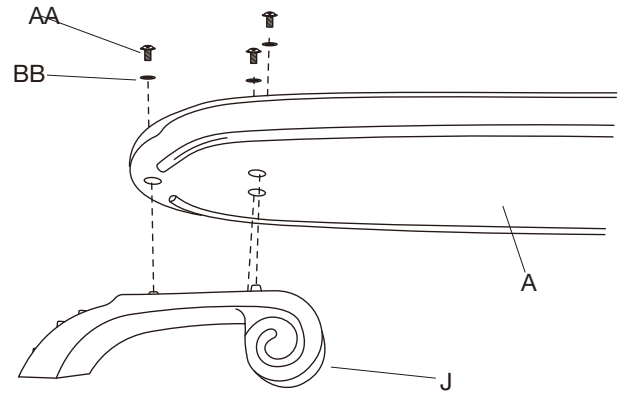
- Remove one screw (LL) from the mounting bracket (B) and loosen the other screw (LL) approximately 1/4 turn.
- Carefully raise the canopy (C) up to the mounting bracket (B), and ensure the loosened screw (LL) is inserted into the key hole on the canopy (C). Rotate the canopy (C) clockwise.
- Secure the canopy (C) by replacing the screw (LL) previously removed and tightening the screw (LL) previously loosened.
- Place the canopy cover (D) on the canopy (C), and rotate the canopy cover (D) clockwise until it locks into position.



Assembly -Attaching the Fan Blade Assemblies

7 Fastening the blade assemblies to the fan motor assembly

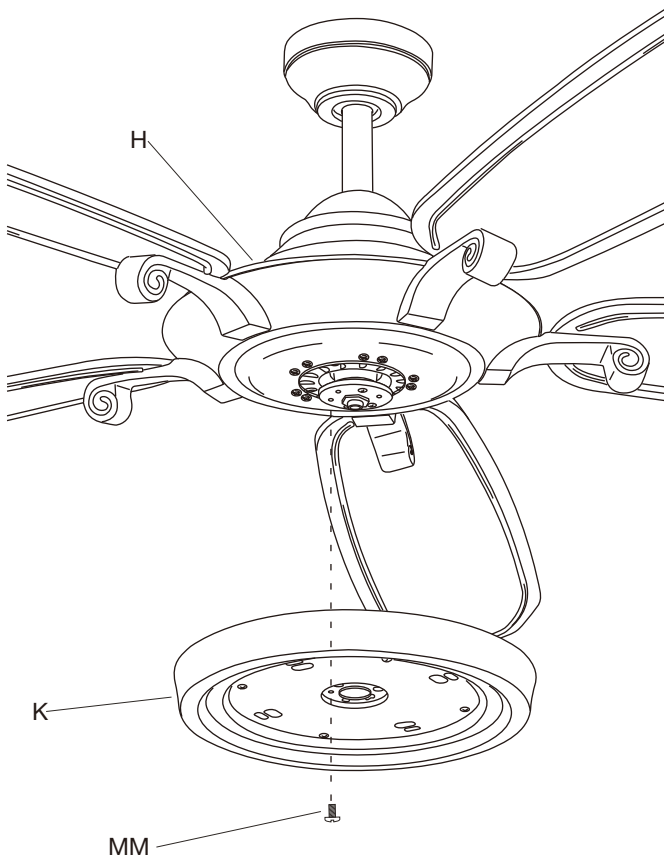
- Attach the fan blades (A) to the blade holders (J) by using three blade screws (AA) and fiber washers (BB). Tighten screws (AA) and fiber washers (BB) securely.
- Fasten the blade holders (J) to the flywheel (I) with the blade holder screws (CC).
- Loosen the motor screws (OO) on the motor assembly (H). Place the slot holes of the flywheel (I) over the motor screws (OO) previously loosened and attach the flywheel screws (DD). Tighten all screws.



Assembly -Installing the Light Kit

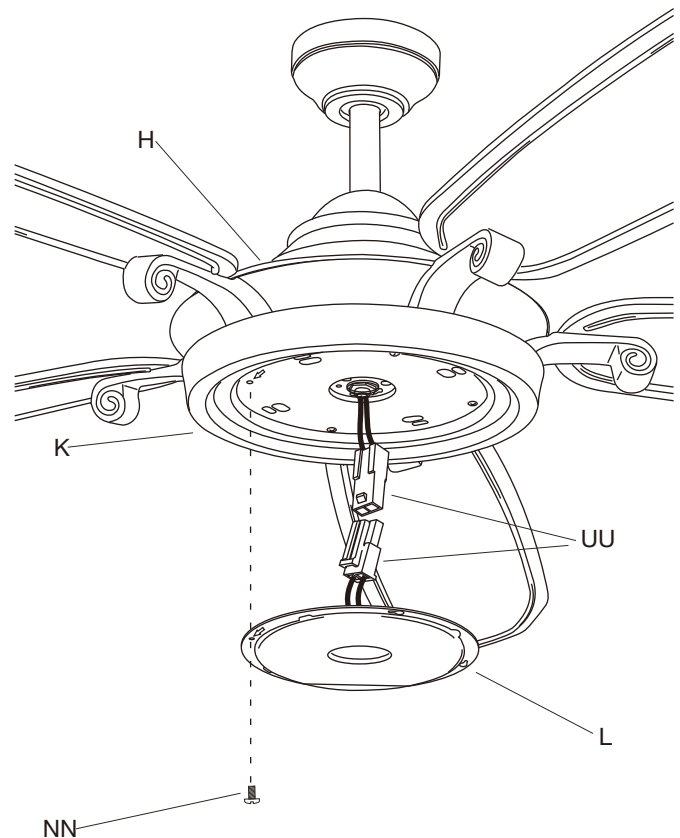
8 Attaching the light kit plate to the mounting ring

- Remove one of three screws (MM) from the fan motor assembly (H) mounting ring, and loosen the other two screws (MM), but do not remove.
- Place the key holes from the light kit plate (K) over the two screws (MM) previously loosened from the fan motor assembly (H) mounting ring. Turn the light kit plate (K) until it locks in place at the narrow section of the key holes. Secure by tightening the two screws (MM) previously loosened and the one screw (MM) previously removed.



9 Attaching the 26W LED Assembly to the light kit plate

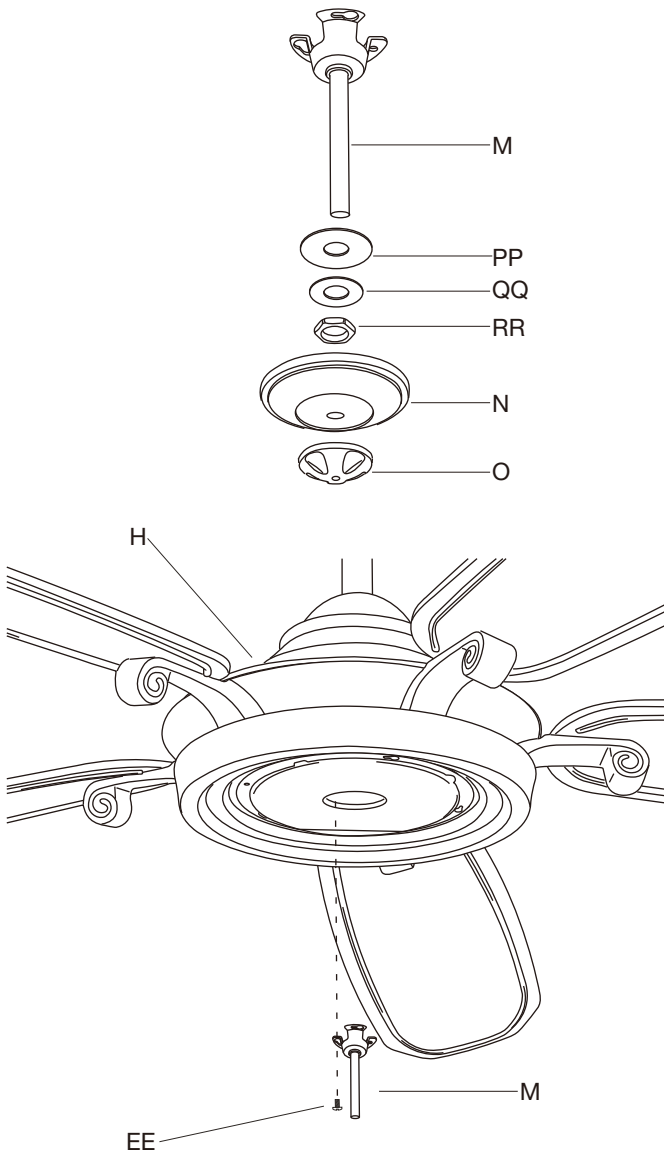
- Remove one of four screws (NN) from the light kit plate (K), and loosen the other three screws (NN), but do not remove.
- Align the arrows on the 26W LED assembly (L) and Light Kit Plate (K). Place the key holes from the 26W LED assembly (L) over the three screws (NN) previously loosened from the light kit plate (K). Turn the 26W LED assembly (L) until it locks in place at the narrow section of the key holes. Secure by tightening the three screws (NN) previously loosened and the one screw (NN) previously removed.
- Firmly snap the wire connection plugs (UU) from the motor assembly (H) and the 26W LED assembly (L) together.



Assembly -Installing the Light Kit(continued)

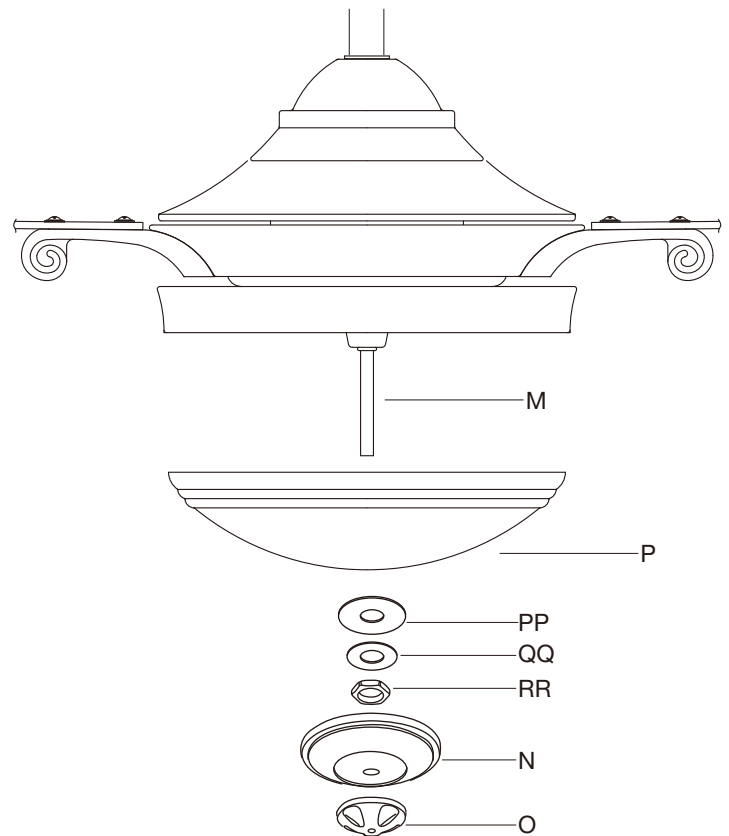
10 Attaching the light shade bracket to the mounting ring

- Remove the rubber washer (PP), metal washer (QQ), hex nut (RR), metal cap (N) and Finial (O) from the light shade bracket (M).
- Attach the fan light shade bracket (M) to the fan motor assembly (H) mounting ring by using three light shade bracket screws (EE).



11 Installing the glass shade

- Place the glass shade (P) over the light shade bracket (M) stem, and secure with the rubber washer (PP), metal washer (QQ), hex nut (RR), metal cap (N) and finial (O). Do not over-tighren.



Operation

Installing the batteries



CAUTION: Do not use with a wall light dimmer switch.

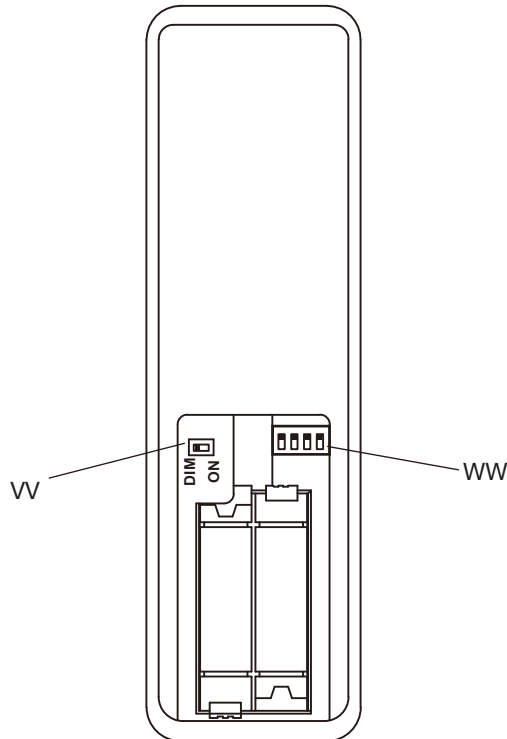


NOTE: The battery will weaken with age and should be replaced before leaking takes place as this will damage the remote control. Dispose of used battery properly and keep the battery out of the reach of children.



NOTE: The remote ships from the factory with the dip switch (VV) set to DIM. The light's dimming capability will be lost if the dip switch (VV) is switched to the ON position.

- Remove the battery cover by pressing on the arrow and sliding the cover off.
- Install two 1.5V AAA batteries (S).
- Replace the battery cover on the remote control.




Operation (continued)

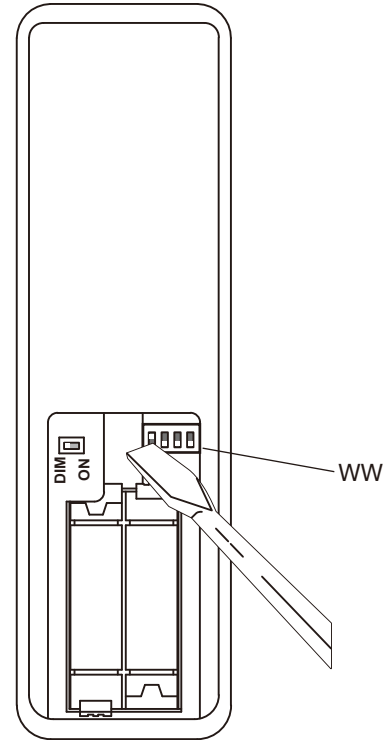
Learning process




NOTE: The control system for this DC motor fans is equipped with a learning frequency function which has 16 code combinations to prevent potential interference from other remote units. The frequency on your Receiver and Transmitter units have been preset at the factory. No frequency change is necessary.

If the fan is non-functional or if you desire to install another fan within the same home or area with a separate frequency code, please see this "learning process" section of this instruction manual to code-comparing the receiver and transmitter.

- Turn the power off to your ceiling fan.
- Please use a small size tool to change the frequency settings on the control system(ww).
- Return power to the unit.
- Within 60 seconds of turning the fan's AC power ON, press and hold the  (FAN ON/OFF) button for 10 seconds to enter the learning function.



NOTE: After the AC power is on, do not press any other button on the remote control before pressing the  (FAN ON/OFF) button. Doing so will cause the procedure to fail.

- Once the receiver has detected the set frequency, the down light of your fan if applicable will blink twice.(there is no indication if your fan is not equipped with a light).
- The receiver has now learn the frequency which has been selected on the transmitter. After completing the steps above, you should be able to operate the ceiling fan and light. If the fan is not responding to the transmitter. please turn the power off to the receiver, and repeat the process.


Operation (continued)

1. Fan  button. - Press and release the  button to turn the fan on or off.



NOTE: The fan has memory function , it will resume the speed setting on the fan prior to the power being turned off. And The LED bar will display the speed settings for 5 seconds after the button is released.

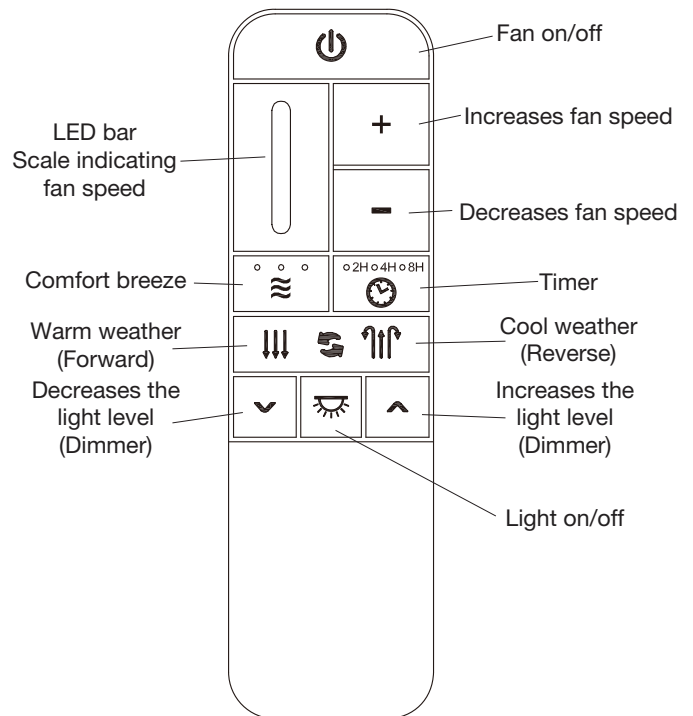


NOTE: If you are currently using Comfort breeze mode, pressing the  button will cancel Comfort breeze mode and resume normal fan operation

2.Speed functions


+button, increases the fan speed

- Pressing and releasing the + button one time will increase the speed of the fan. Each setting increase will cause the LED bar to illuminate slightly more, until the fan has reached the maximum speed setting. At that time the LED bar will be fully illuminated.
 - Pressing and holding the + button will increase the fan speed automatically through the speed settings and the increments will be displayed on the LED bar. When the LED bar is fully illuminated, the fan has reached maximum speed setting.
 - Pressing the + button while in Comfort breeze mode, will automatically cancel the Comfort breeze mode and resume normal fan operation.
- button, decreases the fan speed
- Pressing and releasing the - button one time will decrease the speed of the fan. Each setting decrease will cause the LED bar to dim slightly more, until the fan has reached the minimum speed setting. At that time the LED bar will be approximately 25% illuminated.
 - Pressing and holding the - button will decrease the fan speed automatically through the speed settings and the increments will be displayed on the LED bar. When the LED bar is 25% illuminated, the fan has reached minimum speed setting.
 - Pressing the - button while in Comfort breeze mode, will automatically cancel the Comfort breeze mode and resume normal fan operation.

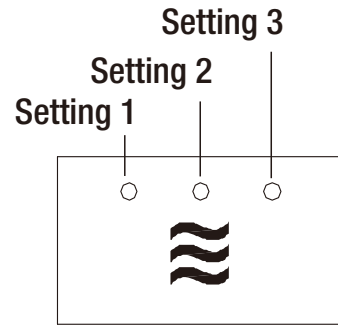


Operation (continued)

3. Comfort breeze

There are three Comfort breeze settings. Pressing the  button will activate the Comfort breeze mode.

- Setting 1: Alternates through speeds 1-3.
- Setting 2: Alternates through speeds 4-6.
- Setting 3: Alternates through speeds 7-9.



4. Timer



NOTE: You must turn the fan on prior to using the timer function.



- Pressing the timer button will activate the timer function. The fan will automatically turn fan and light(if light is on)off after 2,4 or 8 hours.
When you activate the timer function, the LED of time above the clock will illuminate.

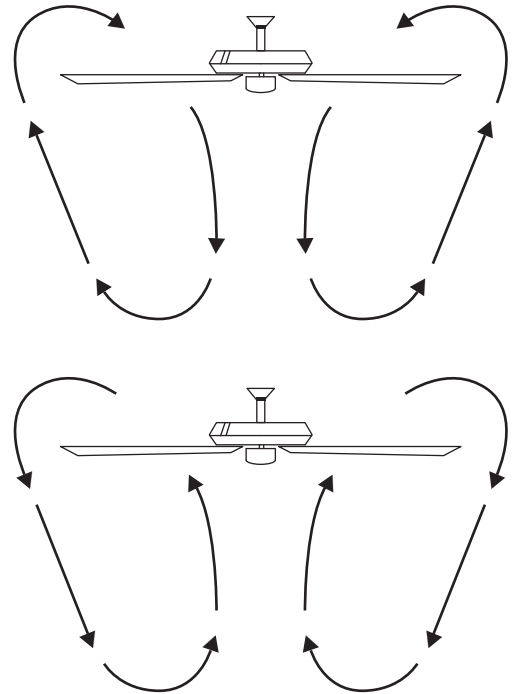


5. Fan reverse button



NOTE: to change the direction of the rotation of the blades the fan must be in operation.

- Warm weather: pressing the  button.
(forward) A downward air flow creates a cooling effect. This allows you to set your air conditioner on a higher setting without affecting your comfort.
- Cool weather: press the  button
(reverse) An upward air flow moves warm air off the ceiling. This allows you to set your heating unit on a lower setting without affecting your comfort.





6. Light

- Press and release the light button to turn the light on or off.



NOTE: The fan has memory function. It will resume the light setting (on or off and dim)prior to the power being turned off.

7. Dimmer

- Press  to increase the desired light level.
- Press  to decrease the desired light level.

Care and Cleaning

Do

- Check the support connections, brackets, and blade attachments twice a year. Ensure they are secure. Because of the fan's natural movement, some connections may become loose over time. It is not necessary to remove the fan from the ceiling.
- Clean your fan periodically. Use only a soft brush or lint-free cloth to avoid scratching the finish. The plating is sealed with a lacquer to minimize discoloration or tarnishing.
- (Optional) Apply a light coat of furniture polish to the wood blades.
- (Optional) Cover small scratches with a light application of shoe polish.




Do not

- Do not use water when cleaning. Water could damage the motor, or the wood, or possibly cause an electrical shock.
- Do not apply oil to your fan or motor. The motor has permanently-lubricated sealed ball bearings.

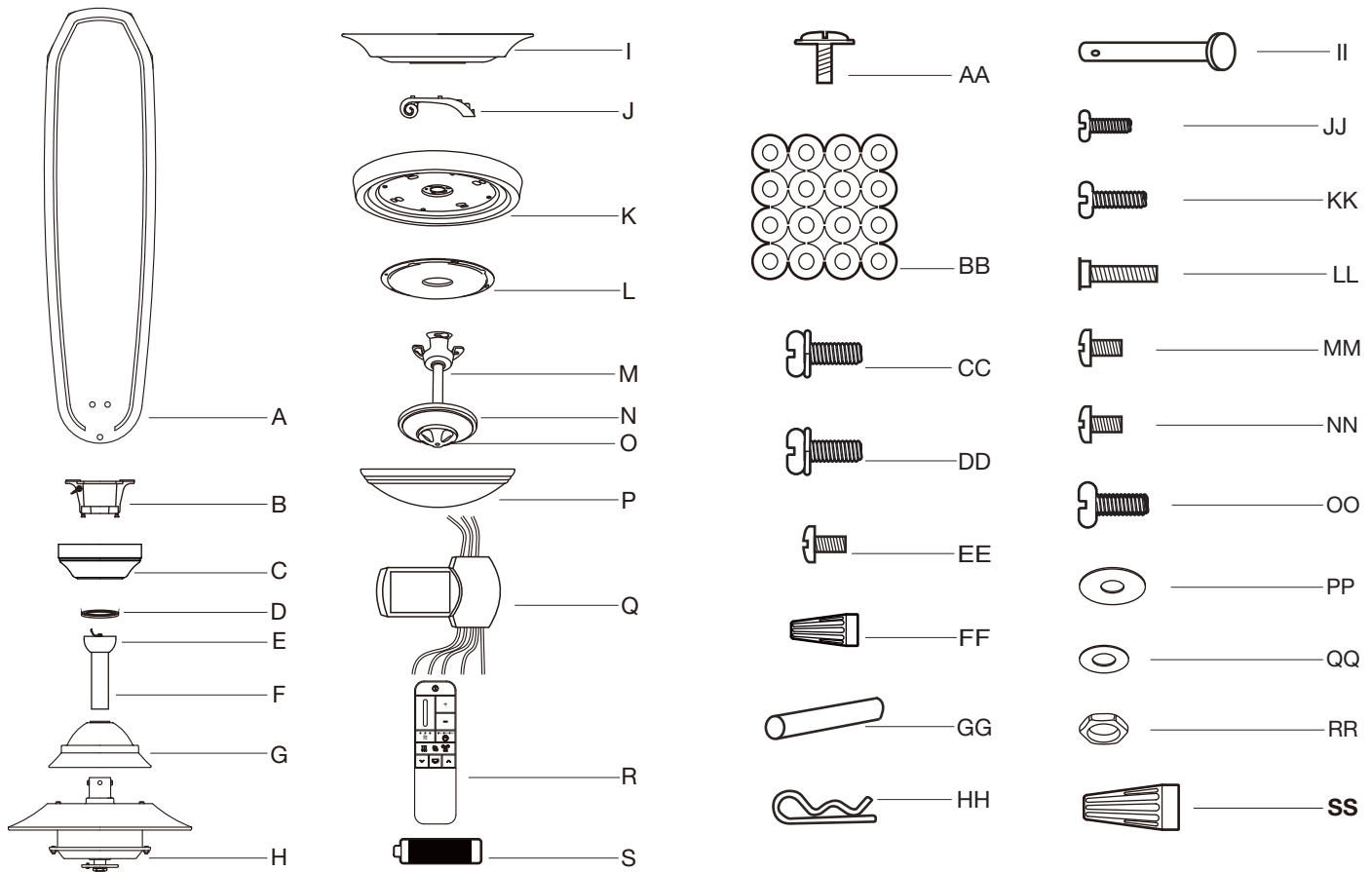
Troubleshooting



WARNING: Ensure the power is off at the electrical panel box before you attempt any repairs. Refer to the section "Making the Electrical Connections" on page 10.

Problem	Solution
The fan will not start.	<input type="checkbox"/> Check main and branch circuit fuses or breakers.
	<input type="checkbox"/> Check line wire connections to the fan and switch wire connections in the switch housing.
The fan sounds noisy.	<input type="checkbox"/> Make sure all motor housing screws are snug.
	<input type="checkbox"/> Make sure the screws that attach the fan blade arm to the motor hub are tight.
	<input type="checkbox"/> Make sure wire nut connections are not rattling against each other or the interior wall of the switch housing.
	<input type="checkbox"/> Allow a 24-hour "breaking-in" period. Most noises associated with a new fan disappear during this time.
	<input type="checkbox"/> If using the ceiling light kit, make sure the screws securing the glassware are tight. Check that the light bulb is also secure.
	<input type="checkbox"/> Make sure there is a short distance from the ceiling to the canopy. It should not touch the ceiling.
The remote control is not working.	<input type="checkbox"/> Make sure your ceiling box is secure and rubber isolator pads are used between the mounting bracket and outlet box.
	<input type="checkbox"/> Do not connect the fan with wall mounted variable speed control(s).
The fan wobbles.	<input type="checkbox"/> Check that all blade and blade arm screws are secure.
	<input type="checkbox"/> Most fan wobble problems are caused when blade levels are unequal. Check this level by selecting a point on the ceiling above the tip of one of the blades. Measure from a point on the center of each blade to the point on the ceiling. Rotate the fan until the next blade is positioned for measurement. Repeat for each blade. Measurements deviation should be within 1/8 in. Run the fan for 10 minutes.
	<input type="checkbox"/> Use the enclosed blade balancing kit if the blade wobble is still noticeable.
Frequency Interference	<input type="checkbox"/> Turn the power off to your ceiling fan.
	<input type="checkbox"/> Please use a small size tool to change the frequency settings on the control system.
	<input type="checkbox"/> Return power to the unit. Note: After the AC power is on, do not press any other button on the transmitter before pressing the "  (FAN ON/OFF) " button, doing so will cause the procedure to fail.
	<input type="checkbox"/> Within 60 seconds of turning the fan's AC power ON. Press the transmitter's "(FAN  ON/OFF)" button and hold the "  (FAN ON/OFF)" button for 10 seconds.
	<input type="checkbox"/> Once the receiver has detected the set frequency, the down light of your fan if applicable will blink twice. (there is no indication if your fan is not equipped with a light).
	<input type="checkbox"/> The receiver has now learn the frequency which has been selected on the transmitter. After completing the steps above, you should be able to operate the ceiling fan and light. If the fan is not responding to the transmitter. please turn the power off to the receiver, and repeat the process.

Service Parts



Part	Description
A	Blade
B	Mounting bracket
C	Canopy
D	Canopy cover
E	Hanger ball
F	Downrod
G	Coupling cover
H	Fan motor assembly
I	Flywheel
J	Blade holder
K	Light kit plate
L	26W LED assembly
M	Light shade bracket
N	Metal cap
O	Finial
P	Glass shade
Q	Receiver
R	Remote control
S	1.5V AAA Battery

Part	Description
AA	Blade screw
BB	Fiber washer
CC	Blade holder screw
DD	flywheel screw
EE	Light shade bracket screw
FF	Wire nut (P2)
GG	Cross pin
HH	Hitch pin
II	Lock pin
JJ	Hanger ball set screw
KK	Fan motor assembly coupling set screw
LL	Mounting bracket screw
MM	Fan motor assembly mounting ring screw
NN	Light kit plate screw
OO	Motor screw
PP	Rubber washer
QQ	Metal washer
RR	Hex nut
SS	Wire nut (P3)

HOME

DECORATORS

C O L L E C T I O N

**Questions, problems, missing parts? Before returning to the store,
call Home Decorators Collection Customer Service
8 a.m. - 7 p.m., EST, Monday-Friday,
9 a.m. - 6 p.m., EST, Saturday**

1-800-986 3460

HOMEDEPOT.COM/HOMEDECORATORS

Retain this manual for future use.