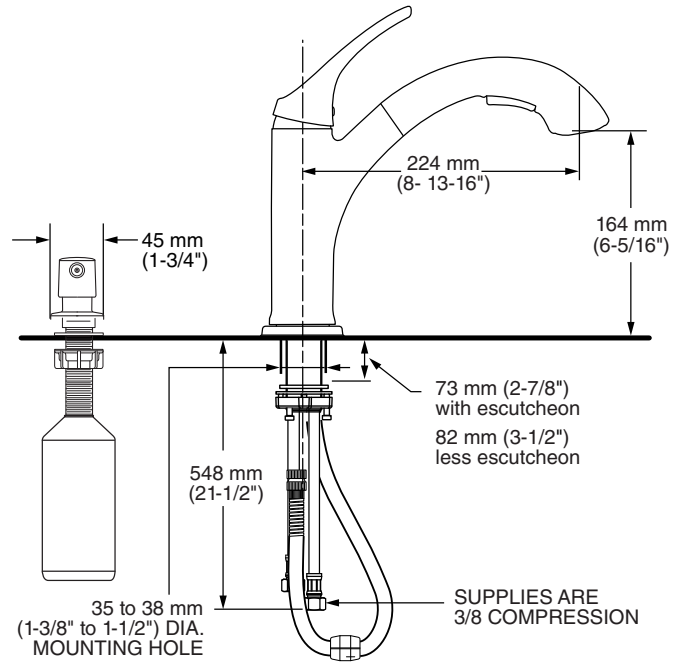
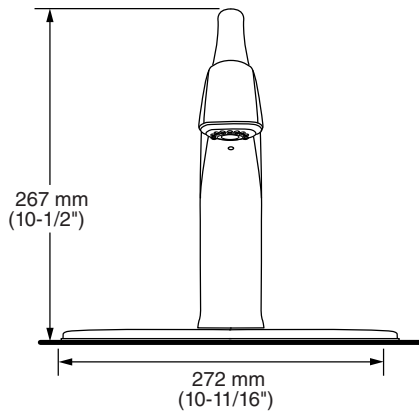




MODEL NUMBER:

- **4145SSF** Pull-Out Kitchen Faucet with Soap Dispenser. Stainless Steel Finish. SKU #1001-305-792



GENERAL DESCRIPTION:

Metal body and metal deck plate. Swivel pull-out spray spout. Adjustable spray pattern with push button activation. Nylon reinforced hose complete with two integral check valves. Washerless 40 mm ceramic disc valve cartridge with integral hot limit safety stop. Braided flexible supply hoses with 3/8" compression connections. Brass mounting shank with brass fixation ring. 1.8 gpm/6.8 L/min. maximum flow rate. Can be mounted with or without supplied metal deck-plate.

PRODUCT FEATURES:

- Ceramic Disc Valve Cartridge:** Assures smooth, precise valve control and a lifetime of drip-free, maintenance-free performance.
- Memory Position Valving:** Allows user to turn valve on and off at preferred temperature setting without readjusting handle position each time.
- Adjustable Hot Limit Safety Stop:** Limits the amount of hot water allowed to mix with cold. Reduces the risk of accidental scalding.
- Lead Free:** Faucet contains ≤ 0.25% total lead content by weighted average.
- Integral Check Valves:** Prevents back flow.
- Pull-Out Spray Spout:** Switches water flow from a stream to a spray. Simplifies even the most difficult cleaning tasks.

SUGGESTED SPECIFICATION

Single control kitchen faucet shall feature a swivel pull-out spray spout, metal deck plate and metal lever handle. Shall also feature washerless ceramic disc valve cartridge with integral hot limit safety stop, flexible supply hoses and two integral check valves. Fitting shall be American Standard Model # 4145SSF. SKU # 1001-305-792.

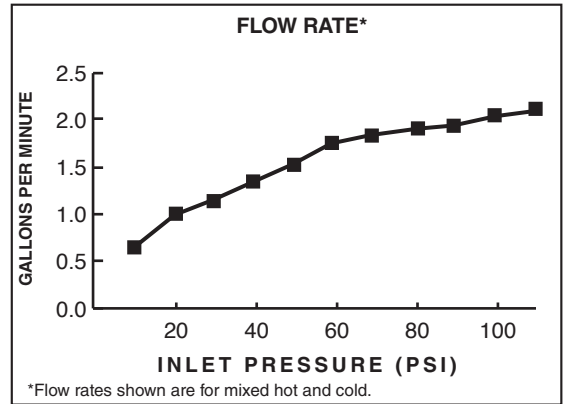


BARTON™ SINGLE CONTROL KITCHEN FAUCET WITH PULL-OUT SPRAY


CODES AND STANDARDS

These products meet or exceed the following codes and standards:

- ANSI A117.1
- ASME A112.18.1
- CSA B125.1
- NSF 61/Section 9
- NSF 372



Product Number	Description
4145SSF	Pull-Out Kitchen Faucet - Stainless Steel Finish. SKU # 1001-305-792

 Meets the American Disabilities Act Guidelines and **ANSI A117.1** Requirements for the physically challenged.