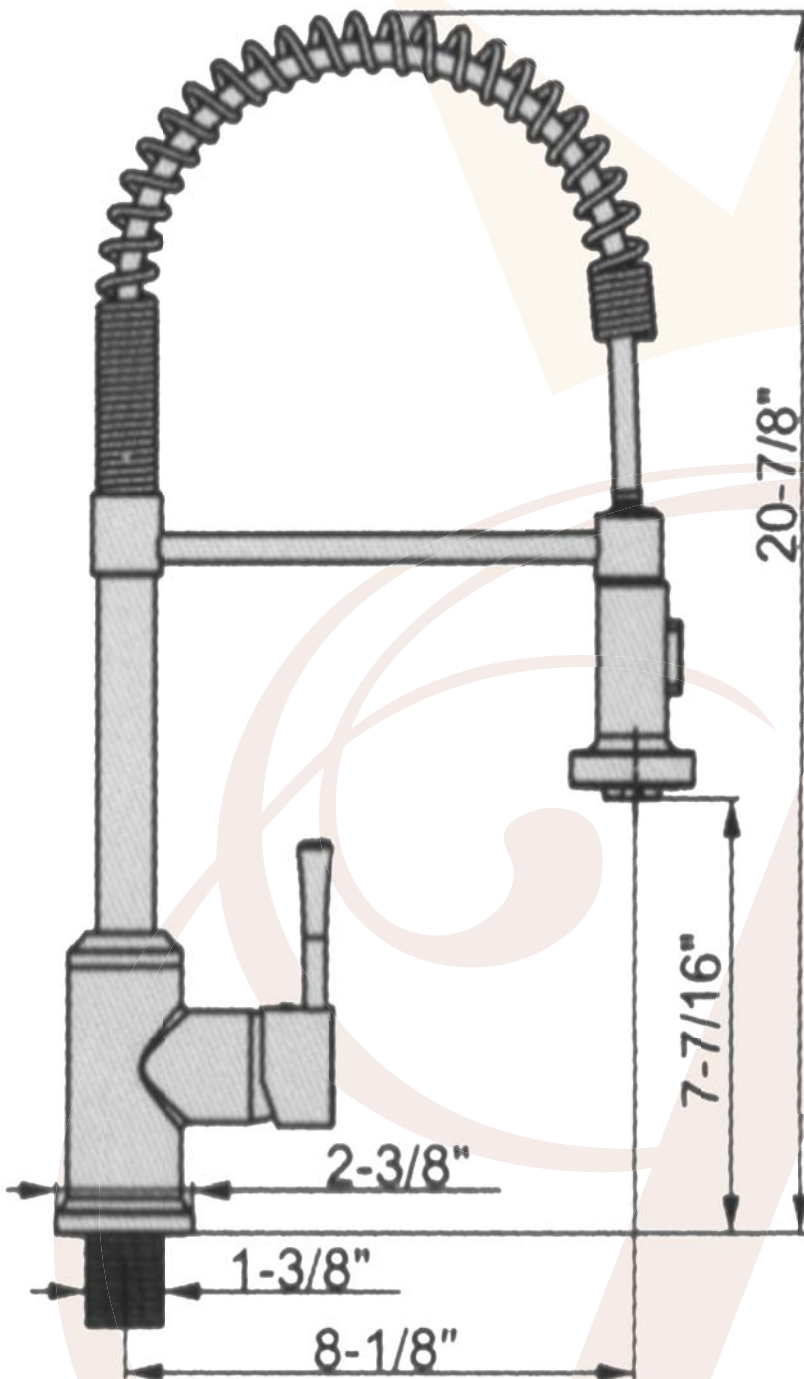




BRIENZA  
by ITALIA



MODEL

BRN-SPRK

AVAILABLE FINISHES

- Antique Copper (AC)
- Brushed Nickel (BN)
- Chrome (CP)
- Oil Rubbed Bronze (ORB)

PRODUCT FEATURES

- 1.8 gpm (8.3 Lpm) @ 60 psi
- Two (2) function spray head (spray/stream)
- Ceramic Disc Cartridge
- Cast Brass Valve Body
- Metal Lever Handle
- 100% Factory Pressure Tested

STANDARDS



- IAPMO UPC/cUPC
- NSF 61-9



- AMSE A112.18.1
- CSA B125



- CA AB-1953 (less than .025% lead content)



- ADA Accessibility Guidelines for Buildings and Facilities 4.27.4 Controls and Mechanisms