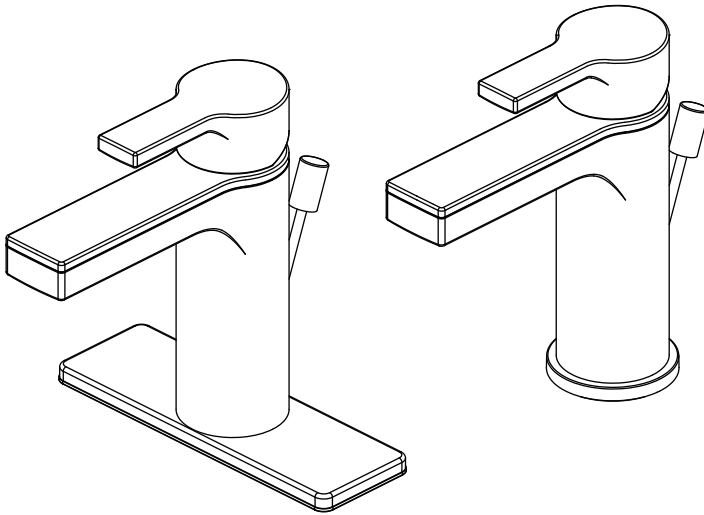




| Internet# | Model#          | SKU#       |
|-----------|-----------------|------------|
| 304778425 | HD67771W-6001   | 1003120605 |
| 304778432 | HD67771W-6004   | 1003120608 |
| 304353791 | HD67771W-6091   | 1003015458 |
| 304353694 | HD67771W-6076   | 1003015463 |
| 304353807 | HD67771W-6085   | 1003015439 |
| 304353682 | HD67771W-6010H  | 1003015470 |
| 304778439 | HD67771W-6027D  | 1003128078 |
| 304353683 | HD67771W-609002 | 1003015468 |

# INSTALLATION AND CARE GUIDE

## SINGLE-HANDLE LAVATORY FAUCET



### Questions, problems, missing parts?

Before returning to the store, call Glacier Bay Customer Service  
8 a.m. - 7 p.m., EST, Monday - Friday  
9 a.m. - 6 p.m., EST, Saturday

1-855-HD-GLACIER (1-855-434-5224)

[HOMEDEPOT.COM](http://HOMEDEPOT.COM)

### THANK YOU

We appreciate the trust and confidence you have placed in Glacier Bay through the purchase of this lavatory faucet. We strive to continually create quality products designed to enhance your home. Visit us online to see our full line of products available for your home improvement needs. Thank you for choosing Glacier Bay!

# Table of Contents

|                                   |   |                         |    |
|-----------------------------------|---|-------------------------|----|
| Important Information .....       | 2 | Installation .....      | 4  |
| Warranty .....                    | 2 | Operation.....          | 9  |
| Pre-Installation .....            | 2 | Care and Cleaning ..... | 9  |
| Planning Installation .....       | 2 | Troubleshooting.....    | 10 |
| Tools and Hardware Required ..... | 2 | Service Parts.....      | 11 |
| Package Contents .....            | 3 |                         |    |

## Important Information

- Observe all local plumbing and building codes.
- Cover the sink drain to avoid losing any parts.
- Review the care and cleaning section included in this guide.

## Warranty

### LIMITED LIFETIME WARRANTY

Glacier Bay products are manufactured with superior quality standards and workmanship and are backed by our limited lifetime warranty. Glacier Bay products are warranted to the original consumer purchaser to be free of defects in materials or workmanship. We will replace FREE OF CHARGE any product or parts that proves defective. Simply, return the product / part to any of The Home Depot retail locations or call 1-855-HD-GLACIER (1-855-434-5224) to receive the replacement item. Proof of purchase (original sales receipt) from the original consumer purchaser must be made available for all Glacier Bay warranty claims.

This warranty excludes incidental/inconsequential damages and failures due to misuse, abuse or normal wear and tear. This warranty excludes all industrial, commercial and business usage, whose purchasers are hereby extended a five year limited warranty from the date of purchase, with all other terms of this warranty applying except the duration of warranty.

Some states and provinces do not allow the exclusion or limitation of incidental or consequential damages, so the above limitations may not apply to you. This warranty gives you specific legal rights and you may also have other rights that vary from state to state and province to province. Please see a store or contact 1-855-HD-GLACIER for more details.

Contact the Customer Service Team at 1-855-434-5224 or visit [www.HomeDepot.com](http://www.HomeDepot.com).

## Pre-Installation

### PLANNING INSTALLATION

Before beginning the installation of this product, ensure all parts are present. Compare parts with the Package Contents list. If any part is missing or damaged, do not attempt to install the product. Contact Customer Service for replacement parts.

### TOOLS AND HARDWARE REQUIRED



Adjustable wrench



Safety goggles



Silicone sealant



(2) Supply lines



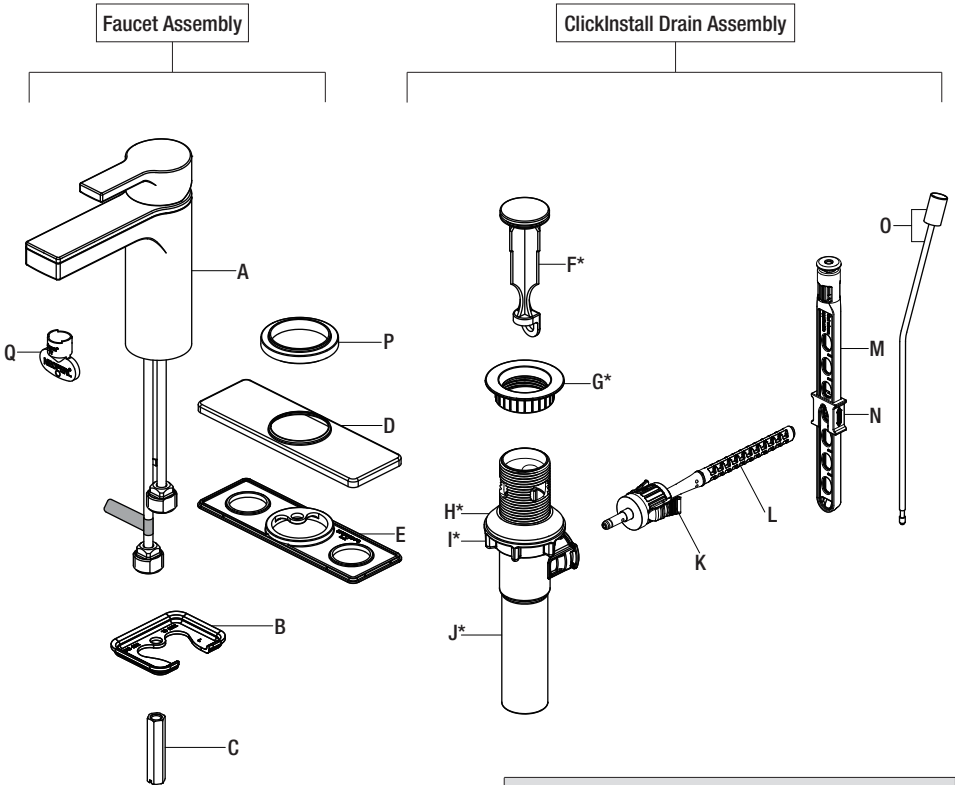
Pliers



Hacksaw

# Pre-Installation (continued)

## PACKAGE CONTENTS



 NOTE: \*Items F - J come pre-assembled.

| Part | Description    | Quantity |
|------|----------------|----------|
| A    | Faucet         | 1        |
| B    | Washer         | 1        |
| C    | Lock nut       | 1        |
| D    | Deck plate     | 1        |
| E    | Gasket         | 1        |
| F    | Pop up stopper | 1        |
| G    | Pop-up flange  | 1        |
| H    | Rubber washer  | 1        |
| I    | Lock nut       | 1        |

| Part | Description    | Quantity |
|------|----------------|----------|
| J    | Drain body     | 1        |
| K    | Joint          | 1        |
| L    | Horizontal rod | 1        |
| M    | Lift rod strap | 1        |
| N    | Clip           | 1        |
| O    | Lift rod       | 1        |
| P    | Flange         | 1        |
| Q    | Plastic wrench | 1        |

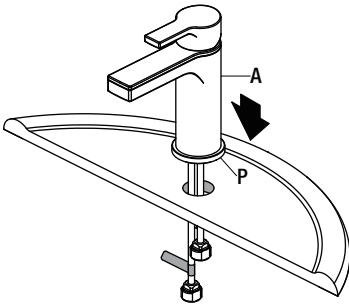
# Installation

## 1 Installing the faucet assembly

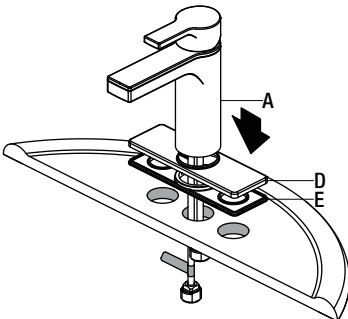


**CAUTION:** Always shut off the water supply before removing an existing faucet or replacing any part of a faucet. Open the faucet handle to relieve water pressure and ensure that the water is completely shut off.

- Shut off the water supply. Remove the old faucet.
- Clean the mounting surface.
- Remove the preassembled lock nut (C) and washer (B) from the new faucet (A).
- **WITH FLANGE:** Before installation, ensure that the flange (P) is placed on the bottom of the new faucet (A). Place the faucet (A) through the mounting holes in the sink until the faucet (A) sets on top of the sink.



- **WITH DECK PLATE:** Before installation, remove the flange (P). Align the hole in the gasket (E) and deck plate (D) with the mounting hole in the sink. Place the faucet (A) through the deck plate (D) and mounting hole in the sink until the faucet (A) sets on top of deck plate (D).



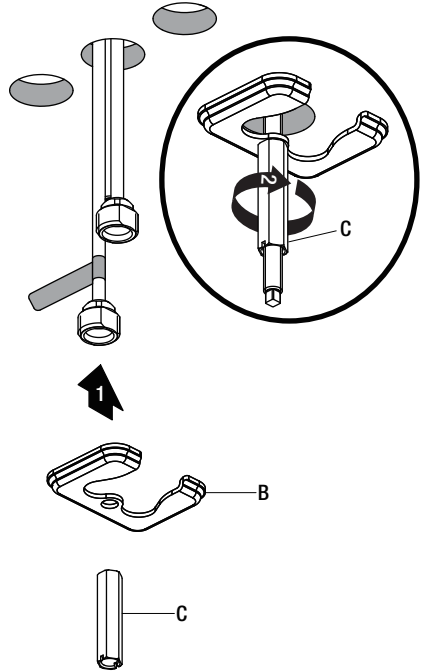
**NOTE:** If the sink is uneven, use silicone under the gasket (E).

## 2 Securing the faucet

- Secure the faucet (A) to the sink using the washer (B) and lock nut (C) provided.



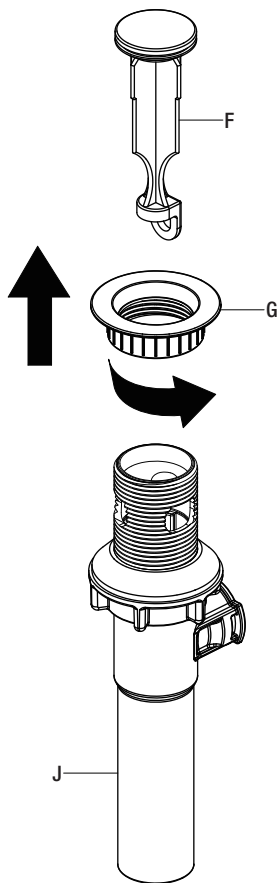
**NOTE:** When you insert the lift rod (D), the lift rod (D) can go through the faucet (A) and down into the slot of the washer (B).





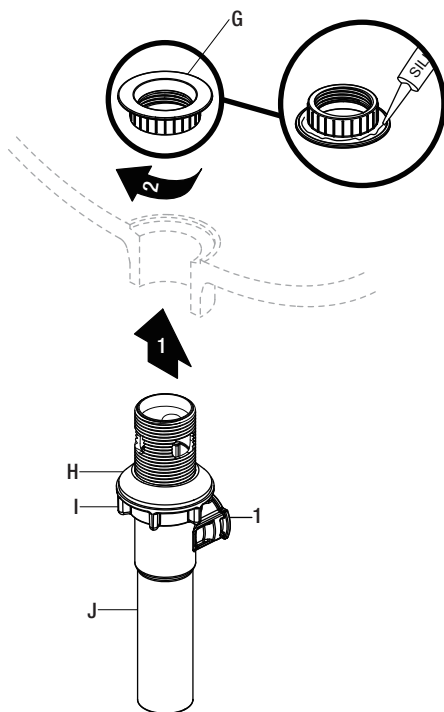
### 3 Preparing the pop-up assembly

- Remove the pop-up stopper (F) and drain flange (G) from the drain body (J).



### 4 Installing the drain body

- Apply silicone sealant (not included) under the drain flange (G) and place the drain flange (G) into the drain hole of the sink.
- From underneath the sink, screw the drain body (J) onto the drain flange (G). Ensure that the opening (1) for the ball rod on the drain body (J) faces towards the rear of the sink.
- Tighten the rubber washer (H) and lock nut (I) on the drain body (J). Hand-tighten only.



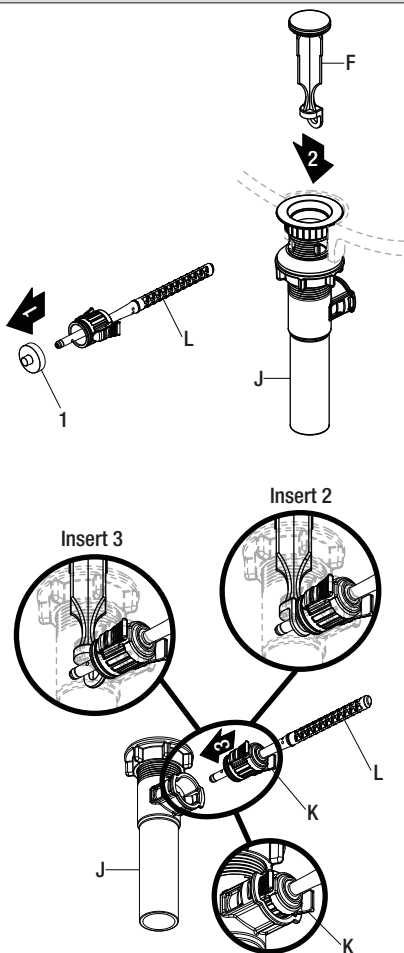
## Installation (continued)

### 5 Installing the stopper and horizontal rod

- Before installation, unscrew the protective cap (1) from the horizontal rod (L).
- Insert the stopper (F) into the drain hole in the sink.
- Insert the horizontal rod (L) into the drain body (J) and through the hole of the stopper (F) until you hear a click. See insert 2. You can press the two sides of the joint (K) to remove the horizontal rod (L).



**NOTE:** For easier removal and cleaning, rotate the stopper (F) 90 degrees so that the horizontal rod (L) does not go through the hole in the stopper (F). See insert 3.

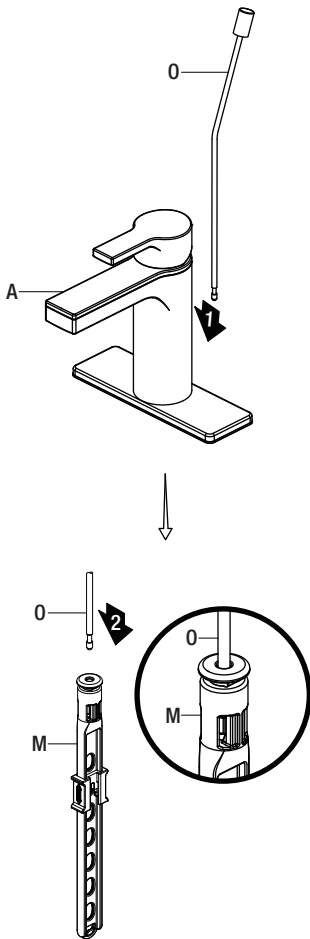


### 6 Installing the lift rod

- Slide the lift rod (O) down into the lift rod strap (M) through the faucet (A) until it clicks into the lift rod strap (M).

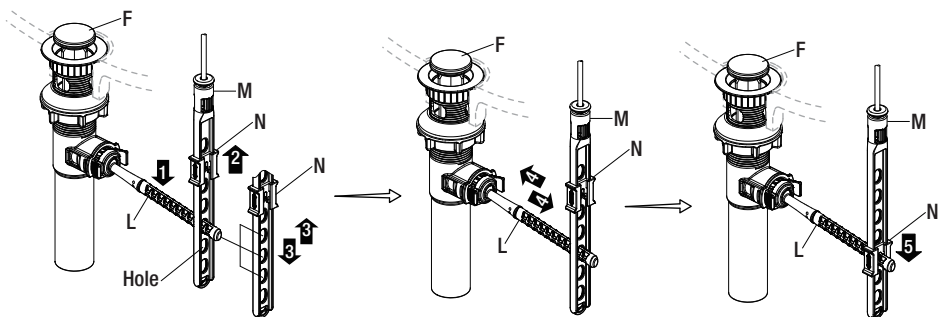


**NOTE:** If a shorter lift rod (O) is required for your installation, you may call Glacier Bay Customer Service for assistance.



## 7 Attaching the horizontal rod and strap

- Press the horizontal rod (L) down to ensure the stopper (F) is in the maximum open position.
- Slide the clip (N) upward, adjust the location of the lift rod strap (M) to the appropriate height and insert the horizontal rod (L) with the correct hole of the lift rod strap (M).
- Move the lift rod strap (M) in or out to choose an appropriate location.
- Slide the clip (N) downward until it secures with the horizontal rod (L).



## 8 Adjusting the length of lift rod strap (optional)

- If the pop up lift rod strap (M) is interfering with your installation, as shown in Fig. 1, the lift rod strap (M) can be cut shorter.
- Once you have identified the proper hole in the lift rod strap (M) that is necessary for your installation, you may cut off the bottom portion (1) of the lift rod strap (M) by snapping it off with pliers or cutting it off with a saw at the cutting point (2), as shown in Fig. 2. Ensure the clip (N) does not slide off the lift rod strap (M).

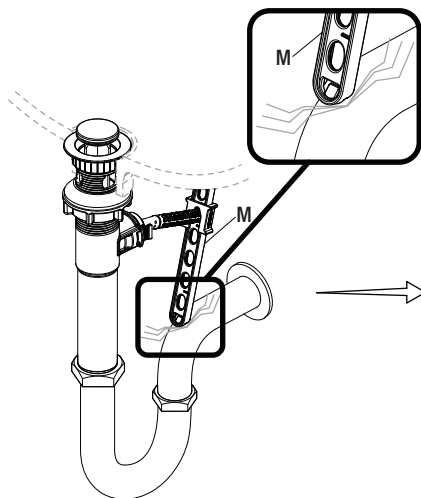


Fig. 1

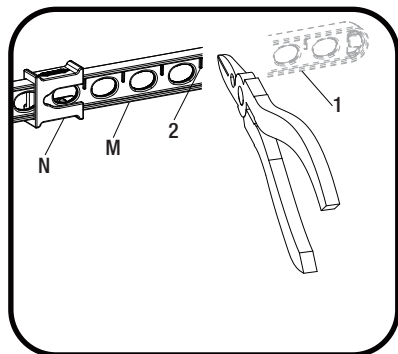
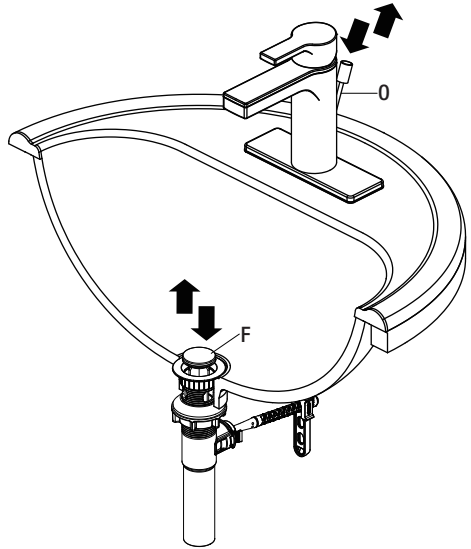


Fig. 2

### 9 Checking the operation of the pop-up

- Operate the lift rod (O) up and down to verify that the stopper (F) opens and closes correctly.



### 10 Making the water supply connections

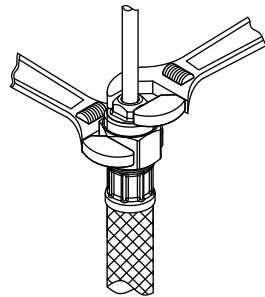
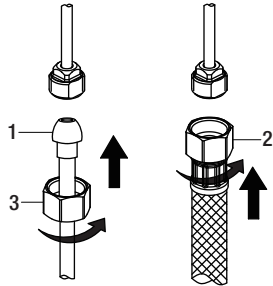


**NOTE:** The hot side inlet tube is indicated by a label. If the label is not present, the hot supply tube is the longer of the two inlet tubes.

- Use 1/2 in. I.P.S. faucet connections (2), or use supply line coupling nuts (3) (not included) with a 3/8 in. O.D. ball-nose riser (1).



**NOTE:** Before tightening the faucet connector to the water supply, apply a second wrench to the supply tube fitting. This will prevent the supply tube from moving or twisting when tightening the faucet connector. Do not overtighten.



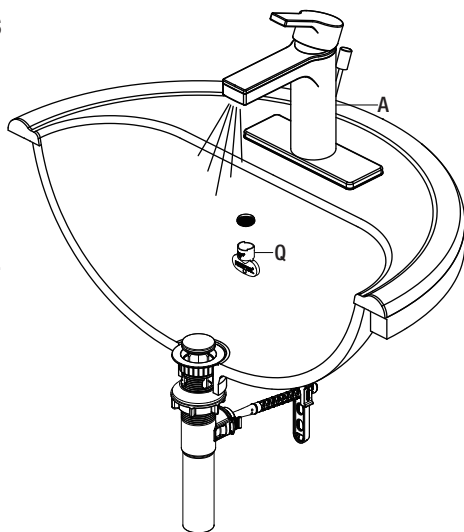
## Operation

# 1 Flushing and checking for leaks



**IMPORTANT:** After installation is complete, remove the aerator from the faucet (A) with the plastic wrench (Q) to flush the water lines.

- Ensure the faucet (A) handle is in the off position and turn on the water supply to check for leaks. If you discover any leaks, check your connections to ensure they are installed properly.
- Remove the aerator and housing (if applicable). Turn on the hot and cold water handle to allow the water to run for at least one minute. This flushes away any debris that could cause damage to internal parts.
- Turn off the water and reinstall the aerator and housing (if applicable).



## Care and Cleaning

- To clean, wipe down with a damp cloth and dry with a towel.
- Do not use abrasive cleaners, steel wool, or harsh chemicals when cleaning this faucet, or the warranty will be voided.

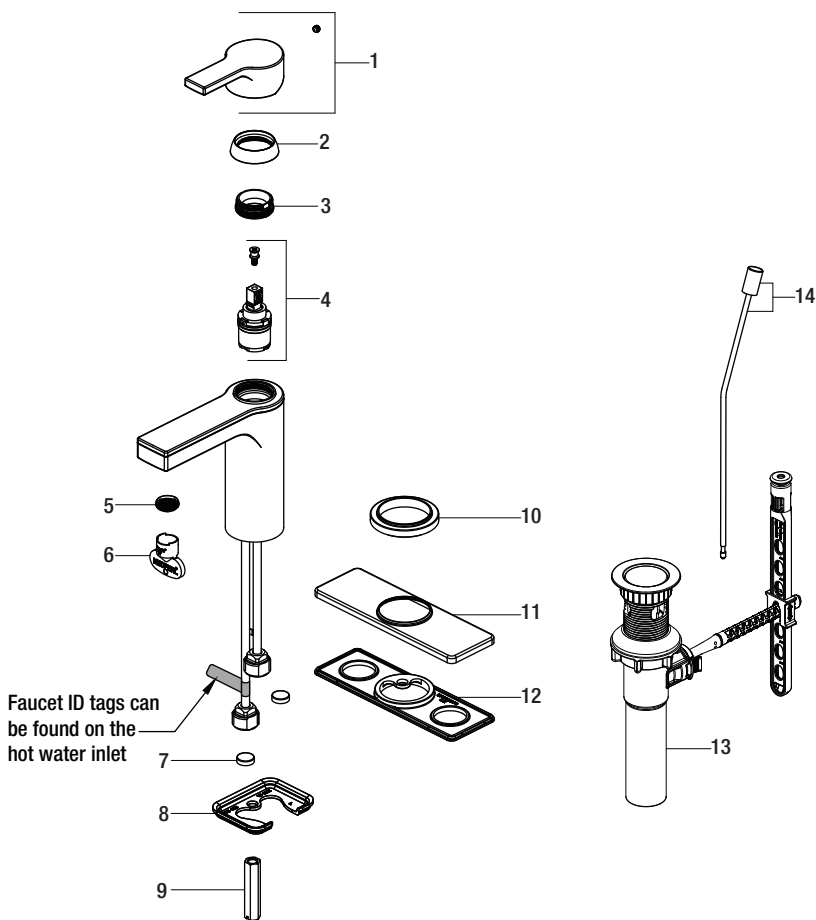
# Troubleshooting



**NOTE:** Refer to the service parts section in this manual for a detailed drawing showing the location of the parts listed below.

| <b>Problem</b>  | <b>Possible Cause</b>  | <b>Solution</b>  |
|---|--|--|
| There are leaks from the handle.                              | The bonnet nut has come loose and/or the washer is dirty or damaged. | <ul style="list-style-type: none"><li><input type="checkbox"/> Tighten the bonnet nut.</li><li><input type="checkbox"/> Clean or replace the washer.</li></ul>   |
| The aerator has an irregular or reduced water flow.           | The aerator is dirty or mis-fitted.                                  | <ul style="list-style-type: none"><li><input type="checkbox"/> Remove the aerator and check for debris.</li></ul>  |
| The water will not shut off completely.                       | The cartridge is dirty or broken.                                    | <ul style="list-style-type: none"><li><input type="checkbox"/> Remove the handle to check the cartridge.</li><li><input type="checkbox"/> Clean or replace.</li></ul>  |
| There is leaking from the sink drain at the base of the sink. | The sink has a rough or irregular surface.                           | <ul style="list-style-type: none"><li><input type="checkbox"/> Apply additional silicone sealant to the beveled side of the drain flange.</li><li><input type="checkbox"/> Retighten and test for leaks.</li></ul>   |
| There is a low flow of water.                                 | The screen filter in the copper tubes is dirty.                      | <ul style="list-style-type: none"><li><input type="checkbox"/> Turn off the water supply at angle stop and unscrew the copper tubes from water supply lines.</li><li><input type="checkbox"/> Remove the screen filter from copper tubes and check for debris.</li></ul> |

# Service Parts



Faucet ID tags can be found on the hot water inlet

| Part | Description       | Part Number |
|------|-------------------|-------------|
| 1    | Handle assembly   | RP13506*    |
| 2    | Cap               | RP80344*    |
| 3    | Bonnet nut        | RP70572     |
| 4    | Cartridge & Screw | RP20083     |
| 5    | Aerator           | RP30253     |
| 6    | Plastic wrench    | RP30254     |
| 7    | Screen washer     | RP70072     |
| 8    | Washer            | RP70228     |

| Part | Description                  | Part Number |
|------|------------------------------|-------------|
| 9    | Lock nut                     | RP56091     |
| 10   | Flange                       | RP80571*    |
| 11   | Deck plate                   | RP80572*    |
| 12   | Gasket                       | RP80573     |
| 13   | ClickInstall™ drain assembly | RP40228*    |
| 14   | Lift rod                     | RP40249*    |

\*Specify Finish

Many replacement cartridges, aerators, and drain assemblies can be purchased at your local The Home Depot store or online at [HOMEDEPOT.COM](http://HOMEDEPOT.COM)



**Questions, problems, missing parts?**

Before returning to the store, call Glacier Bay Customer Service

8 a.m. - 7 p.m., EST, Monday - Friday

9 a.m. - 6 p.m., EST, Saturday

1-855-HD-GLACIER (1-855-434-5224)

[HOMEDEPOT.COM](http://HOMEDEPOT.COM)

Retain this manual for future use.

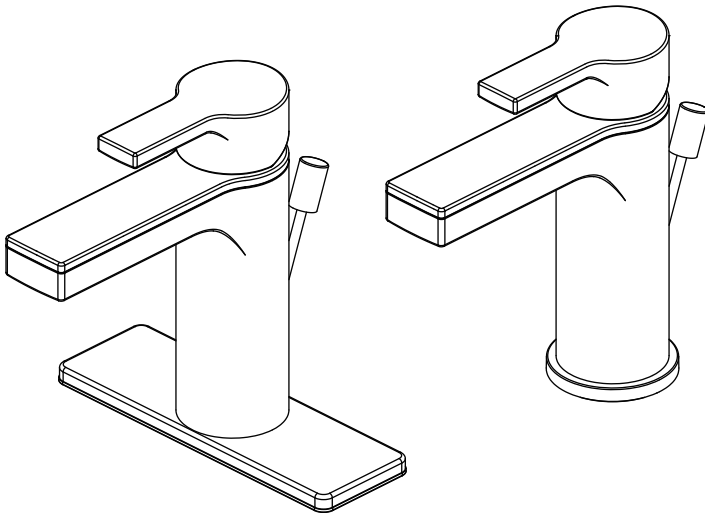




| Internet núm. | Modelo núm.     | SKU núm.   |
|---------------|-----------------|------------|
| 304778425     | HD67771W-6001   | 1003120605 |
| 304778432     | HD67771W-6004   | 1003120608 |
| 304353791     | HD67771W-6091   | 1003015458 |
| 304353694     | HD67771W-6076   | 1003015463 |
| 304353807     | HD67771W-6085   | 1003015439 |
| 304353682     | HD67771W-6010H  | 1003015470 |
| 304778439     | HD67771W-6027D  | 1003128078 |
| 304353683     | HD67771W-609002 | 1003015468 |

# GUÍA DE USO Y MANTENIMIENTO

## GRIFO PARA LAVAMANOS, DE UNA SOLA LLAVE



¿Problemas, preguntas o piezas faltantes?

Antes de regresar a la tienda, llama al servicio al cliente de Glacier Bay de lunes a viernes entre 8 a.m. y 7 p.m. y los sábados entre 9 a.m. y 6 p.m. (hora estándar del Este)

1-855-HD-GLACIER (1-855-434-5224)

[HOMEDEPOT.COM](http://HOMEDEPOT.COM)

### GRACIAS

Agradecemos la confianza que has depositado en Glacier Bay al comprar este grifo para lavamanos. Nos esforzamos por crear continuamente productos de calidad diseñados para mejorar tu hogar. Visítanos en Internet para ver nuestra línea completa de productos disponibles para las necesidades de mejoras de tu hogar. ¡Gracias por elegir a Glacier Bay!

## Tabla de contenido

|   |    |                            |    |
|---|----|----------------------------|----|
| Información importante .....            | 14 | Instalación .....          | 16 |
| Garantía.....                           | 14 | Funcionamiento .....       | 21 |
| Pre-instalación .....                   | 14 | Cuidado y limpieza .....   | 21 |
| Planificación de la instalación .....   | 14 | Solución de problemas..... | 22 |
| Herramientas y herrajes necesarios..... | 14 | Piezas de repuesto .....   | 23 |
| Contenido del paquete .....             | 15 |                            |    |

## Información importante

- Cumple con todos los códigos locales de construcción y de plomería.
- Cubre el drenaje del lavabo para evitar que se pierda alguna pieza.
- Consulta la sección de mantenimiento y limpieza incluida en esta guía.

## Garantía

### GARANTÍA DE POR VIDA LIMITADA

Los productos de Glacier Bay están fabricados con normas y mano de obra de calidad superior y están respaldados por nuestra garantía de por vida limitada. Los productos de Glacier Bay están garantizados al comprador consumidor original de estar libres de defectos en materiales o mano de obra. Reemplazaremos LIBRE DE CARGOS cualquier producto o pieza que se demuestre está defectuosa. Simplemente, devuelva el producto a cualquiera de las ubicaciones de venta al detalle de The Home Depot o llame al 1-855-HD-GLACIER (1-855-434-5224) para recibir el artículo de reemplazo. La prueba de compra (recibo de venta original) del comprador consumidor original debe estar disponible para todos los reclamos de garantía de Glacier Bay.

Esta garantía excluye daños y fallos incidentales/consecuenciales debido al mal uso, abuso o desgaste normal por el uso. Esta garantía excluye todos los usos industriales, comerciales y de negocios, a cuyos compradores por la presente, se les ha ampliado una garantía limitada de cinco años a partir de la fecha de compra, con todos los otros artículos de esta garantía que aplican excepto la duración de la garantía.

Algunos estados y provincias no permiten la exclusión o la limitación de los daños incidentales o consecuenciales, por lo tanto, las limitaciones y exclusiones anteriores podrían no aplicar a usted. Esta garantía le otorga derechos legales específicos y también puede tener otros derechos que varían de un estado a otro. Por favor, vaya a una tienda o llame al 1-855-HD-GLACIER para más detalles.

Póngase en contacto con el Equipo de Servicio al Cliente llamando al 1-855-434-5224 o visite [www.HomeDepot.com](http://www.HomeDepot.com).

## Pre-instalación

### PLANIFICACIÓN DE LA INSTALACIÓN

Antes de comenzar la instalación de este producto, asegúrate de que no falta ninguna pieza. Compara las piezas con la lista de Contenido del paquete. Si falta alguna pieza o está dañada, no intentes instalar el producto. Comunícate con el servicio al cliente para piezas de repuesto.

### HERRAMIENTAS Y HERRAJES NECESARIOS



Llave ajustable



Gafas de seguridad



Sellador de silicona



Líneas de suministro



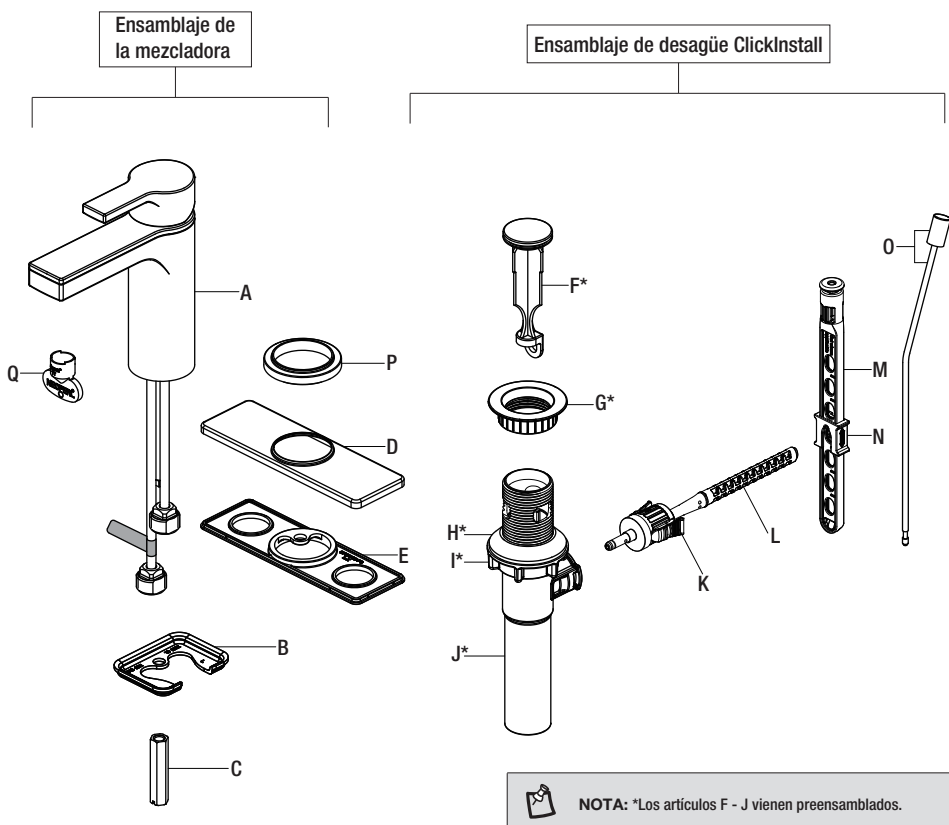
Alicate



Sierra para metales

# Pre-instalación (continuación)

## CONTENIDO DEL PAQUETE



**NOTA:** \*Los artículos F - J vienen preensamblados.

| Pieza | Descripción          | Cantidad |
|-------|----------------------|----------|
| A     | Mezcladora           | 1        |
| B     | Arandela             | 1        |
| C     | Tuerca de bloqueo    | 1        |
| D     | Placa de la cubierta | 1        |
| E     | Junta                | 1        |
| F     | Tapón emergente      | 1        |
| G     | Brida emergente      | 1        |
| H     | Arandela de hule     | 1        |
| I     | Tuerca de bloqueo    | 1        |

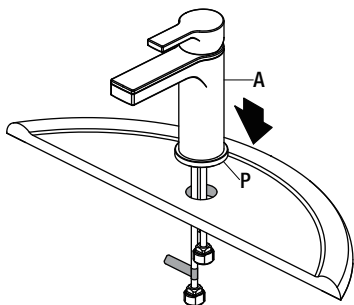
| Pieza | Descripción                       | Cantidad |
|-------|-----------------------------------|----------|
| J     | Cuerpo del drenaje                | 1        |
| K     | Junta                             | 1        |
| L     | Varilla horizontal                | 1        |
| M     | Correa de la varilla de elevación | 1        |
| N     | Sujetador                         | 1        |
| O     | Varilla de elevación              | 1        |
| P     | Brida                             | 1        |
| Q     | Llave de plástico                 | 1        |

## 1 Cómo instalar el ensamblaje del grifo

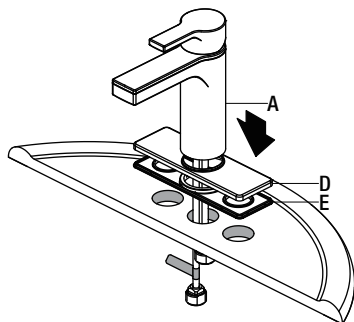


**PRECAUCIÓN:** Cierra siempre el suministro de agua antes de retirar un grifo existente o reemplazar alguna parte del mismo. Abre la llave del grifo para liberar la presión de agua y asegúrate de que el suministro de agua esté completamente cerrado.

- Cierra el suministro de agua. Retira el grifo anterior.
- Limpia la superficie de montaje.
- Retira las contratuerca (C) preensambladas y las arandela (B) del grifo (A) nuevo.
- **CON BRIDA:** Antes de la instalación, asegúrate de que la brida (P) esté en la parte inferior del grifo nuevo (A). Coloca el grifo (A) a través de los orificios de montaje del lavamanos hasta que el grifo (A) se asiente en la parte superior del lavamanos.



- **CON PLACA DE CUBIERTA:** Antes de la instalación, retira la brida (P). Alinea el orificio en la junta (E) y la placa de cubierta (D) con el orificio de montaje del lavamanos. Coloca el grifo (A) a través de la placa de cubierta (D) y el orificio del montaje del lavamanos hasta que el grifo (A) se asiente en la parte superior de la placa de cubierta (D).



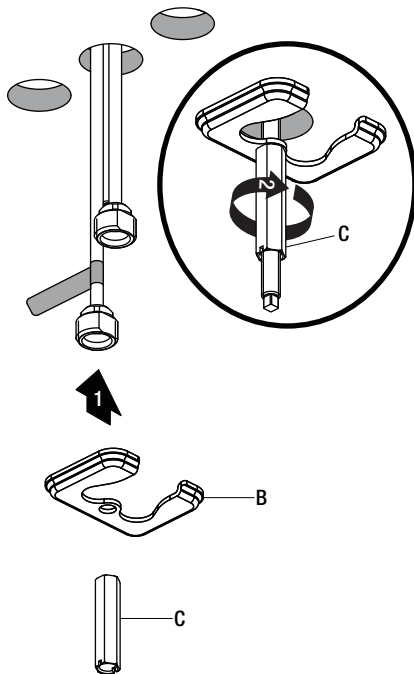
**NOTA:** Si el lavamanos es irregular, usa silicona debajo de la junta (E).

## 2 Cómo fijar el grifo

- Asegura el grifo (A) al lavamanos con la arandela (B) y la contratuerca (C) suministradas.



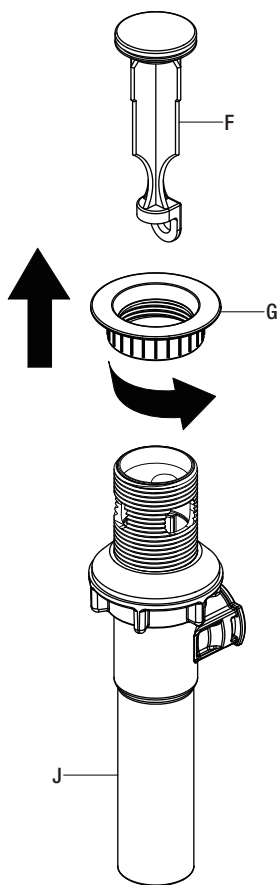
**NOTA:** Cuando insertes la varilla de elevación (O), esta (O) tiene que pasar a través del grifo (A) y hacia abajo dentro de la ranura de las arandela (B).



## Instalación (continuación)

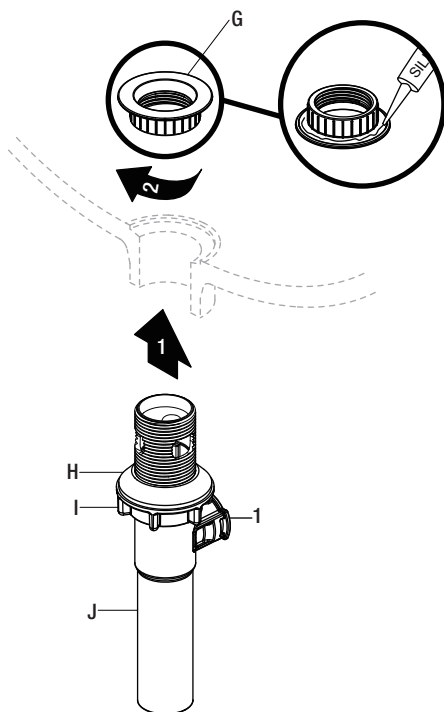
### 3 Cómo preparar el ensamblaje emergente

- Retira el tapón emergente (F) y la brida del desagüe (G) del cuerpo del desagüe (J).



### 4 Cómo instalar el cuerpo del drenaje

- Aplica sellador de silicona (no incluido) debajo de la brida del drenaje (G) y coloca ésta dentro del orificio de drenaje del lavabo.
- Desde la parte inferior del lavabo, enrosca el cuerpo del drenaje (J) en la brida del drenaje (G). Asegúrate de que la abertura (1) para la varilla de bola del cuerpo del drenaje (J) esté frente a la parte posterior del lavabo.
- Aprieta la arandela de goma (H) y la tuerca de bloqueo (I) en el cuerpo del drenaje (J). Ajusta sólo con la mano.



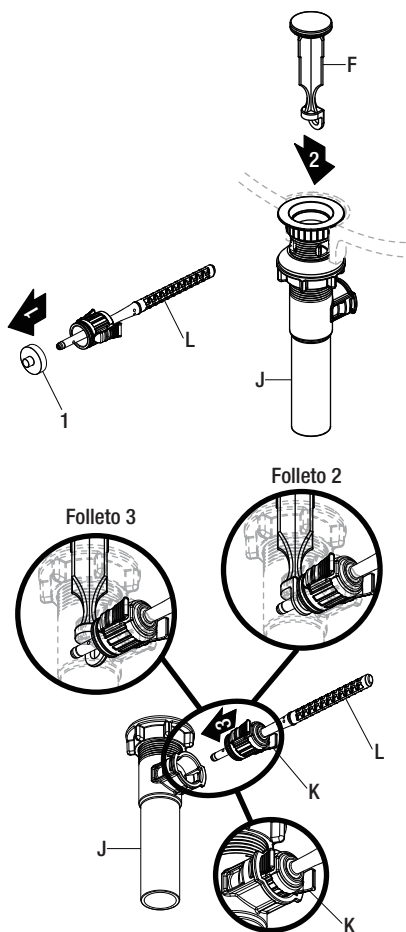
## Instalación (continuación)

### 5 Cómo instalar el tapón y la varilla horizontal

- Antes de la instalación, desenrosca la tapa protectora (1) de la varilla horizontal (L).
- Inserta el tapón (F) en el orificio del drenaje del lavabo.
- Inserta la varilla horizontal (L) en el cuerpo del desagüe (J) y a través del orificio del tapón (F) hasta que escuches un clic. Consulta el folleto 2. Puedes presionar ambos lados de la junta (K) para retirar la varilla horizontal (L).



**NOTA:** Para retirar y limpiar más fácilmente, gira el tapón (F) a 90° de manera que la varilla horizontal (L) no atraviese el orificio del tapón (F). Consulta el folleto 3.

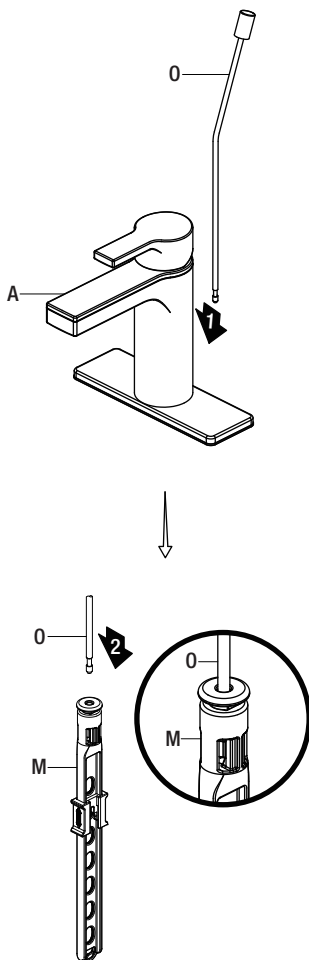


### 6 Cómo instalar la varilla de elevación

- Desliza la varilla de elevación (O) hacia abajo en la correa de la varilla (M) y a través del grifo (A) hasta que haga clic dentro de la correa (M).

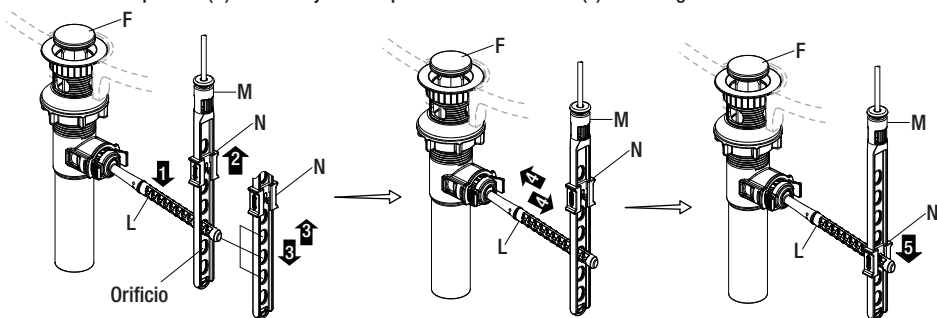


**NOTA:** Si necesitas una varilla de elevación (O) más corta para tu instalación, puedes llamar al Servicio al Cliente de Glacier Bay para recibir ayuda.



### 7 Cómo instalar la varilla horizontal y la correa

- Presiona hacia abajo la varilla horizontal (L) para garantizar que el tapón (F) esté abierto completamente.
- Desliza la presilla (N) hacia arriba, ajusta la ubicación de la correa de la varilla de elevación (M) a la altura adecuada e inserta la varilla horizontal (L) con el orificio correcto de la varilla de elevación (M).
- Mueve la correa de la varilla de elevación (M) hacia adentro o hacia afuera para seleccionar la ubicación adecuada.
- Desliza la presilla (N) hacia abajo hasta que la varilla horizontal (L) esté asegurada.



### 8 Cómo ajustar el largo de la correa de la varilla de elevación (opcional)

- Si la presilla de la varilla de elevación (M) interfiere con tu instalación, como se muestra en la Fig. 1, la presilla de la varilla de elevación (M) puede recortarse.
- Una vez que hayas identificado el orificio adecuado en la presilla de la varilla de elevación (M) que es necesario para tu instalación, puedes recortar la porción inferior (1) de la presilla de la varilla de elevación (M) partiendo con alicates o cortando con una sierra en el punto de corte (2), como se muestra en la Fig. 2. Asegúrate de que la presilla (N) no se salga de la correa de la varilla de elevación (M).

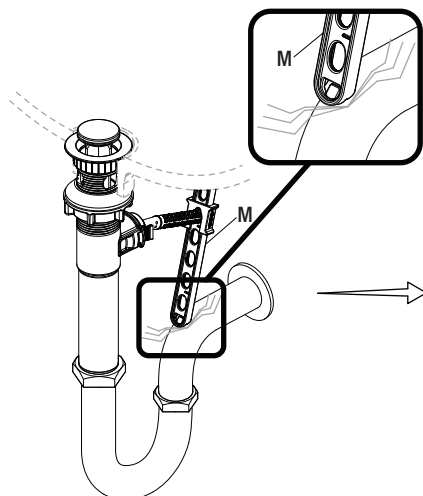


Fig. 1

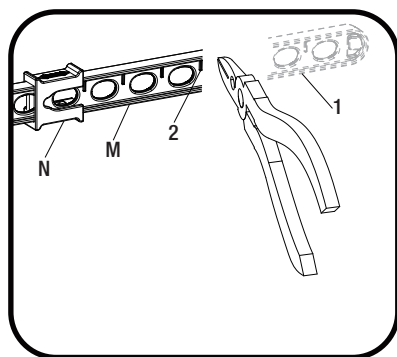
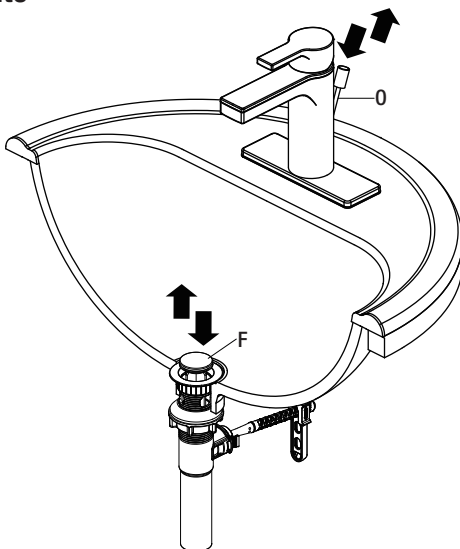


Fig. 2

## Instalación (continuación)

### 9 Cómo verificar el funcionamiento del tapón emergente

- Mueva la varilla de elevación (O) hacia arriba y abajo para verificar que el tapón (F) se abre y cierra correctamente.



### 10 Cómo hacer las conexiones del suministro de agua

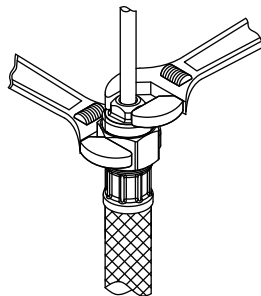
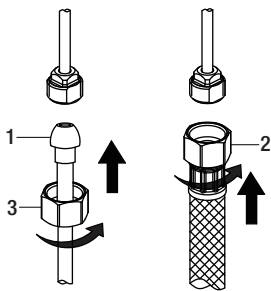


**NOTA:** El tubo de entrada del agua caliente se identifica con una etiqueta. Si no encuentras la etiqueta, el tubo de suministro del agua caliente es el más largo de los dos tubos de entrada.

- Usa conexiones de grifos de 1/2" IPS (2) o tuercas de acoplamiento de líneas de suministro (3) (no incluidas) con un tubo montante de bola de diámetro exterior de 3/8" (1).



**NOTA:** Antes de apretar el conector del grifo al suministro de agua, fija el accesorio de la tubería de suministro colocando una segunda llave. Esto evitará que la tubería de suministro se mueva o gire cuando aprietes el conector del grifo. No aprietes demasiado.



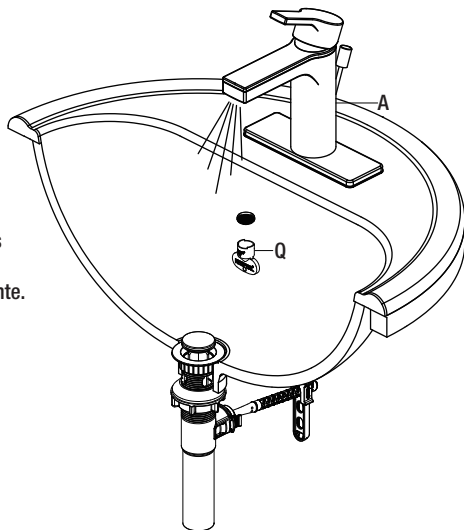


### 1 Cómo purgar las tuberías y comprobar que no haya fugas



**IMPORTANTE:** Después de terminar la instalación, retira el aireador del grifo (A) con la llave plástica (Q) para descargar las líneas de agua.

- Asegúrate de que las llaves del grifo (A) estén cerradas y abre el suministro del agua para comprobar que no haya filtraciones. Si descubres alguna filtración, verifica tus conexiones para asegurarte de que estén instaladas adecuadamente.
- Retira el aireador y la carcasa (si corresponde). Abre los manerales del suministro de agua fría y caliente y deja que corran durante al menos un minuto cada una. Esto elimina cualquier desecho que pudiera dañar las piezas internas.
- Cierra el suministro de agua y vuelve a colocar el aireador y la carcasa (si corresponde).



## Cuidado y limpieza

- Para limpiar, usa un paño húmedo y seca con una toalla.
- No uses limpiadores abrasivos, esponjas de alambre o productos químicos fuertes para limpiar esta mezcladora, pues ello anulará la garantía.

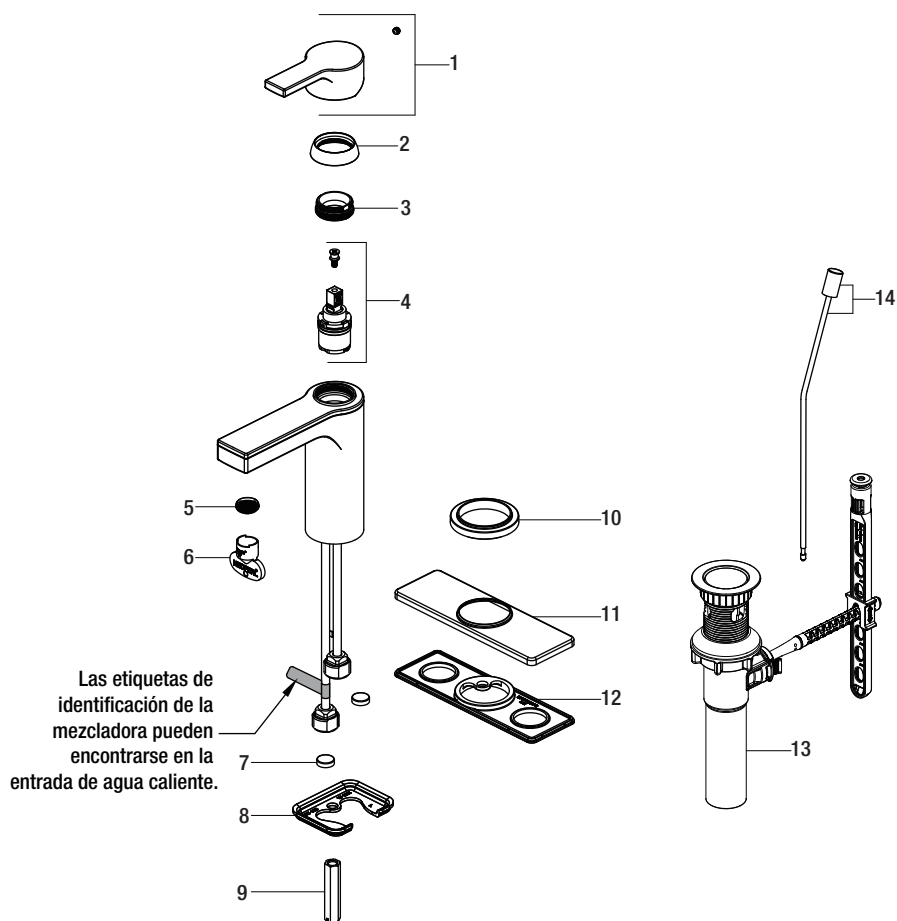
# Solución de problemas



**NOTA:** Consulta la sección de piezas de repuesto de este manual para ver un dibujo detallado que muestra la ubicación de las piezas enumeradas a continuación.

| Problema   | Posible causa  | Solución   |
|--|--|--|
| Hay filtración por el maneral.                                       | La tuerca del bonete se ha aflojado y/o la arandela está sucia o dañada. | <ul style="list-style-type: none"><li><input type="checkbox"/> Aprieta la tuerca del bonete.</li><li><input type="checkbox"/> Limpia la arandela o reemplázala.</li></ul>  |
| El aireador tiene un flujo de agua irregular o reducido.             | El aireador está sucio o mal instalado.                                  | <ul style="list-style-type: none"><li><input type="checkbox"/> Retira el aireador y verifica si hay suciedades.</li></ul>  |
| El suministro de agua no se corta completamente.                     | El cartucho está sucio o dañado.   | <ul style="list-style-type: none"><li><input type="checkbox"/> Retira la llave para revisar el cartucho.</li><li><input type="checkbox"/> Limpia o reemplaza.</li></ul>  |
| Hay una filtración proveniente del desagüe del lavamanos en su base. | El lavamanos tiene una superficie rugosa o irregular.                    | <ul style="list-style-type: none"><li><input type="checkbox"/> Aplica más sellador de silicona al lado biselado de la brida del drenaje.</li><li><input type="checkbox"/> Aprieta nuevamente y verifica que no haya filtraciones.</li></ul>  |
| El flujo de agua es bajo.  | El filtro de malla en los tubos de cobre está sucio.                     | <ul style="list-style-type: none"><li><input type="checkbox"/> Cierra el suministro de agua en la llave angular de paso y desenrosca los tubos de cobre de las líneas de suministro.</li><li><input type="checkbox"/> Quita el filtro de malla de los tubos de cobre y verifica si hay residuos.</li></ul> |

# Piezas de repuesto



| Pieza | Descripción            | Número de pieza |
|-------|------------------------|-----------------|
| 1     | Ensamblaje de la llave | RP13506*        |
| 2     | Tapa                   | RP80344*        |
| 3     | Tuerca del bonete      | RP70572         |
| 4     | Cartucho y Tornillo    | RP20083         |
| 5     | Aireador               | RP30253         |
| 6     | Llave de plástico      | RP30254         |
| 7     | Filtro de pantalla     | RP70072         |
| 8     | Arandela               | RP70228         |

| Pieza | Descripción                         | Número de pieza |
|-------|-------------------------------------|-----------------|
| 9     | Tuerca de bloqueo                   | RP56091         |
| 10    | Brida                               | RP80571*        |
| 11    | Placa de la cubierta                | RP80572*        |
| 12    | Junta                               | RP80573         |
| 13    | Ensamblaje de desagüe ClickInstall™ | RP40228*        |
| 14    | Varilla de elevación                | RP40249*        |

\*Especificar acabado

Muchos cartuchos de repuesto, aireadores y ensamblajes de drenaje pueden comprarse en tu tienda de The Home Depot local o por internet en [WWW.HOMEDEPOT.COM](http://WWW.HOMEDEPOT.COM)



¿Problemas, preguntas o piezas faltantes?

Antes de regresar a la tienda, llama al servicio al cliente de Glacier Bay de lunes a viernes entre 8 a.m. y 7 p.m. y los sábados entre 9 a.m. y 6 p.m. (hora estándar del Este)

1-855-HD-GLACIER (1-855-434-5224)

[HOMEDEPOT.COM](http://HOMEDEPOT.COM)

Conserva este manual para uso futuro.

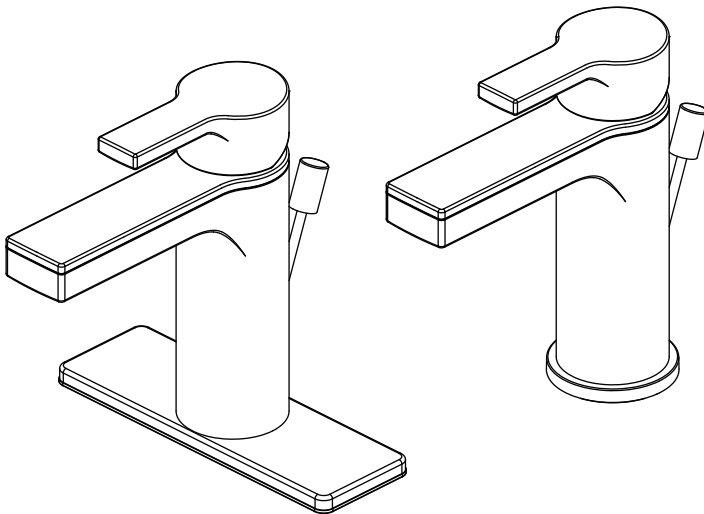


| Internet n° | Modèle n°       | UGS n°     |
|-------------|-----------------|------------|
| 304778425   | HD67771W-6001   | 1003120605 |
| 304778432   | HD67771W-6004   | 1003120608 |
| 304353791   | HD67771W-6091   | 1003015458 |
| 304353694   | HD67771W-6076   | 1003015463 |
| 304353807   | HD67771W-6085   | 1003015439 |
| 304353682   | HD67771W-6010H  | 1003015470 |
| 304778439   | HD67771W-6027D  | 1003128078 |
| 304353683   | HD67771W-609002 | 1003015468 |

# GUIDE D'INSTALLATION ET D'ENTRETIEN

---

## ROBINET DE LAVABO À UNE SEULE MANETTE



Questions, problèmes, pièces manquantes?

Avant de retourner au magasin, appelez le service à la clientèle  
Glacier Bay entre 8 h et 19 h, HNE, du lundi au vendredi au  
entre 9 h et 18 h, HNE, le samedi au

1-855-HD-GLACIER (1-855-434-5224)

[HOMEDEPOT.COM](http://HOMEDEPOT.COM)

---

### THANK YOU

Nous vous remercions d'avoir fait confiance à Glacier Bay en achetant ce robinet de salle de bains. Nous efforçons en permanence de créer des produits de qualité conçus pour perfectionner votre maison. Vous pouvez visiter notre site en ligne pour consulter notre gamme complète de produits pour vos besoins de rénovation résidentielle.

Merci d'avoir choisi Glacier Bay!

## Table des matières

|                                       |    |                              |    |
|---------------------------------------|----|------------------------------|----|
| Information importante .....          | 26 | Installation .....           | 28 |
| Garantie .....                        | 26 | Utilisation .....            | 33 |
| Pré-installation .....                | 26 | Entretien et nettoyage ..... | 33 |
| Planification de l'installation ..... | 26 | Dépannage .....              | 34 |
| Outils et quincaillerie requis .....  | 26 | Pièces de rechange .....     | 35 |
| Contenu de l'emballage .....          | 27 |                              |    |

## Information importante

- Respectez tous les codes de plomberie et du bâtiment locaux.
- Couvrez l'évacuation de l'évier pour éviter de perdre des pièces.
- Consultez la section entretien et nettoyage comprise dans ce guide.

## Garantie

### GARANTIE À VIE LIMITÉE

Les produits Glacier Bay sont fabriqués dans le respect de normes de qualité supérieure et sont protégés par notre garantie à vie limitée. Les produits Glacier Bay sont garantis contre les défauts de fabrication et de matériaux, pourvu que l'acheteur original soit le propriétaire. Nous remplacerons GRATUITEMENT toute pièce ou tout produit s'avérant être défectueux. Il suffit de retourner le produit, en totalité ou en partie, à n'importe quel magasin Home Depot ou d'appeler au 1-855-HD-GLACIER (1-855-434-5224) afin de recevoir un article de rechange. Une réclamation au titre de la garantie de Glacier Bay faite par l'acheteur original doit être accompagnée d'une preuve d'achat (reçu de vente d'origine).

Cette garantie exclut les dommages accessoires et indirects causés par une utilisation inadéquate ou abusive, ou par l'usure normale. Cette garantie exclut tout usage industriel, commercial ou professionnel. Pour un tel usage, les acheteurs reçoivent par la présente une garantie limitée de cinq ans à partir de la date d'achat. Toutes les autres modalités de la présente garantie sont applicables, à l'exception de la durée.

Certaines provinces ou certains territoires ne permettent pas l'exclusion ou la restriction des dommages accessoires ou indirects. Par conséquent, les restrictions ou les exclusions susmentionnées pourraient ne pas s'appliquer à votre situation. Cette garantie vous accorde des droits spécifiques, mais vous pourriez aussi en avoir d'autres, lesquels varient en fonction des provinces et territoires. Pour obtenir davantage de renseignements, renseignez-vous en magasin ou composez le 1-855-HD-GLACIER.

Communiquez avec l'équipe du service à la clientèle au 1-855-434-5224 ou visitez le site [www.HomeDepot.com](http://www.HomeDepot.com).

## Pré-installation

### PLANIFICATION DE L'INSTALLATION

Avant de commencer l'assemblage de ce produit, assurez-vous que toutes les pièces sont présentes. Comparez les pièces avec la section Contenu de l'emballage. Si une pièce est manquante ou endommagée, ne tentez pas d'assembler ce produit. Communiquez avec le service à la clientèle pour obtenir des pièces de rechange.

### OUTILS ET QUINCAILLERIE REQUIS



Clé à molette



Lunettes de protection



Mastic à la silicone



Conduites d'alimentation



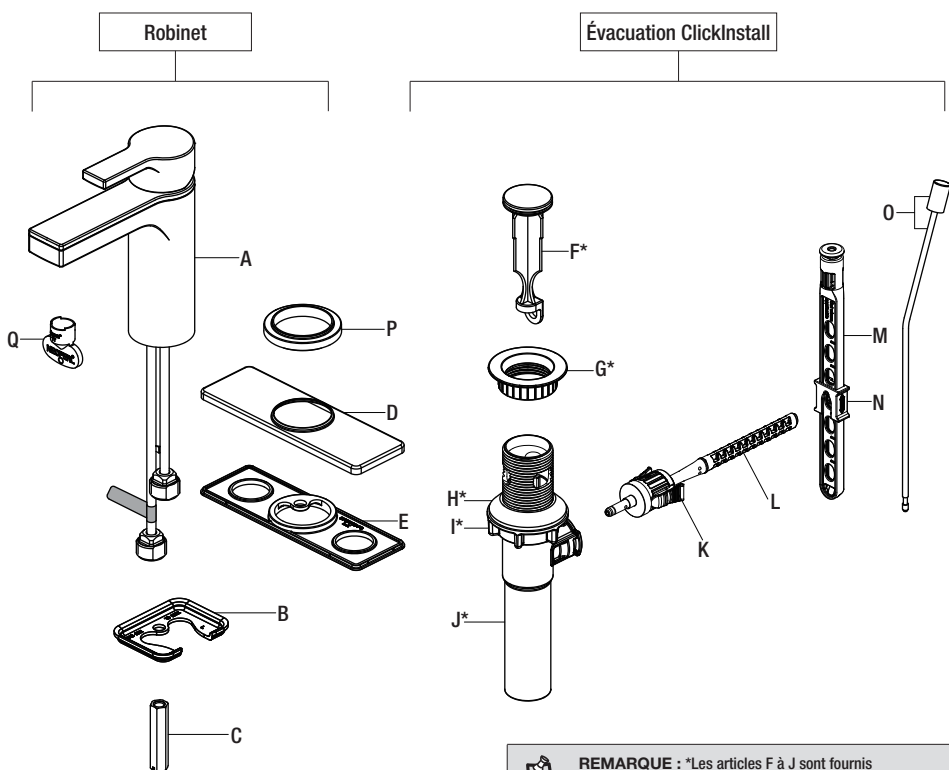
Pincettes



Scie à métaux

# Pré-installation (suite)

## CONTENU DE L'EMBALLAGE



 **REMARQUE :** \*Les articles F à J sont fournis pré-assemblés.

| Pièce | Description                  | Quantité |
|-------|------------------------------|----------|
| A     | Robinet                      | 1        |
| B     | Rondelle                     | 1        |
| C     | Contre-écrou                 | 1        |
| D     | Plaque décorative            | 1        |
| E     | Joint d'étanchéité           | 1        |
| F     | Bonde d'évacuation mécanique | 1        |
| G     | Bride d'évacuation mécanique | 1        |
| H     | Rondelle en caoutchouc       | 1        |

| Pièce | Description              | Quantité |
|-------|--------------------------|----------|
| I     | Contre-écrou             | 1        |
| J     | Corps d'évacuation       | 1        |
| K     | Joint                    | 1        |
| L     | Tige horizontale         | 1        |
| M     | Sangle de tige de levage | 1        |
| N     | Attache                  | 1        |
| O     | Tige de levage           | 1        |
| P     | Bride                    | 1        |
| Q     | Clé en plastique         | 1        |

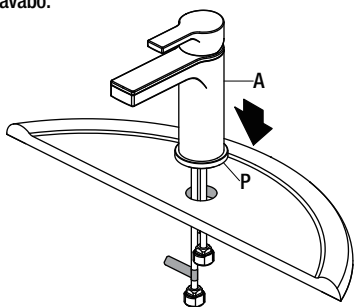
# Installation

## 1 Installation de l'ensemble de robinetterie

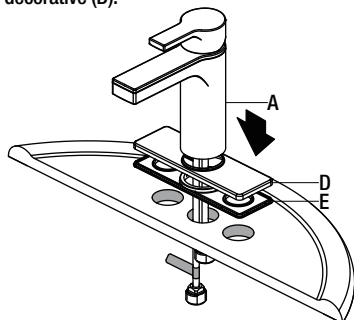


**ATTENTION :** Fermez toujours l'alimentation en eau avant de retirer un robinet existant ou d'en remplacer une pièce quelconque. Ouvrez la poignée du robinet pour libérer la pression de l'eau et vous assurer que l'alimentation en eau est complètement coupée.

- Fermez l'alimentation en eau. Enlevez l'ancien robinet.
- Nettoyez la surface de montage.
- Retirez les contre-écrou (C) et rondelle (B) pré-assemblés du nouveau robinet (A).
- **AVEC BRIDE :** Avant l'installation, assurez-vous que la bride (P) se trouve en bas du nouveau robinet (A). Insérez le robinet (A) dans les trous de montage du lavabo jusqu'à ce que le robinet (A) repose sur le lavabo.



- **AVEC PLAQUE DÉCORATIVE :** Avant l'installation, retirez la bride (P). Alignez le trou du joint (E) et de la plaque décorative (D) avec le trou de montage du lavabo. Insérez le robinet (A) à travers la plaque décorative (D) et le trou de montage du lavabo jusqu'à ce que le robinet (A) repose sur la plaque décorative (D).



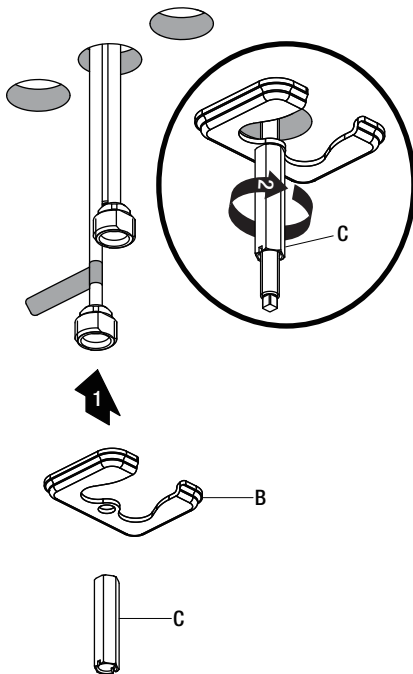
**REMARQUE :** Si le lavabo n'est pas de niveau, utilisez de la silicone sous le joint (E).

## 2 Fixer solidement le robinet

- Fixez solidement le robinet (A) sur le lavabo à l'aide de la rondelle (B) et du contre-écrou (C) fournis.



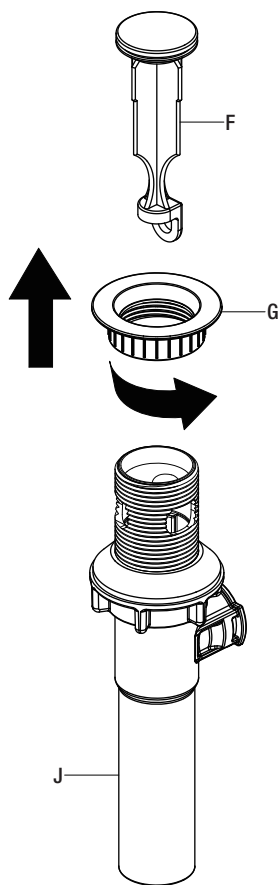
**REMARQUE :** Lorsque vous insérez la tige de levage (O), elle peut passer à travers le robinet (A) puis vers le bas, dans la rainure des rondelle (B).





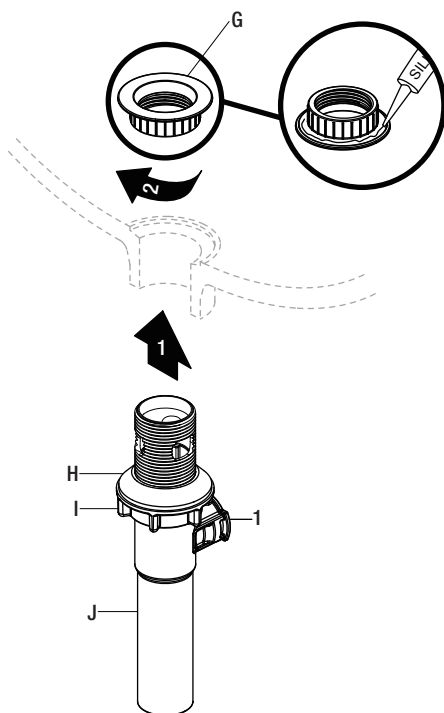
### 3 Préparation de l'évacuation mécanique

- Retirez la bonde de l'évacuation mécanique (F) et la bride d'évacuation (G) du corps d'évacuation (J).



### 4 Installation du corps d'évacuation

- Appliquez du mastic à la silicone (non compris) sous la bride d'évacuation (G) et placez la bride d'évacuation (G) dans le trou d'évacuation de l'évier.
- À partir du dessous de l'évier, vissez le corps d'évacuation (J) sur la bride d'évacuation (G). Assurez-vous que l'ouverture (1) de la tige à rotule du corps d'évacuation (J) fait face à l'arrière de l'évier.
- Serrez la rondelle en caoutchouc (H) et le contre-écrou (I) sur le corps d'évacuation (J). Serrez à la main uniquement.

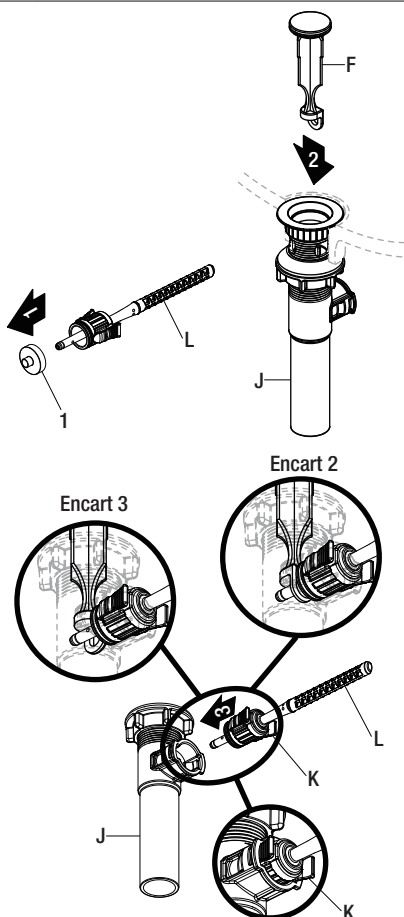


## 5 Installation de la bonde et de la tige horizontale

- Avant l'installation, dévissez le capuchon de protection (1) de la tige horizontale (L).
- Enfoncez la bonde (F) dans le trou d'évacuation de l'évier.
- Insérez la tige horizontale (L) dans le corps d'évacuation (J) et dans le trou de la bonde (F) jusqu'à ce que vous entendiez un déclic. Reportez-vous aux encarts 2. Vous pouvez appuyer sur les deux côtés du joint (K) pour retirer la tige horizontale (L).



**REMARQUE :** Pour faciliter le retrait et le nettoyage, tournez la bonde (F) à 90 degrés de façon à ce que la tige horizontale (L) ne traverse pas le trou de la bonde (F). Reportez-vous aux encarts 3.

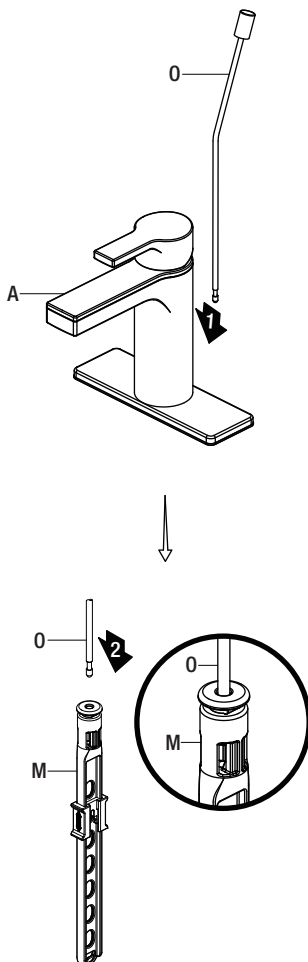


## 6 Installation de la tige de levage

- Faites glisser la tige de levage (O) vers le bas dans la courroie de la tige de levage (M) à travers le robinet (A), jusqu'à ce qu'elle s'enclenche dans la courroie de la tige de levage (M).

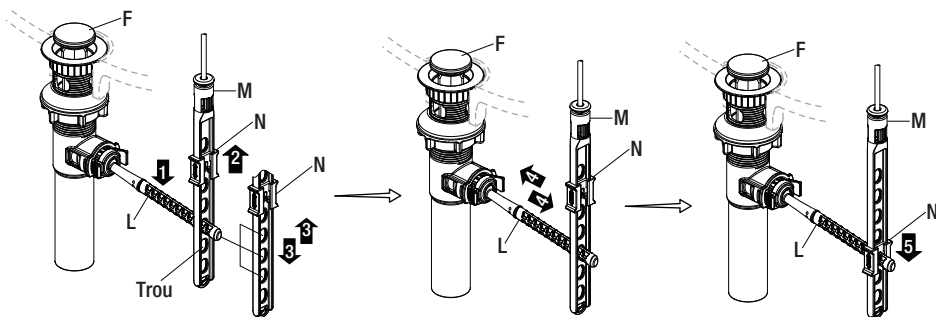


**REMARQUE :** Si une tige de levage (O) plus courte est requise pour votre installation, vous pouvez contacter le service à la clientèle de Glacier Bay pour une assistance.



## 7 Fixation de la tige horizontale et la courroie

- Poussez la tige horizontale (L) vers le bas pour assurer que la bonde (F) est dans la position ouverte maximale.
- Faites glisser la pince (N) vers le haut, réglez l'emplacement de la courroie de la tige de levage (M) à la hauteur appropriée, puis insérez la tige horizontale (L) dans le trou correct de la sangle de la tige de levage (M).
- Faites sortir ou rentrer la courroie de la tige de levage (M) pour choisir un emplacement approprié.
- Faites glisser la pince (N) vers le bas jusqu'à ce qu'elle soit fixée fermement avec la tige horizontale (L).



## 8 Régler la longueur de la sangle de la tige de levage (facultatif)

- Si la sangle de la tige de levage de l'évacuation mécanique (M) gêne votre installation, comme illustré sur la Fig. 1, la sangle de la tige de levage (M) peut être raccourcie.
- Une fois que vous avez identifié le bon trou de la sangle de la tige de levage (M) nécessaire pour votre installation, vous pouvez couper la portion inférieure (1) de la sangle de la tige de levage (M) en la cassant avec des pinces ou en la coupant avec une scie au point de coupe (2), comme illustré sur la Fig. 2. Veillez à ce que la pince (N) ne glisse pas de la sangle de la tige de levage (M).

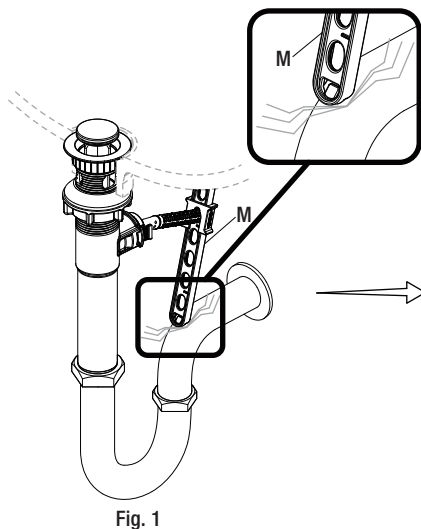


Fig. 1

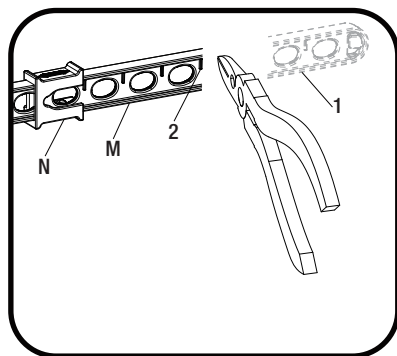
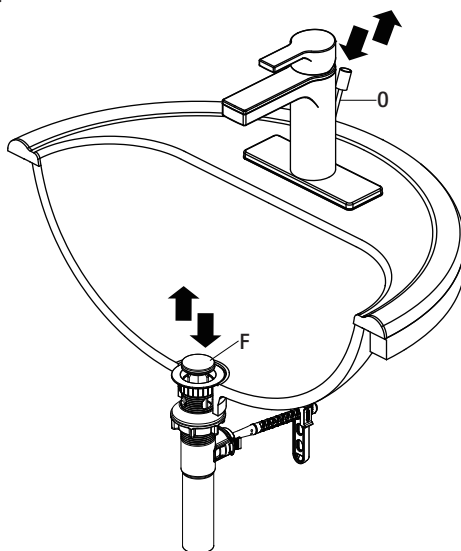


Fig. 2

### 9 Vérification du fonctionnement de l'évacuation mécanique

- Déplacez la tige de levage (0) de haut en bas pour vérifier que la bonde (F) s'ouvre et se ferme correctement.



### 10 Raccordement des conduites d'alimentation en eau

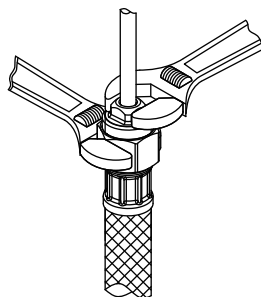
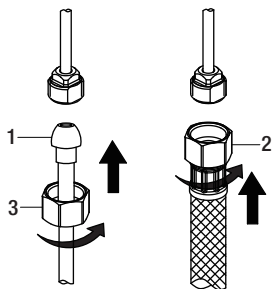


**REMARQUE :** Le tuyau d'arrivée de l'eau chaude est indiqué par une étiquette. S'il n'y a pas d'étiquette, le tuyau d'arrivée de l'eau chaude est le plus long des deux tuyaux d'arrivée.

- Utilisez des raccords de robinet IPS de 1,27 cm (½ po) (2), ou utilisez des écrous d'accouplement pour conduite d'alimentation (3) (non compris) avec une colonne montante à bout sphérique de D.E. 9,53 mm (3/8 po) (1).



**REMARQUE :** Avant de serrer le raccord du robinet à l'alimentation en eau, installez une seconde clé sur le raccord du tuyau d'alimentation. Ainsi, le tuyau d'alimentation ne pourra pas bouger ni se tordre lorsque vous serrerez le raccord du robinet. Ne serrez pas trop.

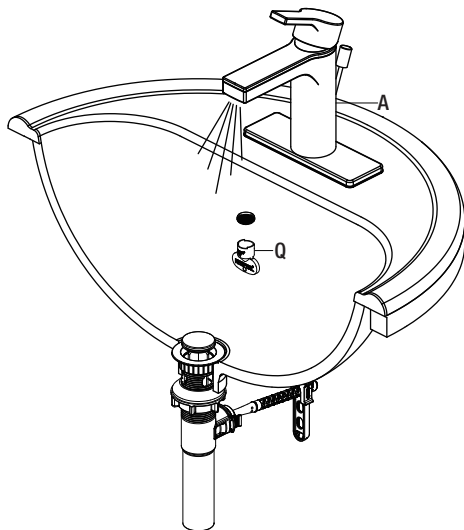


# 1 Purge et recherche de fuites



**IMPORTANT** : Une fois l'installation terminée, retirez l'aérateur du robinet (A) à l'aide de la clé en plastique (Q) pour rincer les conduites d'alimentation en eau.

- Assurez-vous que les manette du robinet (A) sont en position arrêt, puis ouvrez l'alimentation en eau pour rechercher les fuites. Si vous découvrez des fuites, vérifiez vos raccords pour vous assurer qu'ils sont installés correctement.
- Ouvrez l'aérateur et le boîtier (si applicable). Ouvrez la manette d'eau chaude et froide pour permettre à l'eau de couler pendant au moins une minute. Cela chasse les débris éventuels qui pourraient endommager les pièces internes.
- Coupez l'alimentation en eau et remplacez l'aérateur et le boîtier (si applicable).



## Entretien et nettoyage

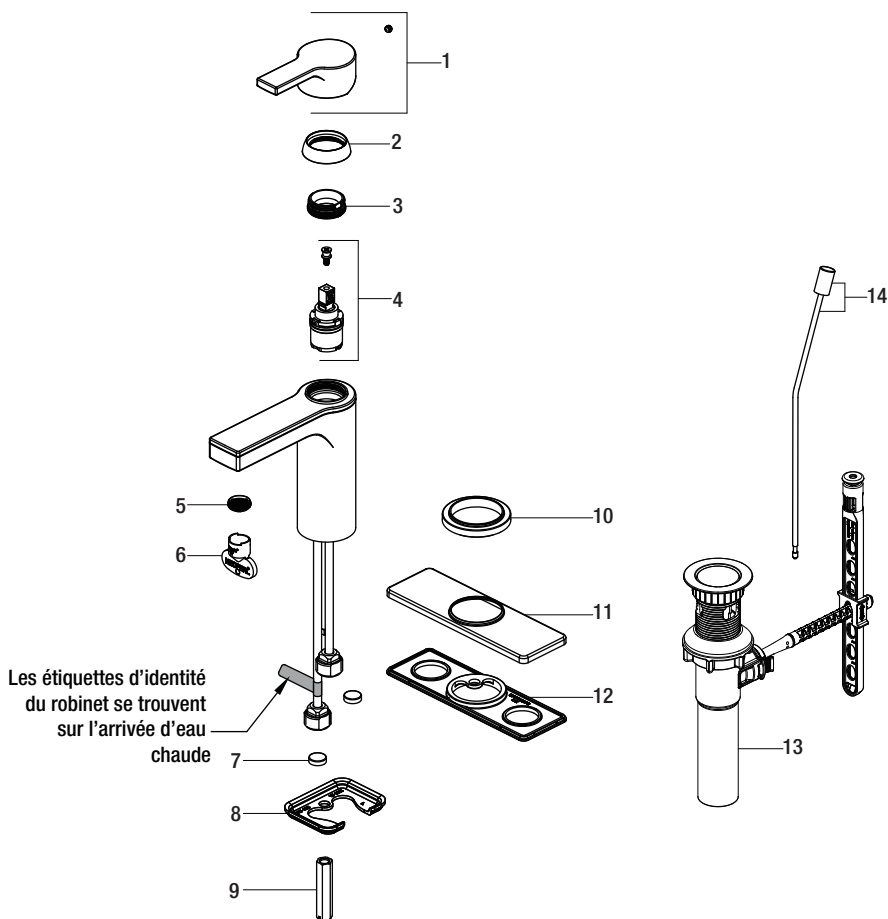
- Pour nettoyer, essuyez avec un linge humide et séchez avec une serviette.
- N'utilisez pas de nettoyants abrasifs, de la laine d'acier ou de produits chimiques abrasifs pour nettoyer ce robinet, sinon la garantie sera annulée.



**REMARQUE :** Consultez la section pièces de rechange de ce guide pour une illustration détaillée de l'emplacement des pièces énumérées ci-dessous.

| Problème  | Cause possible  | Solution  |
|---|---|---|
| La manette fuit.  | L'écrou de chapeau s'est desserré et/ou la rondelle est sale ou endommagée. | <ul style="list-style-type: none"><li><input type="checkbox"/> Serrez l'écrou de chapeau.</li><li><input type="checkbox"/> Nettoyez ou remplacez la rondelle.</li></ul>   |
| L'aérateur produit un débit d'eau irrégulier ou réduit.                   | L'aérateur est sale ou mal adapté.  | <ul style="list-style-type: none"><li><input type="checkbox"/> Retirez l'aérateur et vérifiez s'il y a des débris.</li></ul>  |
| L'eau ne se ferme pas complètement.                                       | La cartouche est sale ou endommagée.  | <ul style="list-style-type: none"><li><input type="checkbox"/> Retirez la manette pour vérifier la cartouche.</li><li><input type="checkbox"/> Nettoyez ou remplacez.</li></ul>   |
| Il y a une fuite au niveau de l'évacuation du lavabo à la base du lavabo. | Le lavabo a une surface rugueuse ou irrégulière.                            | <ul style="list-style-type: none"><li><input type="checkbox"/> Ajoutez du mastic de silicone au côté biseauté de la bride d'évacuation.</li><li><input type="checkbox"/> Resserrez et vérifiez s'il y a des fuites.</li></ul>   |
| Le débit d'eau est faible.  | Le filtre à tamis des tuyaux en cuivre est sale.                            | <ul style="list-style-type: none"><li><input type="checkbox"/> Fermez l'alimentation en eau au robinet angulaire et dévissez les tuyaux en cuivre des conduites d'alimentation en eau.</li><li><input type="checkbox"/> Retirez le filtre à tamis des tuyaux en cuivre et vérifiez s'il y a des débris.</li></ul> |

# Pièces de rechange



Les étiquettes d'identité  
du robinet se trouvent  
sur l'arrivée d'eau  
chaude

| Pièce | Description      | Numéro de pièce |
|-------|------------------|-----------------|
| 1     | Manette          | RP13506*        |
| 2     | Capuchon         | RP80344*        |
| 3     | Écrou de chapeau | RP70572         |
| 4     | Cartouche et Vis | RP20083         |
| 5     | Aérateur         | RP30253         |
| 6     | Clé en plastique | RP30254         |
| 7     | Filtre à tamis   | RP70072         |
| 8     | Rondelle         | RP70228         |

| Pièce | Description                         | Numéro de pièce |
|-------|-------------------------------------|-----------------|
| 9     | Contre-écrou                        | RP56091         |
| 10    | Bride                               | RP80571*        |
| 11    | Plaque décorative                   | RP80572*        |
| 12    | Joint d'étanchéité                  | RP80573         |
| 13    | Ensemble d'évacuation ClickInstall™ | RP40228*        |
| 14    | Tige de levage                      | RP40249*        |

\*Spécifiez un fini

De nombreuses cartouches, aérateurs et évacuations de rechange sont proposés à votre magasin Home Depot le plus proche ou en ligne, sur [WWW.HOMEDEPOT.COM](http://WWW.HOMEDEPOT.COM)



Questions, problèmes, pièces manquantes?

Avant de retourner au magasin, appelez le service à la clientèle  
Glacier Bay entre 8 h et 19 h, HNE, du lundi au vendredi au  
entre 9 h et 18 h, HNE, le samedi au

1-855-HD-GLACIER (1-855-434-5224)

[HOMEDEPOT.COM](http://HOMEDEPOT.COM)

Conservez ce manuel pour référence future.