

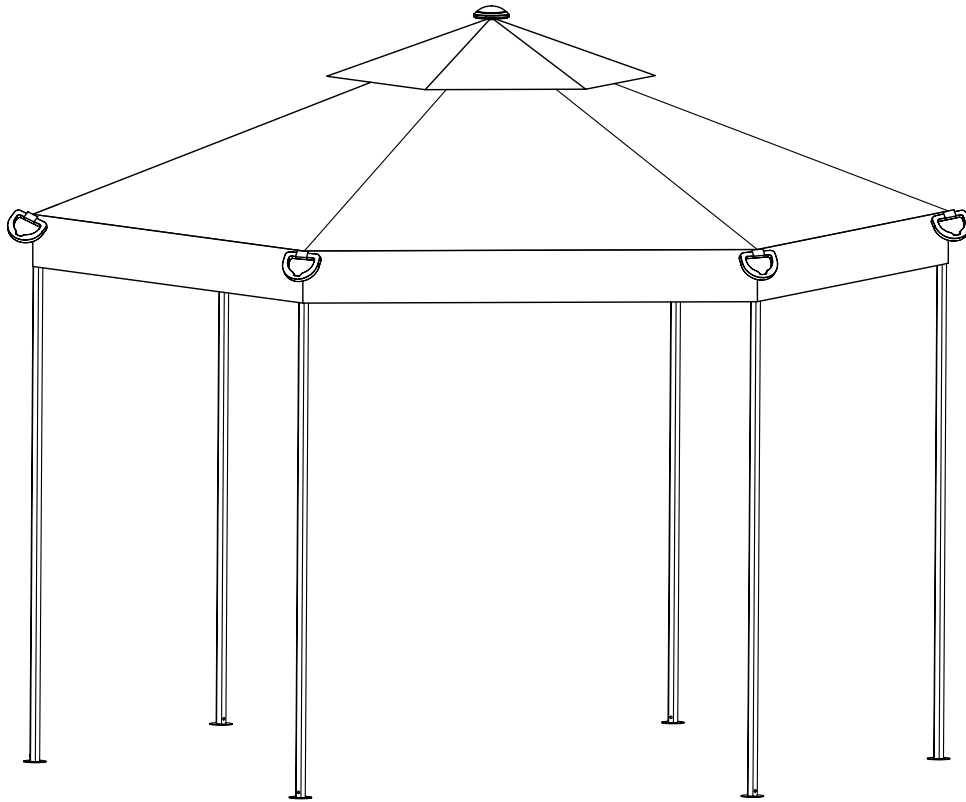
Item# 1001 472 478  
Model # GFS00679B-CPY

# HAMPTON BAY<sup>®</sup>

## USE AND CARE GUIDE

---

### REPLACEMENT CANOPY 10 FT X 10 FT SOLAR GAZEBO



Questions, problems, missing parts? Before returning to the store,  
call Hampton Bay Customer Service.  
8 a.m. - 7 p.m., EST, Monday - Friday, 9 a.m. - 6 p.m., EST, Saturday

**1-855-HD-HAMPTON**

**HAMPTONBAY.COM**

---

#### **THANK YOU**


*We appreciate the trust and confidence you have placed in Hampton Bay through the purchase of this gazebo canopy. We strive to continually create quality products designed to enhance your home. Visit us online to see our full line of products available for your home improvement needs. Thank you for choosing Hampton Bay!*


# Table of Contents


Table of Contents.....	2	Package Contents.....	3
Safety Information .....	2	Assembly.....	4
Safety Warnings .....	2	Care and Cleaning.....	6
Warranty .....	2		
What is Covered .....	2		
What is Not Covered .....	2		
Pre-Assembly .....	2		
Planning Assembly .....	2		

# Safety Information

## SAFETY WARNINGS

 **WARNING:** Keep all flame and heat sources away from this gazebo fabric.

 **WARNING:** This application of any foreign substance to the gazebo fabric may render the flame resistant properties ineffective.

 **WARNING:** This gazebo is made with fabric that meets CPAI - 84 specifications for flame resistance. It is not fire proof. The fabric will burn if left in continuous contact with any flame source.

# Warranty

## 2 YEAR FABRIC WARRANTY

### WHAT IS COVERED

We warrant the fabric to be free of manufacturing defects to the original purchaser for two years.

### WHAT IS NOT COVERED

It remains the customer's responsibility for freight and packaging charges to and from our service center. This warranty does not cover commercial use, hardware, acts of nature, fire, freezing and abusive use. In addition, purchased parts are not covered under this warranty. We reserve the right to make substitutions with similar merchandise, if the model in question is no longer in production.


Contact the Customer Service Team at 1-855-HD-HAMPTON or visit [www.HamptonBay.com](http://www.HamptonBay.com)

# Pre-Assembly

## PLANNING ASSEMBLY

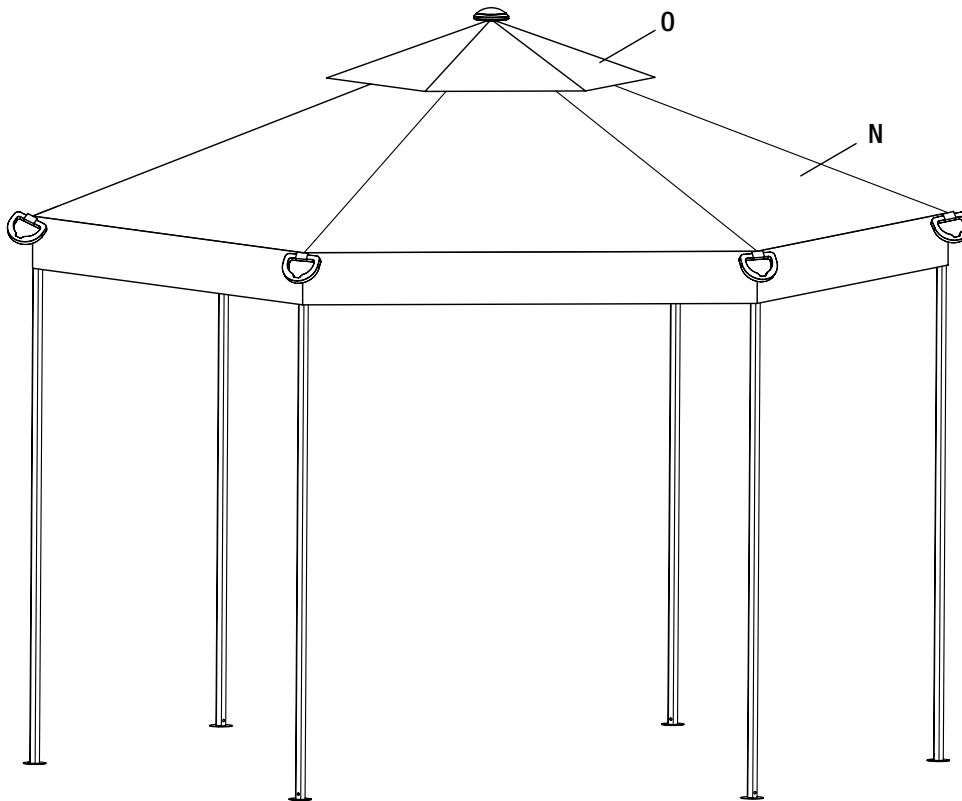
Read all instructions before assembly.

To avoid damaging this product, assemble it on a soft, non-abrasive surface such as carpet or cardboard.

 **NOTE:** More than one person may be required to complete the assembly of this product.

# Pre-Assembly

## PACKAGE CONTENTS

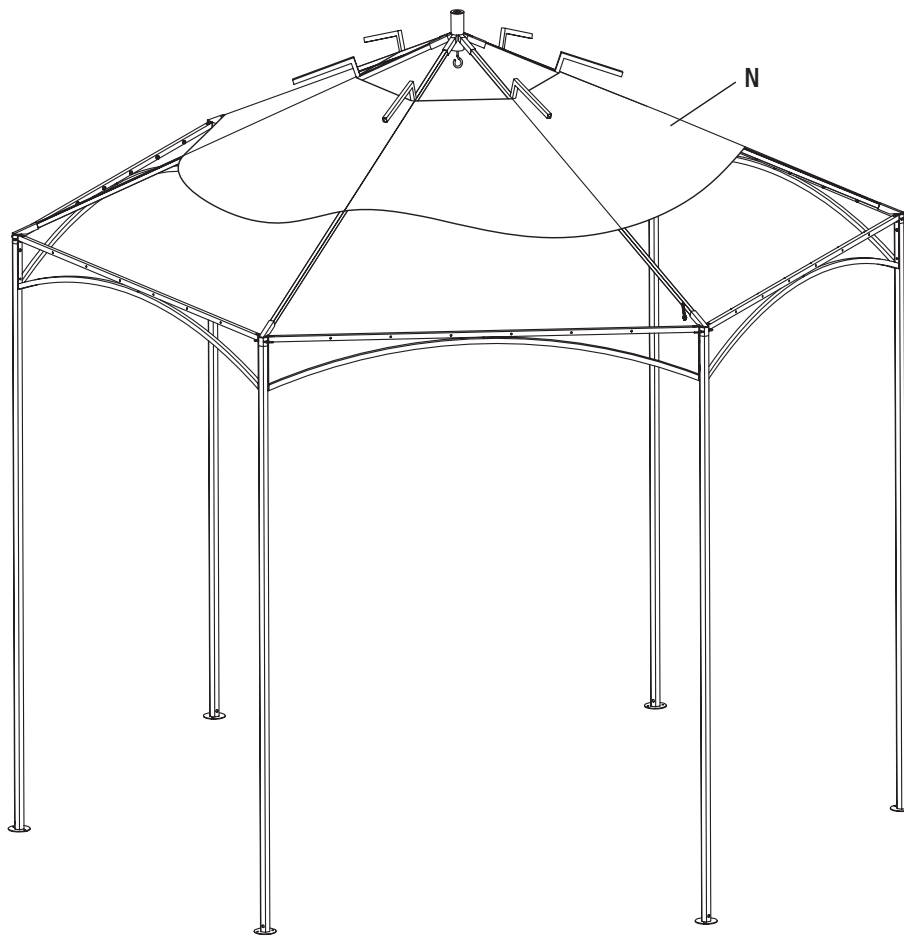


Part	Description	Quantity
O	Small fabric cover	1
N	Large fabric cover	1

# Assembly

## 1 Replacing the large fabric cover

- Place the large fabric cover (N) loosely on top of the frame.



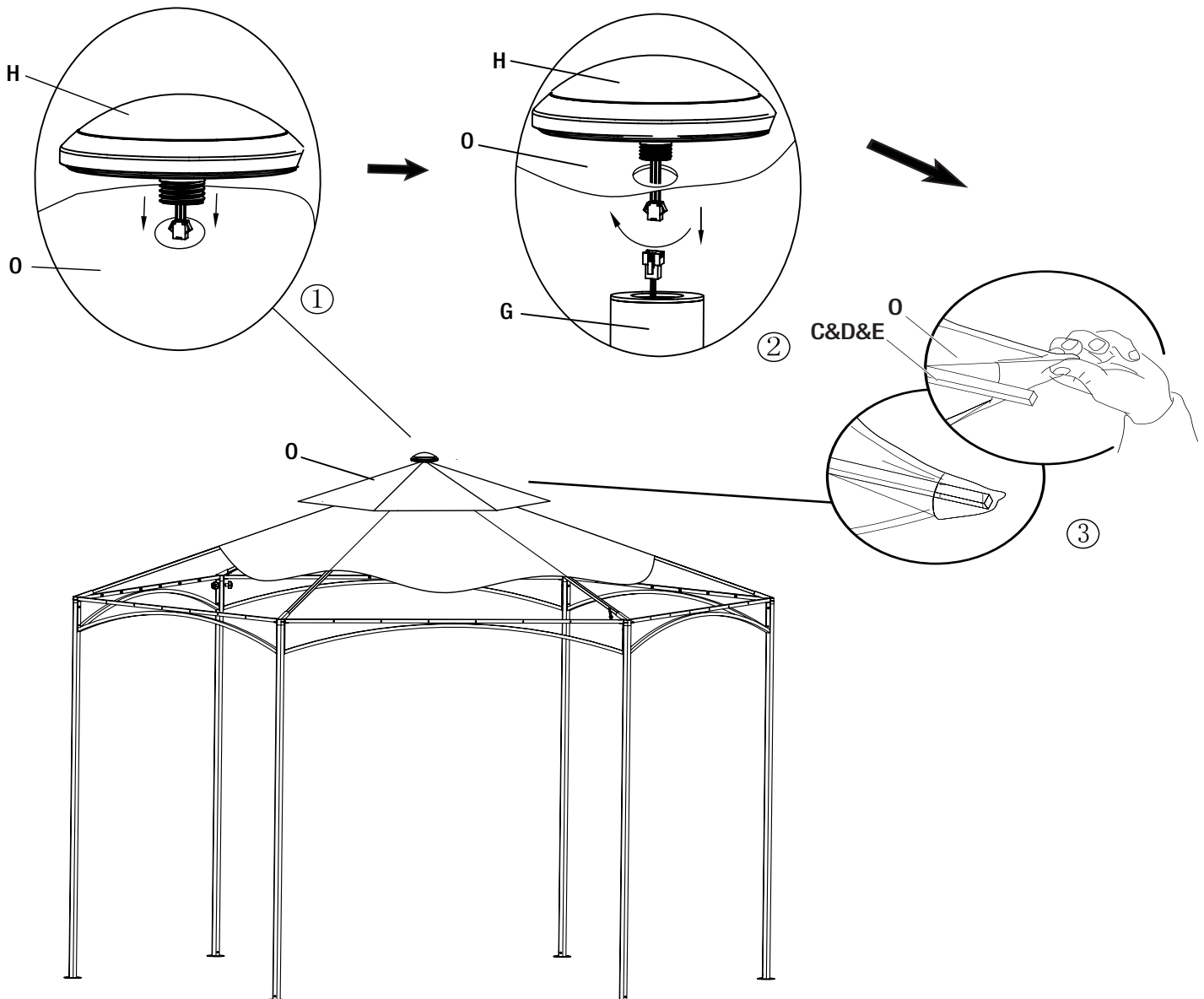
# Assembly (continued)

## 2 Attaching the solar energy receiver and the small fabric cover

- Make sure the solar energy receiver (H) goes through the small fabric cover (O).
- Connect the adapter on the solar energy receiver (H) to the adapter on the top tube hub (G).
- Hide the adapter and wire into the top tube hub (G). Then attach the solar energy receiver (H) to the top tube hub (G) by turning clockwise.
- Attach each corner of the small fabric cover (O) by fully extending the fabric to the assembled top tubes (C), (D), and (E).



**NOTE:** When attaching the last corner of the small fabric cover (O), pull the fabric over the tubes of the top tubes (C), (D), and (E) to fully extend the cover on each corner.



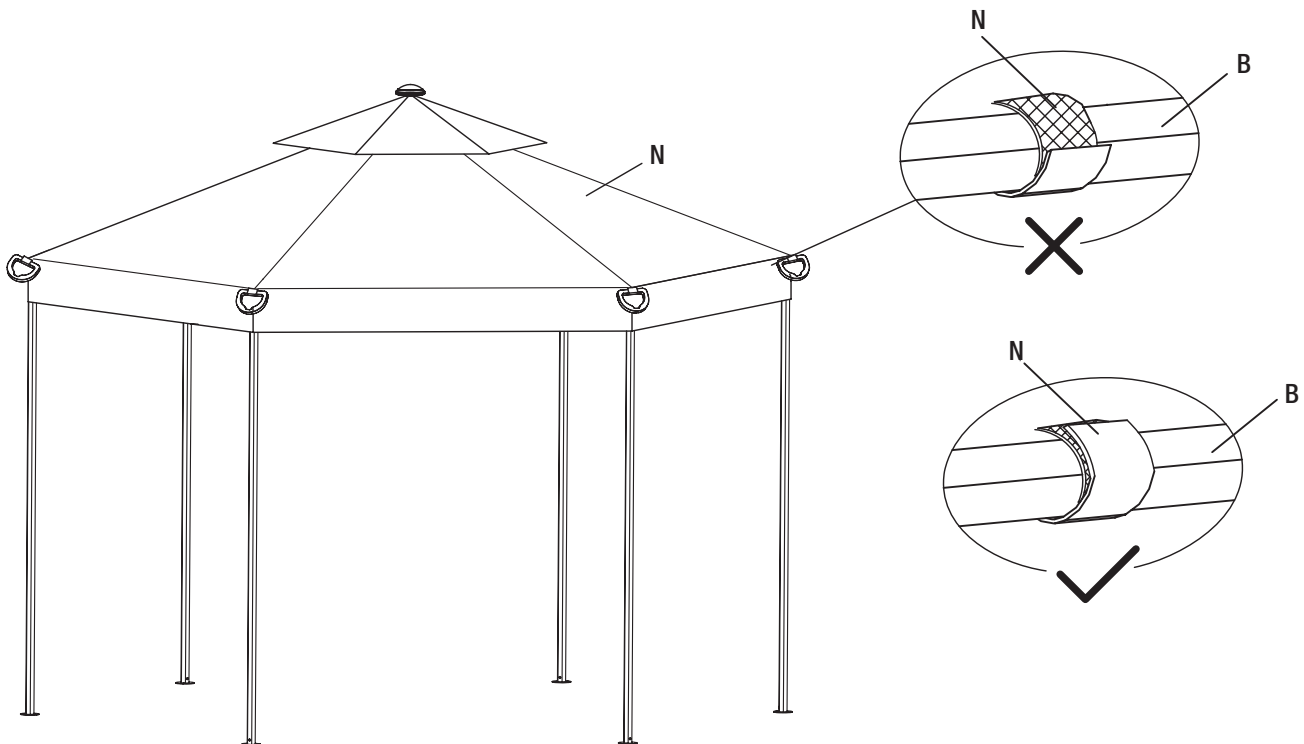
## Assembly (continued)

### 3 Tying the large fabric cover to the beams

- Tie the large fabric cover (N) to the beams (B).



**NOTE:** Fully extend the large fabric cover (N) over the beams (B).



## Care and Cleaning

- For best results, clean the canopy with a damp cloth, and dry thoroughly. This will help prevent mildew by removing dirt particles that may accumulate.
- Do not clean with abrasive materials, bleach, or solvents.
- Store the canopy in a dry, sheltered place when not in use.
- Keep the canopy away from fire, extreme heat, freezing conditions, and inclement weather such as rain, hail, sleet, snow, or wind.

# HAMPTON BAY<sup>®</sup>

Questions, problems, missing parts? Before returning to the store,  
call Hampton Bay Customer Service.  
8 a.m. - 7 p.m., EST, Monday - Friday, 9 a.m. - 6 p.m., EST, Saturday

**1-855-HD-HAMPTON**

**HAMPTONBAY.COM**

Retain this manual for future use.