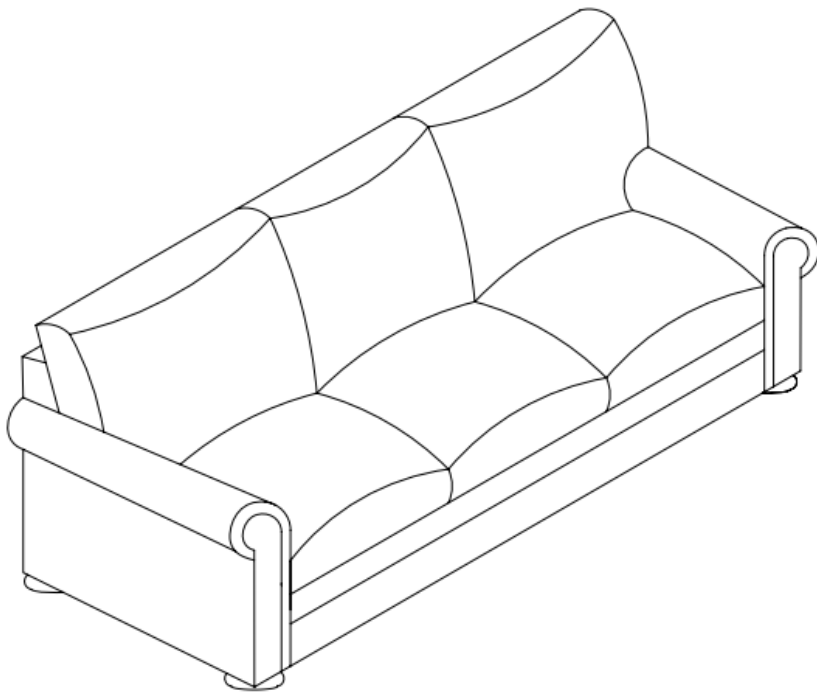


ASSEMBLY INSTRUCTIONS

ALWIN SOFA



Questions, problems, missing parts? Before returning to the store, call
Home Decorators Collection Customer Service
8 a.m. - 6 p.m., EST, Monday-Friday

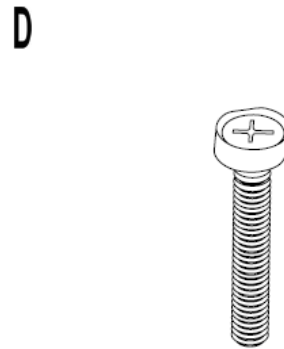
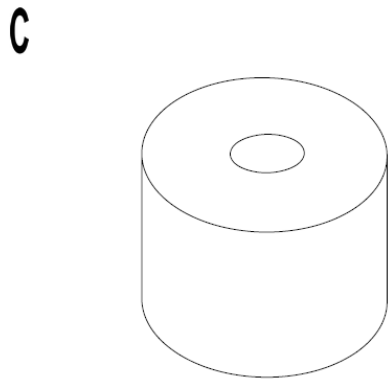
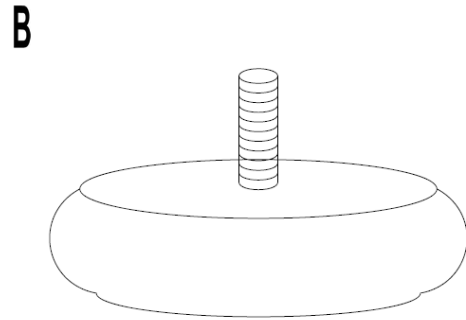
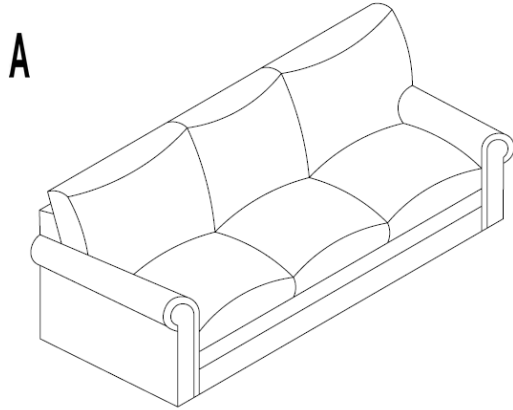
1-800-986-3460

HOMEDEPOT.COM/HDC

THANK YOU

We appreciate the trust and confidence you have placed in Home Decorators Collection through the purchase of this vanity. We strive to continually create quality products designed to enhance your home. Visit us online to see our full line of products available for your home improvement needs. Thank you for choosing Home Decorators Collection!

PACKAGE CONTENTS



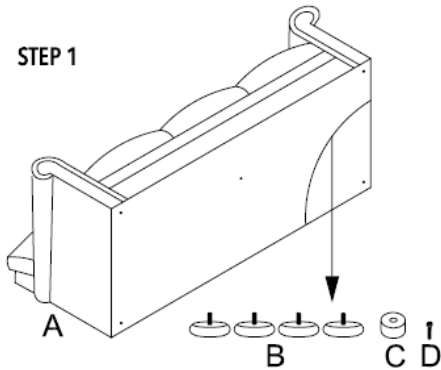
Part	Description	Quantity
A	Sofa	1
B	Wood Leg	4
C	Plastic Middle Leg	1
D	Bolt	1

Assembly

1 Get the legs from package

Turn the **Sofa (A)** upside down and place on a soft, clean surface to prevent leather from scratching. Unzip the compartment located on the bottom of **Sofa (A)**, take out the **Legs (B)** packed inside. Close zipper.

□

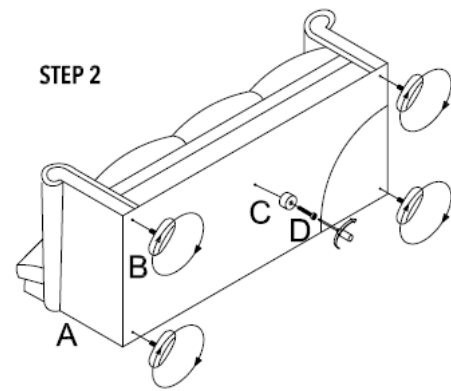


2 Attaching the legs

Align hanger bolt of Wood Leg (B) to the pre-drilled holes, turn the Leg (B) clockwise until the legs are tightened.

□

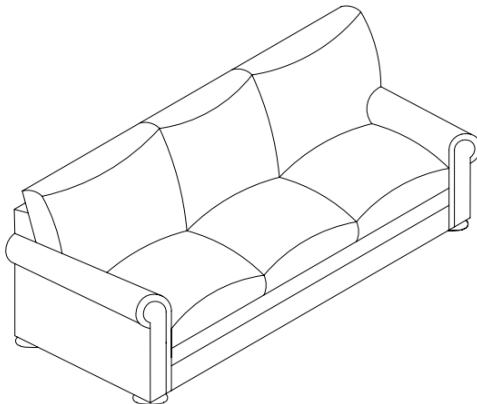
Attach the Support Leg (C) into the center hole of the sofa by using Bolt (1) as picture shown. Tighten by a Screwdriver (Not provided).



3 Turn the sofa upright

Turn the **Sofa (A)** upright position. Assembly is complete now.

□



Maintenance

To protect your furniture, we suggest the following:

- Proper placement of your upholstery in a room can contribute to its life. Try to avoid placing your furniture in direct sunlight and maintain a safe distance from a heat source
- Remember to vacuum your furniture often. This will help prevent dust and other debris from becoming embedded in the fabric. Use the soft brush attachment on your vacuum cleaner for leather upholstery.

Care and Cleaning

For best results in cleaning your bath furniture, we recommend the following:

- Dust regularly with a clean dust cloth, do not use furniture polish, oils, varnishes, ammonia water, soaps or dusting agents. To help remove soil or stains, use lukewarm water and thoroughly clean an area of the leather that includes the stain. Avoid dabbing the stained area only. Do not rub. Let dry naturally and repeat if necessary. Avoid using ink pens, nail polish, nail polish remover or other harmful products near your leather furniture to avoid spills and avoid placing newspapers or magazines on the surfaces, as the inks may transfer onto the leather.