

DA SERIES

MODULAR COMPRESSED AIR DRYERS

DEW POINTS
TO
-40° F

The DA provides bone dry air so your paint jobs come out perfect every time. When combined with pre-filtration and post-filtration, you have the ideal solution for eliminating air contaminants that cause issues with paint spraying, whether water or solvent borne.

SIMPLE AND EFFECTIVE

DA Series offers compressed air users a simple and effective no-nonsense approach to dry compressed air. Great for use with any type of compressor including piston, scroll, rotary vane or rotary screw technologies. The ability to function with inlet temperatures to 150°F makes it ideal for use with tank mounted reciprocating air compressors that lack an aftercooler.

FEATURES

- Easy installation (universal wall mounting brackets) in a compact and expandable system, wall or compressor mounted
- Can be mounted on FS-Curtis compressors
- Alternative to a high inlet temperature refrigerated dryer
- Environmentally friendly, using no refrigerant
- Lowest operational and maintenance cost of any regenerative air dryer
- Molecular sieve desiccant in easy spin-on canisters
- Particulate afterfilter built into the canisters
- Operates uninterrupted in dirty or dusty environments
- 150°F maximum inlet temperature
- Air cooled aftercooler not required
- Additional options available



CAN BE WALL-MOUNTED OR
COMPRESSOR-MOUNTED



COMPLETE MODULAR DRYING SYSTEMS

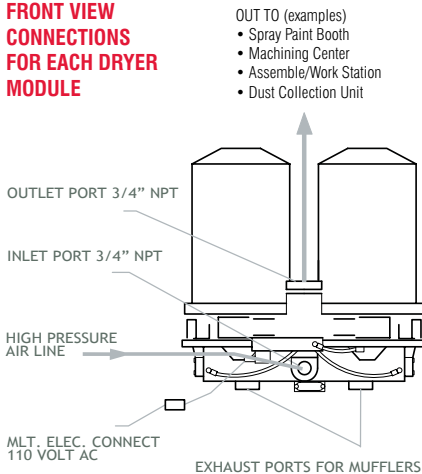
*DRYER MODELS	MODULES USED	SCFM	VOLTAGE	RECOMMENDED **COALESCING PRE-FILTER	WEIGHT WALL MOUNTED	CAN BE MOUNTED ON RS COMPRESSOR
DA-220E	220E	20	115V	CF5-16-4DPL	47lbs	CONSULT FACTORY
DA-230E	230E	30	115V	CF5-16-4DPL	47lbs	CONSULT FACTORY
DA-240E	240E	40	115V	CF5-20-4-DPL	49lbs	RSB-10
DA-450ES	230E, 220S	50	115V	CF5-24-6-DGL	95lbs	CONSULT FACTORY
DA-460ES	230E, 230S	60	115V	CF5-24-6-DGL	95lbs	RSB-15
DA-470ES	240E, 230S	70	115V	CF5-24-6-DGL	97lbs	CONSULT FACTORY
DA-480ES	240E, 240S	80	115V	CF5-24-6-DGL	97lbs	RSB-20
DA-6100ESS	240E, 230S, 230S	100	115V	CF5-24-8-DGL	120lbs	RSB-25
DA-6120ESS	240E, 240S, 240S	120	115V	CF5-24-8-DGL	122lbs	RSB-30

*Models DA-220E, 230E, 240E include mounting bracket | *Models DA-450ES, 460ES, 470ES, 480ES include mounting bracket, dual-module mounting strut & dual-manifold | *Models DA-6100ESS, 6120ESS include mounting bracket, tri-module mounting strut & tri-manifold | **Coalescing Prefilter with automatic drain is recommended for these standard dryer packages

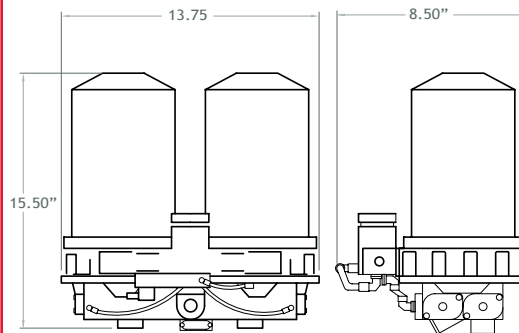
STANDARD FEATURES

150°F max inlet temperature; Long life, Twin canister design; Wall mount requires no aftercooler; 100-175 PSI operating range; Cycles automatically; Simple installation; 115V switching timer with plug; Expandable modular design; Built-in afterfilter; Not affected by high ambients.

FRONT VIEW CONNECTIONS FOR EACH DRYER MODULE



DIMENSION PER DRYER MODEL



MODEL: DA-480ES DRYER WITH PREFILTER, MOUNTED ON RS20T AIR COMPRESSOR



Many compressor mounting options available. Consult factory for details.

AS SIMPLE AS 1, 2, 3

Expandable design allows for an increasing air requirement by simply adding additional modular units. Simple installation!



DA-220E, DA-230E, DA-240E



DA-450ES, DA-460ES, DA-470ES, DA-480ES



DA-6100ESS, DA-6120ESS

Distributed By:



CURTIS-TOLEDO®, INC.

1905 KIENLEN AVENUE | ST. LOUIS, MO 63133
314-383-1300 OR 800-925-5431
WWW.FSCURTIS.COM | INFO@FSCURTIS.COM

DA LITERATURE: DA0714 R1
Improvements and research are continuous at FS-Curtis. Specifications may change without notice.

ISO 9001
ISO 14001

© 2014 CURTIS-TOLEDO, INC.

