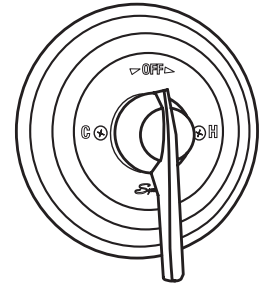
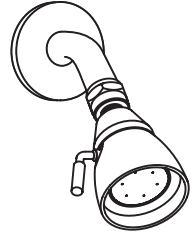


Location:

SYMMONS® Temptrol®

Shower System C-96-1 Specification Submittal



Feature Highlights

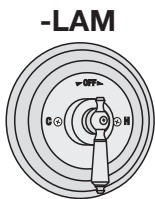
- Symmons commercial series shower system
- Symmons Temptrol® pressure balancing mixing valve with adjustable stop screw to limit handle turn.
- Showerhead #4-137 single mode, cast brass with adjustable flood / mist spray
- Showerhead mounting arm and flange
- Flow rate 2.5 gpm (9.5 L/min)
- Polished chrome finish (standard)

Model Numbers

- C-96-1
Shower System with Temptrol® mixing valve
- C-96-1-TRM
Shower Trim only, valve must be ordered separately

Handle Options / Modifications

Append appropriate -suffix to model number



- LAM Lever handle

Warranty

- Limited Lifetime - to the original end purchaser in consumer installations.
- 5 years - for commercial installations

Options / Modifications

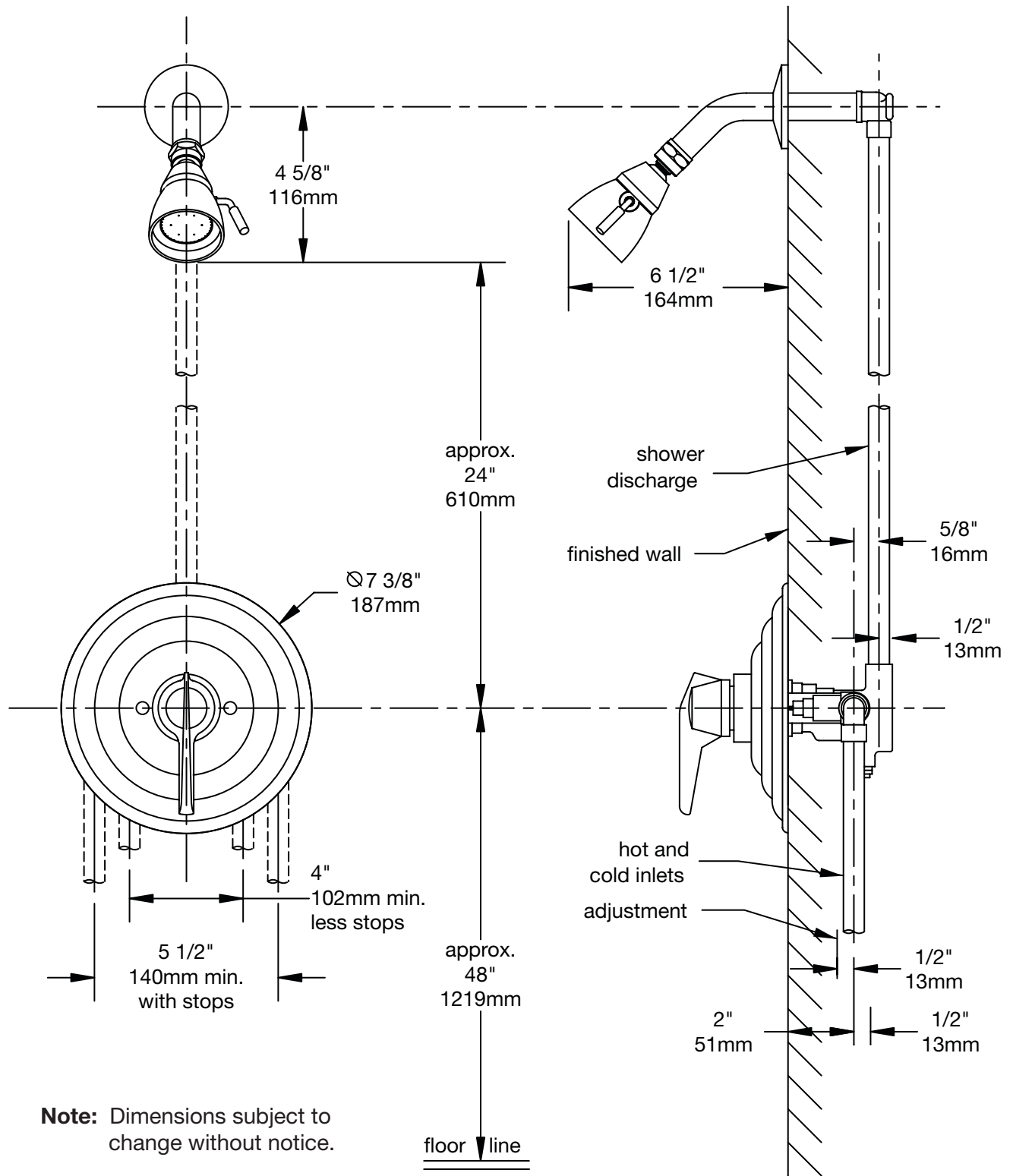
Append appropriate -suffix to model number

- X Integral Service Stops
Temptrol® mixing valve includes service stops to allow water shut-off for service
- IPS 1/2 inch female IPS connections on Symmons Temptrol® mixing valve
- REV Reverse core in valve for back-to-back installations. HOT on the right and COLD on the left.
Note: only available with (-X) Integral Service Stops (i.e -X-REV)
- CHKS Integral Check Stops.
Temptrol valve includes check stops
Note: Only available with (-X) Integral Service Stops (i.e. -X-CHKS). Used in installations where a positive shut-off device is used downstream of mixing valve
- VP Vandal resistant
- L/HD Showerhead not included
Includes showerhead arm and flange only

Standards / Certifications

ASME A112.18.1/CSA B125.1

Dimensions *Temptrol Shower System, C-96-1*



Symmons Industries, Inc. ■ 31 Brooks Drive ■ Braintree, MA 02184
 (800) 796-6667, (781) 848-2250 ■ Fax (800) 961-9621, (781) 664-1300
 Website: www.symmons.com ■ Email: customerservice@symmons.com

©2014 Symmons Industries, Inc. Printed in U.S.A. ■ 011714

SYMMONS[®]
 the smart choice™