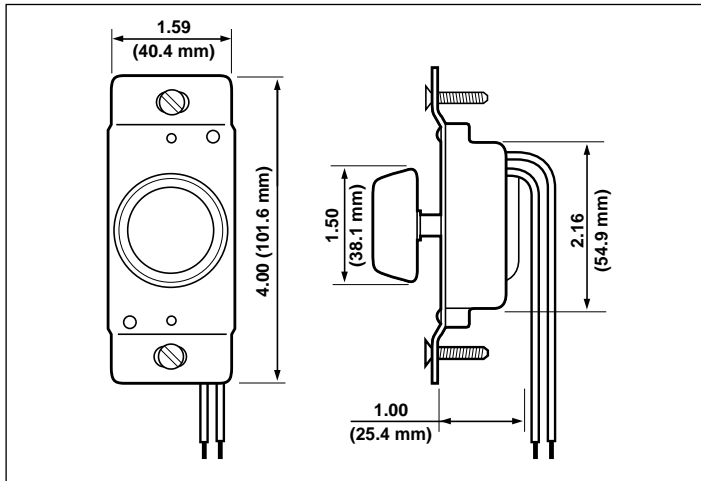


Trimatron™ Rotary Dimmers



Cat. No. 6681



Trimatron

APPLICATION

Leviton Trimatron™ lighting controls are traditional rotary-style dimmers that are renowned for their compact, easy-to-install design and outstanding reliability. Trimatron dimmers are only half as deep as many conventional rotary-style dimmers, providing an easy fit even in shallow wallboxes. They are furnished with wire leads to further speed installation. Trimatron dimmers are available in single-pole (one location) and 3-way (multi-location) Deluxe Push-ON/Push-OFF versions for incandescent lighting and fan speed control. The Trimatron line also includes Rotary ON/OFF dimmers and Quiet Fan Speed Controls.

FEATURES

- UL Listed (File # E-31373)
- CSA Certified (File # LR-3413)
- Trimatron Rotary Dimmers feature an ultra-compact design with wire leads for fast, easy installation even in tight, single-gang wallboxes.
- All dimmers in the Trimatron line feature super-reliable circuitry and a built-in radio/TV interference filter.
- Trimatron Rotary Dimmers offer full range dimming with positive ON/OFF switching in push-ON/push-OFF rotary or rotary ON/OFF models.
- Trimatron Rotary Fan Speed Controls can operate any number of ceiling fans within rated limits.
- All Trimatron Quiet Fan Rotary Speed Controls have special circuitry to reduce fan motor noise at low speeds.
- Use with Leviton DPSPE-112 Power Extender to extend load capacity to 2000W (2000VA) for incandescent, magnetic low-voltage and Advance Mark X™ fluorescent dimming ballasts.
- Use with Leviton DPSPE-212 Power Extender to extend load capacity to 2000VA for Advance Mark VII™ and Motorola Helios™ fluorescent ballasts.
- All Trimatron dimmers are compatible with Leviton standard toggle-switch wallplates and are easily gangable.
- Trimatron Dimmers are available with Ivory or White knobs with a gold insert. Brown or Black knobs can be ordered separately.

STANDARDS SPECIFICATIONS

Controls shall be UL Listed Leviton Multi-Location Rotary Dimmer with Limited Two-Year Warranty, ultra-compact design with wire leads for east installation. Device shall be available in rotary ON/Off switching and Push-ON/Push-OFF rotary versions. Quiet Fan Rotary Speed control models shall operate any number of ceiling fans within rated limits and shall have special circuitry to reduce noise at low speeds. Available in ratings and colors as scheduled on plan.

Performance Specifications	
Electrical	<ul style="list-style-type: none"> • Input 120 VAC @ 60Hz. • RFI noise suppression. • Maximum load incandescent 600 watts stand alone.
Mechanical	<ul style="list-style-type: none"> • Dimmer control – rotary. • Push on/off switch. • Two wire device plus ground wire. • On/off switch provides air-gap switch for servicing.
Environmental	<ul style="list-style-type: none"> • Operating 0 degrees celsius to 55 degrees celsius. • Non-operating –10 degrees celsius to 85 degrees celsius. • Relative humidity, non-condensing 20% to 90%.

ORDERING INFORMATION

Cat. No.	Rating	Description
6681	600 Watts	Deluxe Push-ON/Push-Off Single Pole Incandescent Dimmer
6683	600 Watts	Deluxe Push-ON/Push-OFF 3-Way Incandescent Dimmer
6602	600 Watts	Full Range Rotary ON/OFF Single-Pole Dimmer
6675	Up to 480 Watts	Full-Range Rotary Single Pole Fluorescent Dimmer, controls 2-12 40 watt rapid start lamps
6616-1XW	5 Amps	Wall-mounted Fan Speed Control with low speed trim adjuster
6619-DW	1.5 Amps	4-Level Quiet Fan Speed Control
26115	Dimmer Knob	Trimatron Dimmer Knob with Gold Insert. Available in Ivory (-I), White (-W) and Black (-E).

Leviton's Limited Two-Year Warranty

This warranty gives you specific rights, and you may also have other rights, which vary in different states and countries. Leviton warrants to the original consumer purchaser that this product is free of defects in materials and workmanship for 2 years from the purchase date. Leviton's only obligation is to correct such defects by repair or replacement, at its option, if within such 2 years the product is returned prepaid, with proof of purchase date, and a description of the problem to the Leviton Manufacturing Co., Inc., ATTN: Quality Assurance Department, 59-25 Little Neck Pkwy., Little Neck, NY 11362-2591. This warranty does not cover labor for removal or reinstallation of the product and is void on any product installed improperly or in an improper environment, overloaded, misused, opened, abused, or altered in any manner. There are no implied warranties of any kind, but if implied warranties are required by the applicable jurisdiction, Leviton limits the duration of any implied warranty of fitness for use or merchantability to 2 years. Leviton is not liable for incidental or consequential damages, including without limitation, loss of equipment use and lost sales or profits for breach of any warranty on this product. Some jurisdictions may not allow exclusion of or limitations on how long an implied warranty lasts or the exclusion or limitation of incidental or consequential damages, so the above exclusions or limitations may not even apply to you.



Leviton Mfg. Co., Inc. 59-25 Little Neck Pkwy • Little Neck, NY 11362 • Phone: (800) 323-8920 • Fax: (800) 832-9538