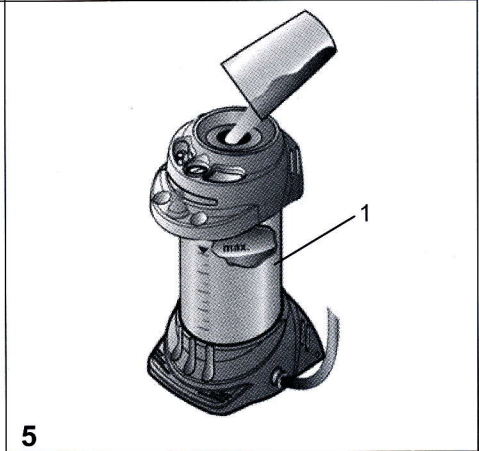
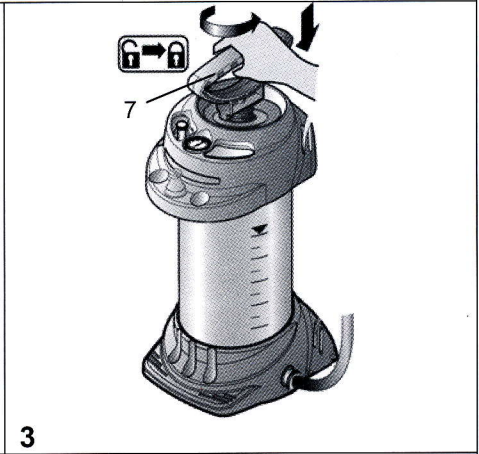
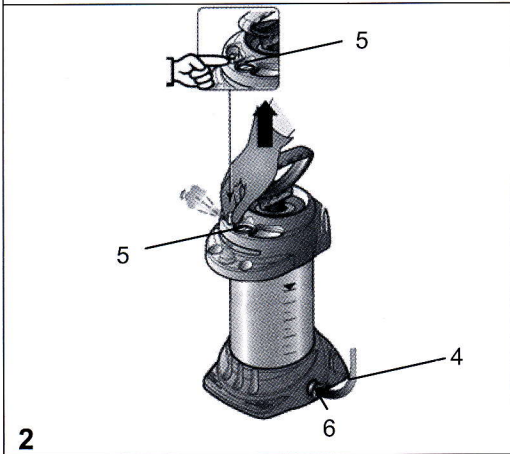
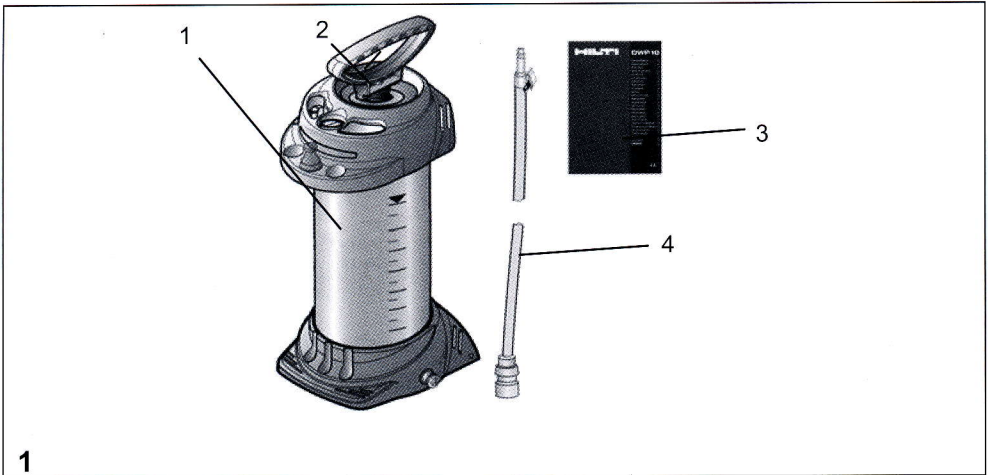


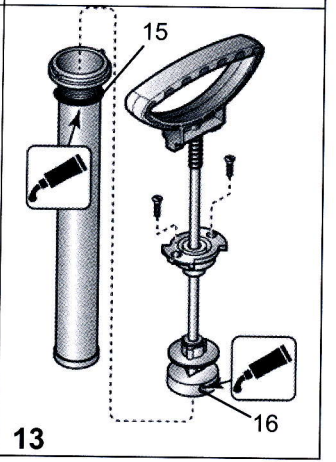
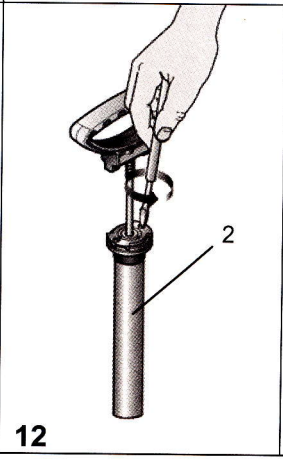
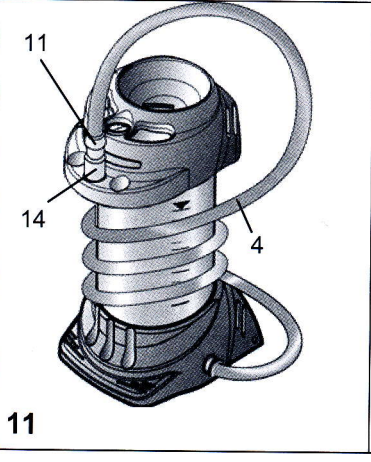
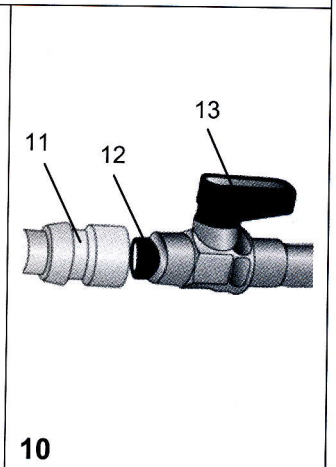
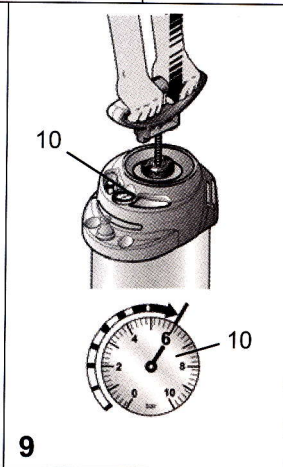
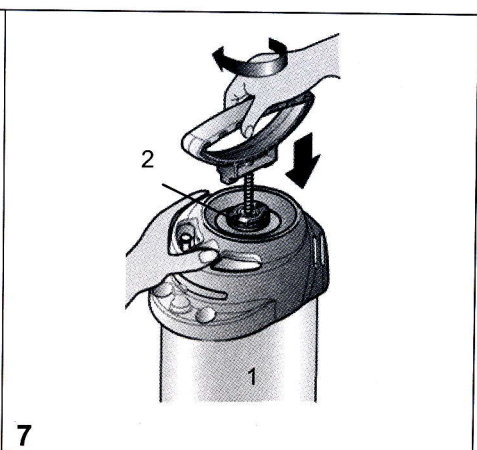
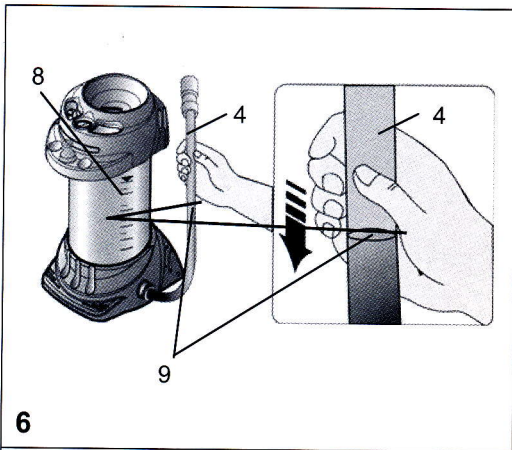
HILTI

DWP 10

Bedienungsanleitung	de
Operating instructions	en
Mode d'emploi	fr
Manual de instrucciones	es
Istruzioni d'uso	it
Gebruiksaanwijzing	nl
Brugsanvisning	da
Bruksanvisning	no
Bruksanvisning	sv
Käyttöohje	fi
Manual de instruções	pt
Οδηγίες χρήσεως	el
Használati utasítás	hu
Návod k obsluze	cs
Návod na obsluhu	sk
Instrukcja obsługi	pl
Upute za uporabu	hr
Navodila za uporabo	sl
Ръководство за обслужване	bg
Инструкция по експлуатации	ru
Instrucțiuni de utilizare	ro
Lietošanas pamācība	lv
Instrukcija	lt
Kasutusjuhend	et
取扱説明書	ja

CE





Hilti DWP 10



Make certain to read the instructions for use before using the water supply device!
Keep the instructions for use in a safe place where they can be easily found.
If the water supply device is given to someone else, the Operating Instructions must be included.

Usage

Water pressure tanks Hilti DWP 10 are designed for supplying drills, concrete saws, cut-off grinders, etc. with cooling and rinsing liquids, usually water.



Improper use may result in dangerous injuries and environmental damage.

Not suitable for

- Combustible liquids with a flashing point below 55 °C
- Hydrogen peroxide and similar substances that give off oxygen
- Corrosive substances (certain disinfecting and impregnating agents, acids and bases)
- Liquids containing ammonia
- Solvents and liquids containing solvents
- Viscous or sticky liquids or liquids that form residues (dyes, greases)
- Use in applications for foodstuffs.

Under no circumstances should you use

- external sources of pressure
- for storing and holding liquids
- as an eyewash.

Safety



Children and adolescents who have not been properly instructed must not use the water supply device.



Keep the water supply device safe from access to children.

Take precautions to prevent hazardous substances from being misused.



Repairs and modifications to the water supply device are not permitted.

The effect of the safety valve must not be bypassed or made inoperative.



Contact between water pressure tank materials and hydrogen peroxide or other agents which give off oxygen may result in increased pressure similar in nature to an explosion. Never place such agents in the device.



Have damaged or non-working parts replaced by our Customer Service Department immediately.



Do not allow the water supply device to remain under pressure and/or exposed directly to sunlight. Make certain the water supply device is not heated beyond the maximum operating temperature (→ Table 1 below).

Empty tank daily after use, never leave residue in the tank.



Use only Hilti spare and accessory parts.

We cannot assume any liability resulting from the use of third-party parts.



Wear suitable protective equipment.




When pumping, always observe the pressure gauge to ensure the maximum operating pressure (→ *Table 1 below*) is not exceeded.

Before filling, after use and before maintenance work, allow the residual pressure in the tank to dissipate completely (→ *Section "After Use", Section 1*).

Scope of delivery

Tank [1] with pump [2], Instructions for Use [3], and hose [4] (*Fig. 1*)

 You will find the illustrations referred to above in the front fold-out pages 2 – 3 of these Instructions for Use.

Technical data

	Hilti DWP 10
Max. filling amount	10 l
Total contents	13 l
Max. operating pressure	6 bar
Max. operating temperature	40 °C
Weight when empty	5.2 kg
Material of tank	Steel with polyester coating
Technical residual quantity	0.03 l


Table 1

Assembly

1. Connect the hose [4] to the outlet port [6].

Checks

Visual inspection: Are tank [1], pump [2] and hose [4] undamaged? (*Fig. 1*)

 Pay special attention to the connections between the tank – hose and to the condition of the pump thread and hose.

No leaks: Pump up the empty water supply device to 2 bar.

- ▶ The pressure must not decrease more than 0.5 bar within 30 minutes.

Function: Pull the red button on the safety valve [5]. (*Fig. 2*)

- ▶ The pressure must dissipate.

Making preparations



Observe the instructions in the section entitled "Safety".

1. Pull up the red button on the safety valve [5] until all excess pressure is released from the tank. (*Fig. 2*)
2. Press the pump handle [7] down and turn it counterclockwise.
 - ▶ The pump handle is locked in place. (*Fig. 3*)
3. Unscrew the pump [2] from the tank [1]. (*Fig. 4*)
4. Add the water to the tank [1] (*Fig. 5*)
5. Check the level [9] on the hose [4]. (*Fig. 6*)



All excess pressure must be released from the water supply device.

- ☞ Move the transparent hose [4] on the tank [1] from top to bottom several times (the liquid level in the hose and tank is equalized). The liquid level [9] visible in the hose [4] then corresponds to the level in the tank which can be read off the scale [8]. (Fig. 6)
6. Screw the pump [2] into the tank [1]. (Fig. 7)
7. Press the pump handle [7] down and turn it clockwise.
 - ▶ The pump handle is unlocked. (Fig. 8)
8. Generate pressure (approx. 2 bar) in the tank [1]. (Fig. 9)
- ☞ The maximum pressure should not exceed 6 bar (red line on the pressure gauge [10], Fig. 9). If the maximum pressure is exceeded, the safety valve will engage and release the excess pressure.
9. Press the pump handle [7] down and turn it counterclockwise.
 - ▶ The pump handle is locked in place. (Fig. 3)

Use



Observe the instructions in the section entitled "Safety".

1. Connect the plug-in coupling [11] of the water pressure tank to the plug-in nipple [12] on your device (Fig. 10)
2. Activate the ball valve [13]. (Fig. 10)
 - ▶ The liquid starts to be supplied.
- ☞ The amount of liquid can be controlled with the ball valve [13] of your device.
3. If the pressure drops below 1 bar (min. 0.5 bar), pump again. (Fig. 9)
4. If the tank is empty, refill. (→ See chapter entitled "Preparation")

After Usage



Observe the instructions in the section entitled "Safety".

1. Hold the plug-in coupling [11] and pull and simultaneously rotate its outer ring. (Fig. 10)
 - ▶ The plug-in coupling [11] is disconnected from the plug-in nipple [12] on the device.
2. Pull up the red button on the safety valve [5] until all excess pressure is released from the tank. (Fig. 2)
3. Lock the pump handle in place [7]. (Fig. 3)
4. Unscrew the pump [2] from the tank [1]. (Fig. 4)
5. Wipe off the water supply device with a moist cloth.
6. Wind the hose [4] around the tank and connect the plug-in coupling [11] to the plug-in mandrel [14] of the water supply device. (Fig. 11)
7. For drying and storing the water supply device, keep it in a dry place protected from sunlight and freezing temperatures.

Care and maintenance



Observe the instructions in the section entitled "Safety".

After using the device 50 times or at least once a year:

- Disassemble the pump [2] (Fig. 12) and grease the diaphragm [16]. (Fig. 12)
- Grease the O-ring [15]. (Fig. 13)



Observe the legal requirements of your country for accident prevention and check the water supply device at regular intervals.

If there are no special rules, we recommend you have the device examined externally by Hilti's Customer Service Department every 2 years and subject it to an internal inspection every 5 years.

Faults



Use only Hilti spare and accessory parts.

Fault	Cause	Remedy
No pressure builds up in the water supply device	The pump is not screwed on tightly.	Screw the pump on tightly
	O-ring [15] on the pump is faulty.	Have the device repaired by Hilti's Customer Service Department
	Diaphragm [16] is defective.	Have the device repaired by Hilti's Customer Service Department
Liquid flows out of the pump.	Valve disc dirty or defective.	Clean the valve disc or have it repaired by Hilti's Customer Service Department.
Safety valves blow off too early.	Safety valve [5] is defective.	Have the device repaired by Hilti's Customer Service Department
Pressure gauge is not indicating any tank pressure.	Pressure gauge [10] defective.	Have the device repaired by Hilti's Customer Service Department

Manufacturer's warranty - tools

Hilti warrants that the tool supplied is free of defects in material and workmanship. This warranty is valid so long as the tool is operated and handled correctly, cleaned and serviced properly and in accordance with the Hilti Operating Instructions, and the technical system is maintained. This means that only original Hilti consumables, components and spare parts may be used in the tool.

This warranty provides the free-of-charge repair or replacement of defective parts only over the entire lifespan of the tool. Parts requiring repair or replacement as a result of normal wear and tear are not covered by this warranty.

Additional claims are excluded, unless stringent national rules prohibit such exclusion. In particular, Hilti is not obligated for direct, indirect, incidental or consequential damages, losses or expenses in connection with, or by reason of, the use of, or inability to use the tool for any purpose. Implied warranties of merchantability or fitness for a particular purpose are specifically excluded.

For repair or replacement, send the tool or related parts immediately upon discovery of the defect to the address of the local Hilti marketing organization provided.

This constitutes Hilti's entire obligation with regard to warranty and supersedes all prior or contemporaneous comments and oral or written agreements concerning warranties.

CE Declaration of Conformity

HILTI products belonging to the **3585** series meet the requirements of the Pressure Equipment Directive 97/23/EC and carry the CE mark.