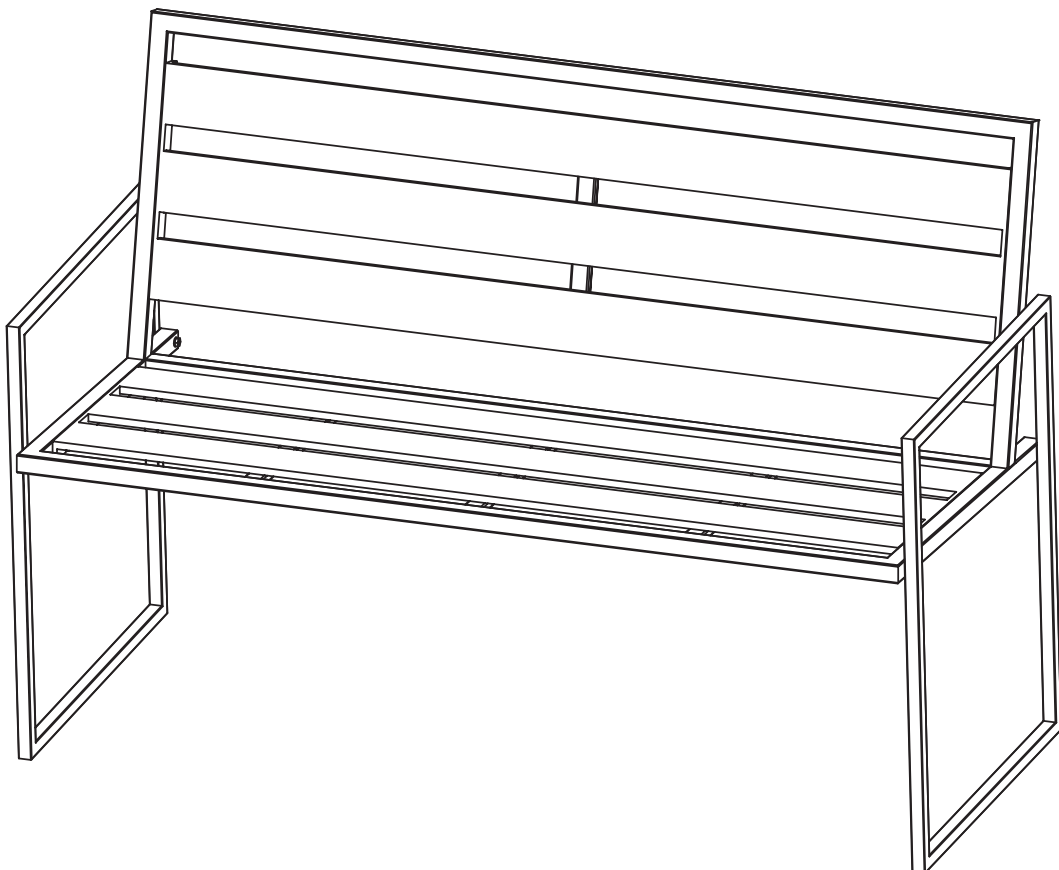


**Montgomery bench**  
**ASSEMBLY INSTRUCTIONS**  
**S-K-319PB**



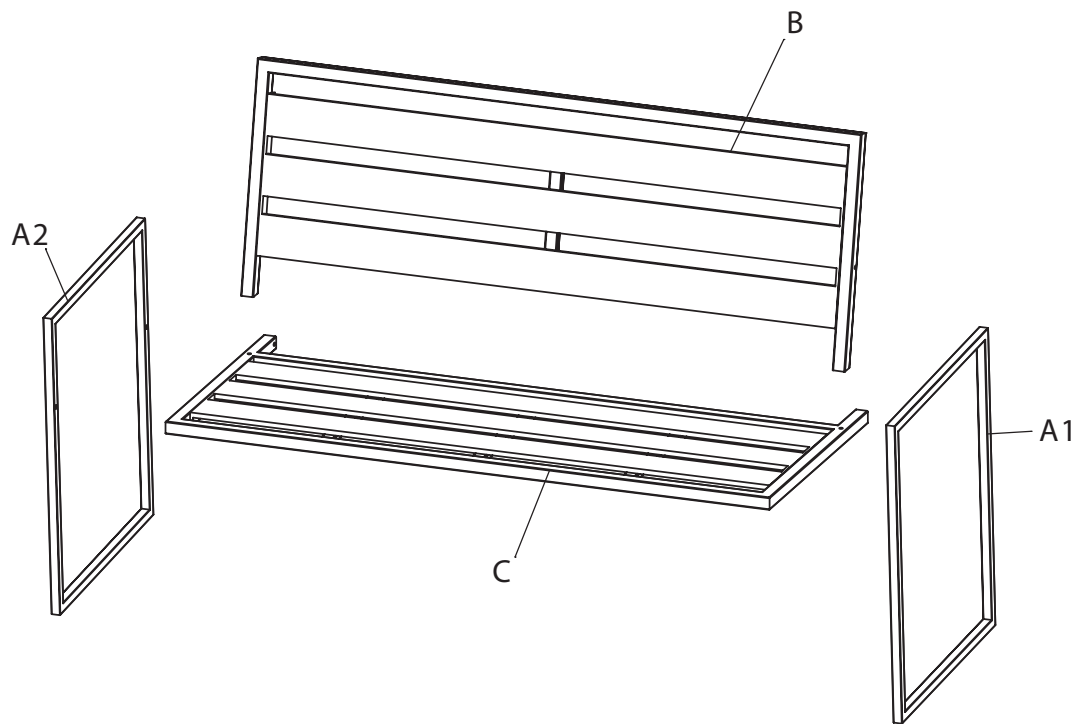
Questions, problems, missing parts with this product? Do not return to your retailer, please call our customer service department 9:00 a.m. to 5:00 p.m. Eastern Standard Time Monday through Friday Phone # 1-800-457-4652 or contact us at [www.numarkcustomerservice.com](http://www.numarkcustomerservice.com)



# Parts

---

A1	left arm	1
A2	right arm	1
B	back	1
C	seat	1



## Hardware

D1 x 6  
Short bolt



D2 x 2  
Long bolt



D3 x 8  
Metal washer

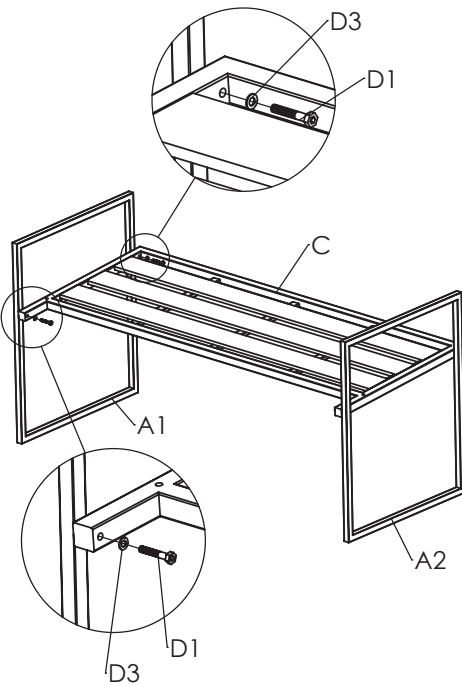


D4 x 1  
Allen wrench




# Assembly instruction


1



D1 x 4  
Short bolt

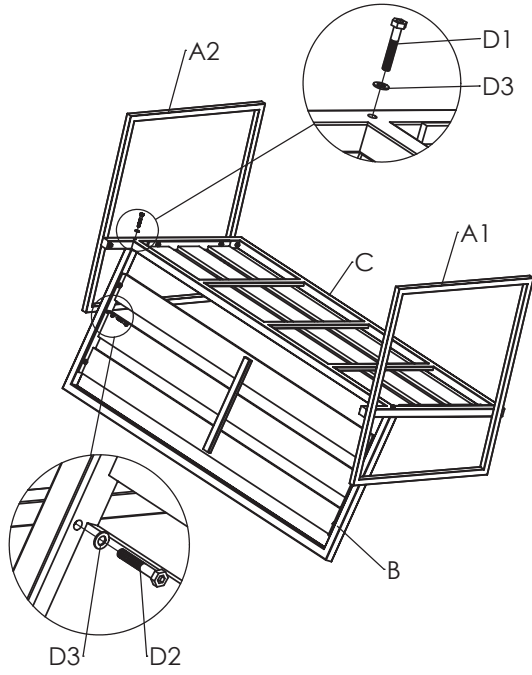


D3 x 4  
Metal Washer




Do not tighten completely.  
Repeat procedure for the other side.


2




D1 x 2  
Short bolt



D2 x 2  
Long bolt



D3 x 4  
Metal Washer



Securely tighten all bolts by using Allen wrench (D4).  
Your bench is now ready for use.