



HUSKY®

Item Number: 458-424
Model Number: ERZ782478W-4

FOUR-LEVEL STEEL BULK STORAGE RACK

Warranty

GUARANTEED FOREVER. If your Husky tool or storage unit ever fails bring it back and we will replace it for free. This full warranty gives you specific rights which vary from state to state. If this product is defective contact the manufacturer for repair or replacement parts.

Contents

Description	Quantity	Part Number	Size
A: beam	8	ERB72BLK	72"
B: frame	2	ERF7824BLK	24" x 78"
C: tie bar	4	ERTB24BLK	24"
D: wire deck	4	RWD2472SF	24" x 72"
E: fasteners	1 bag	nuts (8) bolts (8)	
F: push clips	16	ERPCLP	

General Instructions

Assembly of this unit is done by fitting the brackets of the beams into the slots of the post frames. A rubber mallet should be used on the ledge of the beams to properly seat the beam brackets..

The stepped surface of the beam ledge is the top, and should face upwards. This is the surface that the wire deck will rest on.

A bracket should engage and fit firmly into the tapered slot of the post frame. This engagement is a tight swaged fit and will apply resistance as it fully engages. A visual inspection should be made to show that the bracket is properly engaged in the slot.

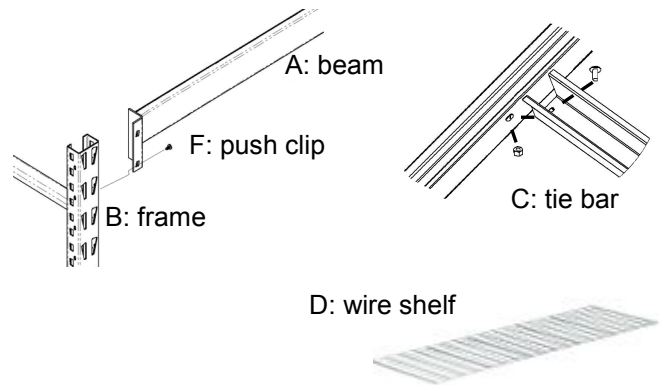
If a hammer is used care should be taken to protect the beam surface to avoid damage by using a protective cloth or block of wood. After assembly re-check each beam for proper engagement.

Tools Required

Hammer or Rubber Mallet
Adjustable Wrench
Slotted Screwdriver



Components



Safety Instructions

These units should be placed on a level surface. Failure to do so can result in poor product performance or create a possible safety hazard.

This unit should be securely anchored to a wall or floor with suitable fasteners, which are not included.

Do not use this unit for anything other than the manufacturer's intended purpose.

Do not stand on any part of the unit, or use it as a ladder.

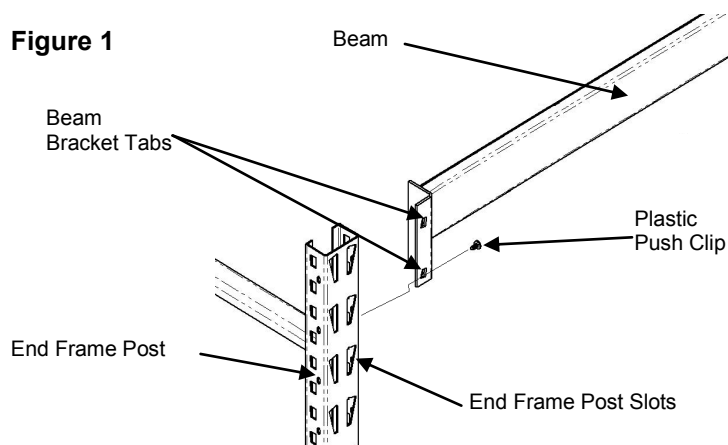
Use care when working with metal parts.

* Evenly distribute the weight on each level and always keep the heavier loads on the bottom.

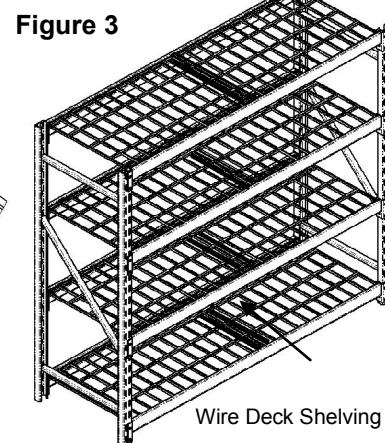
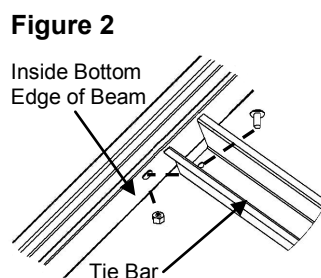
Assembly Instructions

- This storage rack unit must be placed on a level surface. Failure to do so can result in unit failure, poor product performance, or a possible “tipping” safety hazard.
- DO NOT STAND ON THE UNIT OR USE THE UNIT AS A LADDER ! DO NOT OVERLOAD.
- Evenly distribute the weight on each shelf, and keep the heaviest loads on the bottom shelf. Use care and the proper attire when working with metal parts.

- Attach the beams to the welded end frame posts (see figure 1) starting at the bottom level by using both end frames to establish the left and the right sides of the units.
- After a beam has been placed in both end frame posts slots, tap the beam down at both ends with a rubber mallet to help drive the beam bracket tabs into the slots to secure the beam. Continue assembling each level from bottom to top level (front and back).
- If the beam bracket tabs become bent due to mishandling. It may be necessary to adjust the tabs back to their proper form.
- Place a plastic push clip into the hole of the beam end clip, then tap the plastic clip with a mallet to drive it into the hole of the end frame post to secure the beam to the end frame (see figure 1).



- The completed unit should have four (4) levels evenly spaced for maximum stability.
- Although the beams are adjustable in height, it's recommended to evenly space them so that the stability of the unit is not compromised.
- Tie bars are used to assist with a heavy load. Insert a tie bar in each level by aligning the holes located on the ends of the tie bar, to the holes located toward the center and on the inside bottom edge of the beams (see figure 2).
- Use the nuts and bolts provided to properly fasten.



- Husky Bulk Storage Rack is engineered to offer maximum flexibility as well as ease and quickness of assembly. The rack units can stand individually, or for greater stability, be joined together using the common post.
- Individual beams can be adjusted without disturbing the beams in adjoining units.
- These instructions should be followed exactly. All parts supplied must be used as shown. Any alteration or deviation from this instruction sheet can result in unit failure.
- After the unit is assembled, it must be placed on a level surface for safety, and optimal product performance.

Thank You. We appreciate the trust and confidence you have placed in Husky through the purchase of this shelf storage rack.

Should you have any comments, damage, missing parts, or problems with this unit please contact our Husky Manufacturing Facility at 773-475-3137 or service@edsal.com and request Quality Service.

To obtain replacement parts please provide the following: Model Number, Part Number & Description, Location & Date Purchased.

To purchase additional Storage products please visit www.HomeDepot.com

MADE IN CHINA