



SYMMONS® Sereno™

Lavatory Faucet SLS-4312

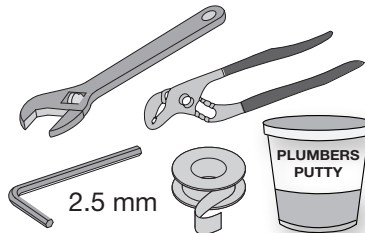
Installation and Service Instructions



Model Numbers

SLS-4312 Chrome finish
 SLS-4312-STN Satin Nickel finish

Tools & Materials

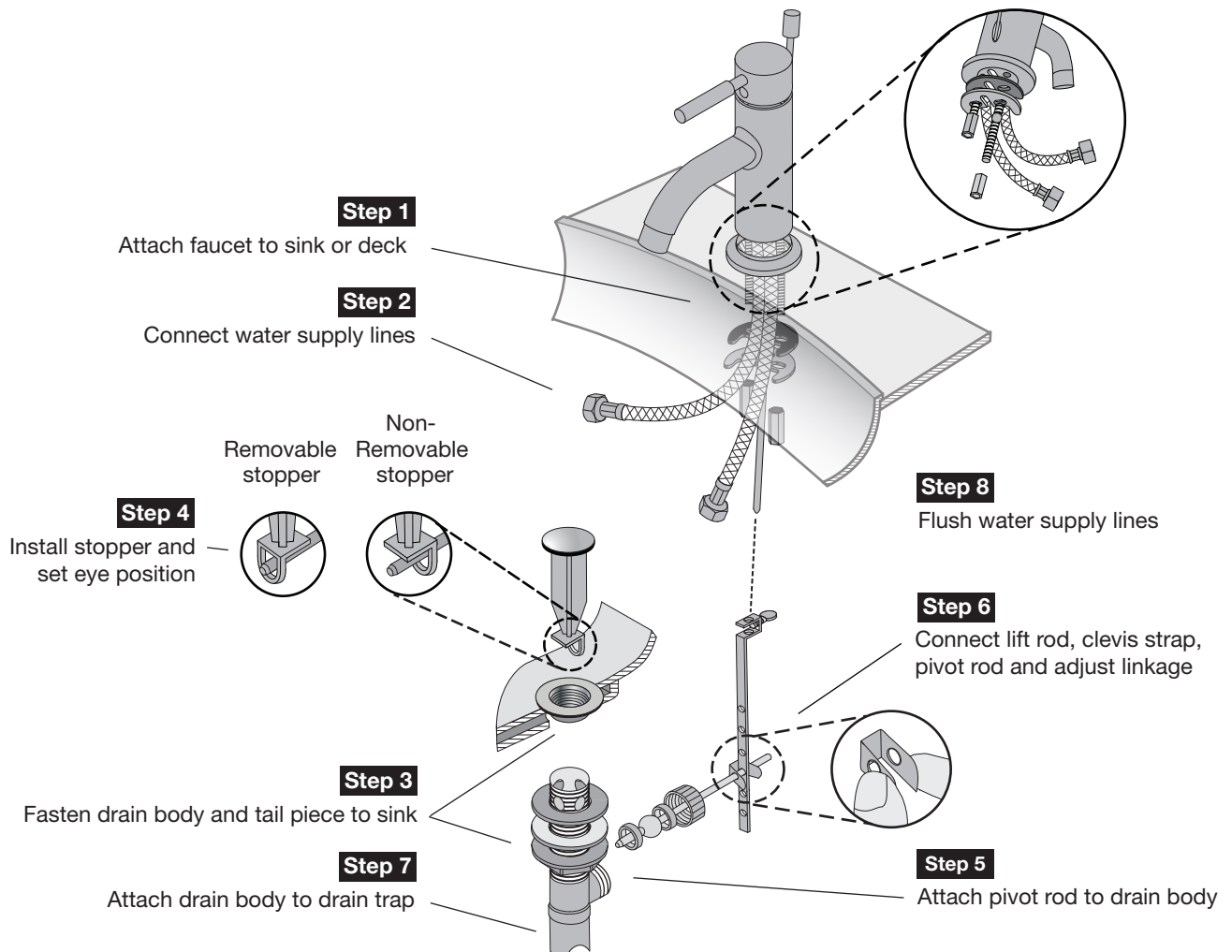


☎ Need Help?

Contact Symmons customer service at
 (800) 796-6667, (781) 848-2250
 Email: customerservice@symmons.com
 Monday - Friday 8:00 am - 7:30 pm EST

💻 Please check Symmons website
 for technical help, the latest product
 information and warranty policy.
www.symmons.com/service

Quick Install Guide Sereno Lavatory Faucet, SLS-4312

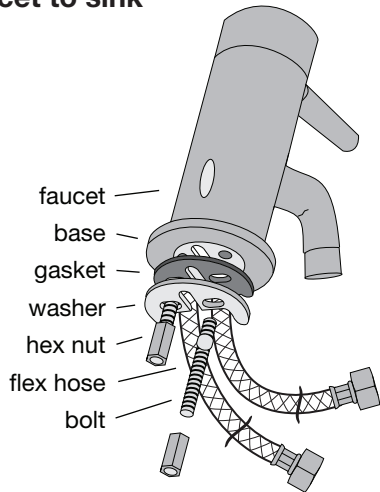


Installation Instructions

Caution: If replacing an older faucet ensure water supply is turned OFF before removing. Then open faucet valves to relieve water pressure.

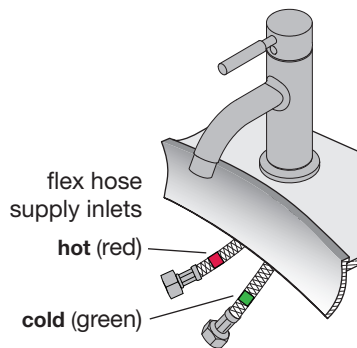
Step 1 Attach faucet to sink

- Screw short threaded end of mounting *bolt* into bottom of *faucet* until stop is reached.
- Insert *faucet*, *bolts*, and *flex hoses* through center of *base* and mounting hole.
- Slide *gasket* and *washer* over *bolts* under sink and fasten with *hex nuts*.
- Center *faucet* in sink mounting hole and tighten *hex nuts*.



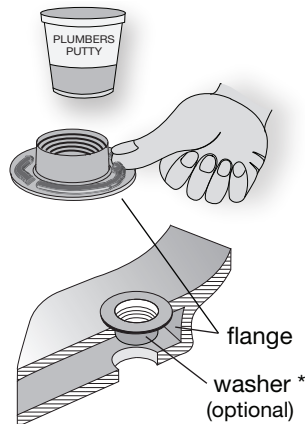
Step 2 Connect water supply lines

- Plumb hot water supply to *flex hose supply inlet* on left identified with a red marker and cold water to right hose identified with green or blue marker.
- Fasten to 3/8 inch compression fitting on end of *flex hose supply inlet* and tighten.
- Check for leaks if only replacing faucet and drain is already installed by first turning faucet handle to the OFF position and then turn water supply valves ON.



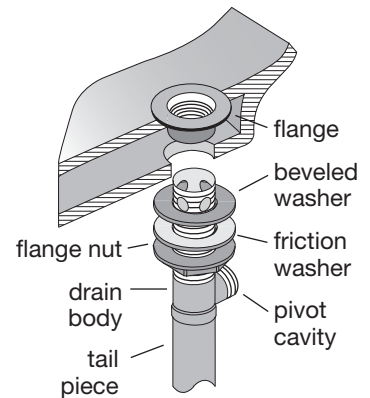
Step 3 Fasten drain body to sink

- Remove *stopper*, unscrew *flange* and remove *washer* from end of *drain body* as shipped.
- Apply plumber's putty around bottom of *flange*.
- Move *friction washer*, *beveled washer* and *flange nut* down away from end of *drain body*.
- Place *flange* in drain opening and under sink screw *drain body* up into *flange*



at least 2-3 turns until hand tight. Apply putty or teflon tape to tail piece and attach to drain body.

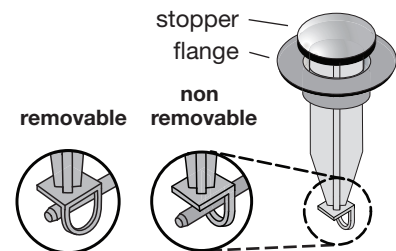
- Position *drain body* so *pivot cavity* is facing rear of sink and then slide *beveled washer* and *friction washer* up against sink.
- Tighten *flange nut* up against *friction washer* to evenly compress *beveled washer* while also ensuring *flange* is centered in drain opening. Take care not to over tighten *flange nut*.



Step 4 Install stopper and set eye position

Stopper can be installed to be removable or non-removable determined by position of eye hole when inserting pivot rod.

- Insert *stopper* through *flange* and rotate to position eye hole.

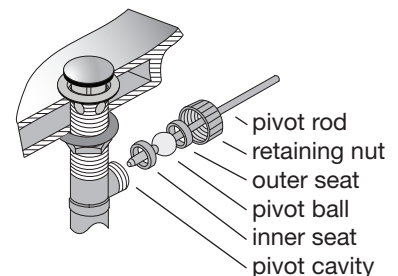


Removing stopper

When set in removable position, move pivot rod to the up position (lift rod will be in the down position when later installed). Eye hole will slide over end of pivot rod.

Step 5 Attach pivot rod to drain body

- Remove *retaining nut* and *outer seat* from *pivot cavity*.
- Insert *pivot rod* into *pivot cavity* so ball is against *inner seat* and rod passes under *stopper* according to selected eye hole position.
- Insert *outer seat* over *pivot rod* with curved edge against *pivot ball*.
- Fasten *pivot rod* to *drain body* with *retaining nut*. Tighten until ball is seated snug and *pivot rod* can move freely.



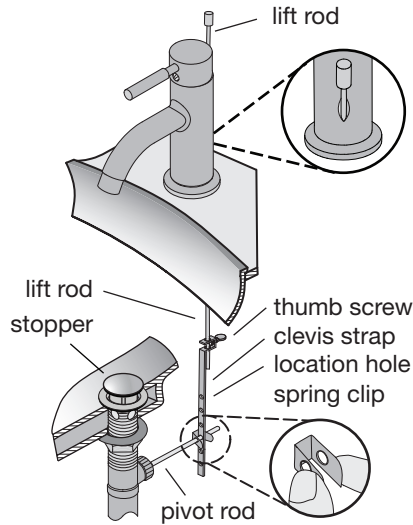
Step 6 Connect lift rod and adjust linkage

- Insert lift rod through hole on rear of water spout.
- Fasten end of pivot rod with spring clip through *location hole* in clevis strap that is best aligned to enable lift rod also

fasten to *clevis strap* when in the up position and *stopper* is in the closed position.

- Insert *lift rod* into end of *clevis strap* and fasten with *thumb screw* at location where *stopper* can be easily opened and closed.

If necessary, select another *location hole* in *clevis strap* and re-adjust *lift rod* where fastened to *clevis strap*.



Step 7 Attach drain body to drain trap

Step 8 Flush water supply lines

Thoroughly flush supply lines to prevent foreign matter, i.e. copper chips, sand, etc. from damaging the control valves.

- Remove *aerator* from end of faucet water spout.
- Move faucet handle to full ON position, open water supply valves and run long enough to flush supply lines thoroughly.
- Turn faucet OFF, replace *aerator* and check for any leaks.



Care of faucet finish

Clean finish area by using mild soap and water or non-abrasive cleaners and then rinse immediately. A non-abrasive wax may be used to preserve finish area.

Valve cartridge replacement

Step 1 Remove handle

- Pry out small *plug button*.
- Loosen *set screw* using a 2.5 mm Allen wrench.

Step 2 Remove collar

Rotate counter clockwise.

Note: *Ensure not to use any tool that could scratch finish without taking protective measures.*

Step 3 Remove fastener

Rotate counter clockwise using an adjustable wrench.

Step 4 Lift out cartridge

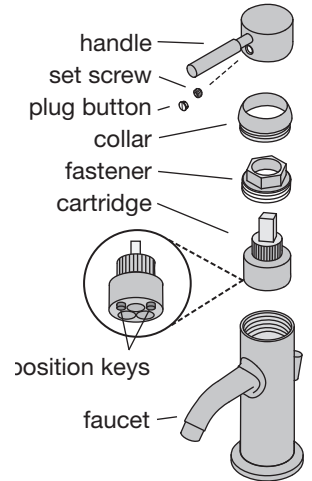
Step 5 Slide replacement cartridge into faucet

When sliding into *faucet* align and seat *position keys* on bottom of *cartridge* into location holes in base of *faucet*.

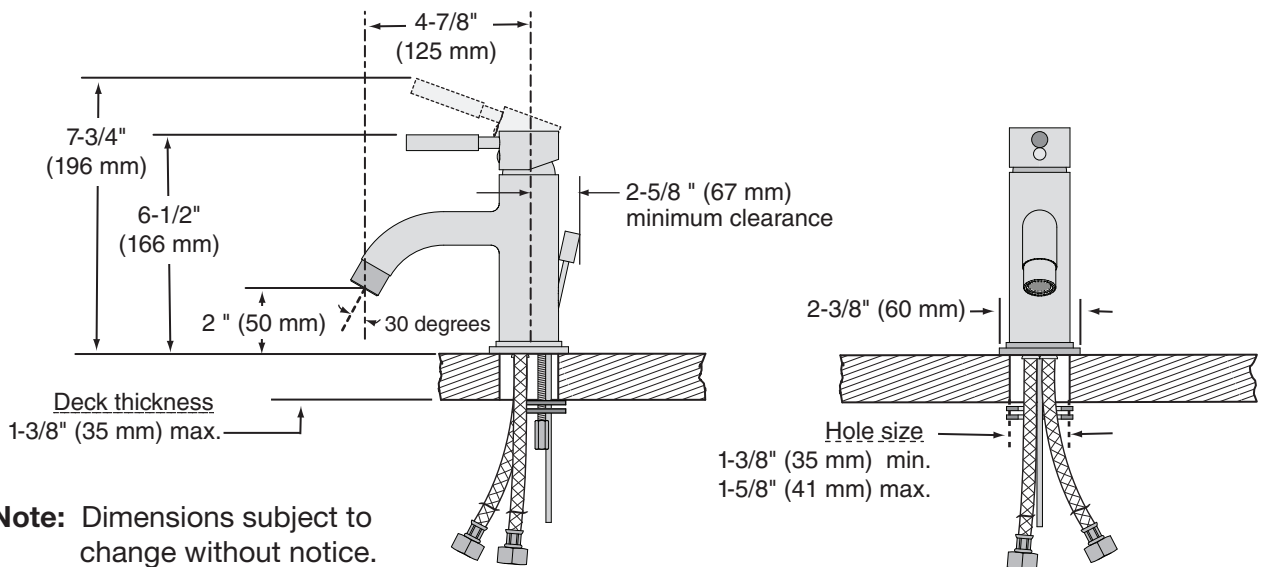
Step 6 Re-attach fastener and collar

Step 7 Attach handle

- Place *handle* onto top of *cartridge* ensuring *handle* is pointed toward center of sink.
- Tighten *set screw* using 2.5 mm Allen wrench and then press *plug button* back into screw hole.

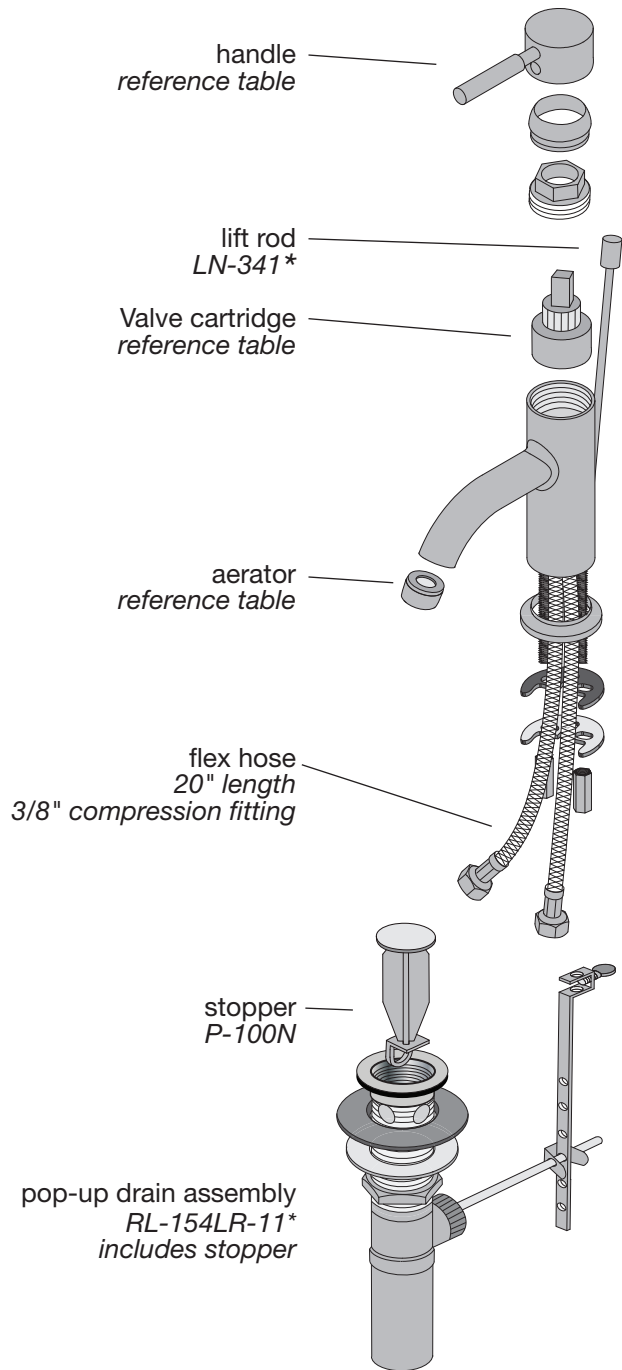


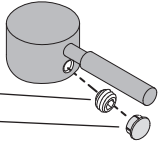
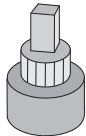

Dimensions Sereno Lavatory Faucet, SLS-4312



Note: Dimensions subject to change without notice.

Parts Assembly Sereno Lavatory Faucet SLS-4312



Replacement Parts	
Part Number	Item
RL-144*	 <p>handle set screw button plug</p> <p><i>Set screw requires 2.5 mm Allen wrench</i></p>
LN-969	 <p>valve cartridge</p>
FLR-132-2.2* FLR-101-1.5* FLR-101-1.0*	 <p><u>aerator flow rate</u> 2.2 gpm (8.3L/min) 1.5 gpm (5.7L/min) 1.0 gpm (3.8L/min)</p>

* Note: For decorative finish faucets append the appropriate suffix code letters to part numbers marked with an asterisk (*)

Ordering replacement parts:

Call Symmons customer service at (800) 796-6667, (781) 848-2250 M-F 8:00 am - 7:00 pm EST or check our website at www.symmons.com for a list of Symmons distributors.