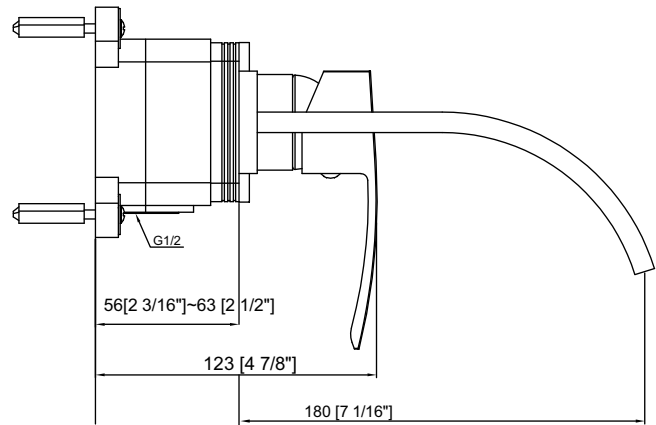
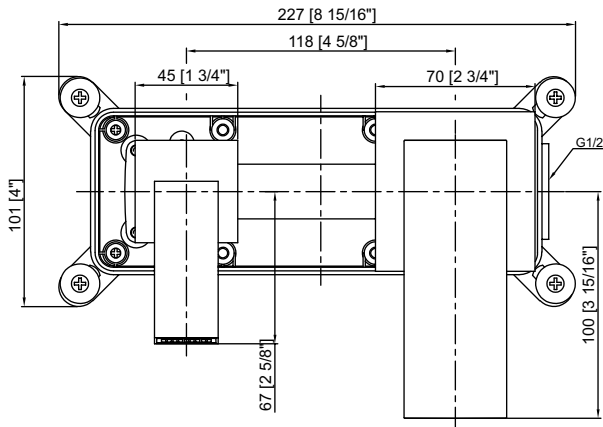




Single-Handle Wall-mounted Bathroom Faucet

81H36-*-W**



Technical Information

All product dimensions are nominal.
Valve body: Lead free brass

Spout

Spout Length: 7-1/16"

Faucet

Flow rate: 1.2 gal/min (4.5 l/min)
Pressure: 60 psi (4.1 bar)

Installation Information

Install this product according to the installation instructions.

Faucet Lifetime Limited Warranty

See website for detailed warranty information.

Italia Faucets, Inc.
2505 Anthem Village Dr, Suite E-240
Henderson, NV 89052
(877) 482-5422
For the most current Specification Sheet, go to : www.italiafaucets.com





Single-Handle Wall-mounted Bathroom Faucet

81H36-***-W

Features

- Single control wall-mounted.
- Requires single-handle ceramic valve.
- 1.2 gal/min (4.5l/min) maximum flow rate [max at 60 psi (4.1 bar)]
- Red/blue indexing on handle.
- Flexible supplies for simplified installation.

Material

- Brass construction.
- Finishing resists corrosion and tarnishing.



Installation

- Single-holes.



NSF/ANSI 61



Codes/Standards

- CUPC (ASME A112.18.1-2012/CSA B125.1-12)
- NSF/ANSI 61
- NSF/ANSI 372
All applicable US Federal and State material regulations
- EPA WaterSense®
- CEC (California Energy Commission)

Available Color/Finishes

Intended for reference only.

Color	Code	Description
	CHR	Chrome
	BN	Brush Nickel
	ORB	Oil Rubbed Bronze
	MB	Matte Black

Italia Faucets, Inc.
 2505 Anthem Village Dr, Suite E-240
 Henderson, NV 89052
 (877) 482-5422
 For the most current Specification Sheet, go to : www.italiafaucets.com

