

Model: RST18

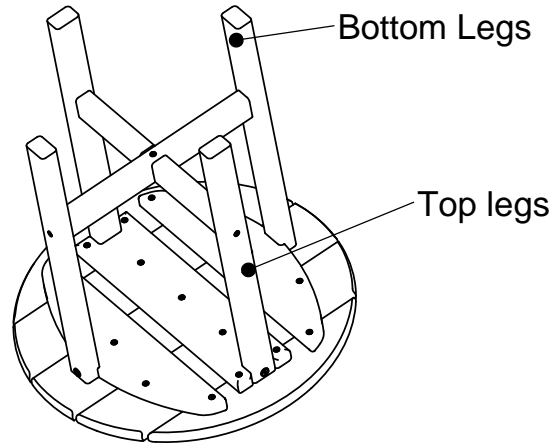
- (1) Bottom leg assembly
- (1) Top leg assembly
- (1) Table top

## TOOLS NEEDED

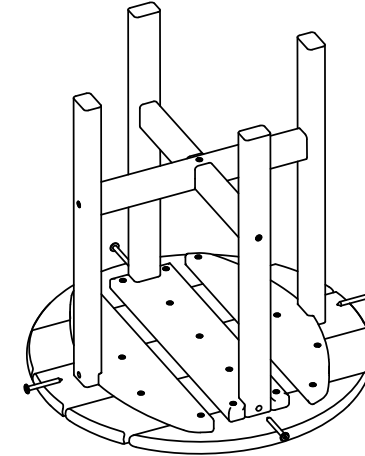


4mm Hex Key (Included)  
Phillips head screwdriver  
A screw gun is recommended

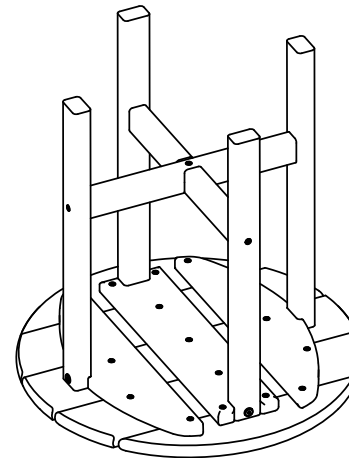
**Step 1**  
Place the leg assemblies together on the table top.



**Step 2**  
Attach the legs using (4) 14x2 Screws in pre-drilled holes.



**Step 3**  
Connect the braces using (1) 8x1¼ Screw.



Qty.	Description
4	A - .27 X 2 SOCKET WAFER A
1	B - 8 X 1-1/4 PHIL FLAT SCREW