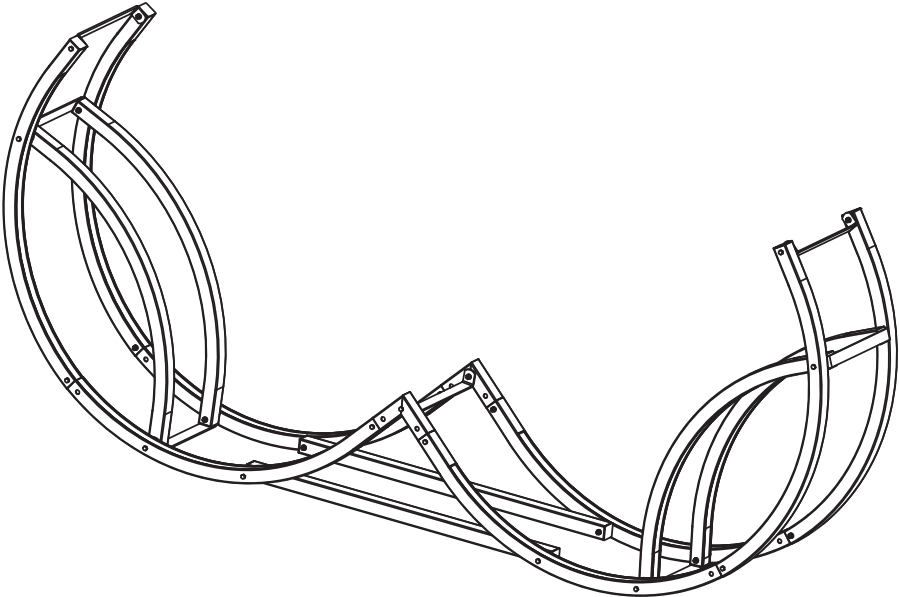


23405 8' wood Rack



Item #	Description	Drawings	Qty
1	Bottom Bend frame		4
2	Side Bend (With plastic caps)		4
3	Support Bend (With plastic caps)		4
4	Bottom tube (With plastic caps)		2
5	Rectangle Connector		2
6	Brace		7
7	Hex bolt M6x90		8
8	Hex bolt M6x85		4
9	Hex bolt M6x50		14
10	Washer M6		26
11	Lock nut M6		26+1
12	Rope		1
1308	Cover		1

Installation Instructions

Please read instructions
COMPLETELY
before assembly.



DO NOT RETURN PRODUCT TO THE STORE

Missing Parts,
Need Replacements, or
Help with Assembly

PLEASE EMAIL

Customer Service:

Service@ezgoal.net

203 933 4442
West Haven, CT 06516

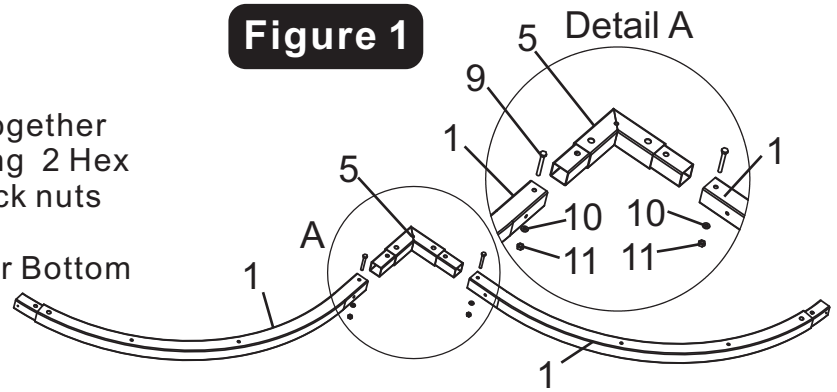
Assembly Instructions

STEP 1

Connect 2 Bottom Bend Frame (#1) together with 1 Rectangle Connector (#5), using 2 Hex bolts (#9), 2 Washers (#10), and 2 Lock nuts (#11). See Detail A.

Repeat the same process for the other Bottom Bend Frames and Connector.

Figure 1



STEP 2

Connect 1 Bottom Tube (#4) to each assembly (#1&5), using 2 Hex bolts (#8), 2 Washers (#10), and 2 Lock nuts (#11). See Detail B.

Connect 2 finished assemblies together with 1 Brace (#6) using 2 hex bolts (#9), 2 Washers (#10), and 2 Lock nuts (#11). See Detail C.

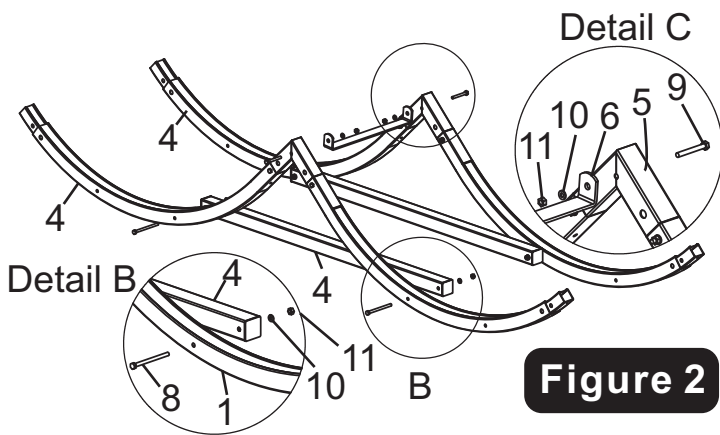


Figure 2

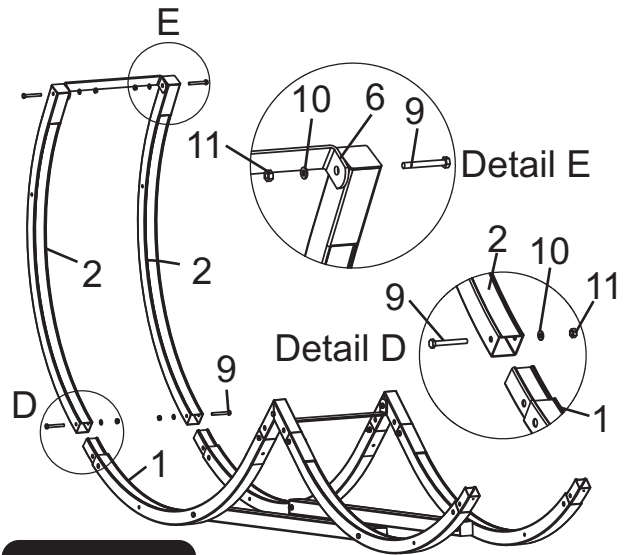


Figure 3

STEP 3

Slide Side Bend (#2) onto Bottom Bend Frame (#1), secure it with 1 Hex bolt (#9), 1 Washer (#10), and 1 Lock nut (#11) each. See Detail D.

Connect the top end of Side Bend (#2) together with one Brace (#6) using 2 hex bolts (#9), 2 Washers (#10), and 2 Lock nuts (#11). See Detail E.

Repeat same process for the other side. Do not tighten at this time.

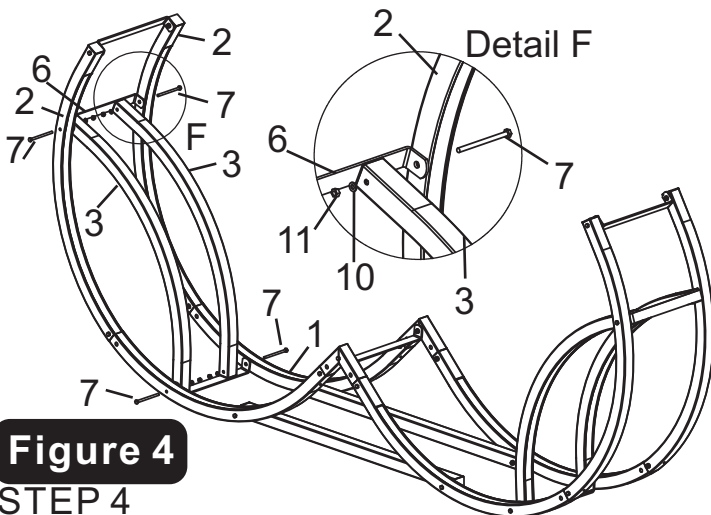


Figure 4

STEP 4

Connect Support Bend (#3) to the Assembly, using 8 Hex bolts (#7), 8 Washers (#10), and 8 Lock nuts (#11). See Detail F.

Note: Make sure Brace (#6) go between Side Bend (#2) and Support Bend (#3). Tighten all the bolts and nuts used in the above steps.

STEP 5

Tie Rope (#12) to Side Bends in the front only (#2), This will make the snow and rain slide off easy and makes the cover look better on the log rack.

